



US00D580760S

(12) **United States Design Patent**
Costa Quintas

(10) **Patent No.:** **US D580,760 S**
(45) **Date of Patent:** **** Nov. 18, 2008**

(54) **TRIGGER SPRAYER**

Primary Examiner—Susan B Hattan

(75) Inventor: **Lluis Costa Quintas**, Hacienda Heights,
CA (US)

(57) **CLAIM**

I claim an ornamental design for a trigger sprayer, as shown
and described.

(73) Assignee: **Meadwestvaco Calmar, Inc.**,
Grandview, MO (US)

(**) Term: **14 Years**

DESCRIPTION

(21) Appl. No.: **29/284,931**

FIG. 1 is a front-perspective view of a trigger sprayer showing
my new design;

(22) Filed: **Sep. 18, 2007**

FIG. 2 is a side view of the trigger sprayer shown in FIG. 1;

(51) **LOC (8) Cl.** **09-07**

FIG. 3 is a side view of the trigger sprayer shown in FIG. 1;

(52) **U.S. Cl.** **D9/448**

FIG. 4 is a front view of the trigger sprayer shown in FIG. 1;

(58) **Field of Classification Search** D9/688,
D9/686, 685, 682, 448, 447; D23/238, 226,
D23/213; 222/402.15, 383.1, 153.11, 153.02
See application file for complete search history.

FIG. 5 is a rear view of the trigger sprayer shown in FIG. 1;

FIG. 6 is a top view of the trigger sprayer shown in FIG. 1;

FIG. 7 is a bottom view of a trigger sprayer shown in FIG. 1;

FIG. 8 is a rear-perspective view of the trigger sprayer shown
in FIG. 1; and,

FIG. 9 is a perspective view of a bottle combined with the
trigger sprayer shown in FIG. 1.

The broken lines in the drawings depict unclaimed elements
of the trigger sprayer and environmental subject matter only
and form no part of the claimed design.

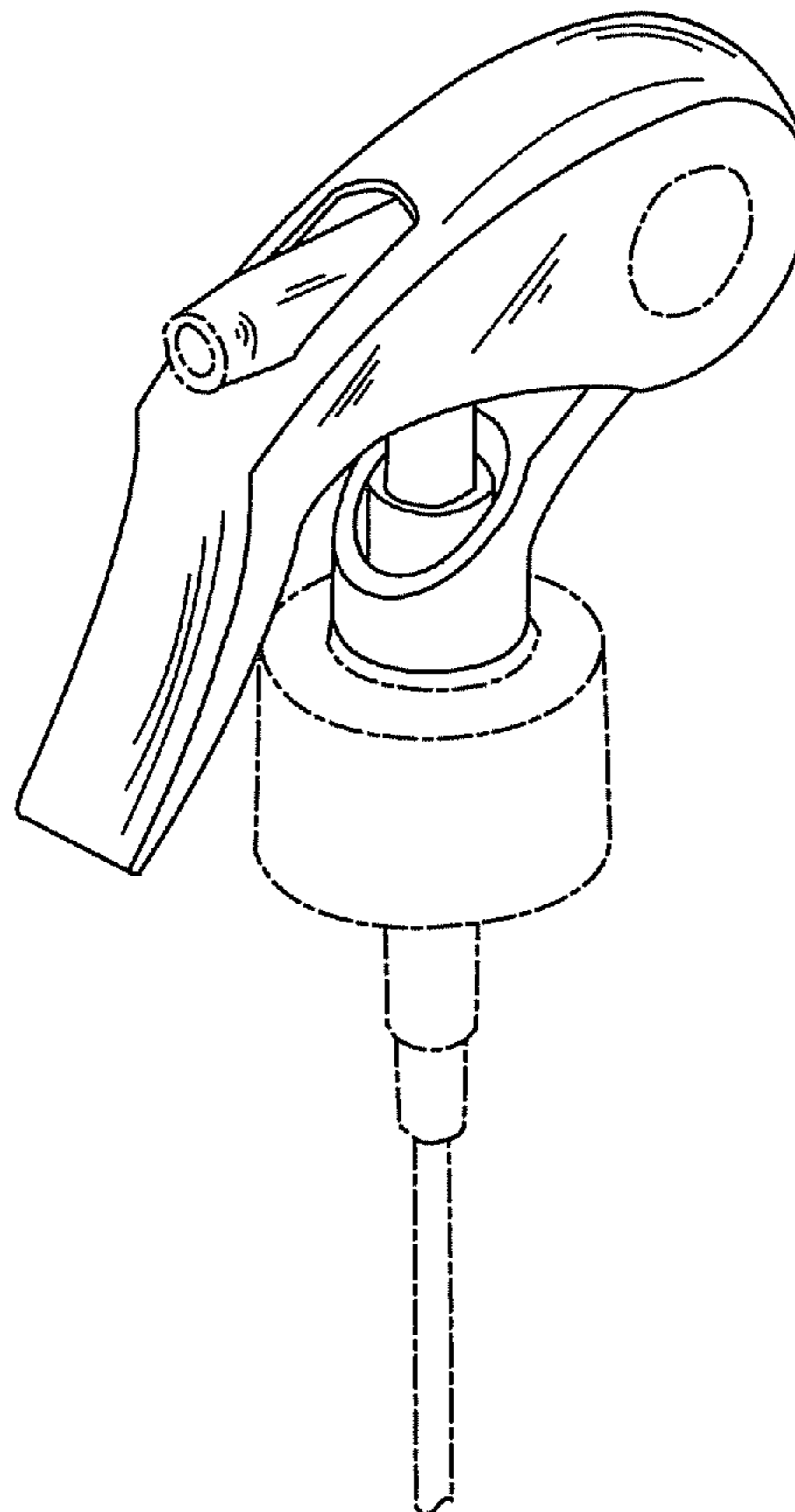
(56) **References Cited**

U.S. PATENT DOCUMENTS

D525,123 S *	7/2006	Walters et al.	D9/448
D532,299 S *	11/2006	Kuo	D9/448
7,249,692 B2 *	7/2007	Walters et al.	222/153.11
D573,021 S *	7/2008	Ohshima	D9/448
D573,463 S *	7/2008	Ohshima	D9/448

* cited by examiner

1 Claim, 7 Drawing Sheets



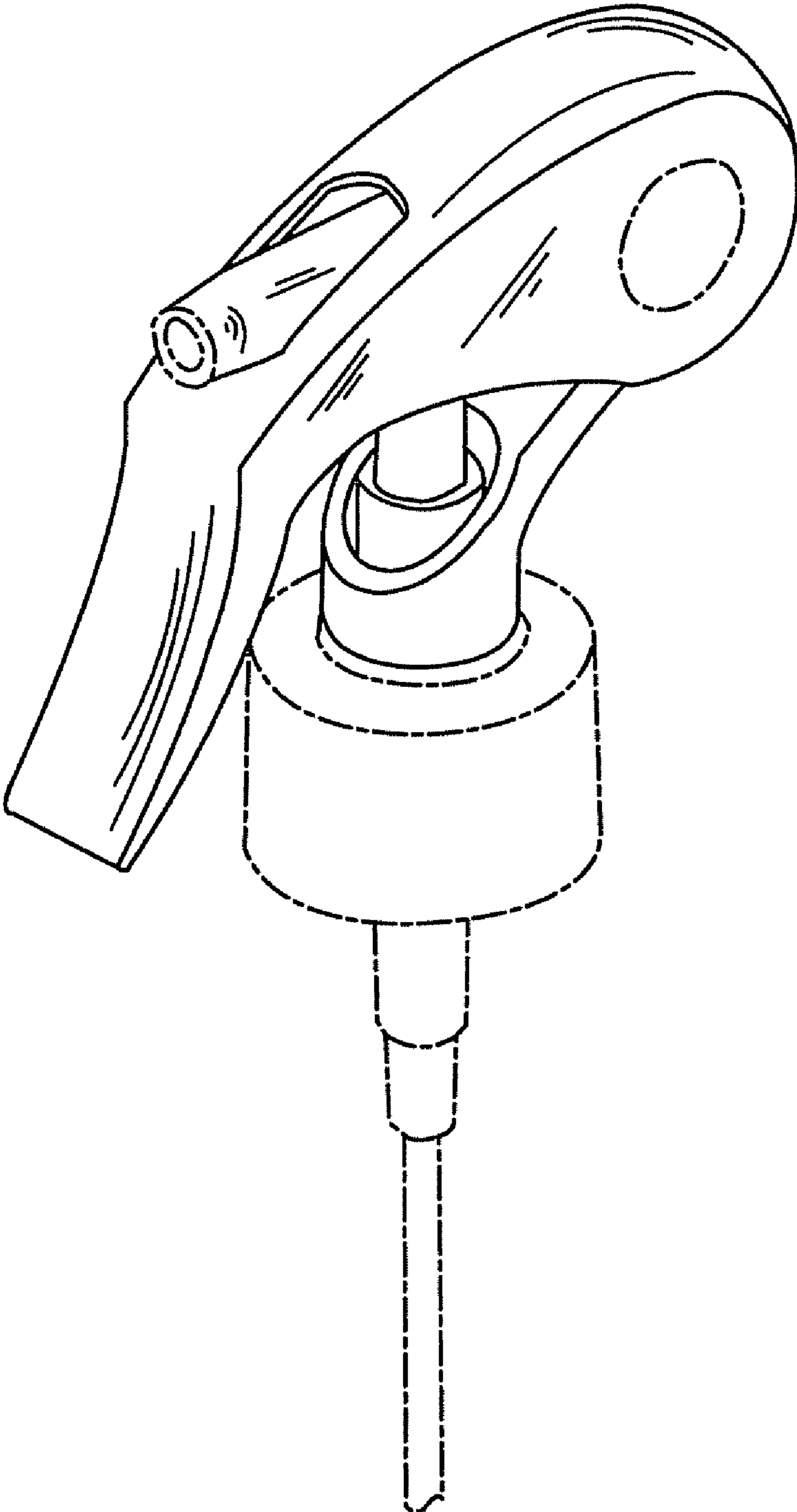


FIG. 1

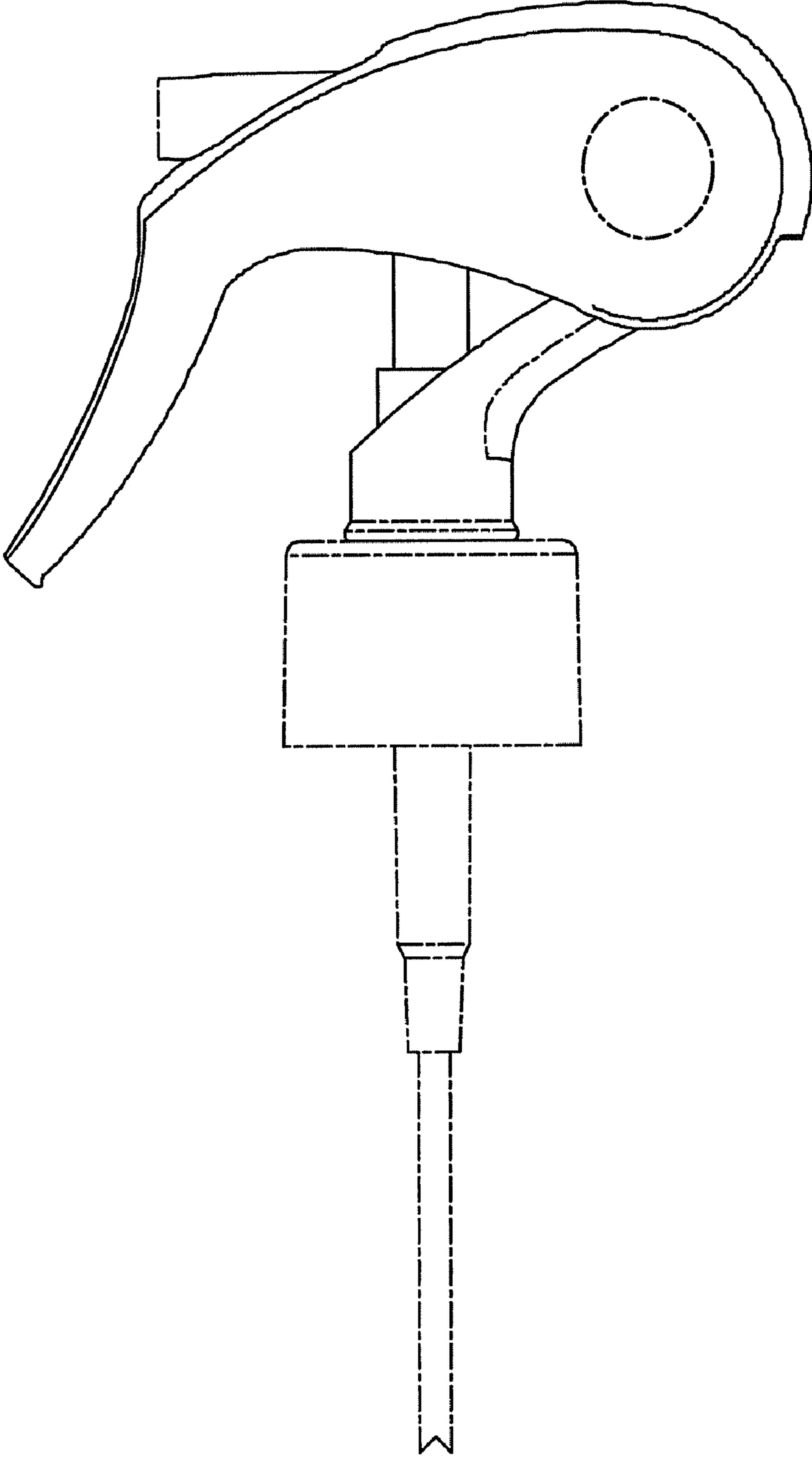


FIG. 2

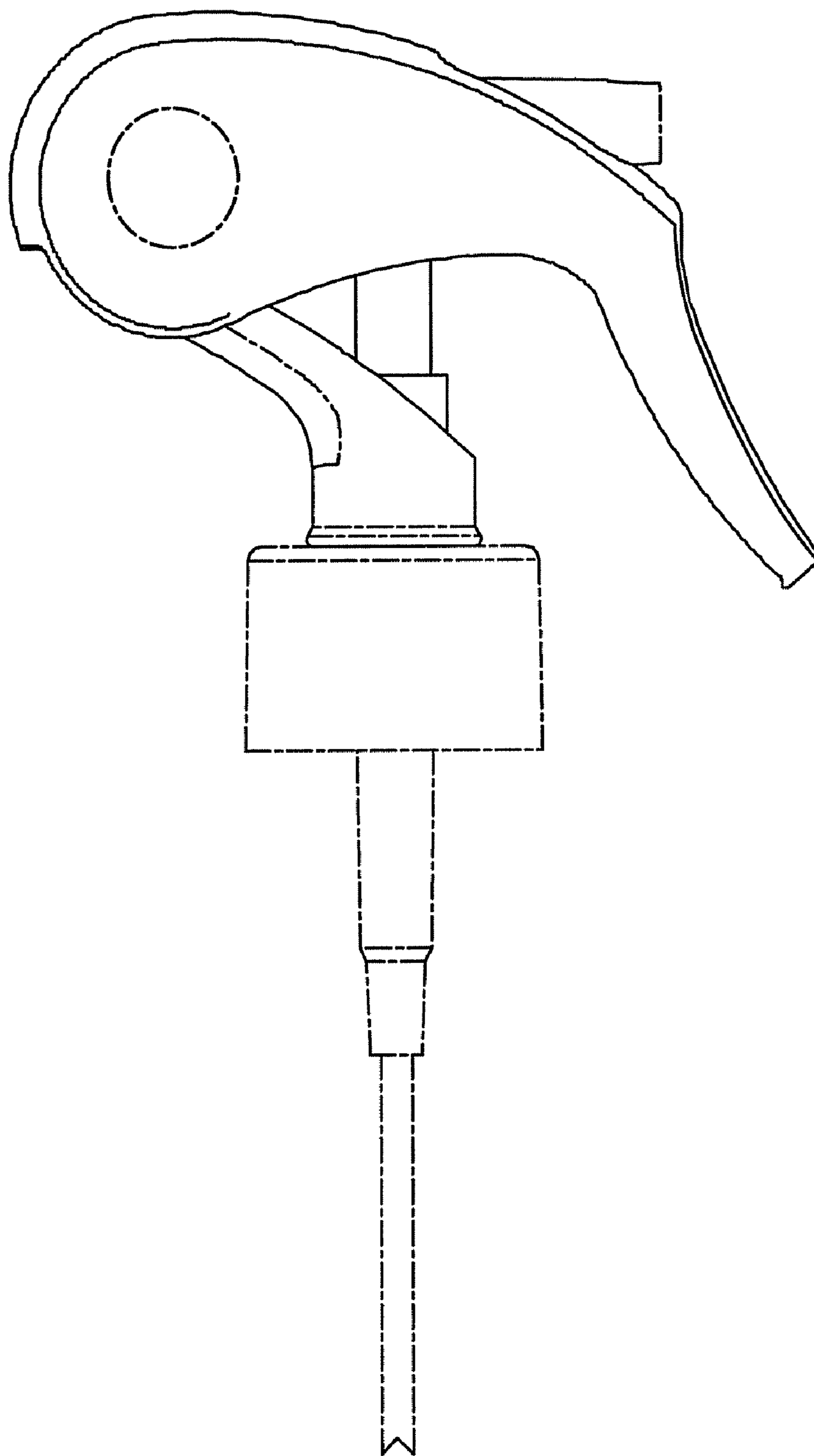


FIG. 3

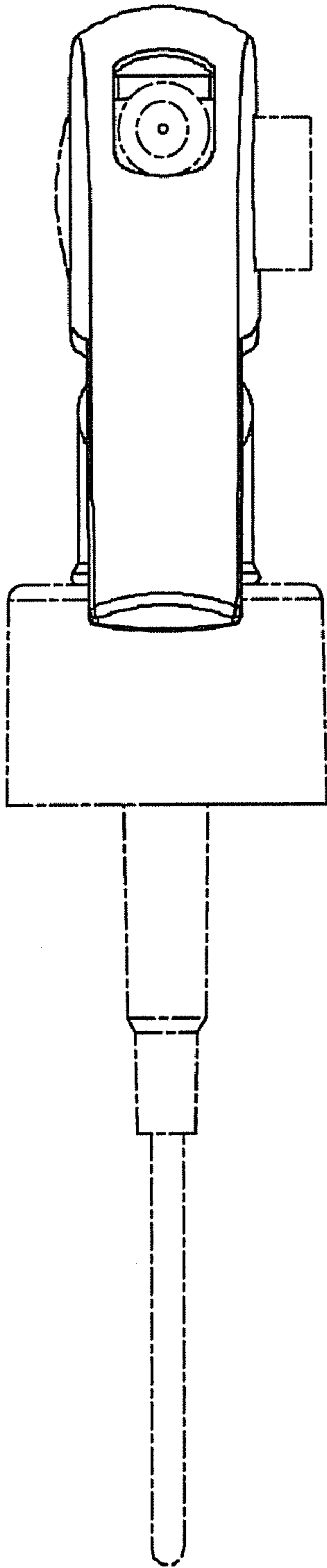


FIG. 4

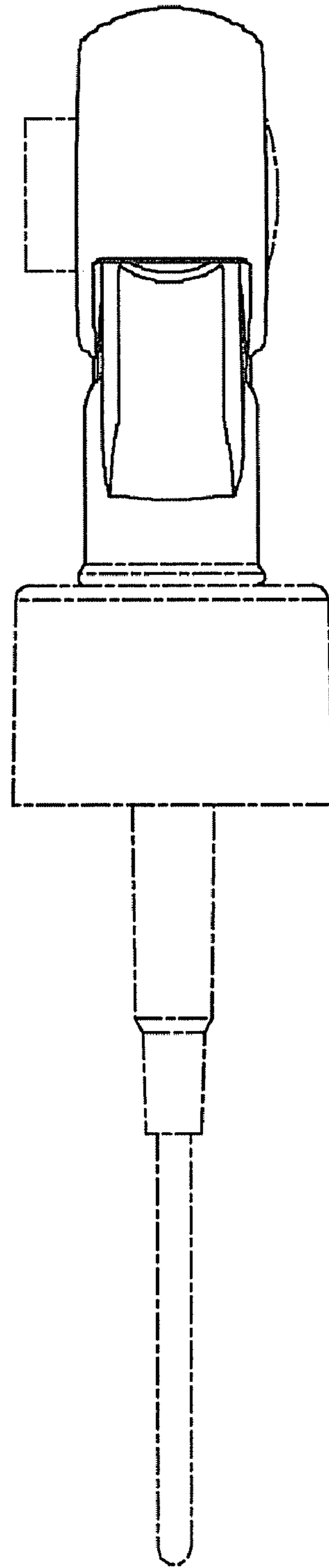


FIG. 5

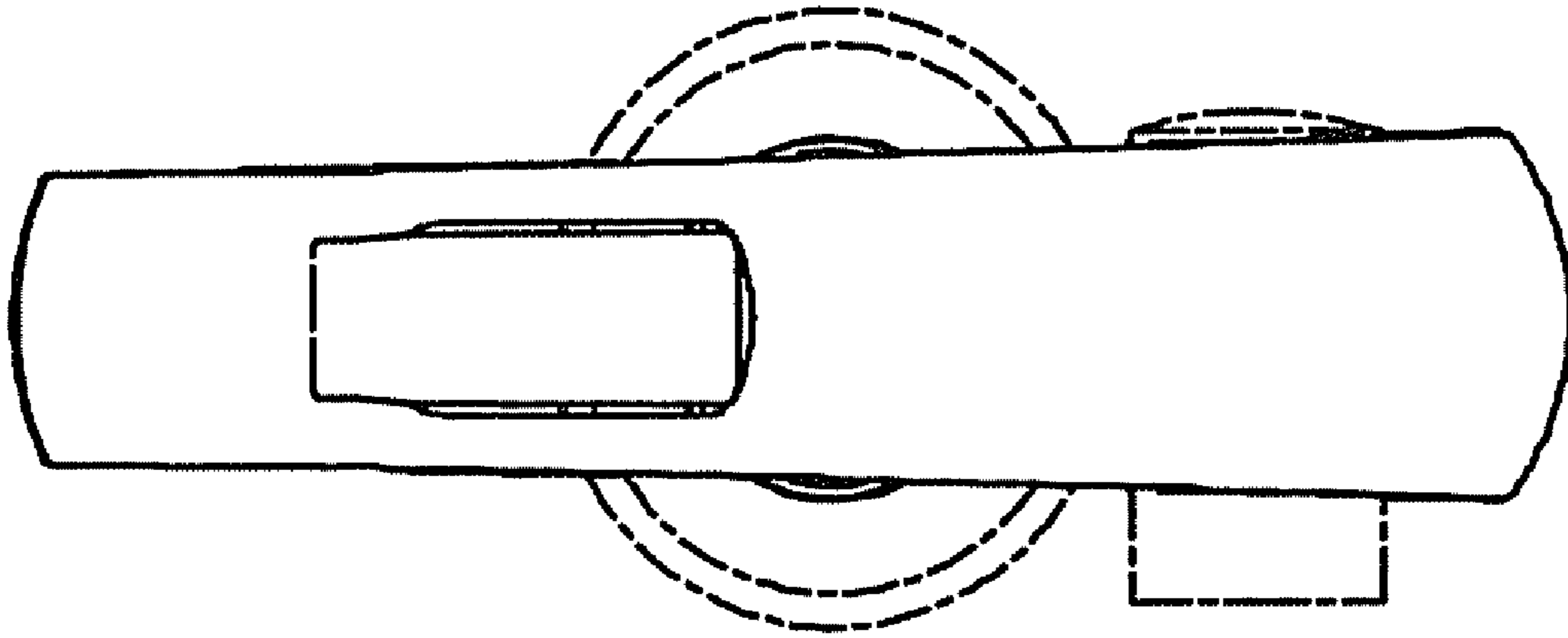


FIG. 6

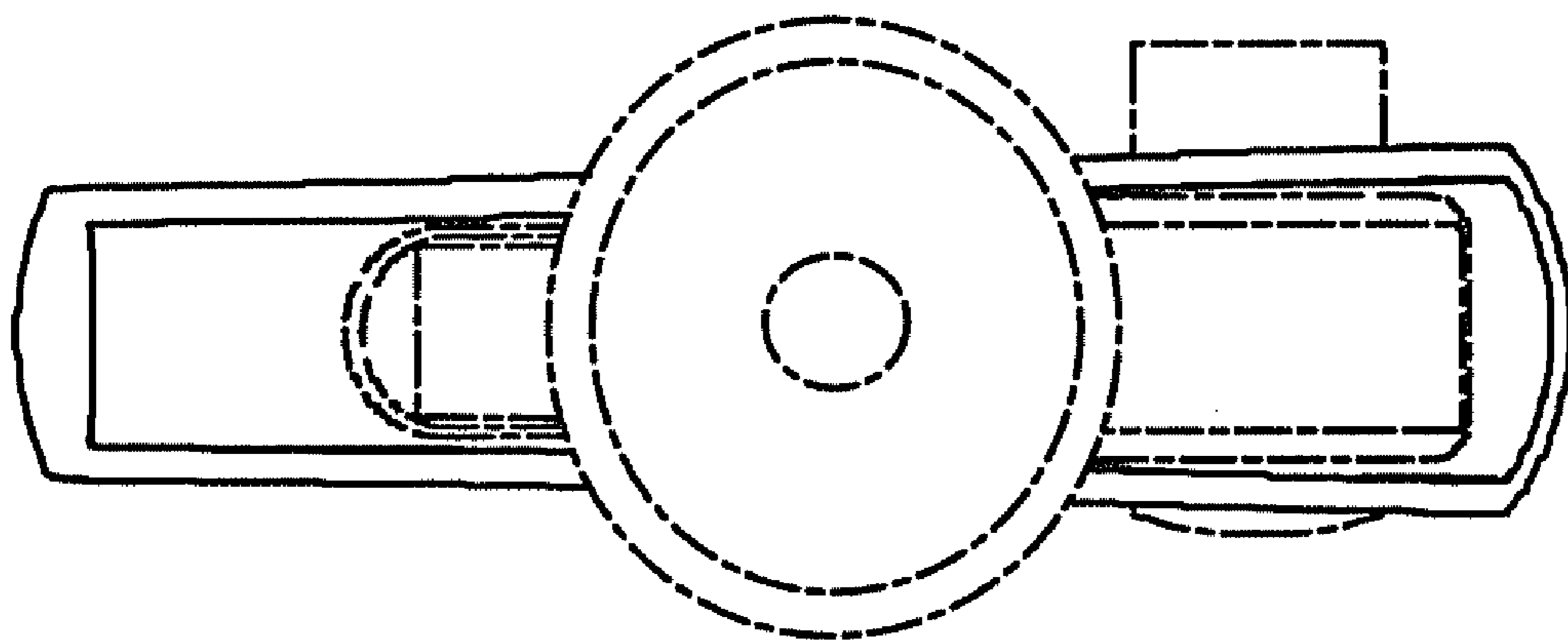


FIG. 7

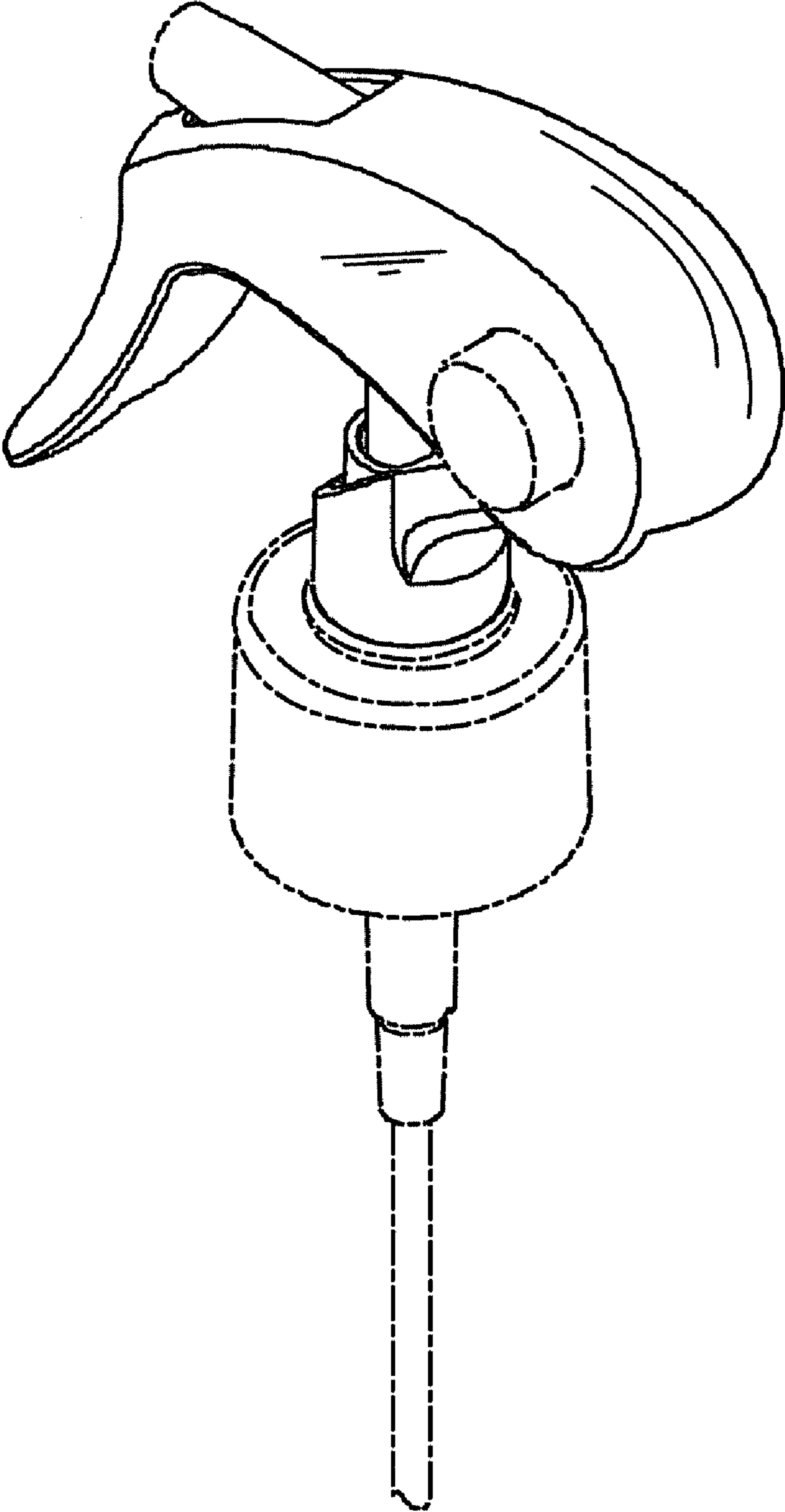


FIG. 8

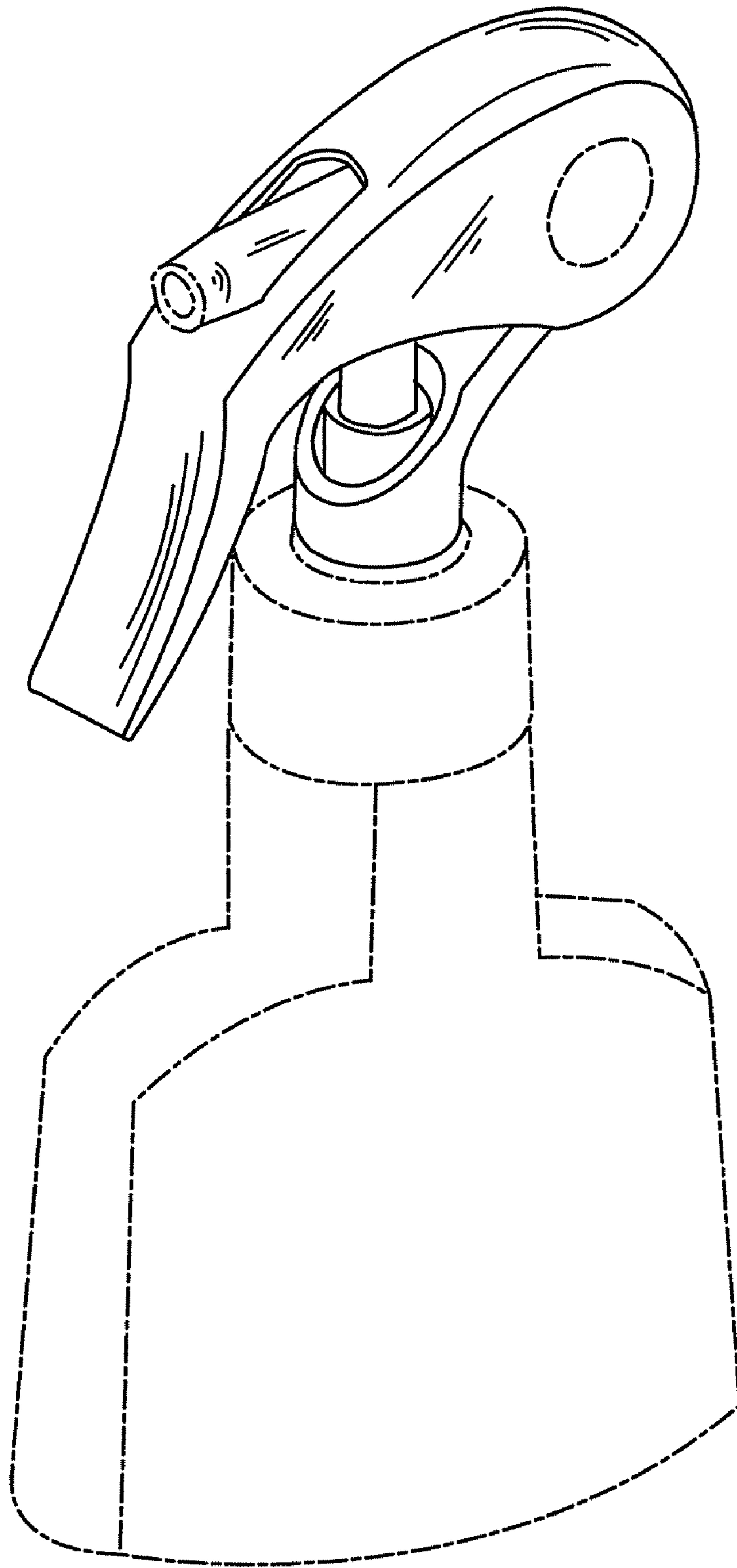


FIG. 9