



US00D580759S

(12) **United States Design Patent**
Sweeton et al.

(10) **Patent No.:** **US D580,759 S**
(45) **Date of Patent:** **** Nov. 18, 2008**

(54) **SPRAYER SHROUD**

(75) Inventors: **Steve L. Sweeton**, Lake Winnebago, MO (US); **David L. Dejong**, Ogden, UT (US)

(73) Assignee: **MeadWestvaco Calmar, Inc.**, Grandview, MO (US)

(**) Term: **14 Years**

(21) Appl. No.: **29/275,443**

(22) Filed: **Dec. 27, 2006**

(51) **LOC (8) Cl.** **09-07**

(52) **U.S. Cl.** **D9/448**

(58) **Field of Classification Search** D9/682,
D9/448, 447, 435, 434; D6/542; D23/227,
D23/226, 213; 222/255, 251, 383.3, 383.1,
222/382

See application file for complete search history.

(56) **References Cited**

U.S. PATENT DOCUMENTS

- D256,946 S * 9/1980 Campbell et al. D23/226
- D326,707 S * 6/1992 Silvenis et al. D23/226
- D327,222 S * 6/1992 Fuchs D9/435
- D332,652 S * 1/1993 Foster et al. D23/226
- D352,546 S * 11/1994 Silvenis et al. D23/226
- D354,226 S * 1/1995 Foster et al. D9/448
- D357,408 S * 4/1995 Silvenis et al. D9/448
- D358,198 S * 5/1995 Wadsworth D23/226
- D366,692 S * 1/1996 Wadsworth D23/213
- D377,602 S * 1/1997 Wadsworth D9/448
- D381,581 S * 7/1997 Wadsworth D9/448
- D385,492 S * 10/1997 Foster et al. D9/448
- D394,007 S * 5/1998 Foster et al. D9/448
- D394,009 S * 5/1998 Foster et al. D9/448
- D396,265 S * 7/1998 Alvern D23/227
- D400,102 S * 10/1998 Tada D9/448
- D406,762 S * 3/1999 Durliat D9/448
- D409,487 S * 5/1999 Wadsworth et al. D9/448
- D409,915 S * 5/1999 Durliat et al. D9/448
- D409,917 S * 5/1999 Wadsworth et al. D9/448
- D419,875 S * 2/2000 Wadsworth et al. D9/448

- D419,876 S * 2/2000 Keung D9/448
- D421,388 S * 3/2000 Cummings D9/448
- D422,216 S * 4/2000 Brozell D9/448
- D422,913 S * 4/2000 Brozell D9/448
- D423,934 S * 5/2000 Brozell D9/448
- D424,939 S * 5/2000 Fan et al. D9/448
- D433,943 S 11/2000 Keung et al.
- D435,448 S * 12/2000 Trepina et al. D9/448
- D437,785 S 2/2001 Fan et al.
- D439,164 S 3/2001 Keung et al.
- D442,088 S * 5/2001 Trepina et al. D9/448
- D454,306 S * 3/2002 Sweeton et al. D9/434
- 6,367,665 B1 * 4/2002 Barriac et al. 222/383.3
- D479,305 S * 9/2003 Zittel et al. D23/226
- 6,669,058 B1 * 12/2003 Sweeton 222/153.13

(Continued)

Primary Examiner—Gary D. Watson

Assistant Examiner—Susan B Hattan

(74) *Attorney, Agent, or Firm*—Gordon & Jacobson, PC

(57) **CLAIM**

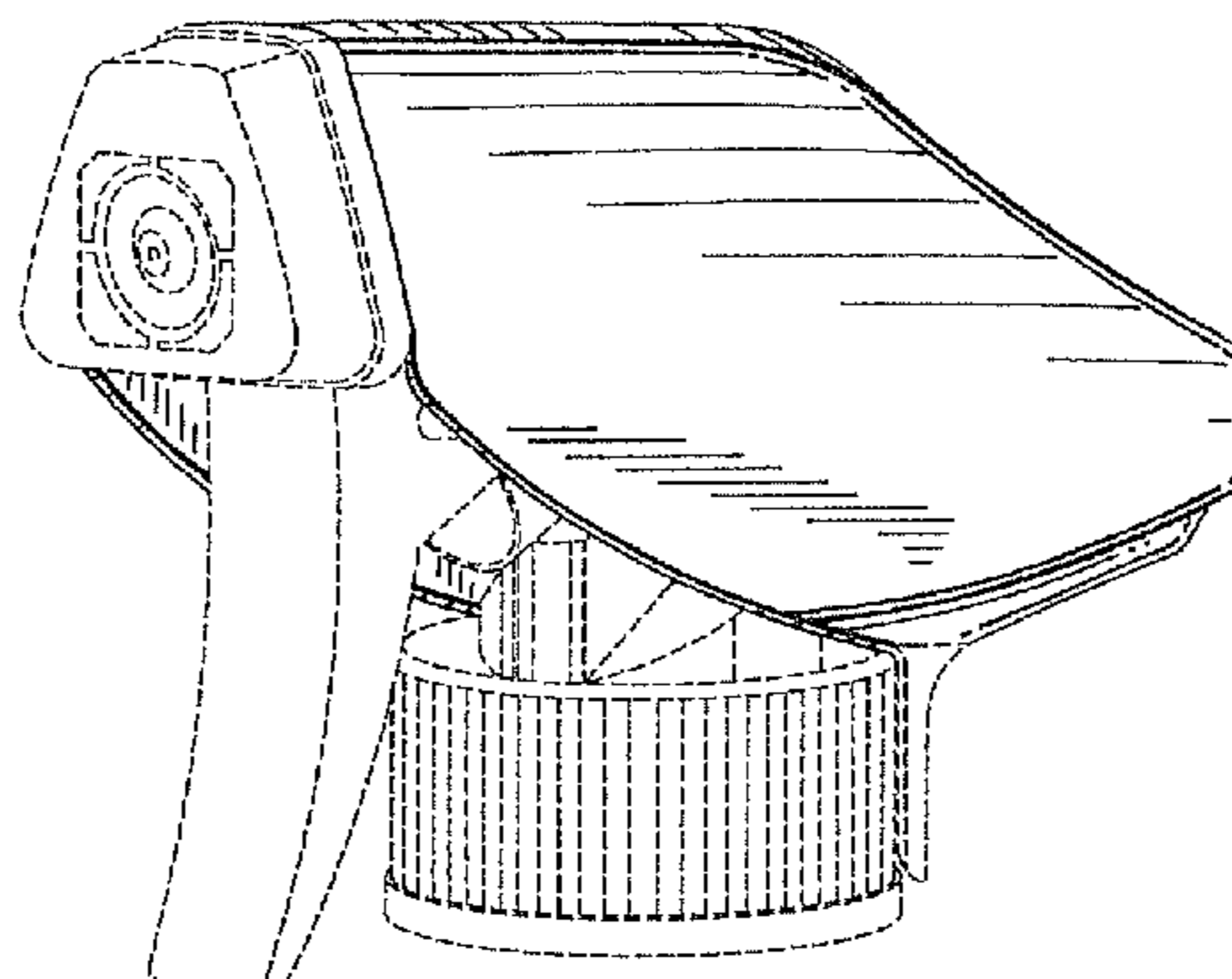
The ornamental design for a sprayer shroud, as shown and described.

DESCRIPTION

FIG. 1 is a front side perspective view of a sprayer shroud;
FIG. 2 is a back side perspective view of the sprayer shroud;
FIG. 3 is a top view of the sprayer shroud;
FIG. 4 is a side view of the sprayer shroud, the other side being a mirror image thereof;
FIG. 5 is a front view of the sprayer shroud; and,
FIG. 6 is a rear view of the sprayer shroud.

The broken line immediately adjacent to the shaded area on the rear bottom of the shroud represents the bounds of the claim and all other broken lines depict environmental subject matter only. None of the broken lines form a part of the claimed design.

1 Claim, 3 Drawing Sheets



US D580,759 S

Page 2

U.S. PATENT DOCUMENTS

D488,536 S *	4/2004	Yean	D23/226	D530,201 S *	10/2006	Sweeton	D9/448
D494,866 S *	8/2004	Guala	D9/448	D535,560 S *	1/2007	Sweeton	D9/448
D495,399 S *	8/2004	Guala	D23/213	D541,652 S *	5/2007	Arminak	D9/448
D499,024 S *	11/2004	Sweeton	D9/448	7,219,848 B2 *	5/2007	Sweeton	239/102.2
D506,808 S *	6/2005	Huang	D23/223	2002/0070245 A1 *	6/2002	Barriac et al.	222/382
D508,852 S *	8/2005	Arminak	D9/448	2002/0070246 A1 *	6/2002	Barriac et al.	222/382
D519,371 S *	4/2006	Hornsby et al.	D9/448	2002/0092872 A1 *	7/2002	Barriac et al.	222/383.3
7,032,777 B2 *	4/2006	Good et al.	222/1	2005/0082311 A1 *	4/2005	Good et al.	222/1
D520,872 S *	5/2006	Paas et al.	D9/448	2006/0091160 A1 *	5/2006	Sweeton	222/333
D525,124 S *	7/2006	Sweeton	D9/448	2006/0153707 A1 *	7/2006	Sweeton et al.	417/411
D525,524 S *	7/2006	Sweeton	D9/448	2007/0215724 A1 *	9/2007	Sweeton	239/525

* cited by examiner

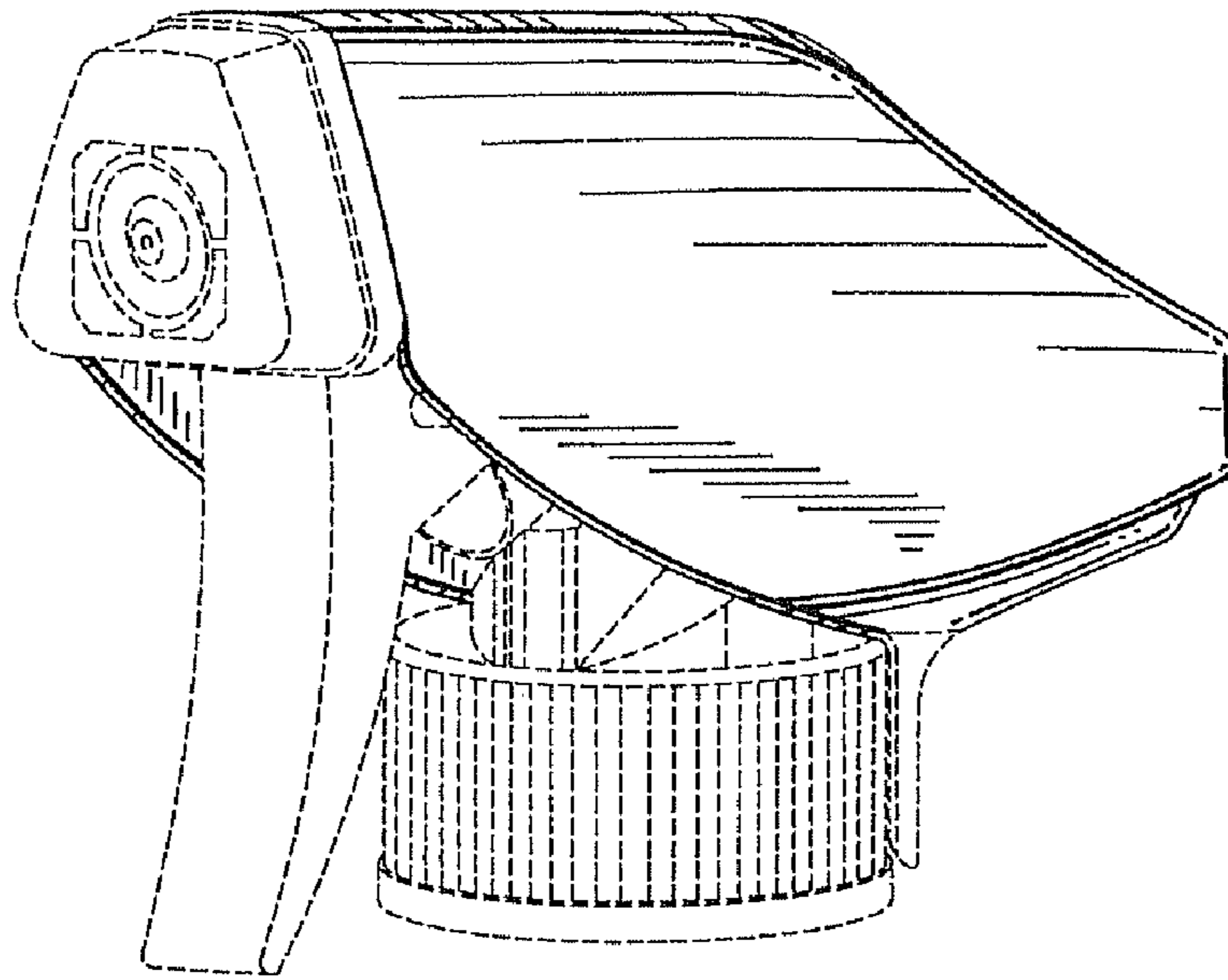


FIG. 1

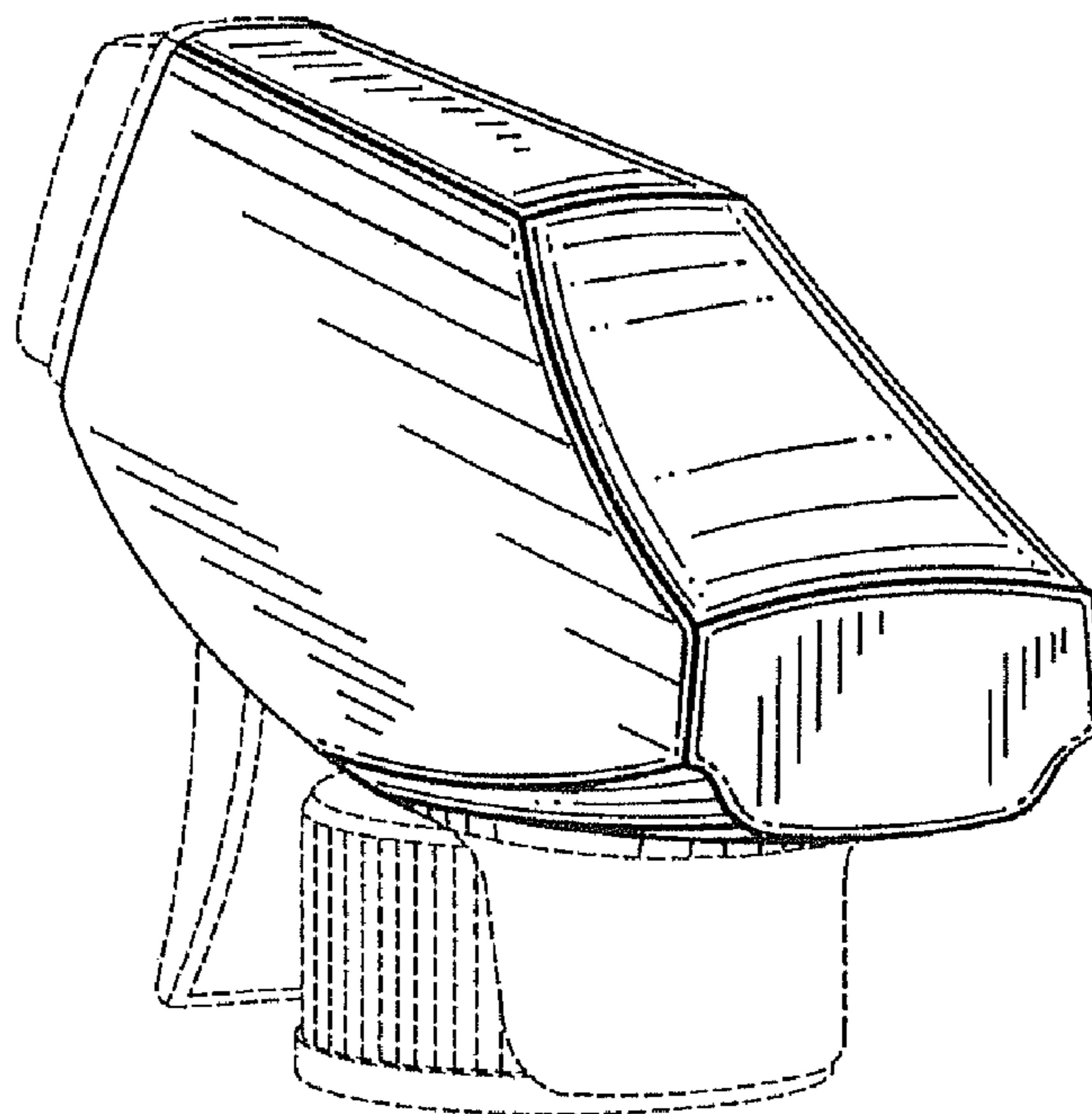


FIG. 2

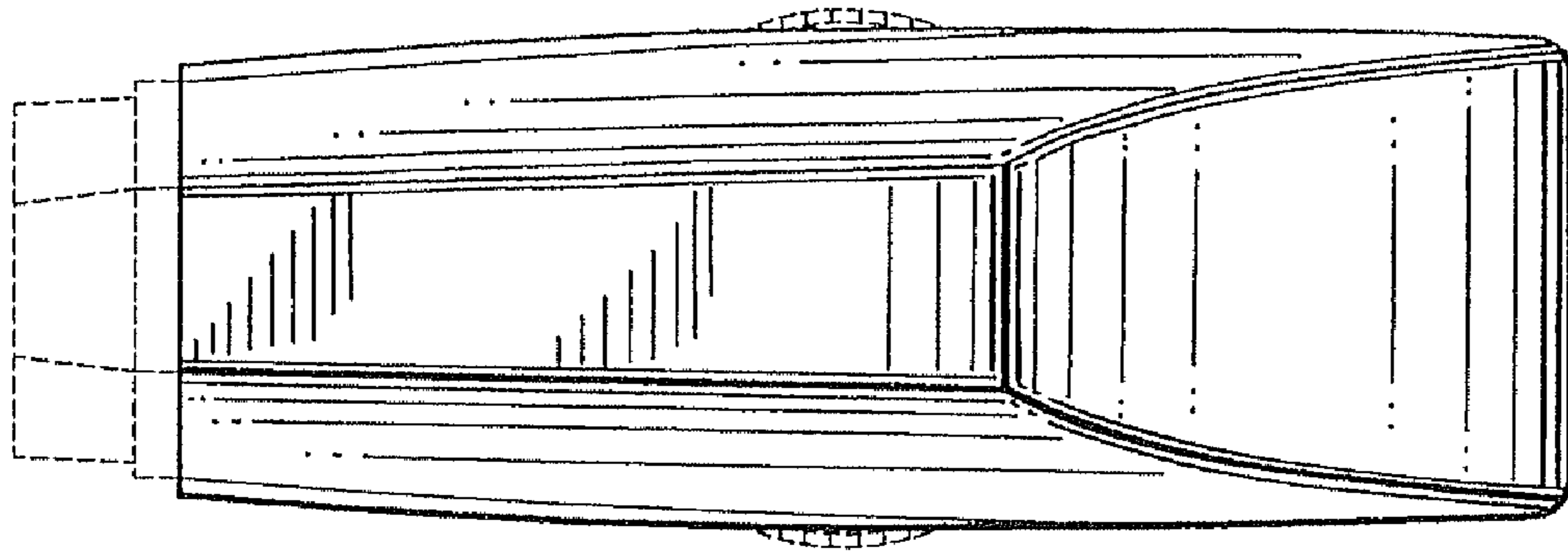


FIG. 3

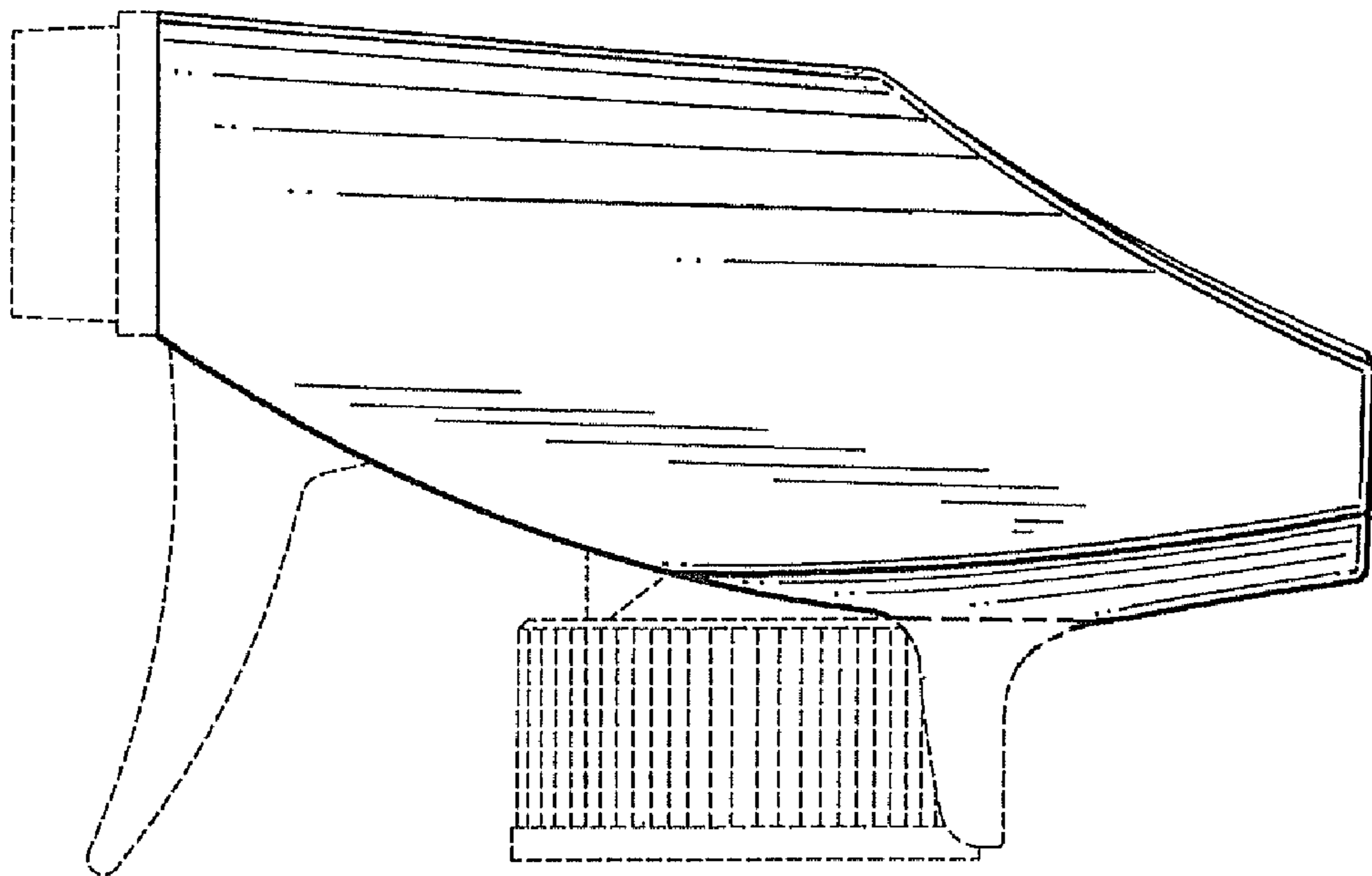


FIG. 4

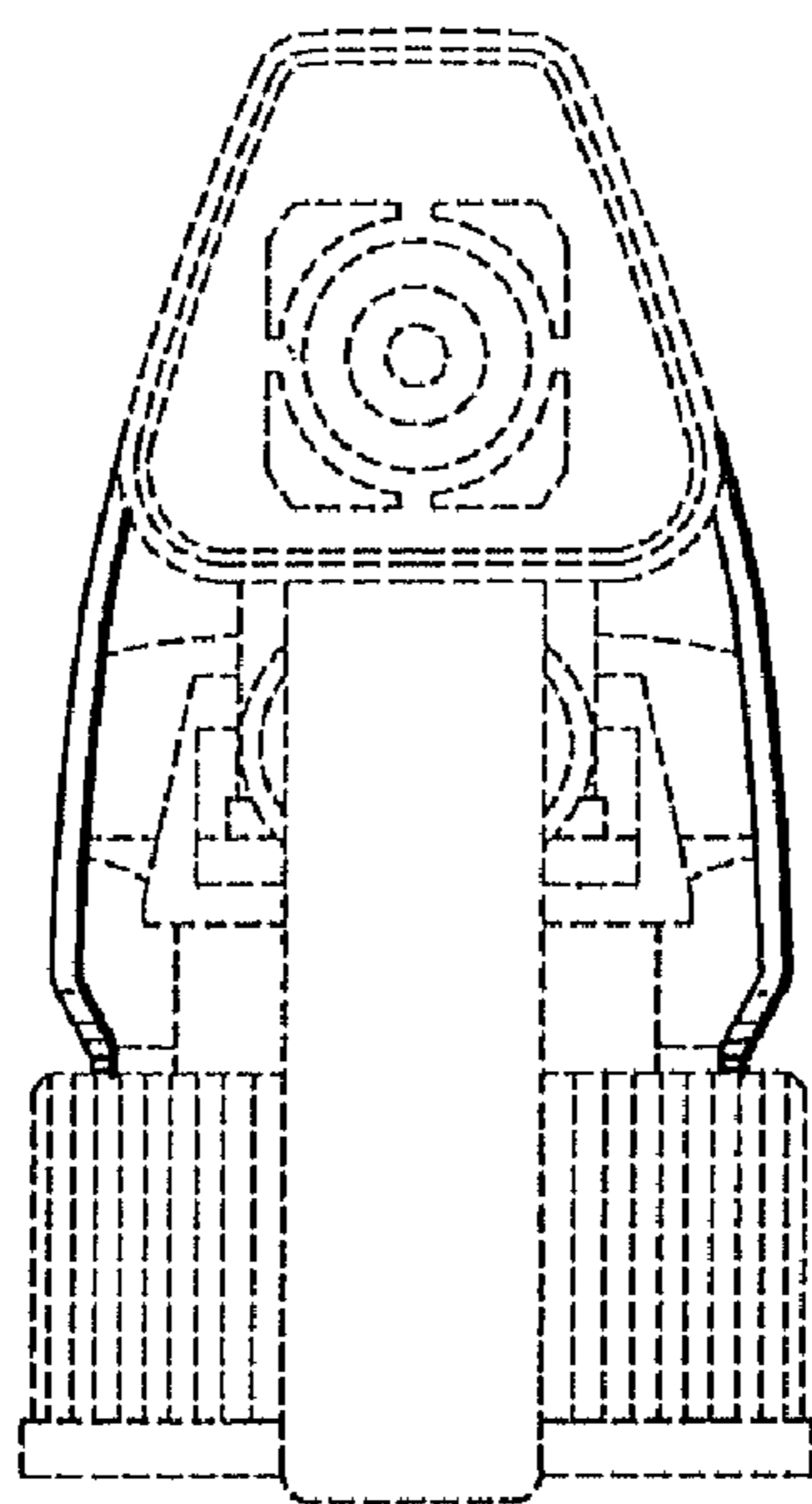


FIG. 5

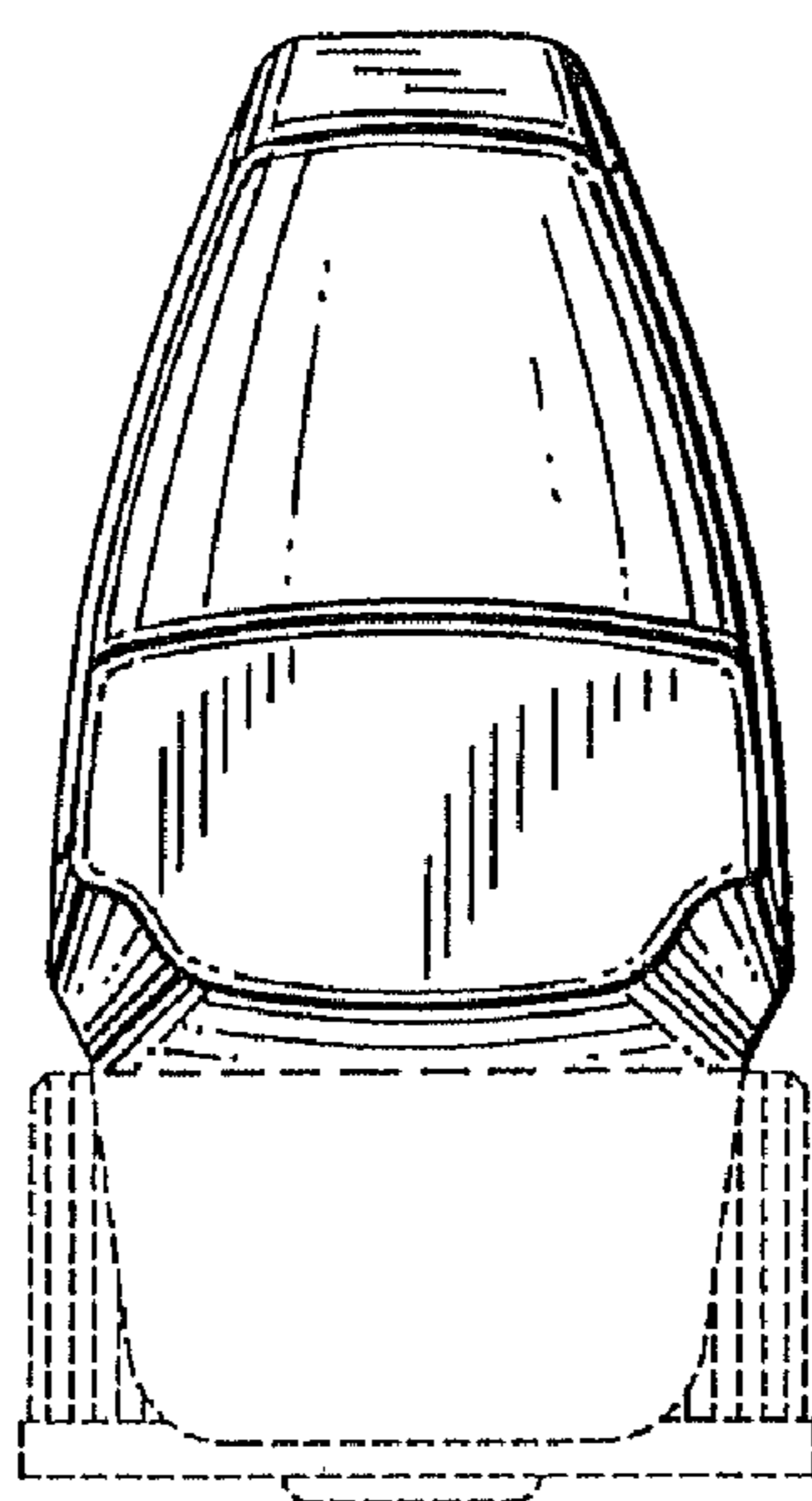


FIG. 6