



US00D580758S

(12) **United States Design Patent**
Lacov

(10) **Patent No.:** **US D580,758 S**

(45) **Date of Patent:** **** Nov. 18, 2008**

(54) **SOAP BAG FITMENT**

(75) Inventor: **Sean Lacov**, Boca Raton, FL (US)

(73) Assignee: **Sunbeam Products, Inc.**, Boca Raton, FL (US)

(**) Term: **14 Years**

(21) Appl. No.: **29/305,735**

(22) Filed: **Mar. 27, 2008**

(51) **LOC (8) Cl.** **09-07**

(52) **U.S. Cl.** **D9/447; D9/435**

(58) **Field of Classification Search** D9/504,
D9/449, 447, 440, 435, 434, 446, 441, 439,
D9/697, 453; 222/546; 220/834, 839, 375;
215/306, 277, 258, 252, 275

See application file for complete search history.

(56) **References Cited**

U.S. PATENT DOCUMENTS

D410,845 S *	6/1999	Anderson	D9/447
6,273,307 B1 *	8/2001	Gross et al.	222/566
6,439,429 B1 *	8/2002	Gross	222/92
D476,565 S *	7/2003	Rosen	D9/447
D489,978 S *	5/2004	Brown	D9/440

6,860,406 B2 *	3/2005	Kobetsky et al.	222/92
7,232,042 B2 *	6/2007	Last	222/1
D566,547 S *	4/2008	Lacov	D9/435
D574,241 S *	8/2008	Braukmann et al.	D9/453
2005/0150917 A1 *	7/2005	Dicks et al.	222/566

* cited by examiner

Primary Examiner—Susan B Hattan

(74) *Attorney, Agent, or Firm*—Seth Blum

(57) **CLAIM**

The ornamental design for a soap bag fitment, as shown and described.

DESCRIPTION

FIG. 1 is a top front left perspective view of the soap bag fitment showing the new design;

FIG. 2 is a front elevation view thereof;

FIG. 3 is a left side elevation view thereof;

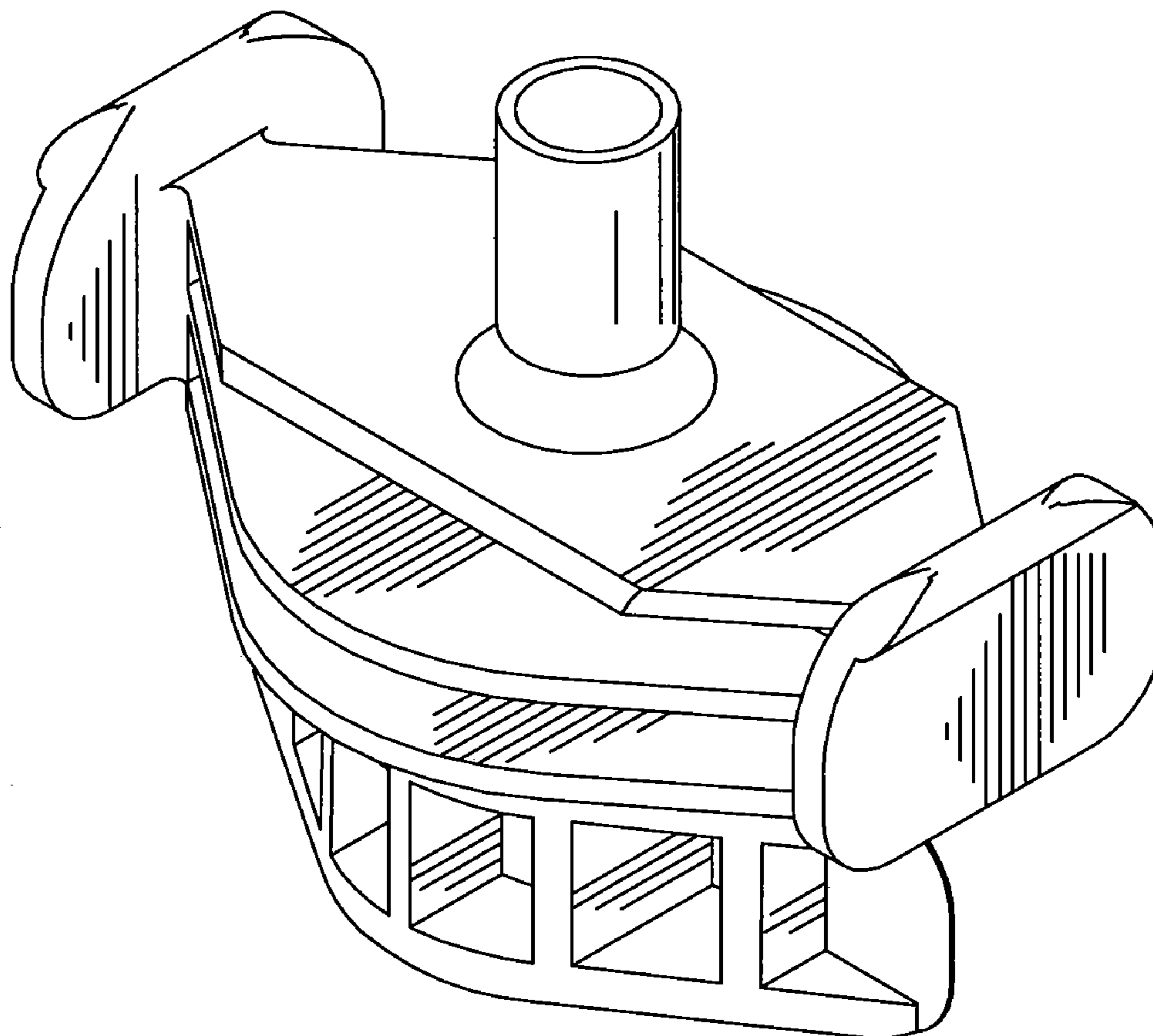
FIG. 4 is a rear elevation view thereof;

FIG. 5 is a right side elevation view thereof;

FIG. 6 is a top plan view thereof; and,

FIG. 7 is a bottom plan view thereof.

1 Claim, 7 Drawing Sheets



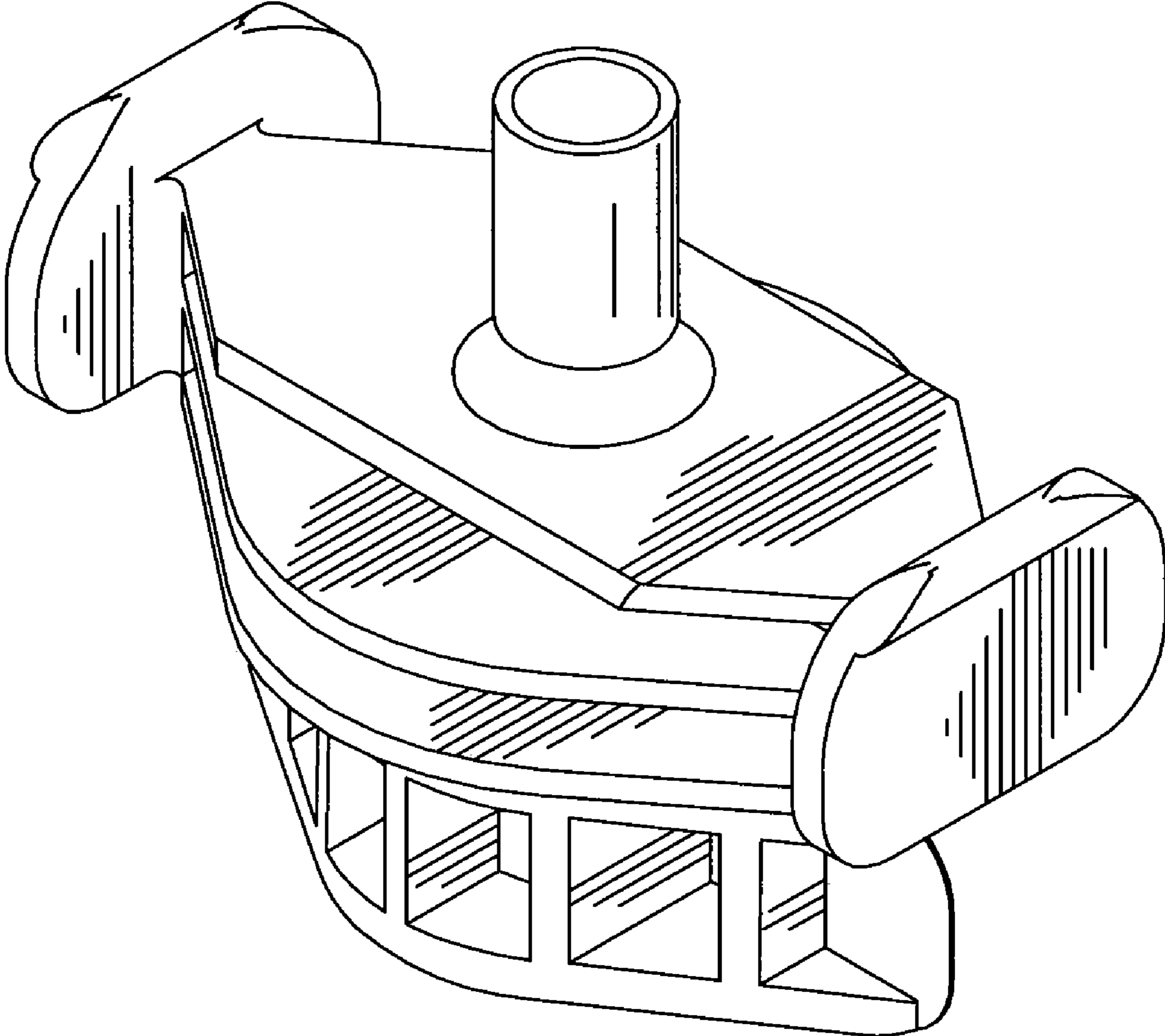


FIG 1

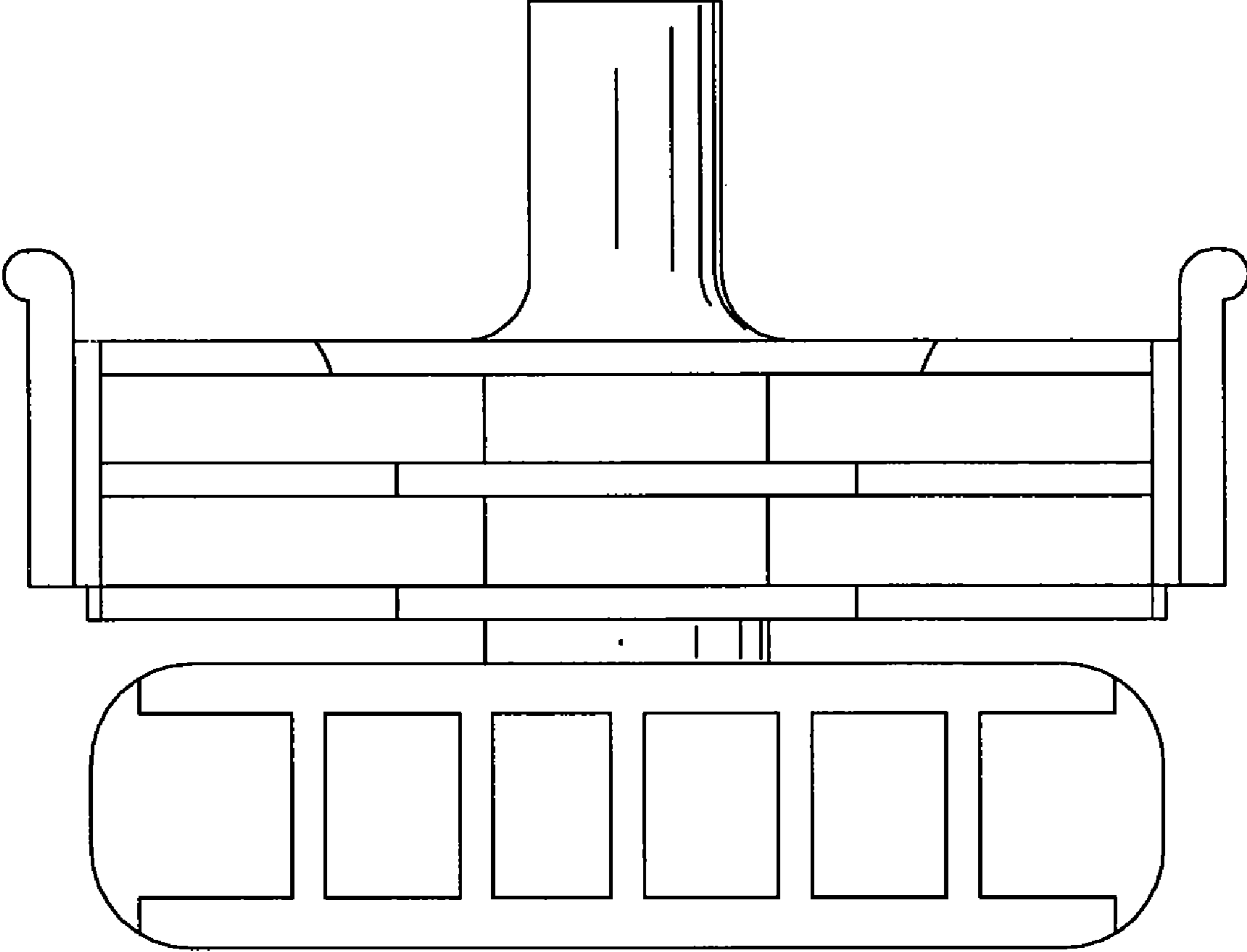


FIG 2

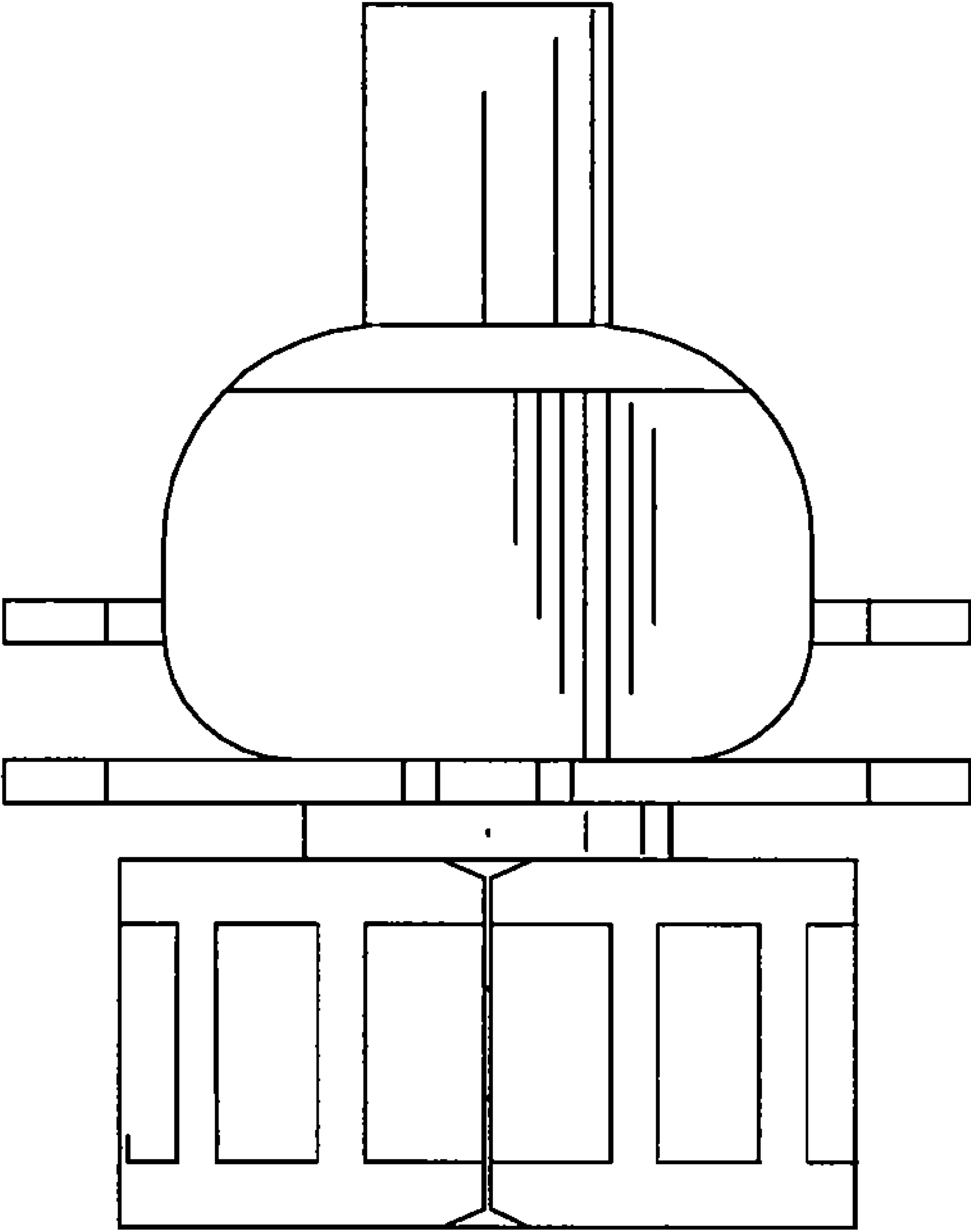


FIG 3

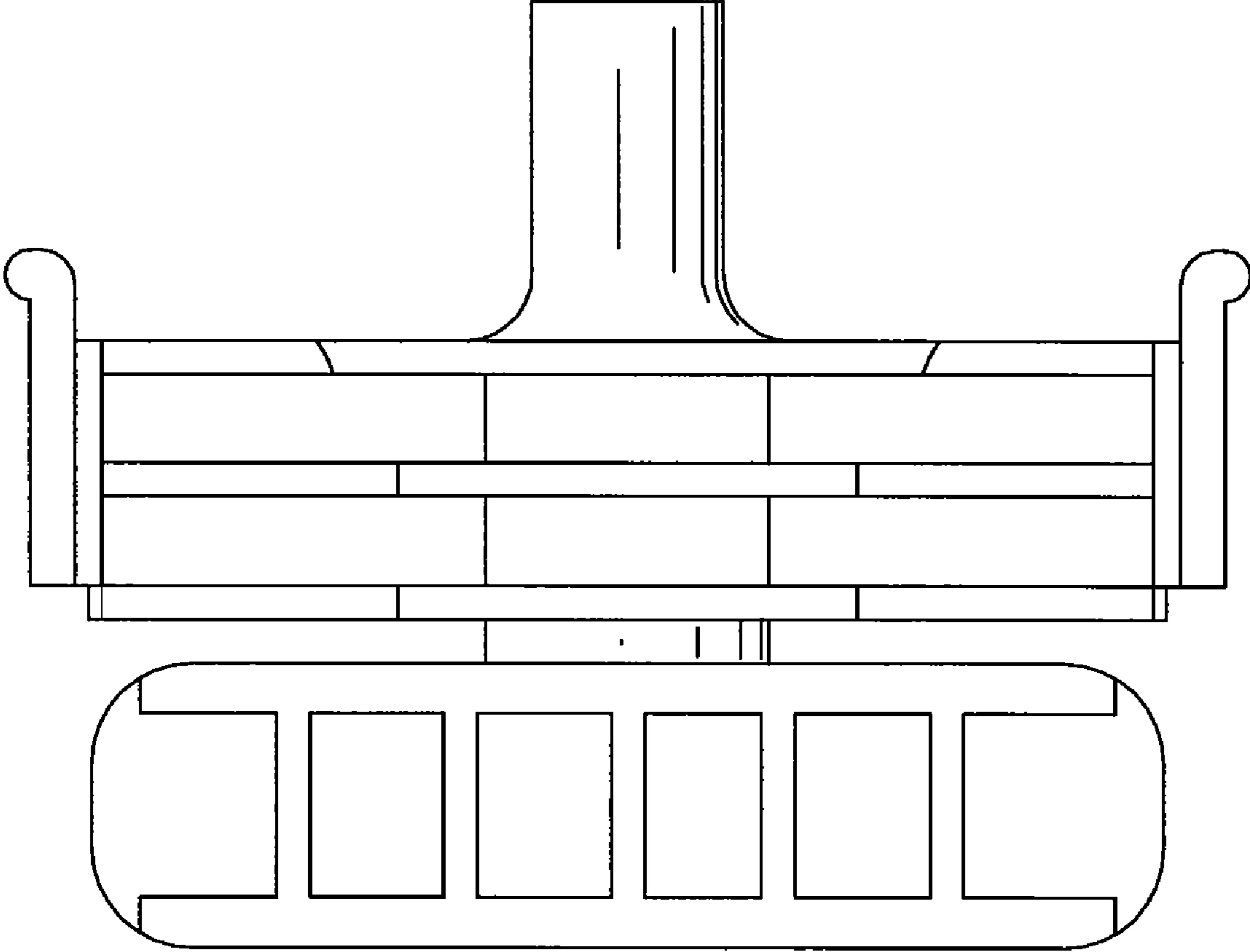


FIG 4

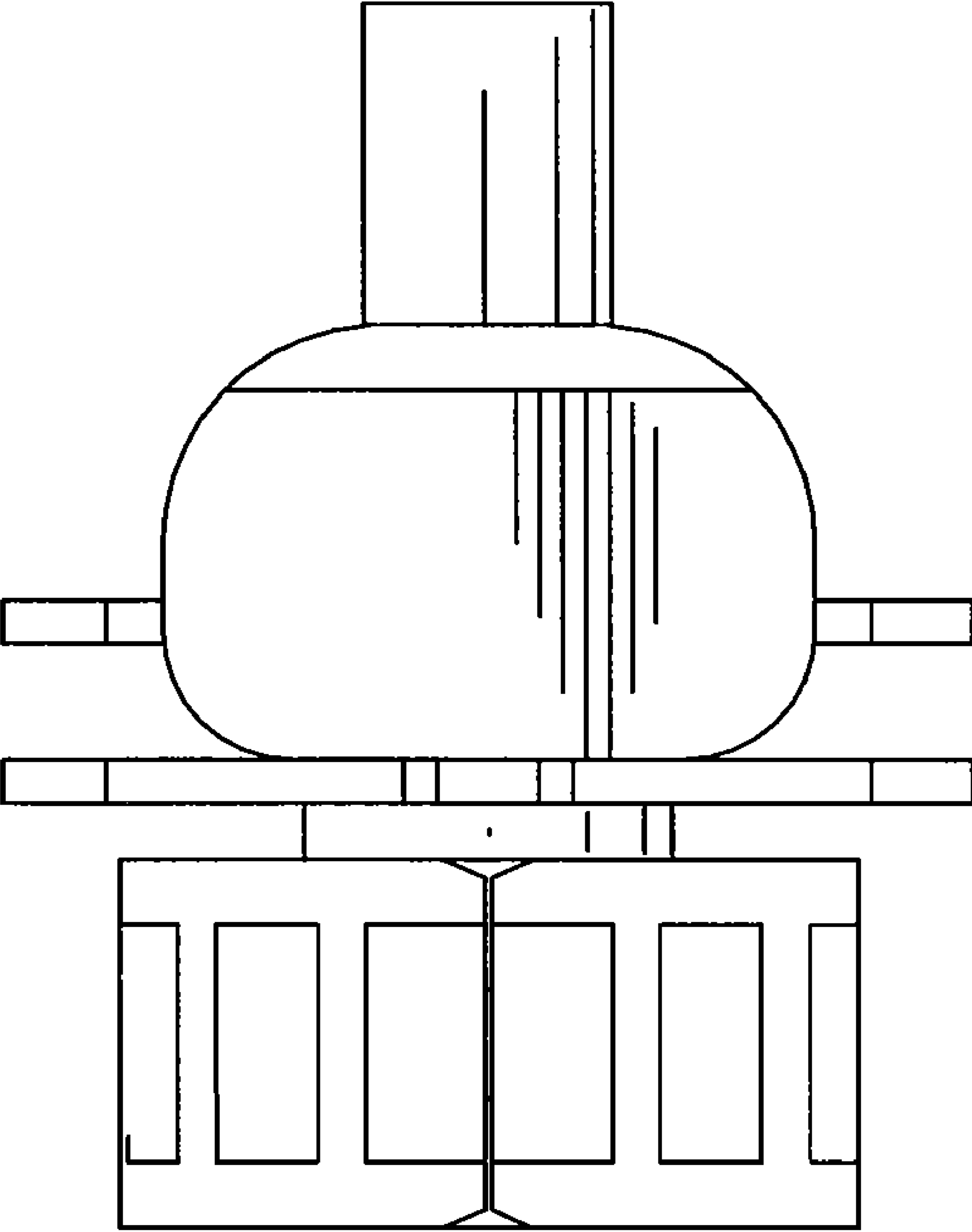


FIG 5

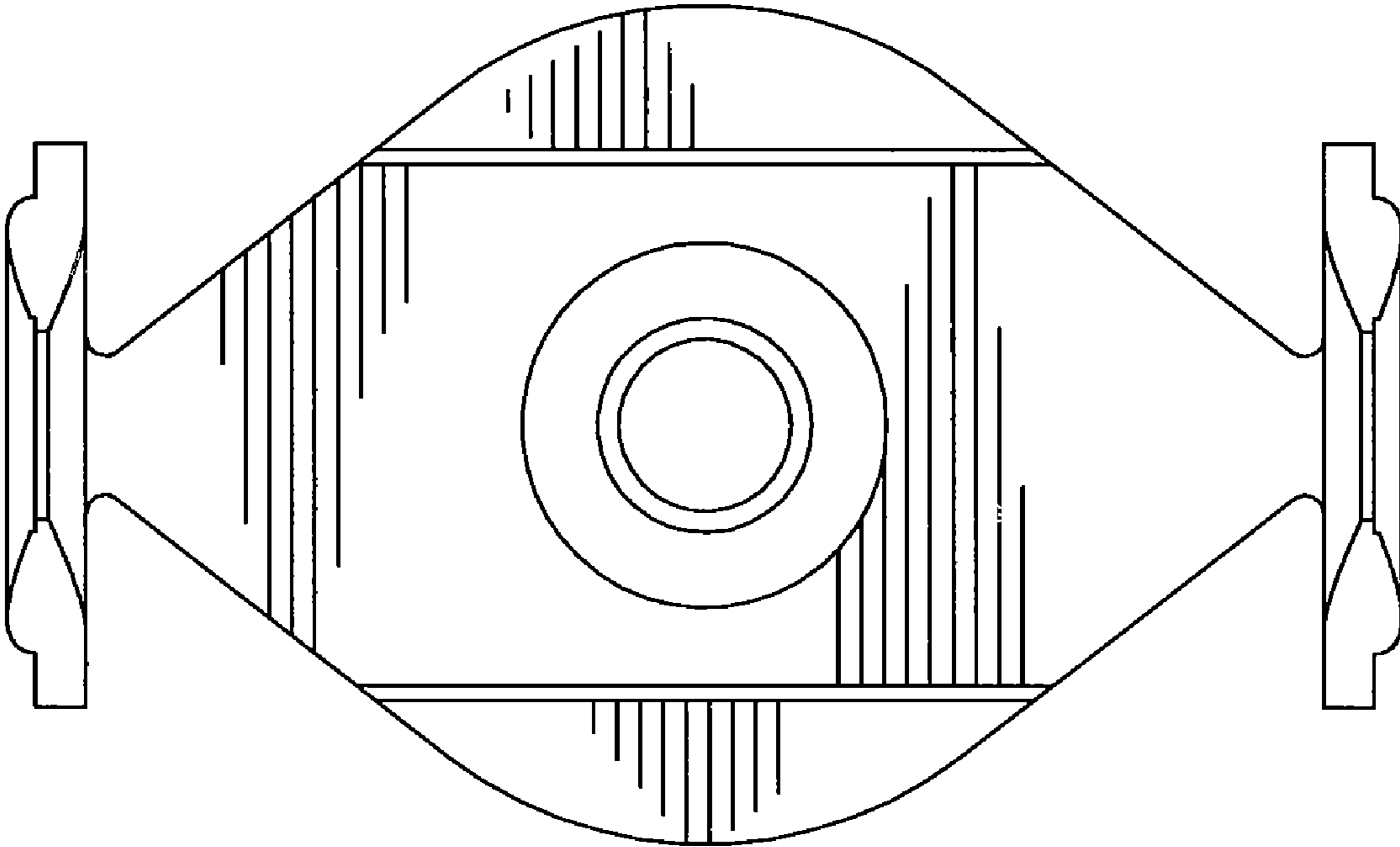


FIG 6

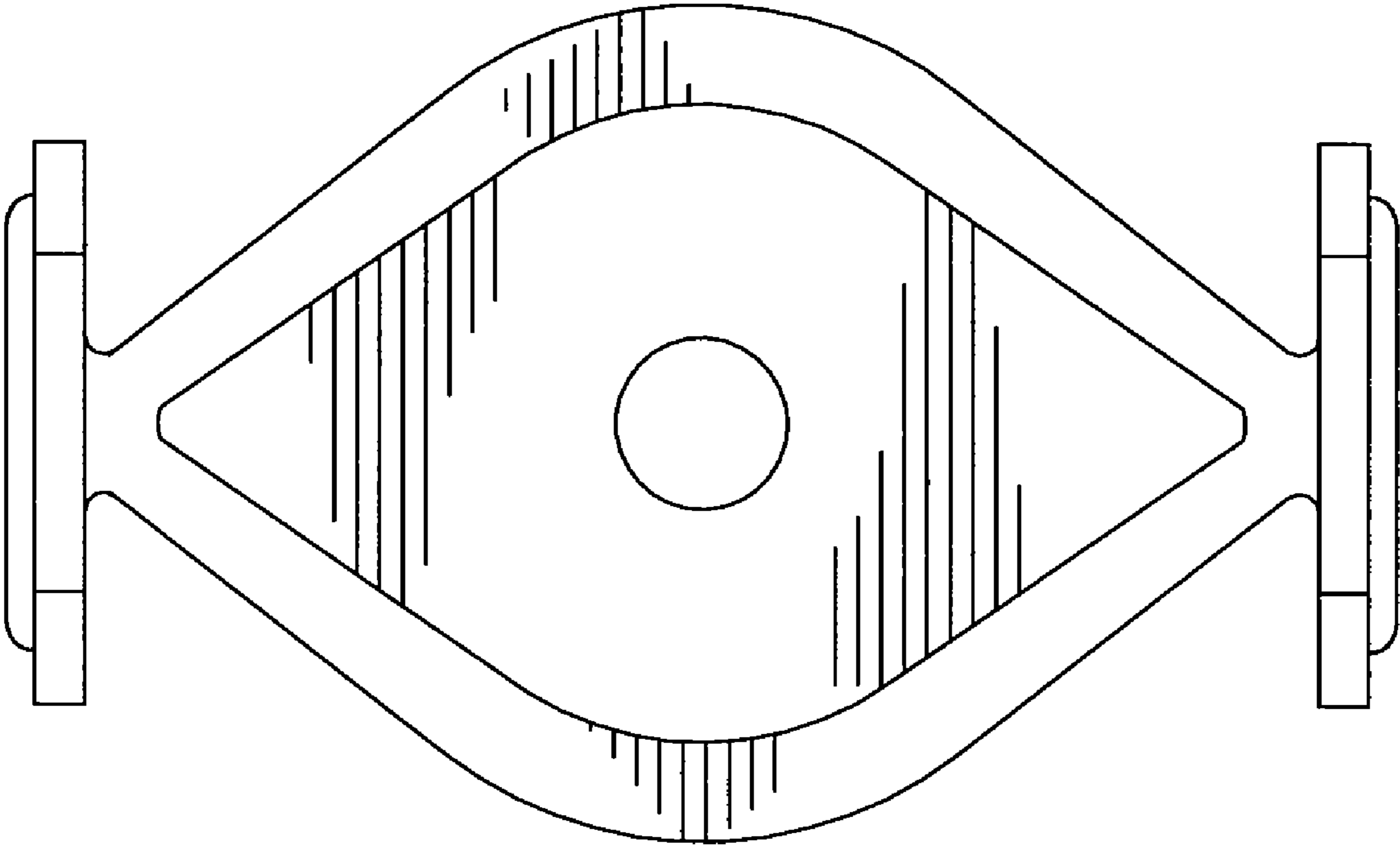


FIG 7