



US00D580757S

(12) **United States Design Patent**
Ellinghausen

(10) **Patent No.:** **US D580,757 S**

(45) **Date of Patent:** **** Nov. 18, 2008**

(54) **GRADUATED DISPENSING CAP**

D327,015 S * 6/1992 Stallings D9/435
D345,501 S * 3/1994 Prince D9/726

(75) Inventor: **Craig W. Ellinghausen**, Wheaton, IL
(US)

* cited by examiner

(73) Assignee: **Midwest Printing, Incorporated**,
Wheaton, IL (US)

Primary Examiner—Robert M. Spear
Assistant Examiner—Susan B Hattan
(74) *Attorney, Agent, or Firm*—McAndrews, Held & Malloy,
Ltd.

(**) Term: **14 Years**

(21) Appl. No.: **29/279,667**

(57) **CLAIM**

(22) Filed: **May 4, 2007**

The ornamental design for the graduated dispensing cap, as shown and described.

(51) **LOC (8) Cl.** **09-07**

(52) **U.S. Cl.** **D9/447**

(58) **Field of Classification Search** D9/733,
D9/726, 529, 501, 503, 454, 450, 449, 447,
D9/440, 435; D28/7; D24/224; 222/566,
222/562, 255, 254.1; 220/288, 259.3, 257.1,
220/256.1, 254.1, 212; 215/252; D7/679,
D7/678, 589, 414

DESCRIPTION

See application file for complete search history.

FIG. 1 is a perspective view of a graduated dispensing cap showing my new design;

FIG. 2 is a top plan view of the graduated dispensing cap of FIG. 1;

FIG. 3 is a front elevational view of the graduated dispensing cap of FIG. 1;

FIG. 4 is a rear elevational view of the graduated dispensing cap of FIG. 1;

FIG. 5 is a right-side elevational view of the graduated dispensing cap of FIG. 1; and,

FIG. 6 is a left-side elevational view of the graduated dispensing cap of FIG. 1.

(56) **References Cited**

U.S. PATENT DOCUMENTS

D128,075 S * 7/1941 Mellinger D9/450
D148,482 S * 1/1948 Pla D9/450
D235,501 S * 6/1975 Mantelet D7/678
D235,502 S * 6/1975 Mantelet D7/679
D304,897 S * 12/1989 Lin D7/679

1 Claim, 4 Drawing Sheets

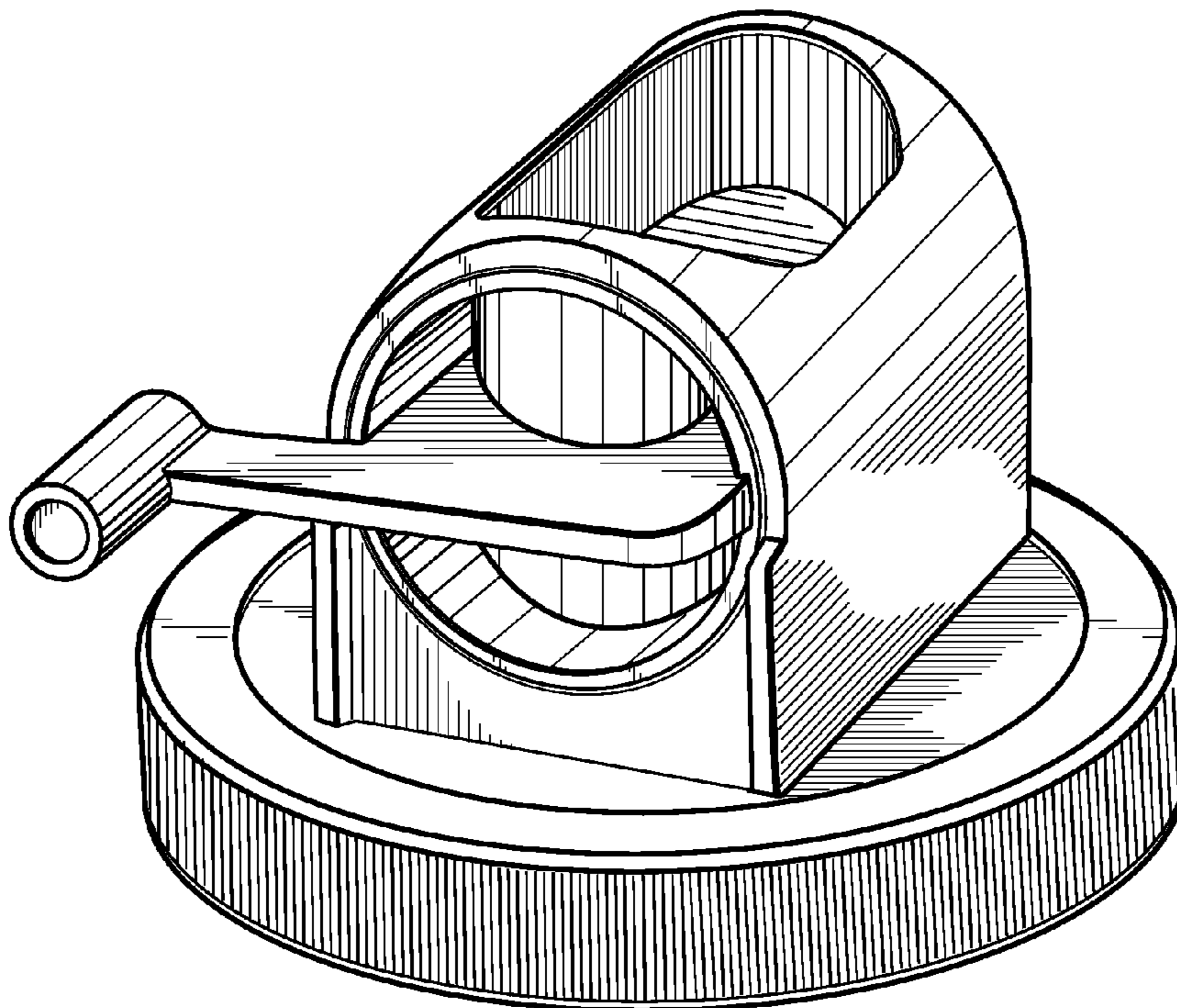


Fig. 1

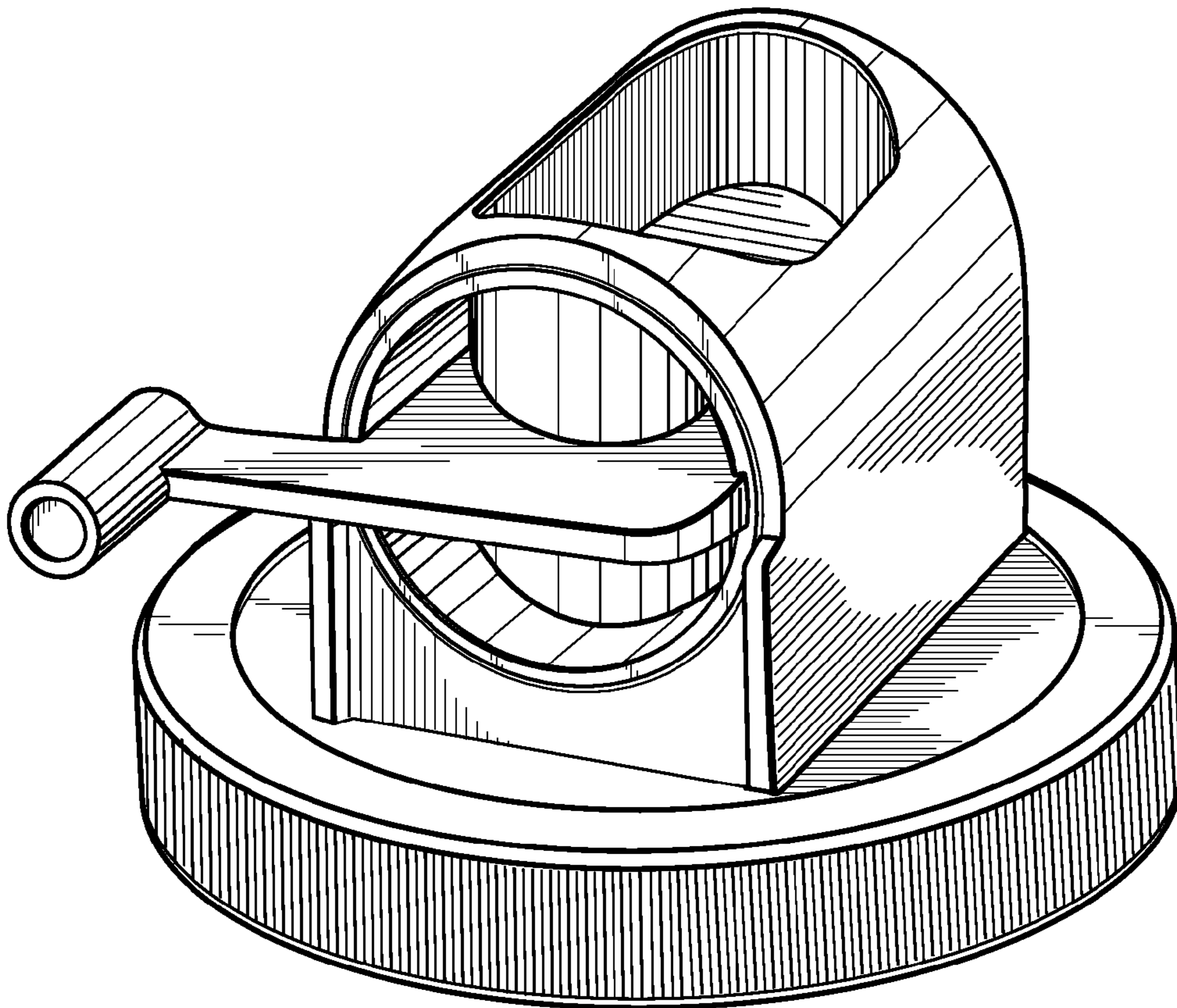


Fig. 2

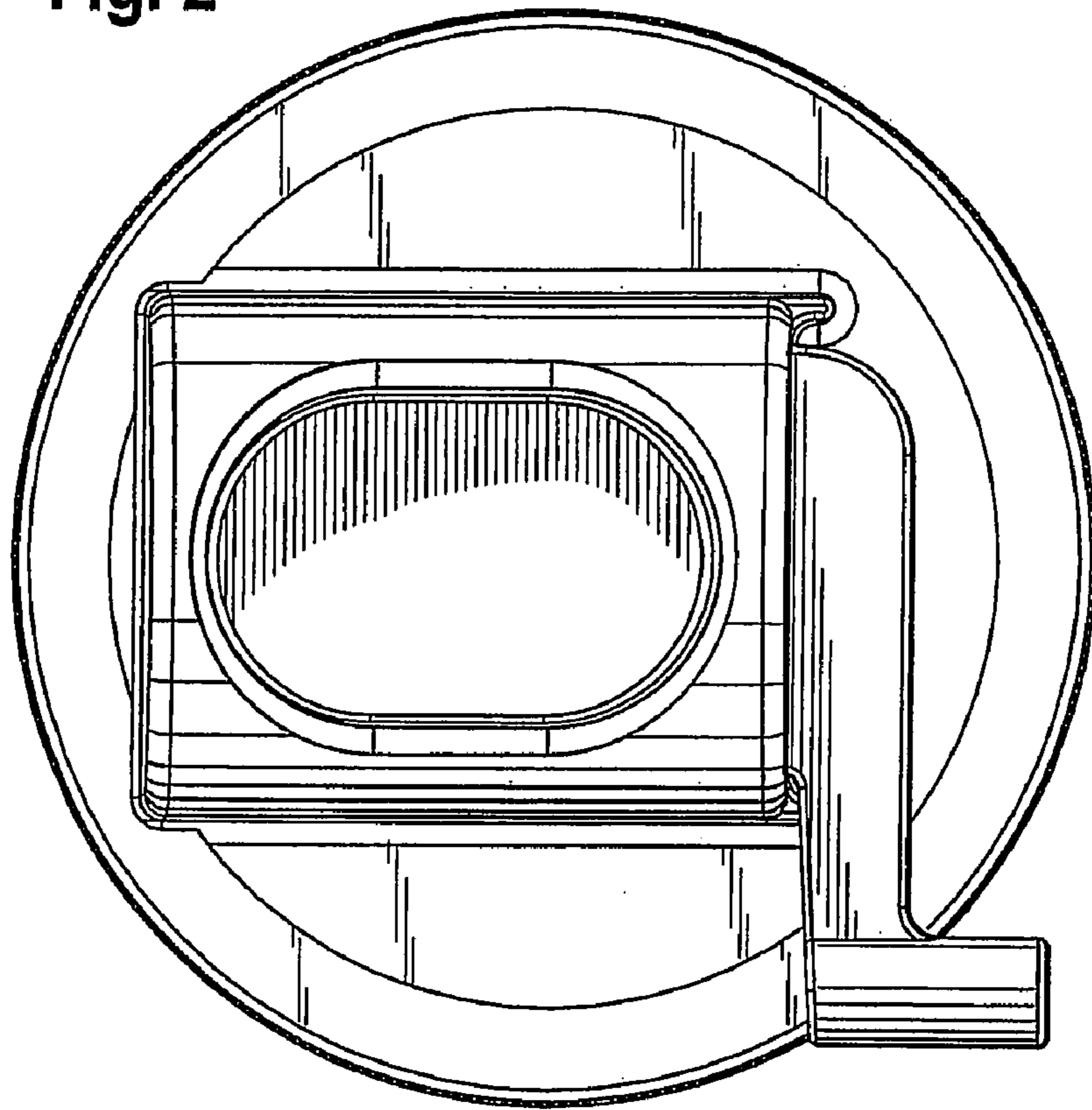


Fig. 3

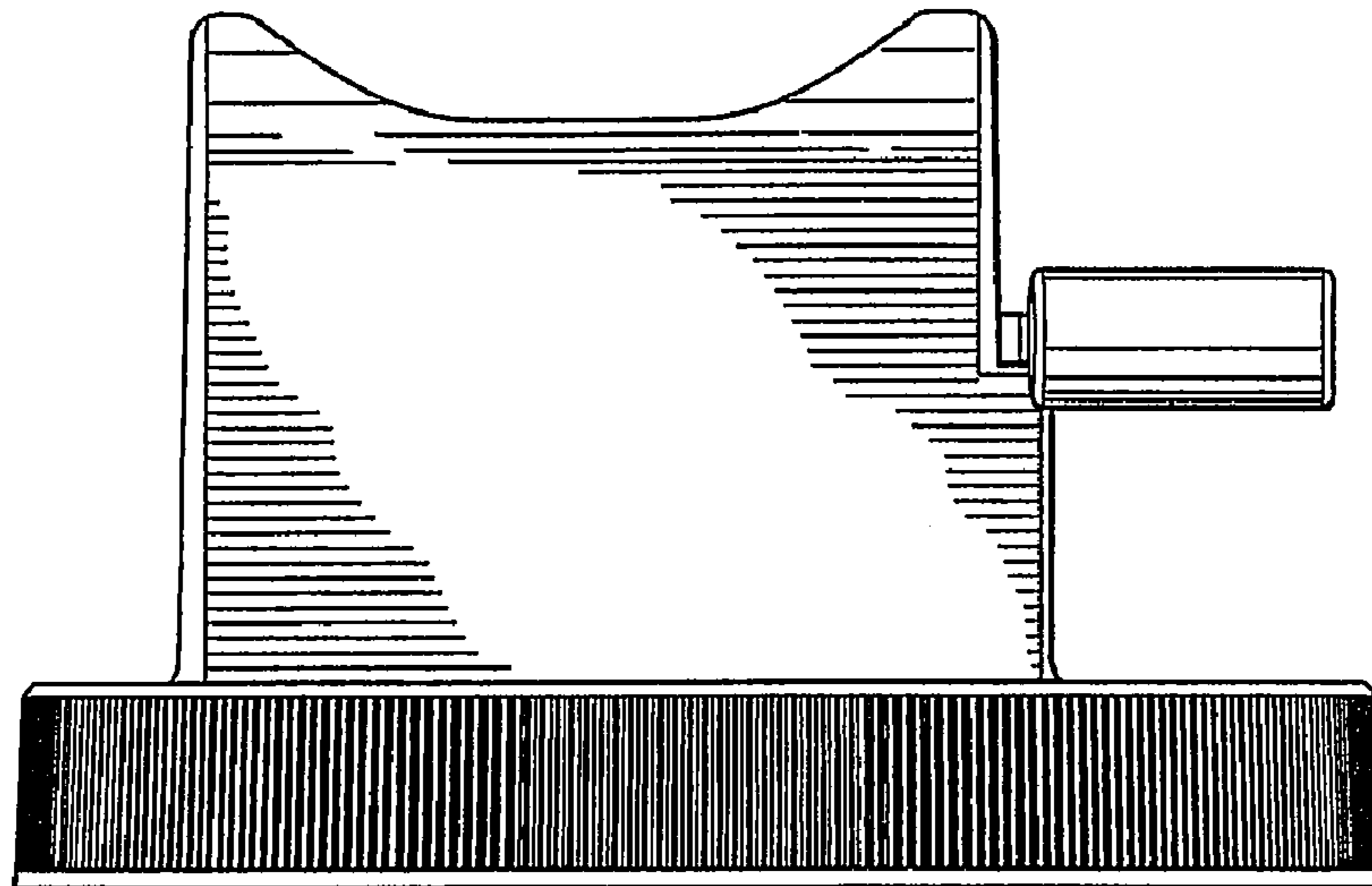


Fig. 4

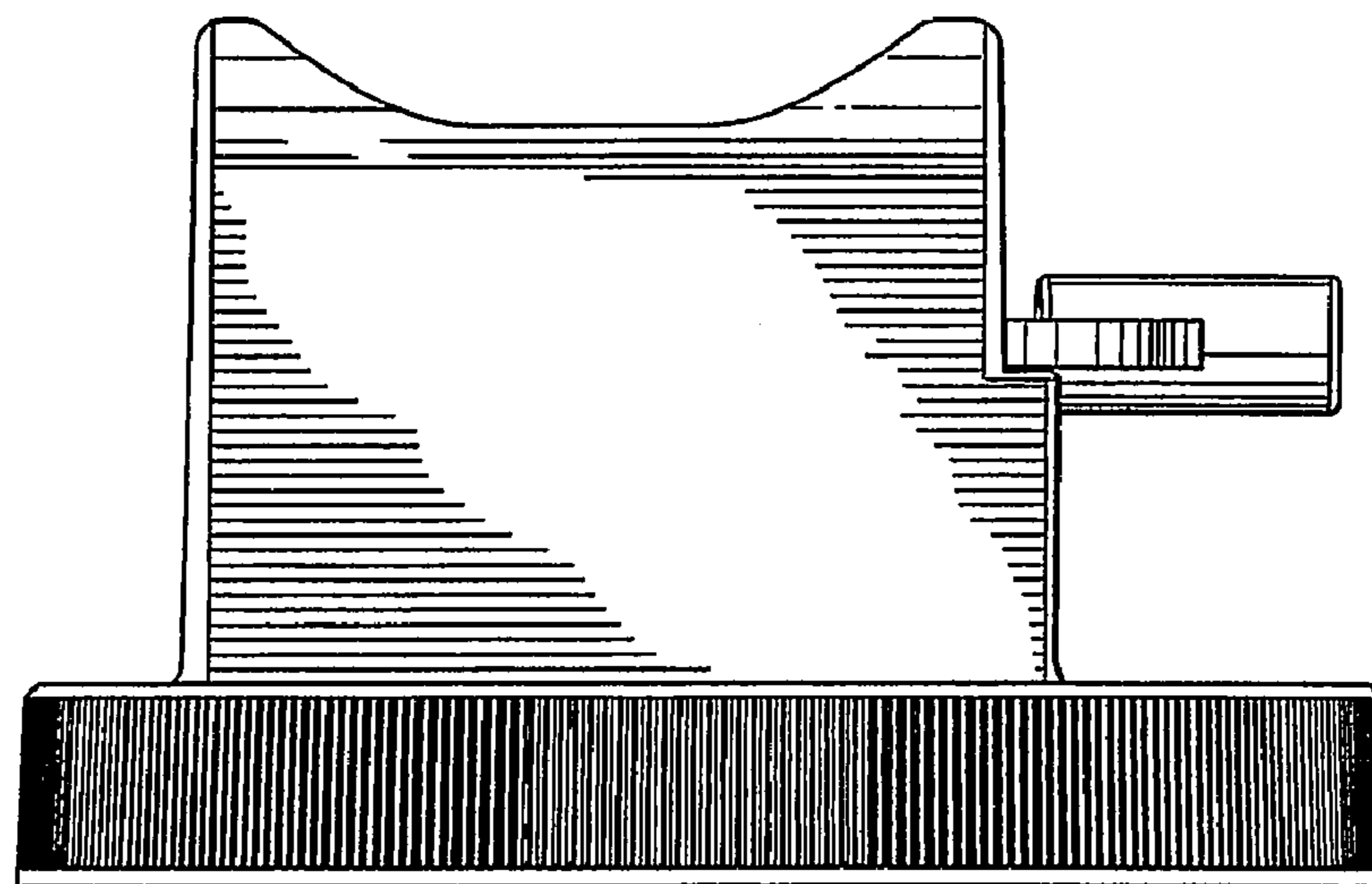


Fig. 5

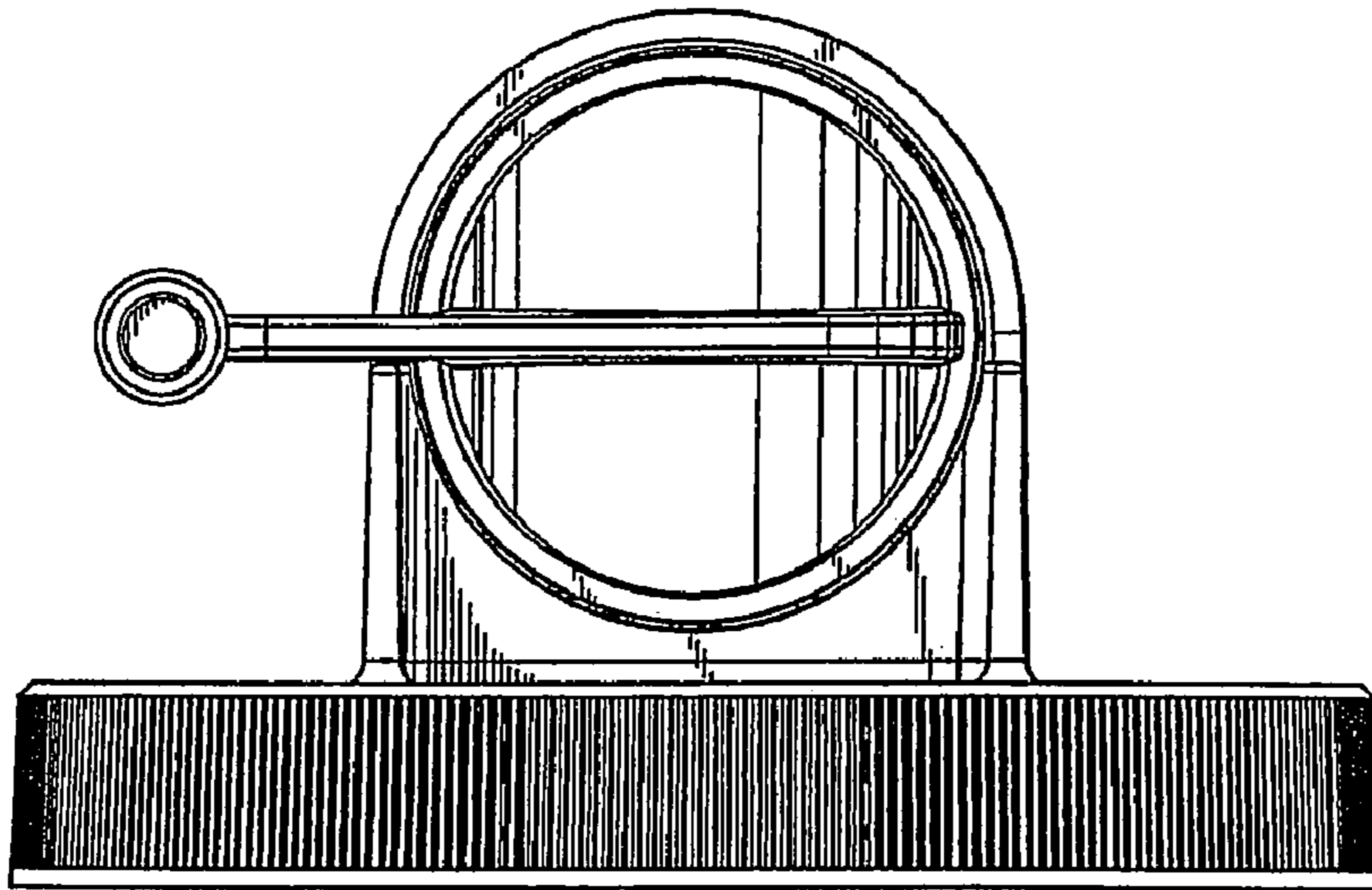


Fig. 6

