

US00D580756S

(12) **United States Design Patent**
Seebold

(10) **Patent No.:** **US D580,756 S**

(45) **Date of Patent:** **** Nov. 18, 2008**

(54) **BOTTLE STOPPER**

(75) Inventor: **Ronald A. Seebold**, Hugo, MN (US)

(73) Assignees: **Lois A Dreier**, South St. Paul, MN (US);
Dale D. Mickelson, South St. Paul, MN (US)

(**) Term: **14 Years**

(21) Appl. No.: **29/303,677**

(22) Filed: **Feb. 14, 2008**

(51) **LOC (8) Cl.** **09-07**

(52) **U.S. Cl.** **D9/439; D9/454**

(58) **Field of Classification Search** D9/499,
D9/445, 444, 439, 435, 434, 428, 600, 689,
D9/529; D8/DIG. 2, 402, 312, 310, 353;
D7/398, 387, 395; D24/196; D23/250; D22/116;
220/802, 801, 713, 712, 254.7, 521; D1/128,
D1/199; 16/421; D28/87
See application file for complete search history.

(56) **References Cited**

U.S. PATENT DOCUMENTS

D495,599 S * 9/2004 Biesecker D9/435
D527,611 S * 9/2006 Sato D8/310

D564,332 S * 3/2008 McConnell D8/310
D565,385 S * 4/2008 Jou D8/307
D569,220 S * 5/2008 McConnell D8/310

* cited by examiner

Primary Examiner—Gary D. Watson

Assistant Examiner—Susan B Hattan

(74) *Attorney, Agent, or Firm*—Nawrocki, Rooney & Silverton, P.A.

(57) **CLAIM**

The ornamental design for a bottle stopper, as shown and described.

DESCRIPTION

FIG. 1 is a perspective view of my new design taken from the top;

FIG. 2 is a side elevational view thereof typical of all sides;

FIG. 3 is a top plan view thereof; and,

FIG. 4 is a bottom plan view thereof.

1 Claim, 1 Drawing Sheet

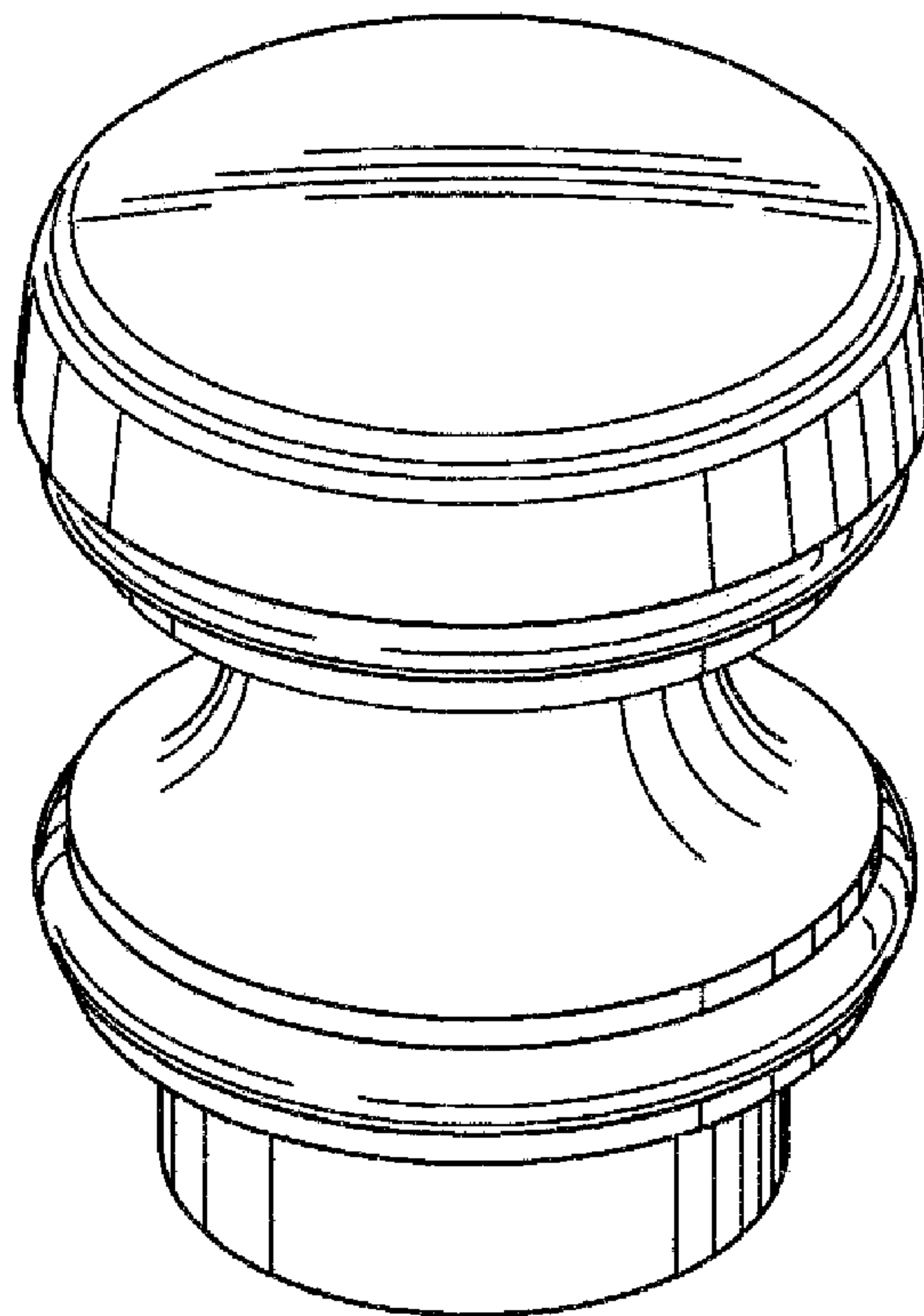


FIG. 1

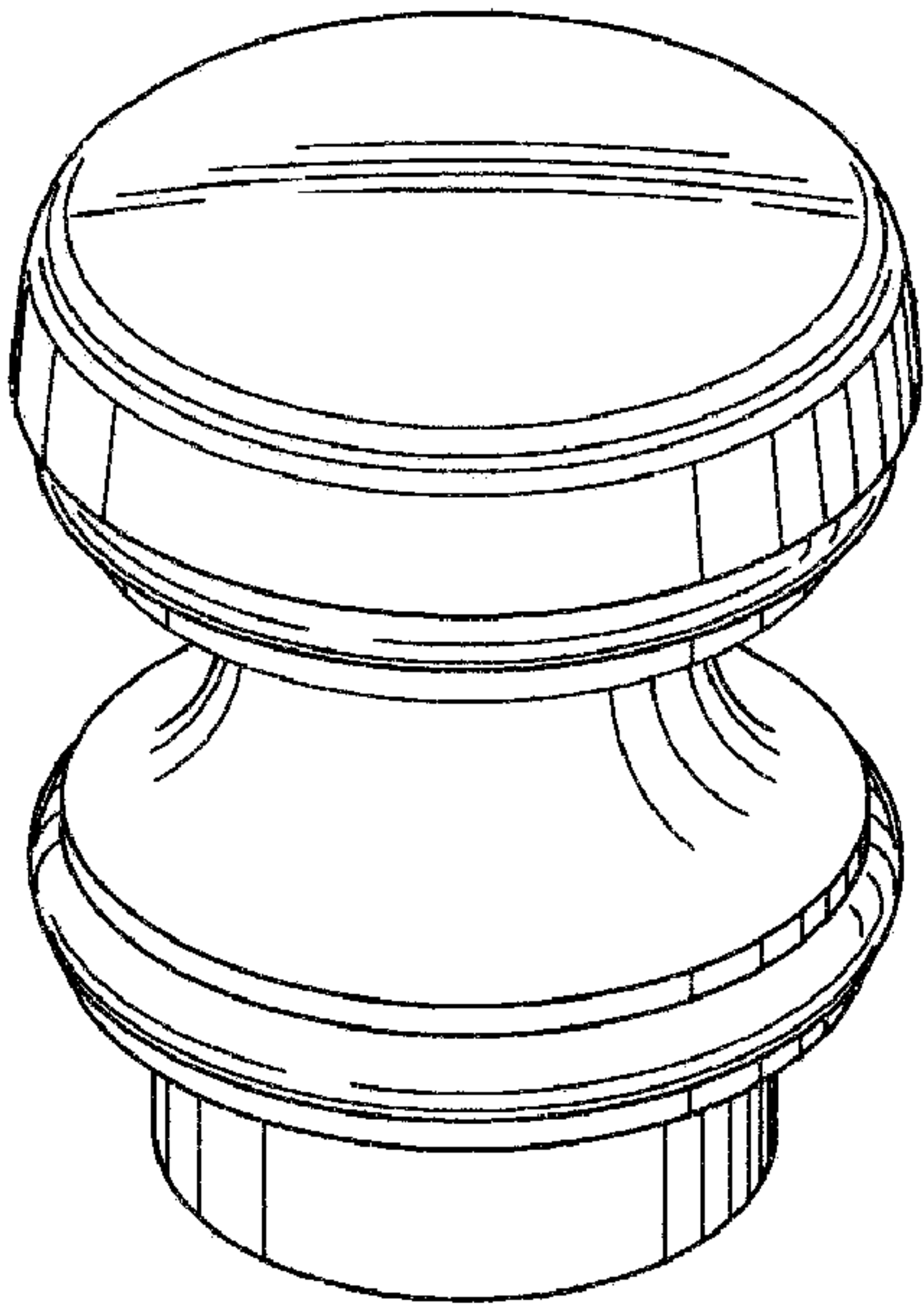


FIG. 2

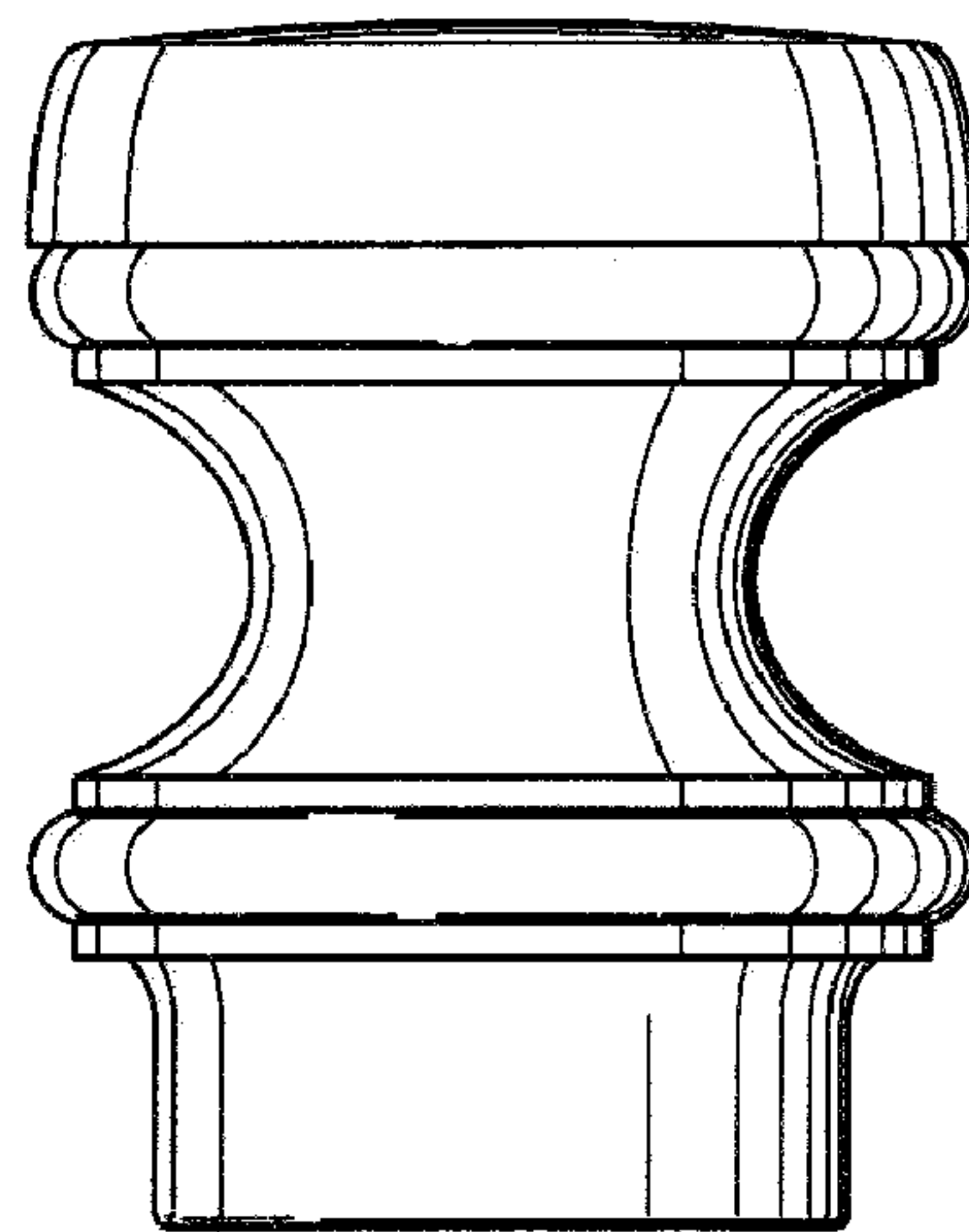


FIG. 3

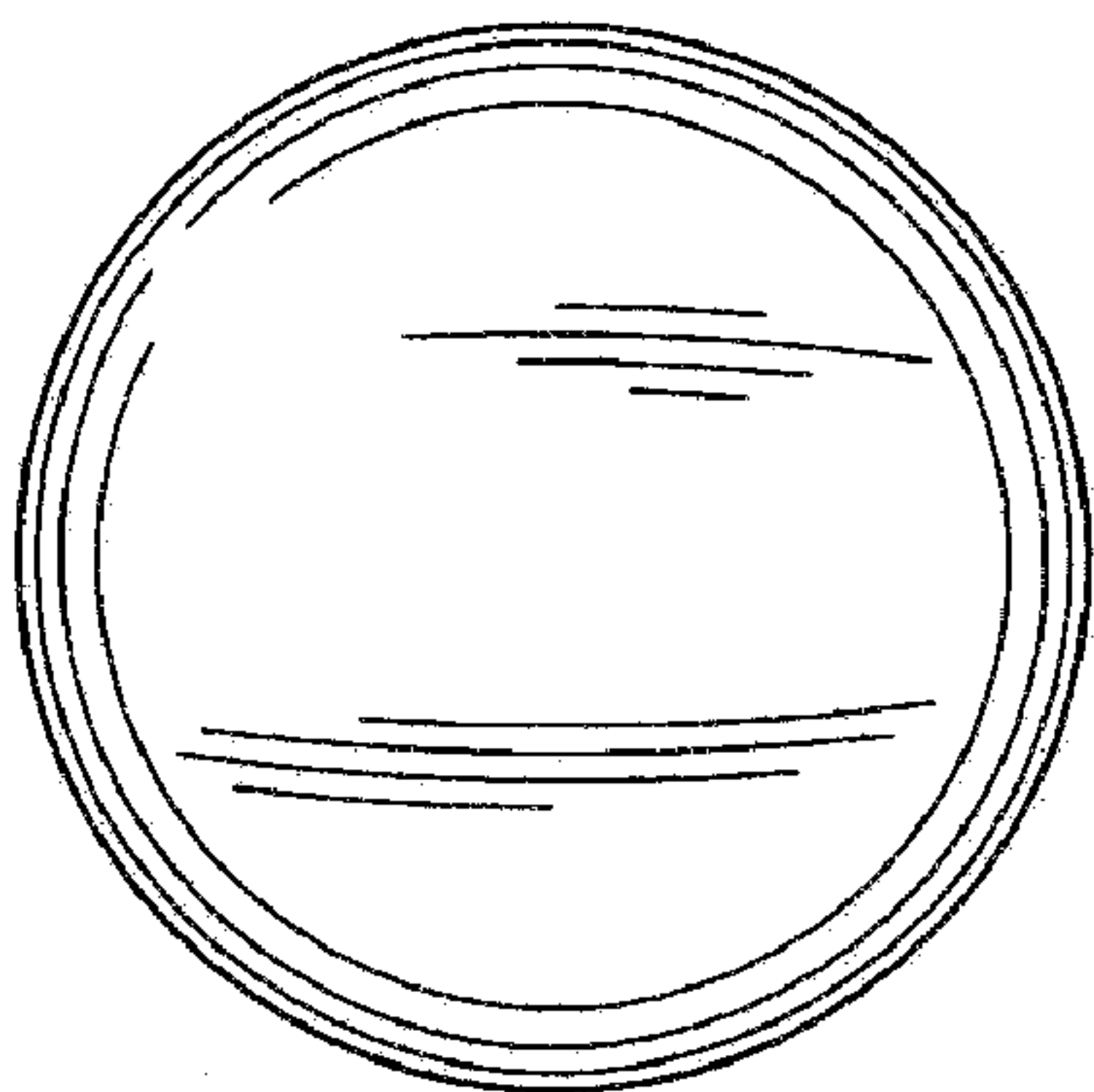


FIG. 4

