



US00D580754S

(12) **United States Design Patent**
An

(10) **Patent No.:** **US D580,754 S**
(45) **Date of Patent:** **** Nov. 18, 2008**

(54) **BOX**
(75) Inventor: **Dae-Geun An**, Suwon-si (KR)
(73) Assignee: **Samsung Electronics Co., Ltd.**,
Suwon-Si (KR)
(**) Term: **14 Years**
(21) Appl. No.: **29/290,422**
(22) Filed: **Dec. 4, 2007**
(30) **Foreign Application Priority Data**
Aug. 9, 2007 (KR) 30-2007-0034187
(51) **LOC (8) Cl.** **09-03**
(52) **U.S. Cl.** **D9/433**
(58) **Field of Classification Search** D9/430-433,
D9/414, 417, 420-423, 759; 206/45.21,
206/45.29, 476, 525.1, 526, 750, 763, 774,
206/784; 229/100, 101, 103.3, 117, 117.01,
229/117.03-117.08, 120.02, 120.08, 120.13-120.18,
229/120.31, 120.37, 125.09, 125.15, 125.29,
229/126, 138, 155, 170, 221, 222, 247, 902,
229/904, 917, 933-937, 942
See application file for complete search history.

(56) **References Cited**
U.S. PATENT DOCUMENTS

1,446,581 A * 2/1923 Pinkerton 206/337
1,448,864 A * 3/1923 Pinkerton 206/490
1,478,336 A * 12/1923 Hunt 229/117.06
2,089,067 A * 8/1937 Myers 229/120.08
2,673,679 A * 3/1954 La Bombard 229/117.04
2,708,065 A * 5/1955 Inman 229/117.01
2,758,774 A * 8/1956 Grunert et al. 229/117.07
3,028,951 A * 4/1962 Okada 206/763
3,253,703 A * 5/1966 Ettin 206/784
3,317,114 A * 5/1967 Ragan et al. 229/152
3,357,630 A * 12/1967 Michelitsch 229/148
4,042,110 A * 8/1977 Guernsey 206/459.1
D262,357 S * 12/1981 Kohler D9/433
4,489,878 A * 12/1984 Mode 229/117
4,511,079 A * 4/1985 Lopez 229/101
5,117,973 A * 6/1992 Lo Duca 206/45.29
D336,428 S * 6/1993 Buratto D9/432

5,275,331 A * 1/1994 Chung-Piao 229/117.15
D345,101 S * 3/1994 Abrams D9/423
D353,538 S * 12/1994 Jobit D9/432
D372,670 S * 8/1996 Healey D9/422
D373,723 S * 9/1996 Healey D9/759
D380,379 S * 7/1997 Lindblom et al. D9/761
D436,313 S * 1/2001 Joshua et al. D9/432
D437,222 S * 2/2001 Goldberg D9/432
D438,101 S * 2/2001 Koster D9/721
D439,157 S * 3/2001 Tsuruishi et al. D9/759
D449,520 S * 10/2001 DiZoglio, III D9/423
D461,125 S * 8/2002 Decello et al. D9/432
6,474,539 B1 * 11/2002 Van Der Horst 229/120.14
7,097,043 B2 * 8/2006 Hsu 206/784
D552,987 S * 10/2007 Magnusson D9/432
2004/0124236 A1 * 7/2004 Howard 229/145
2005/0061861 A1 * 3/2005 Pennino 229/120.13
2006/0022023 A1 * 2/2006 Kuentler et al. 229/120.13
2006/0237519 A1 * 10/2006 Hui 229/117.08
2008/0054057 A1 * 3/2008 Chang 229/120.18

FOREIGN PATENT DOCUMENTS

GB 2437277 A * 10/2007
WO WO 9408855 A1 * 4/1994

* cited by examiner

Primary Examiner—T. Chase Nelson
Assistant Examiner—Karen Acker
(74) *Attorney, Agent, or Firm*—Staas & Halsey LLP

(57) **CLAIM**

The ornamental design for a box, as shown and described.

DESCRIPTION

FIG. 1 is a top view of a box in the blank form;
FIG. 2 is a perspective view of the box of FIG. 1, in an assembled and closed state;
FIG. 3 is a perspective view of the box of FIG. 1, in an assembled and first open state; and,
FIG. 4 is perspective view of the box of FIG. 1, in an assembled and another open state.

1 Claim, 4 Drawing Sheets

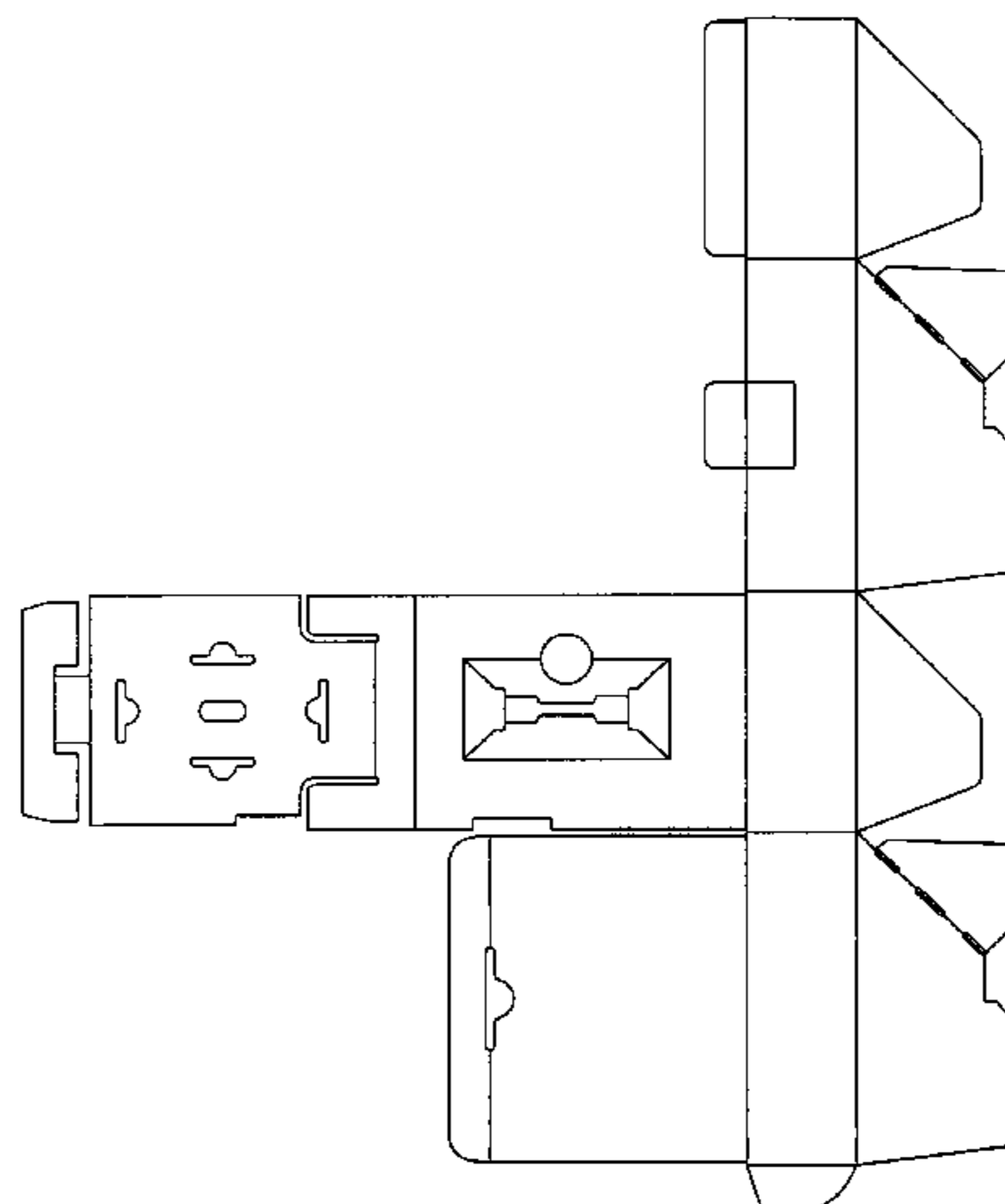


FIG. 1

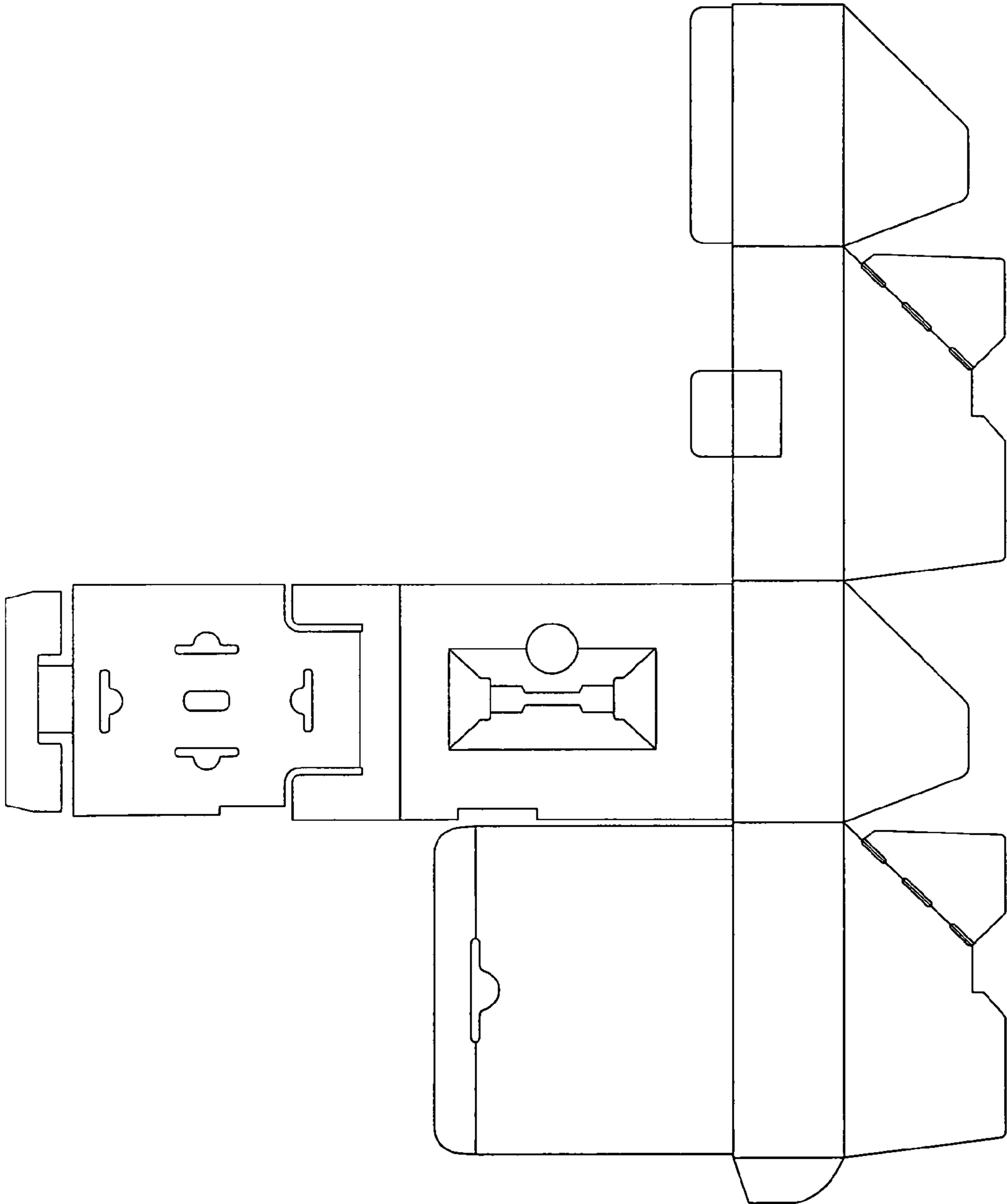


FIG. 2

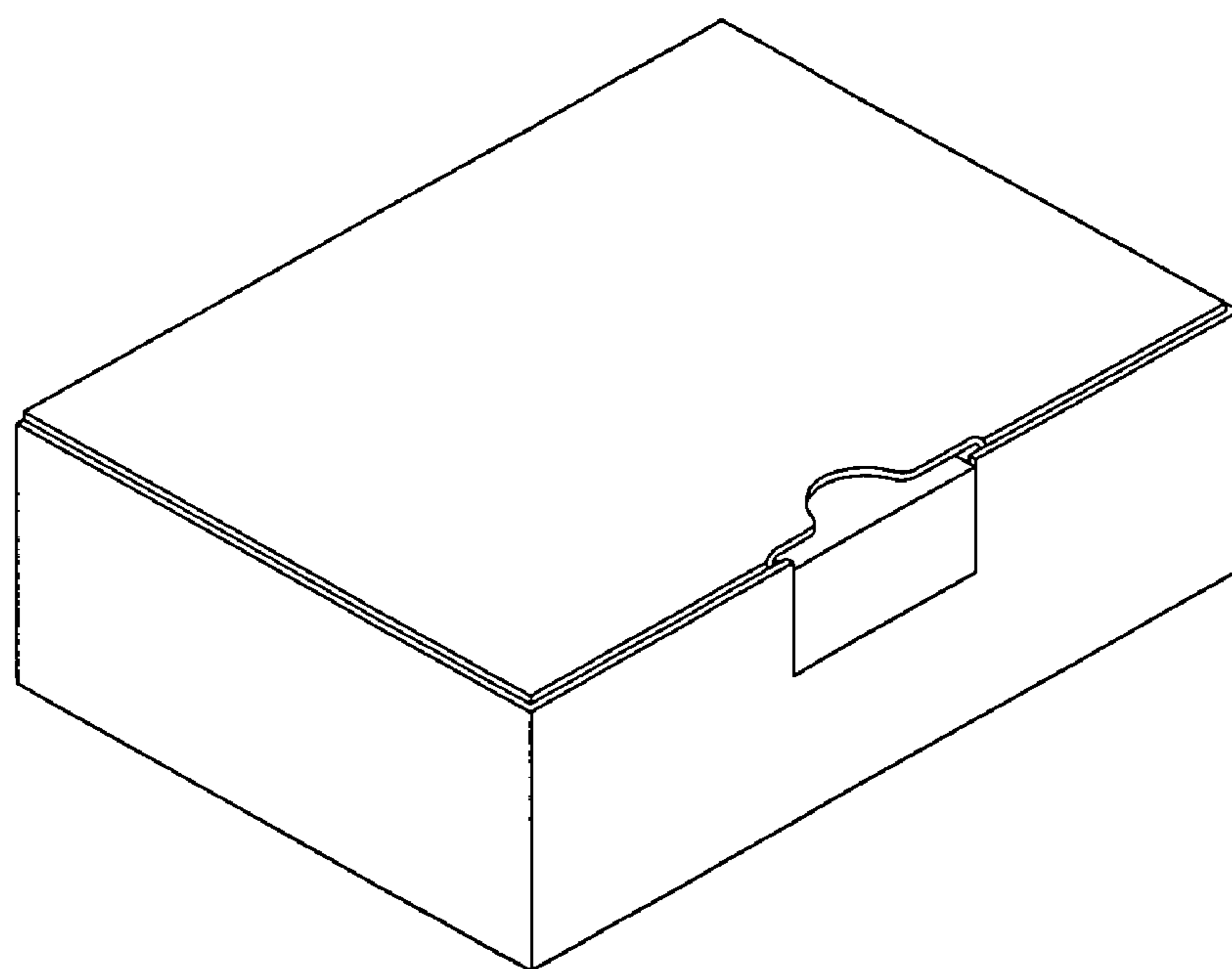


FIG. 3

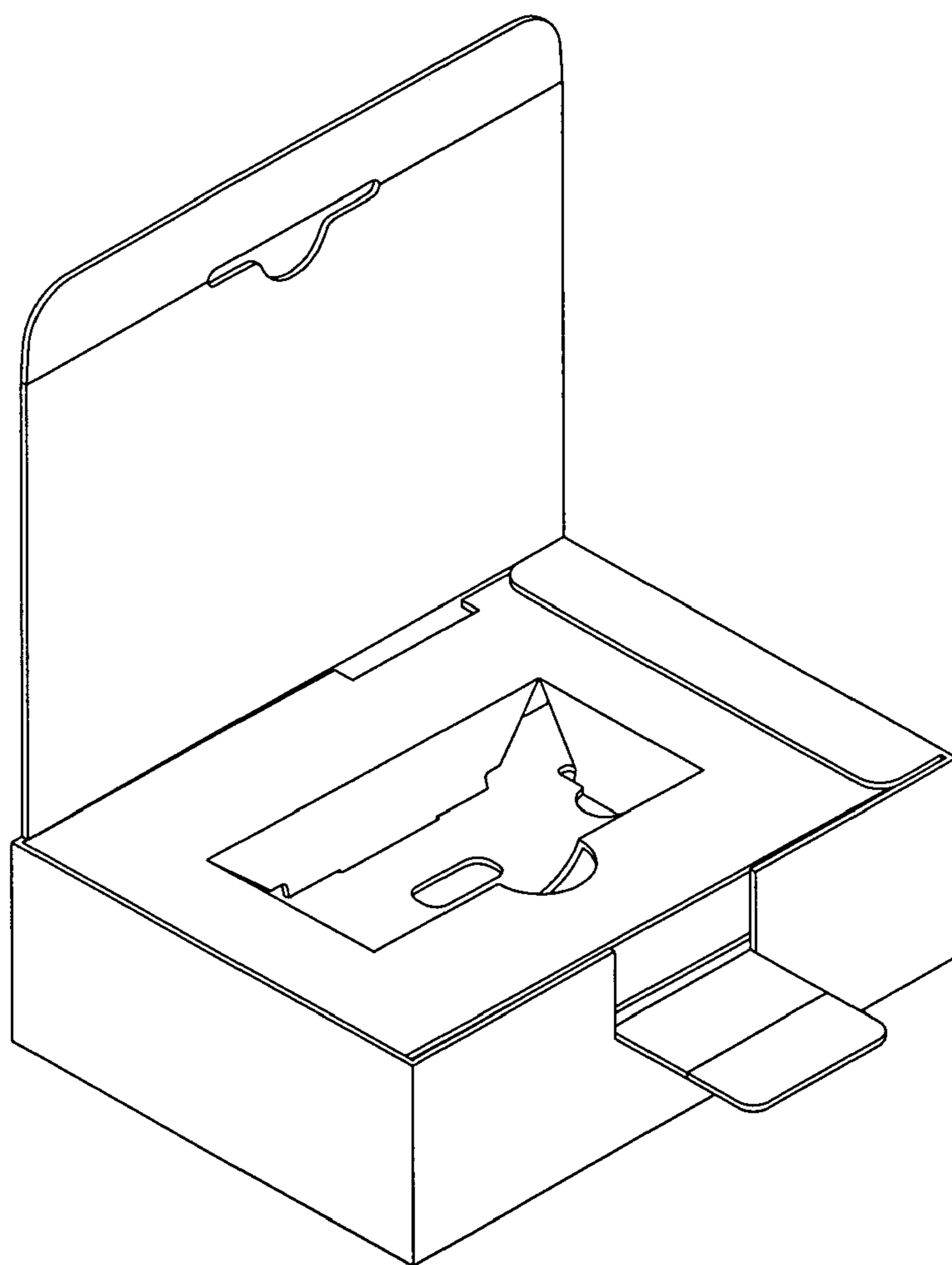


FIG. 4

