



US00D580753S

(12) **United States Design Patent**
Liden et al.

(10) **Patent No.:** **US D580,753 S**
(45) **Date of Patent:** **** Nov. 18, 2008**

(54) **COVER AND BOOT FOR A FRAGRANCE BOTTLE**

(75) Inventors: **Johan Liden**, New York, NY (US);
James Gager, New York, NY (US)

(73) Assignee: **Christian Casey LLC**, New York, NY (US)

(**) Term: **14 Years**

(21) Appl. No.: **29/304,214**

(22) Filed: **Feb. 27, 2008**

Related U.S. Application Data

(62) Division of application No. 29/248,648, filed on Aug. 25, 2006, now Pat. No. Des. 567,100.

(51) **LOC (8) Cl.** **09-01**

(52) **U.S. Cl.** **D9/432; D9/445; D9/452; D9/529; D9/560; D9/570**

(58) **Field of Classification Search** D3/201, D3/206, 273, 274, 304, 903; D7/538, 540, D7/541, 542, 584, 586, 601, 602, 603, 612, D7/614, 615, 701, 707, 708; D9/414, 417, D9/430, 432, 434, 435, 445, 452, 453, 500, D9/501, 502, 503, 504, 516, 517, 529, 544, D9/546, 559, 560, 564, 569, 570, 571, 572, D9/573, 574, 575; 215/381-385, 396, 398

See application file for complete search history.

(56) **References Cited**

U.S. PATENT DOCUMENTS

D16,765 S * 7/1886 Brown D9/432
D24,582 S 8/1895 Lowrey
D25,048 S 1/1896 Sherwood
D52,131 S * 7/1918 Flannery D9/432
1,611,443 A 12/1926 Hothersall
D90,558 S 8/1933 Tricard
D92,423 S 6/1934 Piazzoli

D92,782 S 7/1934 Tourtois
D99,629 S 5/1936 Mulhens
D99,819 S 5/1936 McLaughlin
D102,747 S * 1/1937 Sussey D9/432

(Continued)

OTHER PUBLICATIONS

Women's Wear Daily; The Retailers' Daily Newspaper; vol. 190; No. 43; pages Cover-3; Fairchild Publications, Inc.; Aug. 26, 2005.

Primary Examiner—Stella M. Reid

Assistant Examiner—Elizabeth J Oswecki

(74) *Attorney, Agent, or Firm*—Cynthia R. Miller

(57) **CLAIM**

The ornamental design for a cover and boot for a fragrance bottle, substantially as shown and described.

DESCRIPTION

FIG. 1 is a top, front and right side perspective view of a first embodiment for a cover and boot for a fragrance bottle showing our new design;

FIG. 2 is a bottom, front and right side perspective view thereof;

FIG. 3 is a front elevation view thereof, the rear and side elevation views being identical thereof;

FIG. 4 is a top plan view thereof, a bottom plan view being identical thereof;

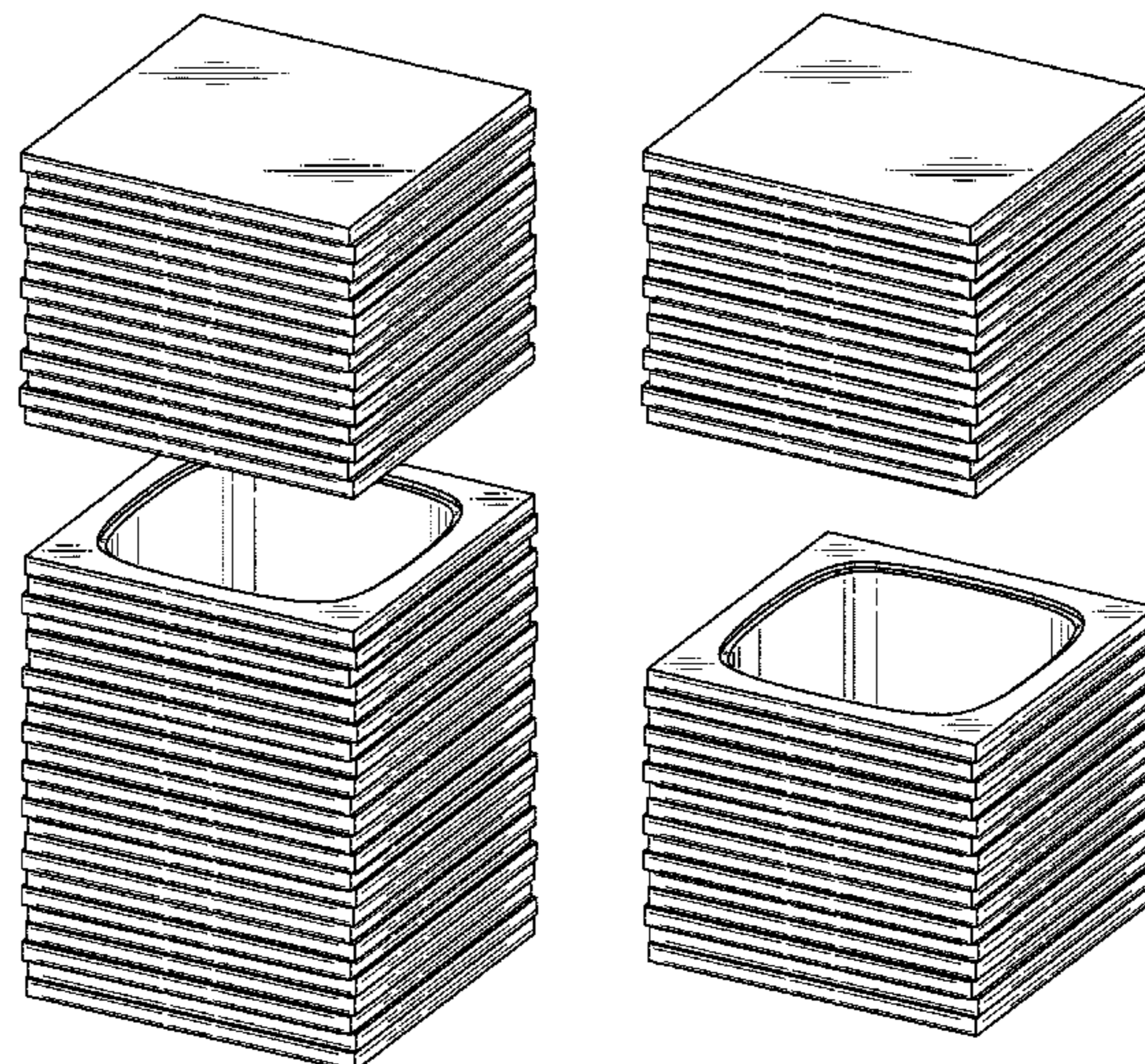
FIG. 5 is a top, front and right side perspective view of a second embodiment for a cover and boot for a fragrance bottle showing our new design;

FIG. 6 is a bottom, front and right side perspective view thereof;

FIG. 7 is a front elevation view thereof, the rear and side elevation views being identical thereof; and,

FIG. 8 is a top plan view thereof, a bottom plan view being identical thereof.

1 Claim, 4 Drawing Sheets



US D580,753 S

Page 2

U.S. PATENT DOCUMENTS

D105,396 S	7/1937	McIntosh		D317,717 S	6/1991	Carol	
D105,808 S	8/1937	Schein		D317,718 S	6/1991	Carol	
D109,767 S *	5/1938	Schein	D9/563	D323,112 S	1/1992	San-Wittgenstein	
D113,549 S	2/1939	Chevalier		D325,345 S	4/1992	Holland	
D118,839 S	2/1940	Samuels		D345,698 S	4/1994	Gobe	
D120,846 S	5/1940	Ireys		D356,947 S	4/1995	Mueller	
D133,415 S	8/1942	Mayer		D368,031 S *	3/1996	Chahed	D9/432
D143,386 S	1/1946	Altman		5,529,417 A	6/1996	Burrlander	
D145,470 S	8/1946	Sussman		D395,605 S	6/1998	Kokenge	
D149,950 S	6/1948	Klebanoff		D397,040 S	8/1998	Bakic	
D153,054 S	3/1949	Wolfe et al.		5,823,391 A	10/1998	Klauke et al.	
D164,755 S *	10/1951	Younghusband	D9/432	D405,015 S	2/1999	Kotyuk	
2,641,374 A	6/1953	Yuen		D425,794 S	5/2000	Grossnickle	
D170,794 S	11/1953	Kolb		D427,075 S	6/2000	Gavin	
D184,033 S	12/1958	Webb		D427,516 S	7/2000	Legros	
D187,395 S	3/1960	DuPree		D428,577 S	7/2000	Shanahan	
D201,052 S *	5/1965	Josephsen	D9/542	D434,645 S	12/2000	Adachi et al.	
D204,502 S *	4/1966	Latham et al.	D9/432	D442,868 S	5/2001	Gavin	
3,286,902 A *	11/1966	Hunter et al.	229/406	D448,867 S	10/2001	Manocheo et al.	
3,346,137 A	10/1967	Ricci		D450,579 S *	11/2001	Lancman	D9/423
D210,193 S *	2/1968	Limbach	D9/432	D451,812 S	12/2001	Colonna de Giovellina	
D210,194 S *	2/1968	Limbach	D9/432	D471,108 S	3/2003	Calderone, Jr.	
D210,195 S *	2/1968	Limbach	D9/432	D481,640 S	11/2003	Biesecker	
D212,413 S *	10/1968	Lacoste	D9/432	D481,957 S	11/2003	Modjeski	
D214,307 S	6/1969	Vignelli		D488,070 S	4/2004	Yourist	
D221,061 S	7/1971	Ford		D496,274 S *	9/2004	Egawa	D9/432
D234,914 S	4/1975	Morgan		D497,553 S	10/2004	Mitchell	
D234,915 S	4/1975	Freedman		D512,920 S	12/2005	Kim	
D241,013 S *	8/1976	Dekker	D9/529	D515,193 S *	2/2006	Chen	D23/366
D259,173 S	5/1981	Lauren		D531,043 S *	10/2006	Houtart et al.	D9/560
D267,778 S	2/1983	Nagata		D535,104 S	1/2007	Chen	
D274,396 S *	6/1984	Kikuchi	D7/605	D540,689 S *	4/2007	Dorfmuller	D9/560
D276,136 S *	10/1984	Sebire	D9/432	D542,131 S *	5/2007	Egawa	D9/432
D306,695 S	3/1990	Smith		D551,560 S	9/2007	De Baschmakoff	
D313,176 S	12/1990	Okuda et al.		D555,002 S	11/2007	Lloyd et al.	

* cited by examiner

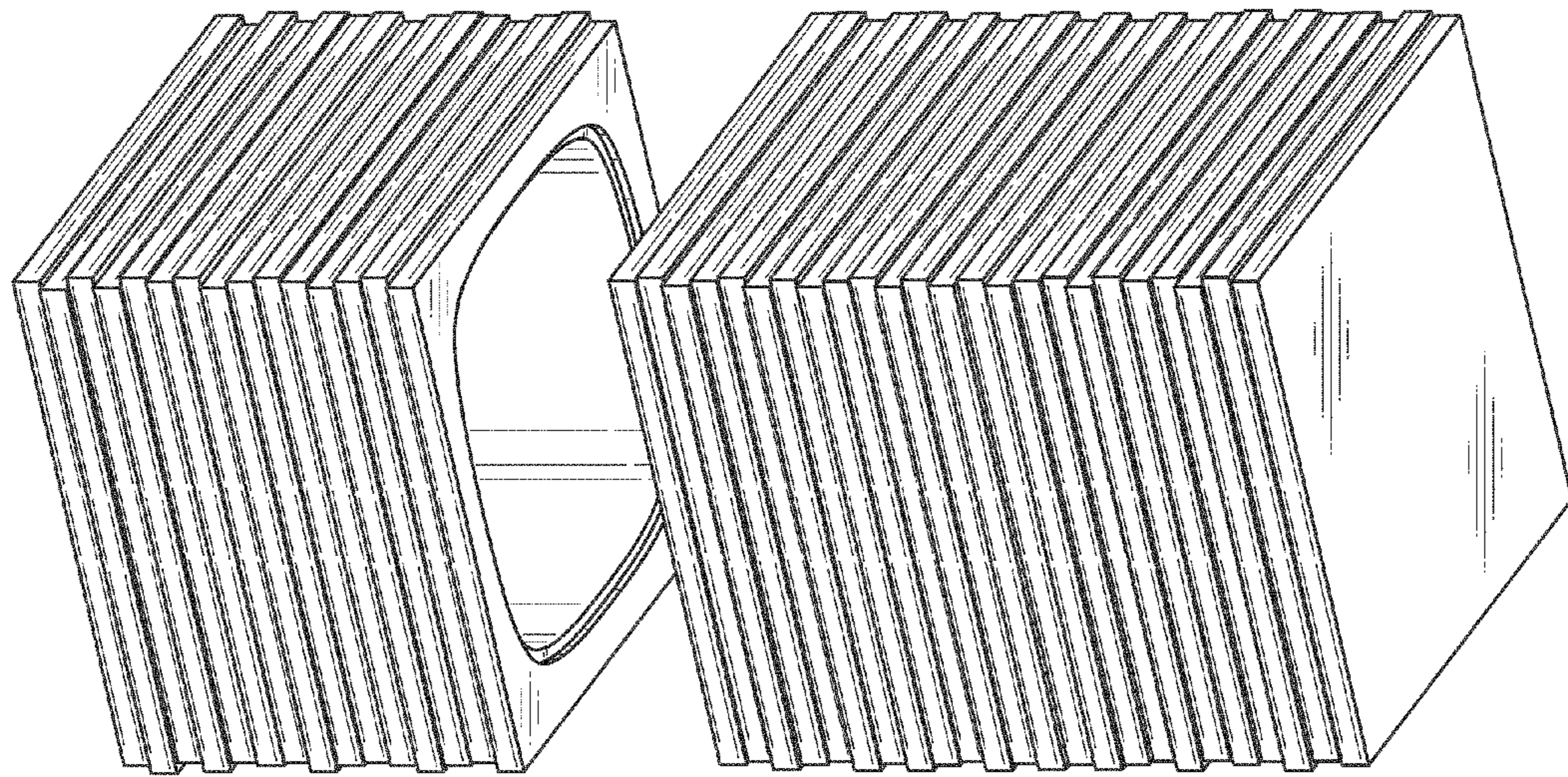


FIG. 2

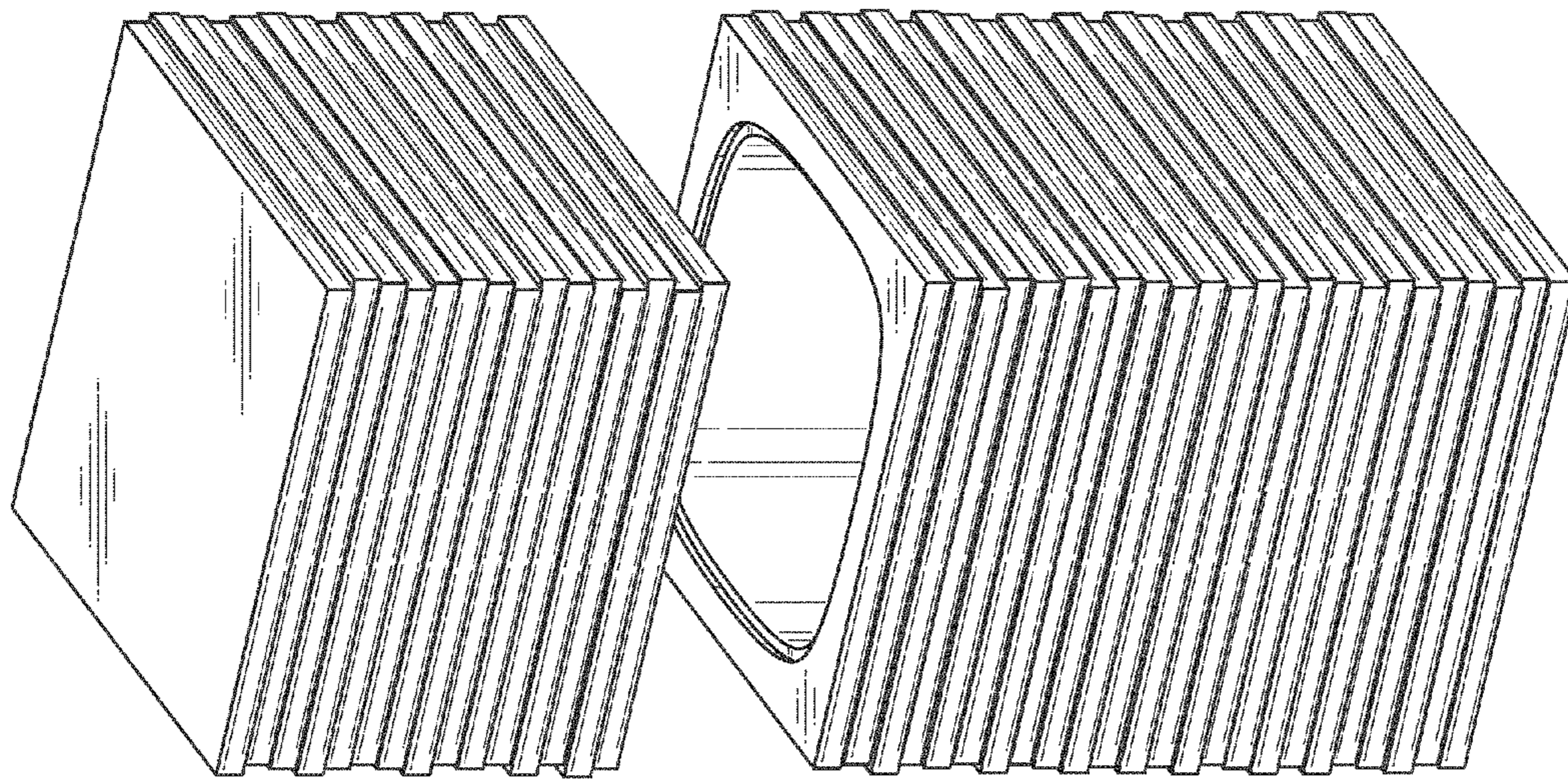


FIG. 1

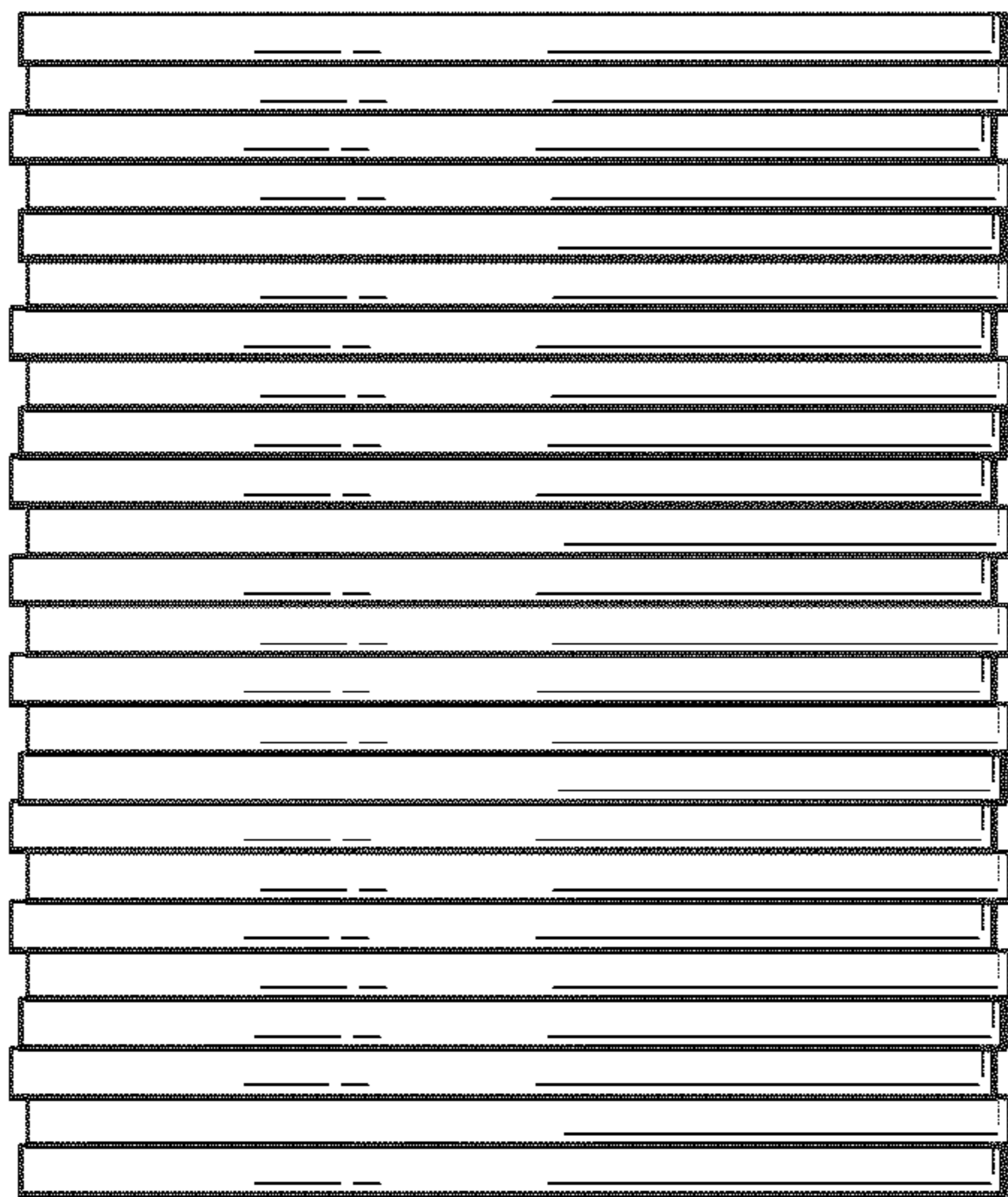
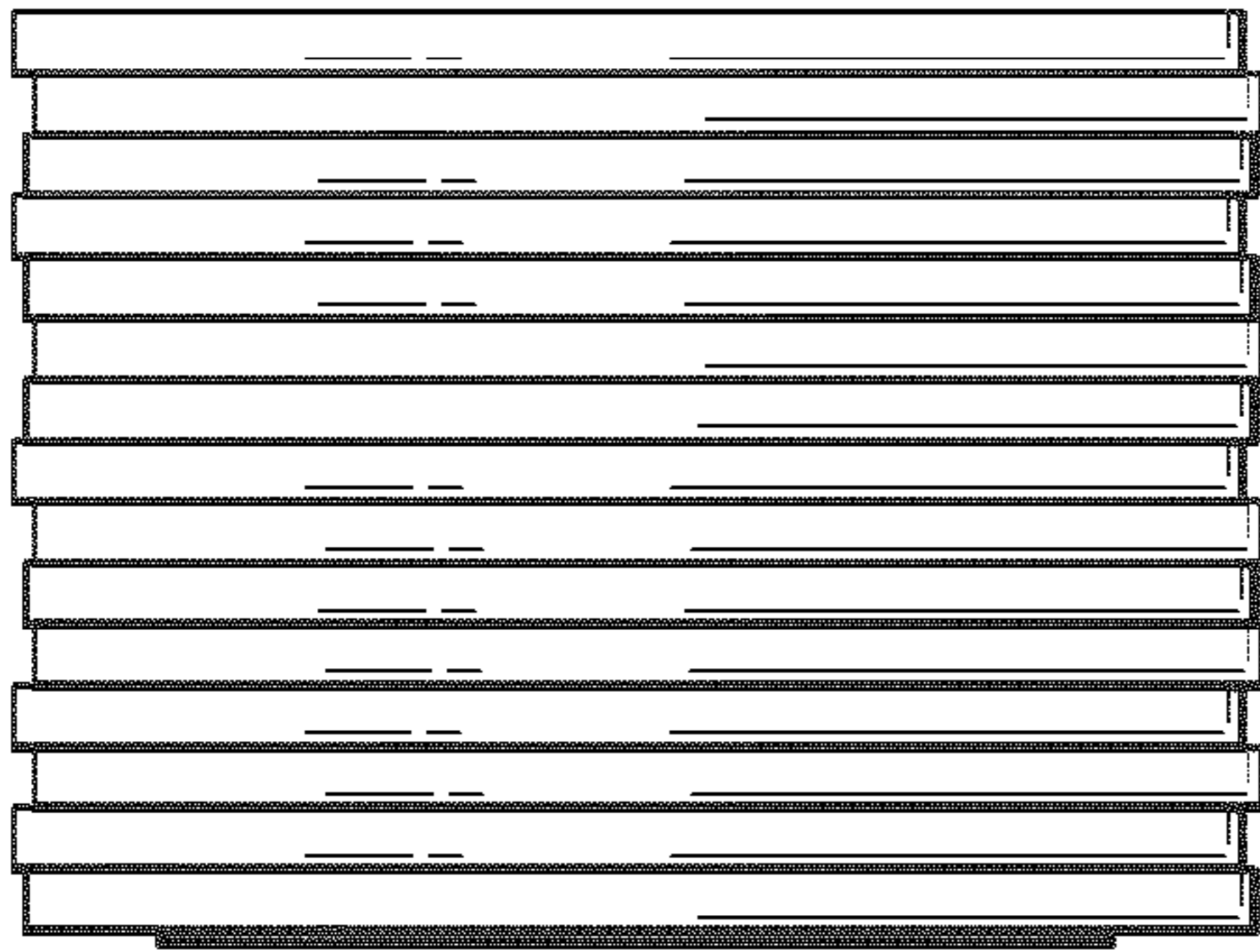


FIG. 3

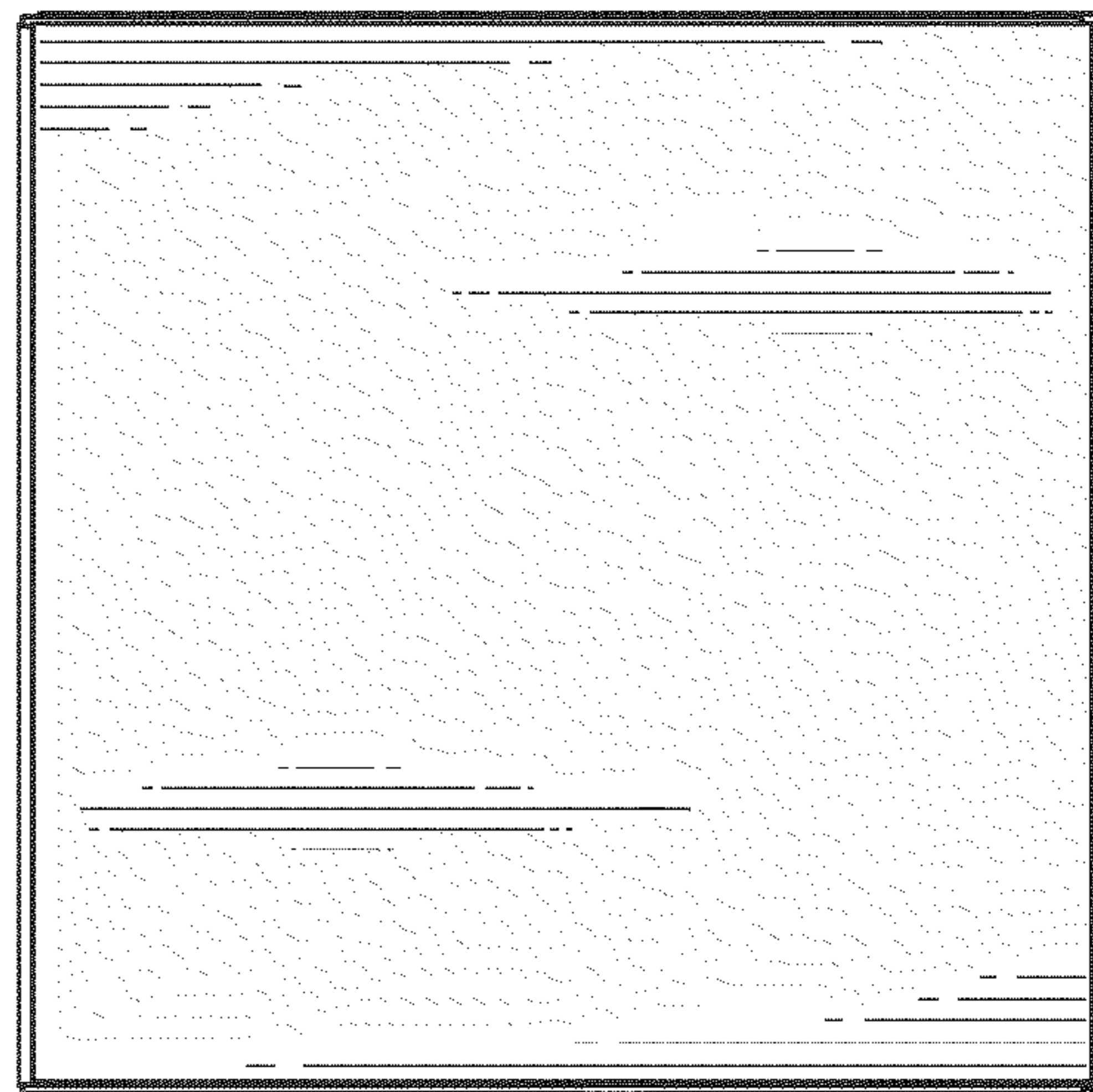


FIG. 4

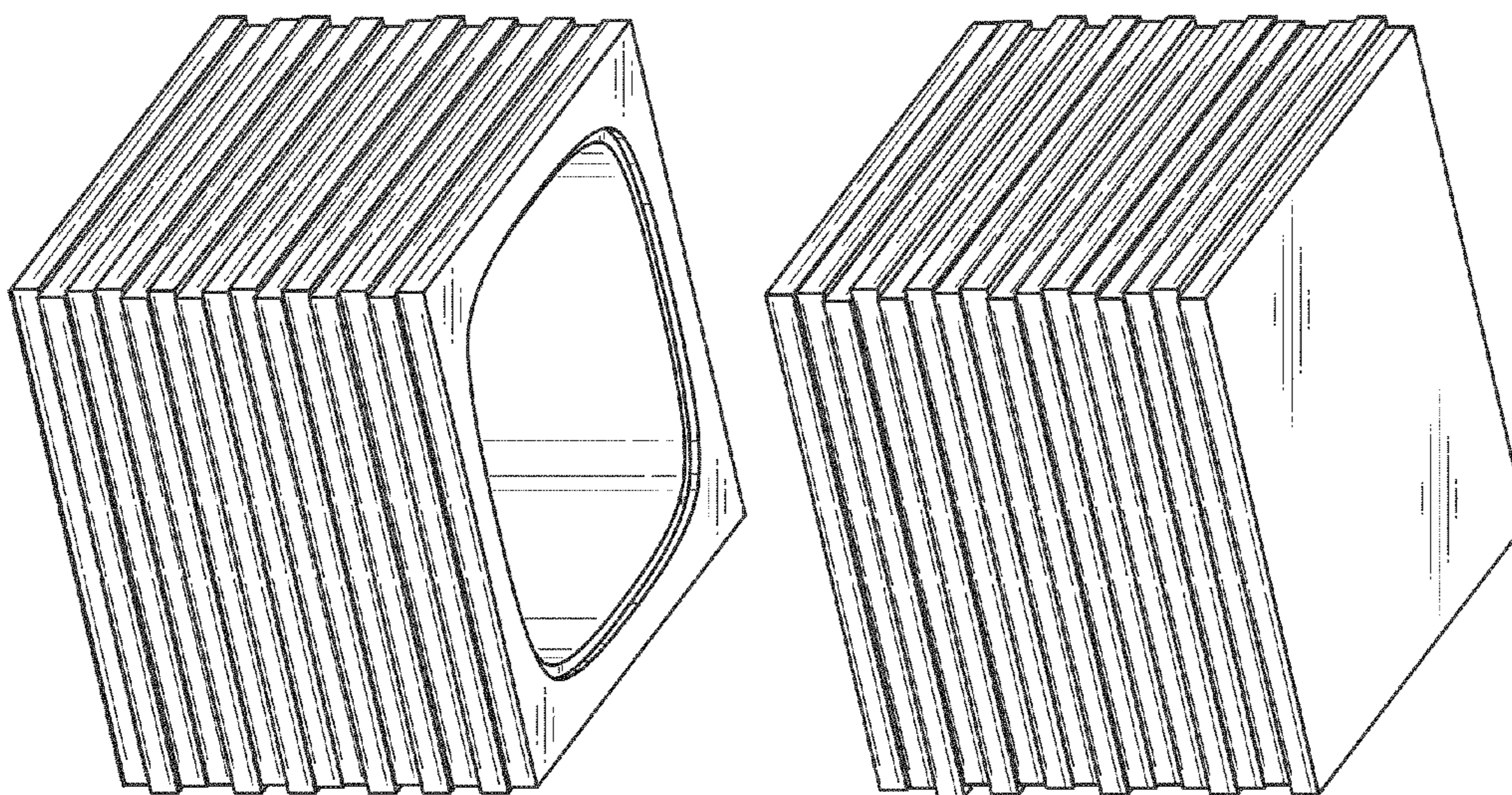


FIG. 6

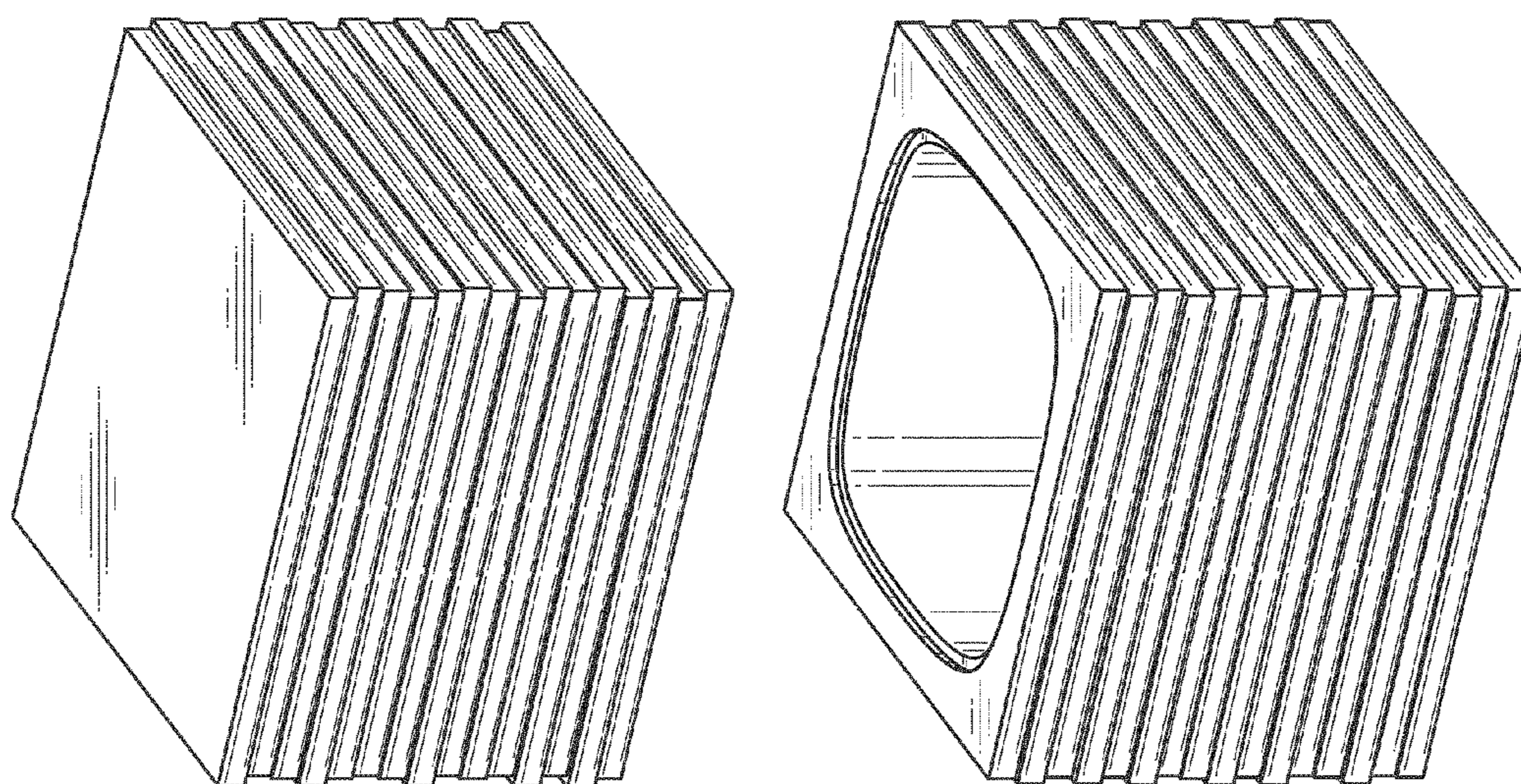


FIG. 5

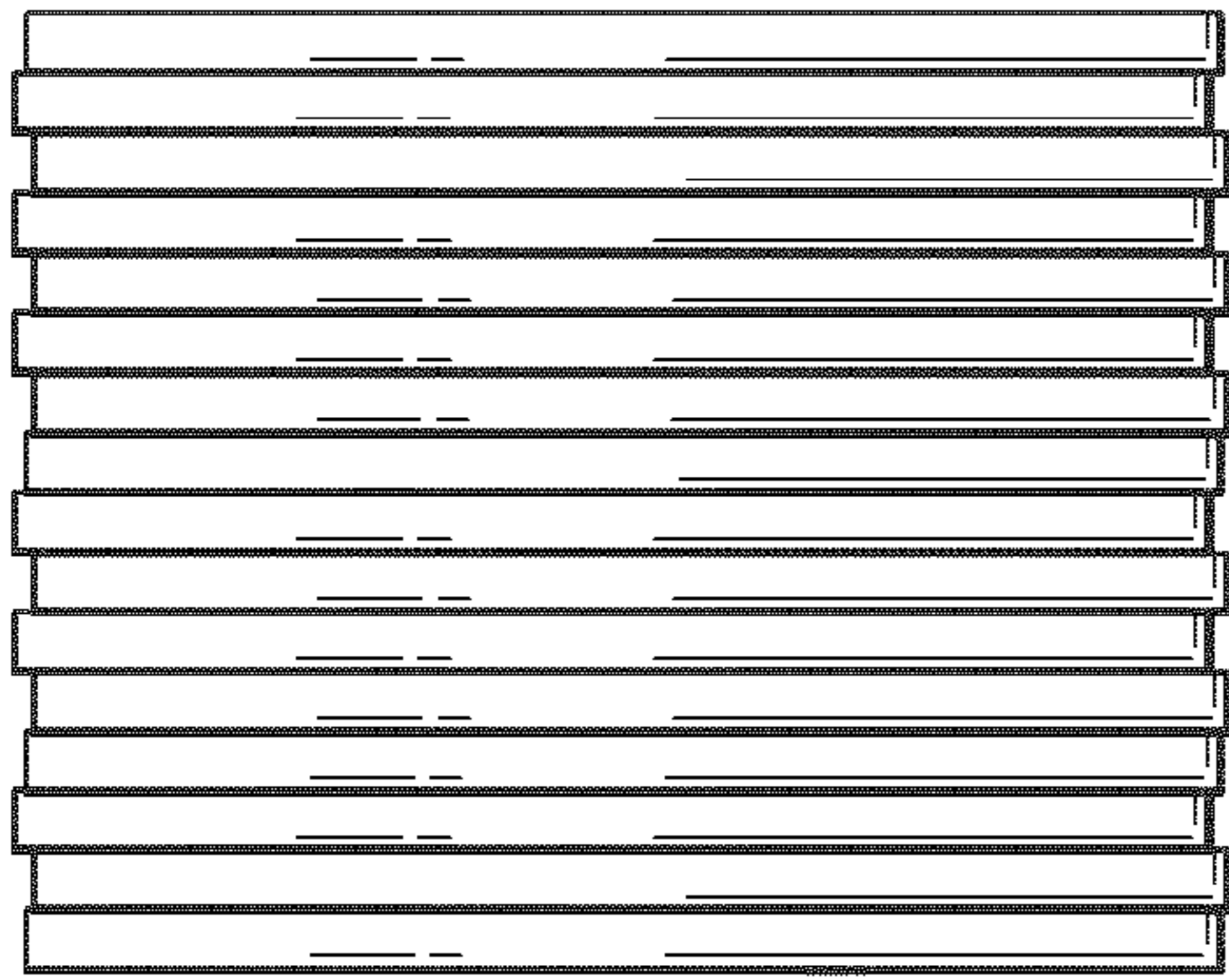
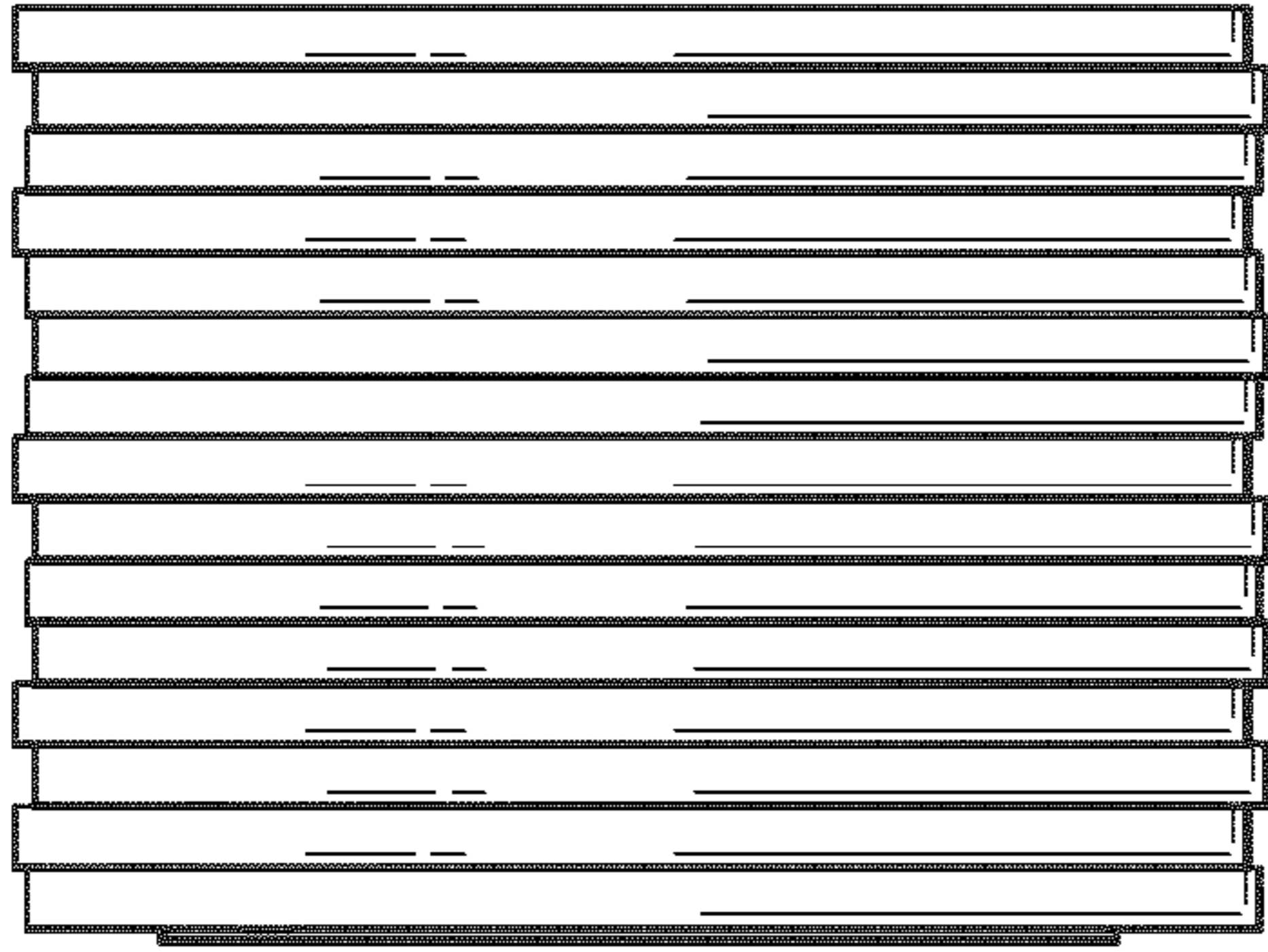


FIG. 7

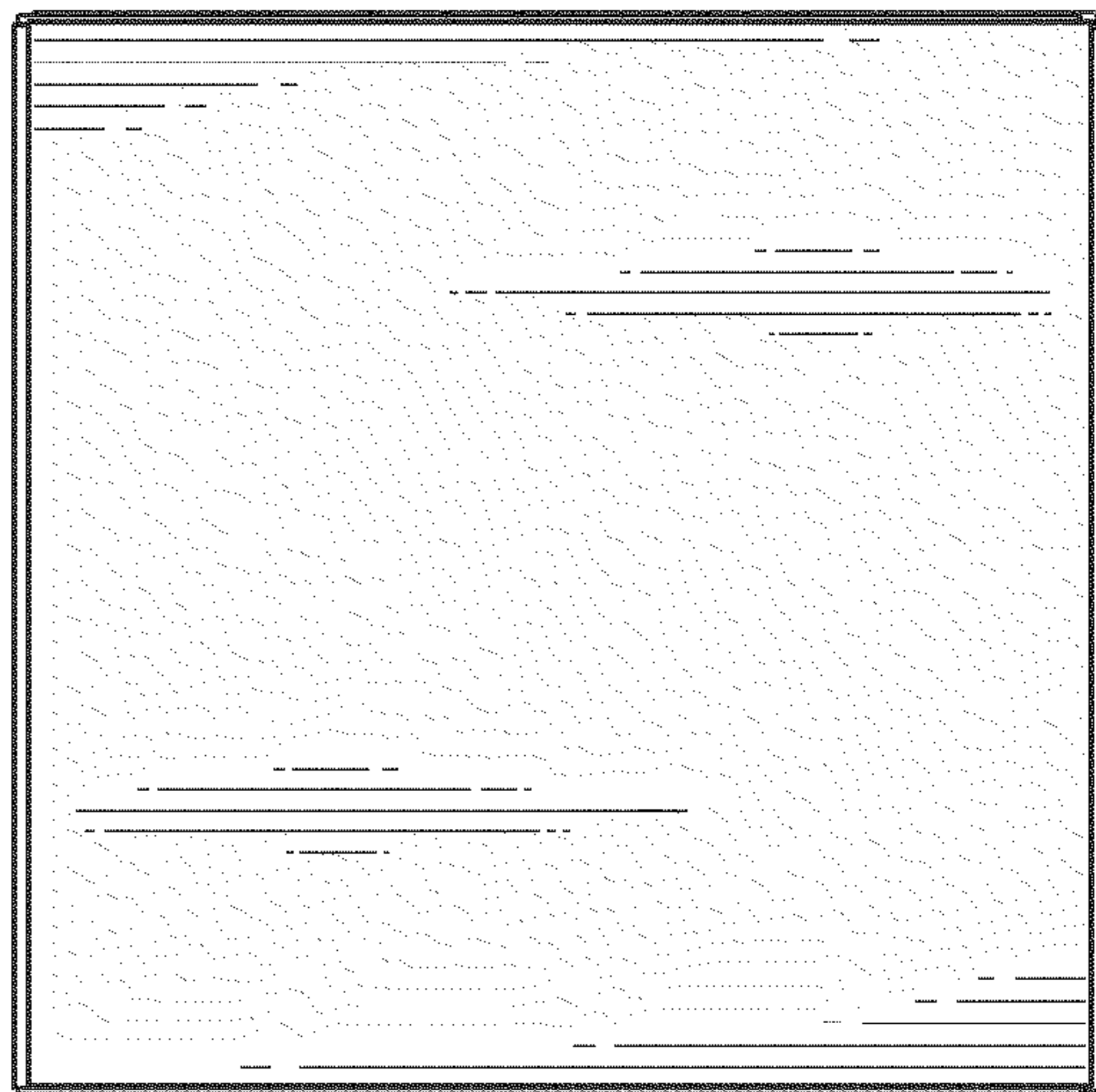


FIG. 8