



US00D580752S

(12) **United States Design Patent**  
**Andre et al.**

(10) **Patent No.:** **US D580,752 S**  
(45) **Date of Patent:** **\*\* Nov. 18, 2008**

(54) **PACKAGE**

(75) Inventors: **Bartley K. Andre**, Menlo Park, CA (US); **Daniel J. Coster**, San Francisco, CA (US); **Daniele De Iuliis**, San Francisco, CA (US); **Richard P. Howarth**, San Francisco, CA (US); **Jonathan P. Ive**, San Francisco, CA (US); **Steve Jobs**, Palo Alto, CA (US); **Duncan Robert Kerr**, San Francisco, CA (US); **Shin Nishibori**, San Francisco, CA (US); **Matthew Dean Rohrbach**, San Francisco, CA (US); **Douglas B. Satzger**, Menlo Park, CA (US); **Calvin Q. Seid**, Palo Alto, CA (US); **Christopher J. Stringer**, Woodside, CA (US); **Eugene Antony Whang**, San Francisco, CA (US); **Rico Zorkendorfer**, San Francisco, CA (US)

(73) Assignee: **Apple Inc.**, Cupertino, CA (US)

(\*\*) Term: **14 Years**

(21) Appl. No.: **29/296,890**

(22) Filed: **Oct. 30, 2007**

**Related U.S. Application Data**

(63) Continuation of application No. 29/265,951, filed on Sep. 11, 2006, now Pat. No. Des. 558,571.

(51) **LOC (8) Cl.** ..... **09-03**

(52) **U.S. Cl.** ..... **D9/432**

(58) **Field of Classification Search** ..... D9/430-433, D9/414-418; 229/105-106, 108, 108.1, 229/100, 112-113, 115-116, 110, 162.1, 229/922, 938; 206/551, 746, 457, 784, 822  
See application file for complete search history.

(56) **References Cited**

**U.S. PATENT DOCUMENTS**

1,315,593 A \* 9/1919 Binder ..... 229/125.08

D111,649 S \* 10/1938 di Domenico ..... D9/418  
D114,891 S \* 5/1939 Fogel ..... D9/418  
D397,552 S 9/1998 Rutledge  
D406,463 S 3/1999 Rutledge  
D411,448 S \* 6/1999 Baker ..... D9/415  
D417,391 S \* 12/1999 Szczepanski et al. .... D9/423  
D541,045 S \* 4/2007 Peart et al. .... D3/291  
D558,571 S 1/2008 Andre et al.  
D558,572 S 1/2008 Andre et al.

**FOREIGN PATENT DOCUMENTS**

EM 546403-0001 8/2006  
JP 61-40925 3/1986  
KR 30-0267299 12/2000  
TW 0488766 7/1990  
TW D105819 8/2005

**OTHER PUBLICATIONS**

U.S. Appl. No. 29/296,491 entitled "Package" filed Oct. 22, 2007.  
U.S. Appl. No. 29/296,791 entitled "Package" filed Oct. 29, 2007.  
U.S. Appl. No. 29/296,502 entitled "Package" filed Oct. 22, 2007.  
U.S. Appl. No. 29/849,176 entitled "Packaging" filed Aug. 31, 2007.  
U.S. Appl. No. 29/284,343 entitled "Packaging" filed Sep. 5, 2007.

\* cited by examiner

*Primary Examiner*—Robert A Delehanty

(74) *Attorney, Agent, or Firm*—Sterne, Kessler, Goldstein & Fox P.L.L.C.

(57) **CLAIM**

We claim the ornamental design for a package, substantially as shown and described.

**DESCRIPTION**

More generally, the invention pertains to package for an article of manufacture such as a media device or an electronic device.

FIG. 1 is a perspective view of a package in accordance with the present design. The package can, for example, be used to package a first electronic device such as a media device (e.g., media player).

FIG. 2 is a front view for the package with the first electronic device.

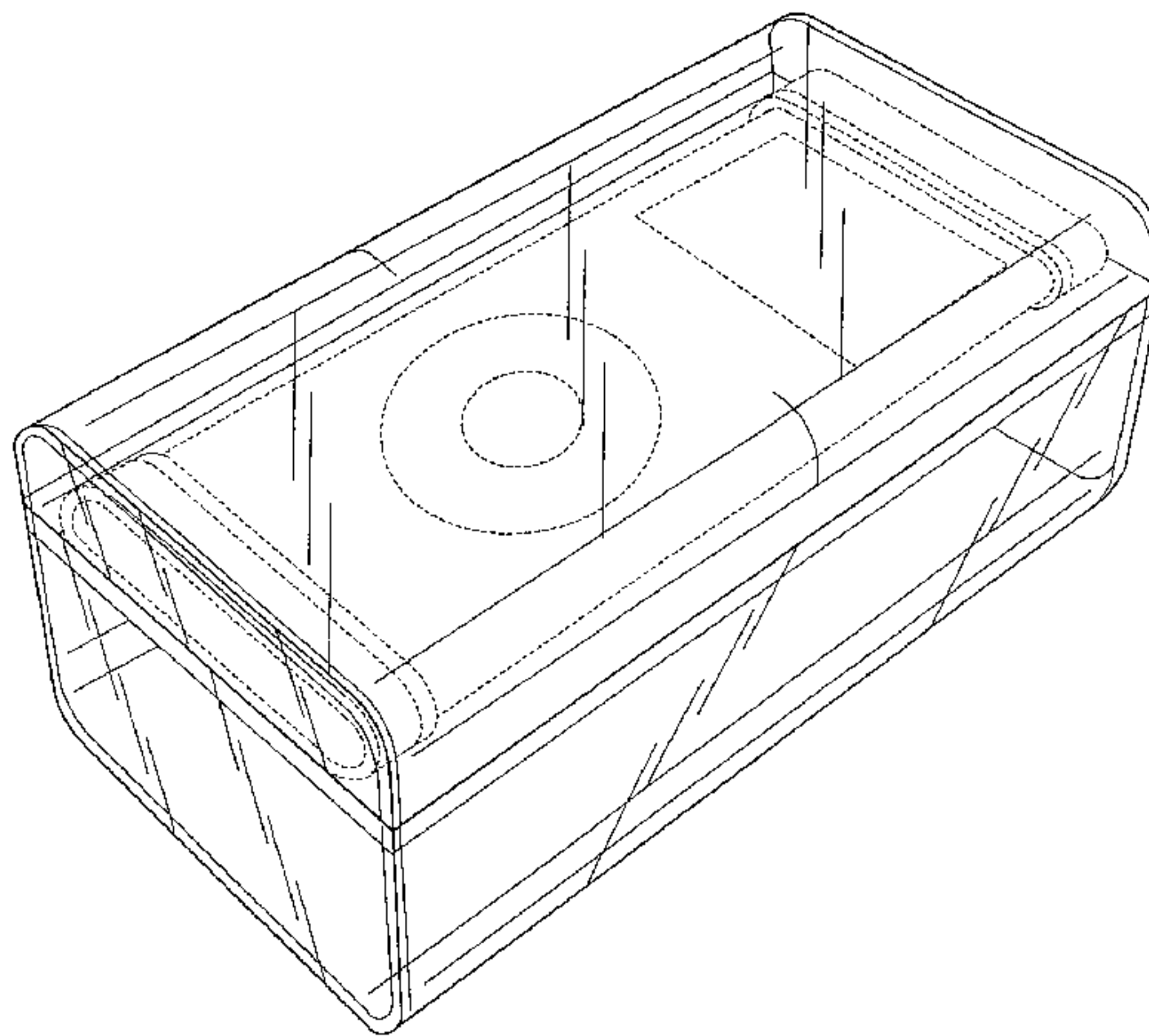


FIG. 3 is a side view for the package with the first electronic device.

FIG. 4 is a top or bottom view for the package with the first electronic device.

FIG. 5 is an exploded perspective view of the package showing a lid, first electronic device, first electronic device holder, and base.

FIG. 6 is another perspective view of the package in accordance with the present design. The package can, for example, be used to package a second electronic device such as a media device (e.g., media player).

FIG. 7 is a front view for the package with the second electronic device.

FIG. 8 is a side view for the package with the second electronic device.

FIG. 9 is a top or bottom view for the package with the second electronic device.

FIG. 10 is an exploded perspective view of the package showing a lid, second electronic device, second electronic device holder, and base.

FIG. 11 is a front view of the base.

FIG. 12 is a rear view of the base.

FIG. 13 is a left or right side view of the base.

FIG. 14 is a top or bottom view of the base.

FIG. 15 is a front view of the lid.

FIG. 16 is a rear view of the lid.

FIG. 17 is a left or right side view of the lid.

FIG. 18 is a top or bottom view of the lid.

FIG. 19 is a front view of the first electronic device holder.

FIG. 20 is a rear view of the first electronic device holder.

FIG. 21 is a left or right side view of the first electronic device holder.

FIG. 22 is a top or bottom view of the first electronic device holder.

FIG. 23 is a front view of the second electronic device holder.

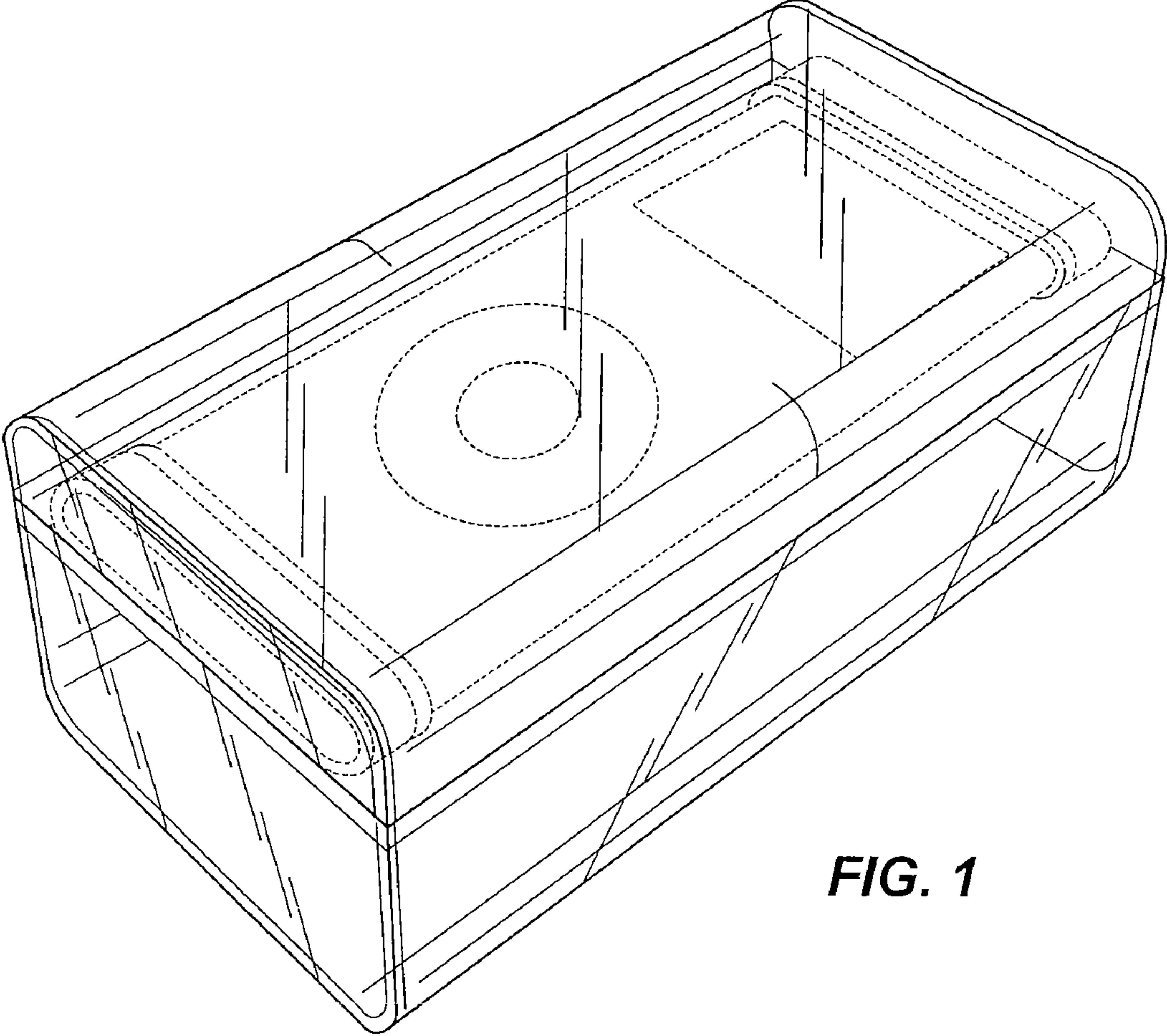
FIG. 24 is a rear view of the second electronic device holder.

FIG. 25 is a left or right side view of the second electronic device holder; and,

FIG. 26 is a top or bottom view of the second electronic device holder.

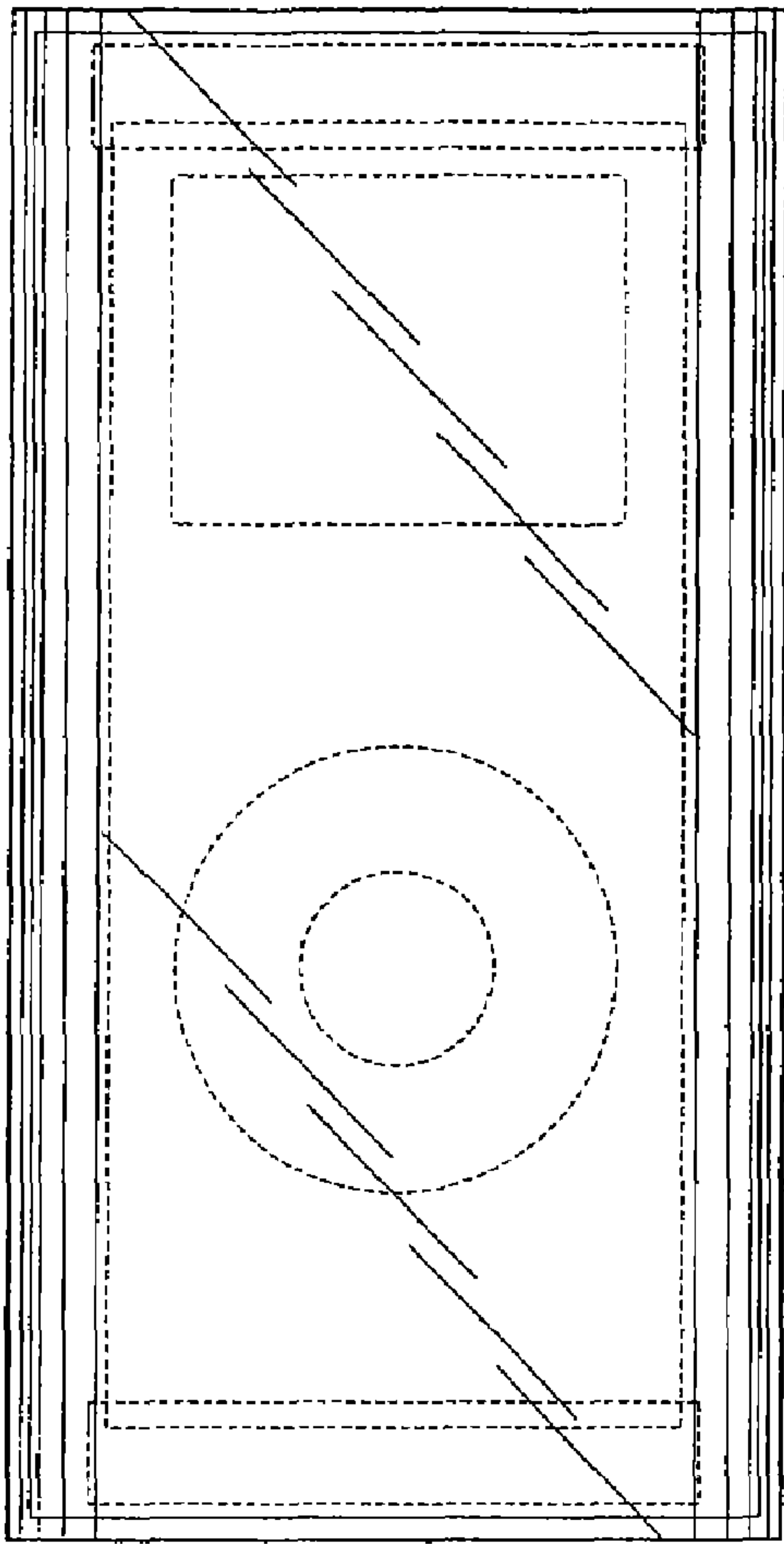
The features shown in broken lines in the various Figures are for illustrating environmental structure and form no part of the claimed design.

**1 Claim, 10 Drawing Sheets**

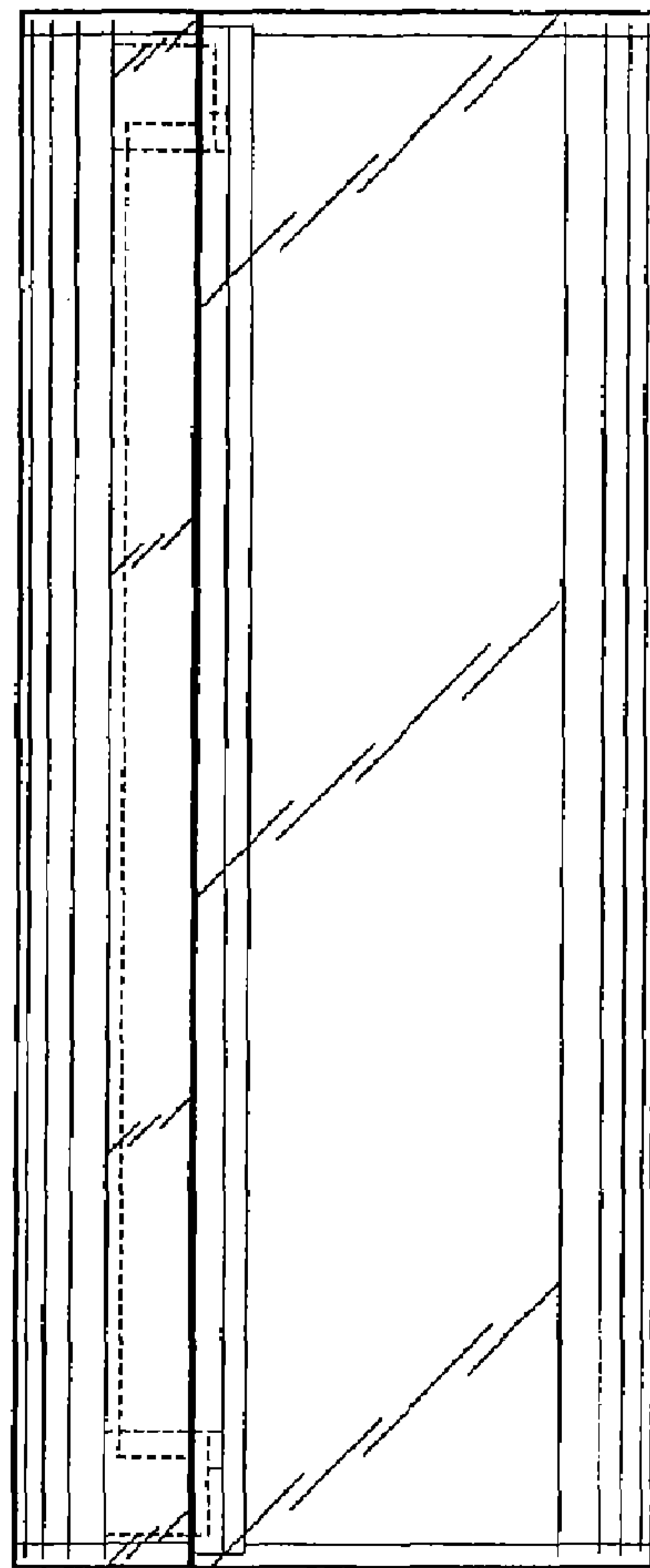


**FIG. 1**

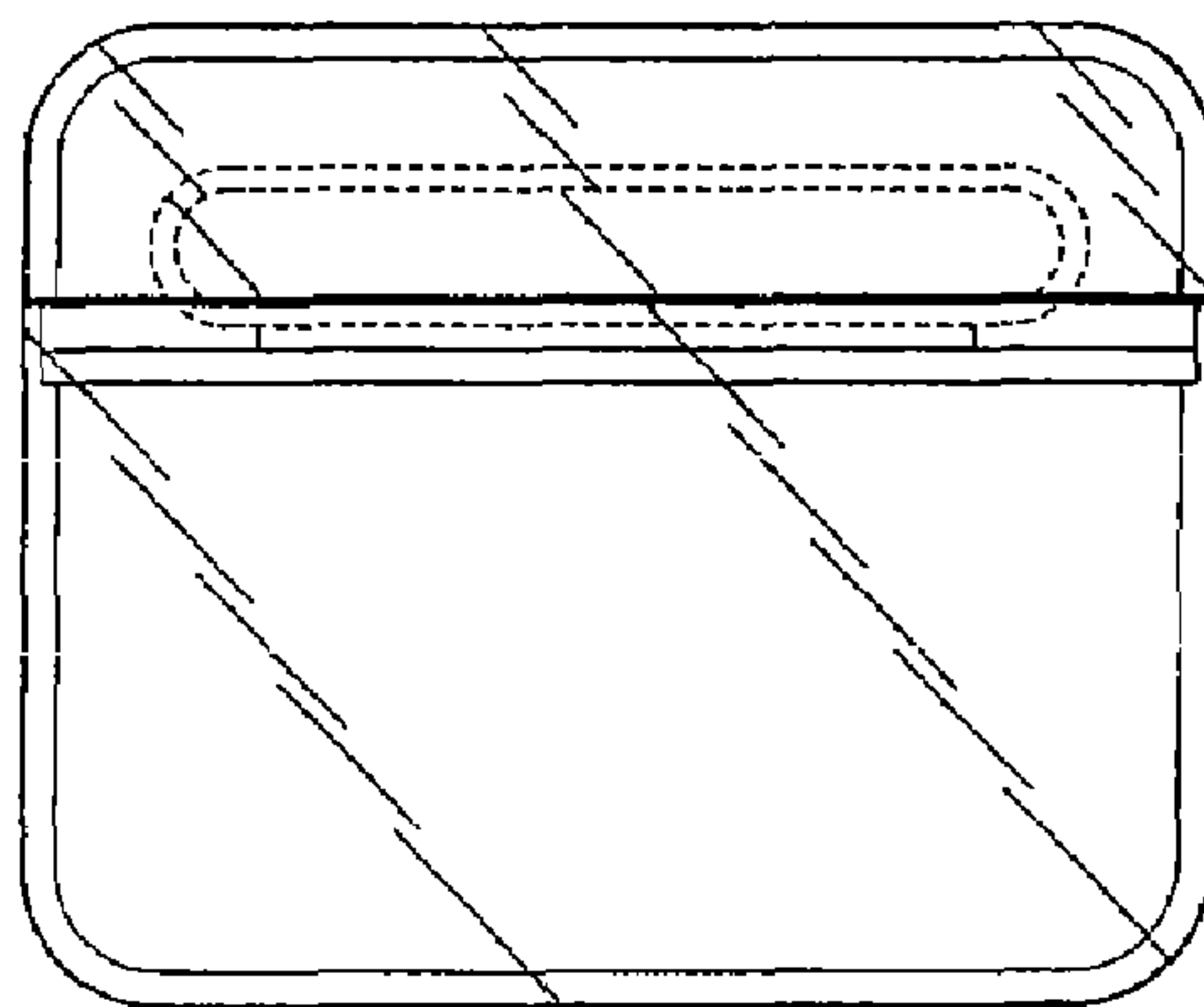




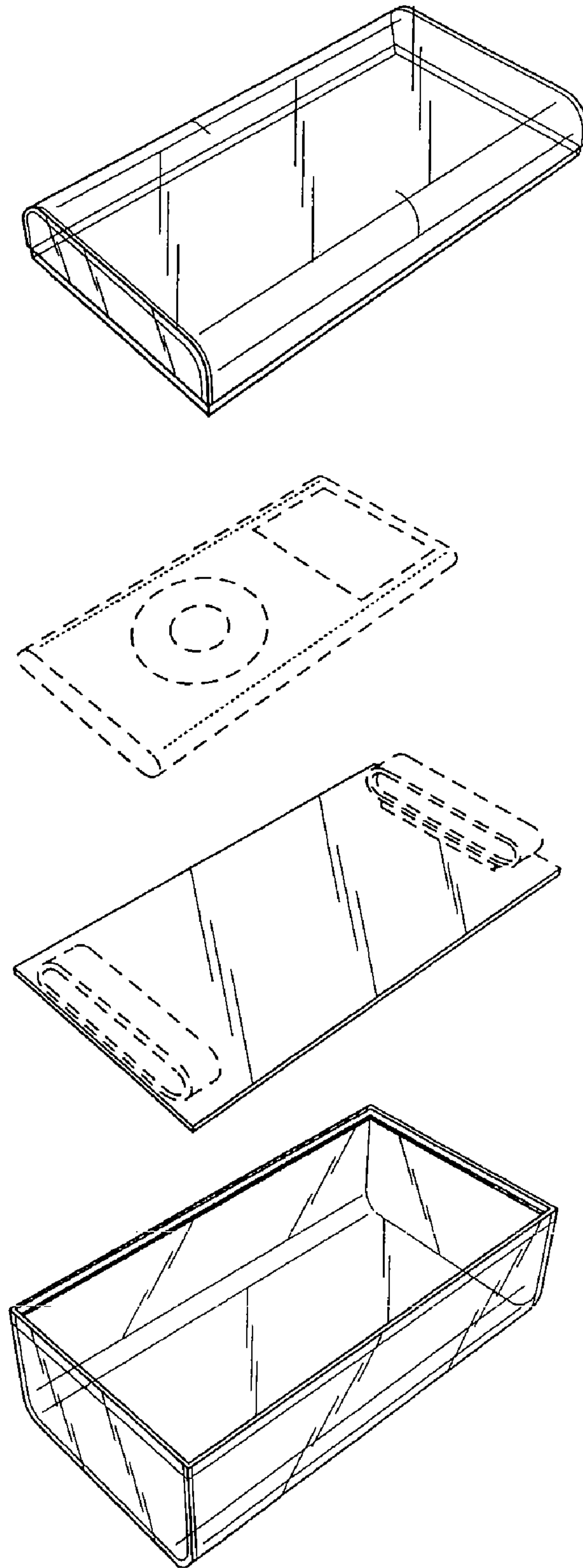
**FIG. 2**



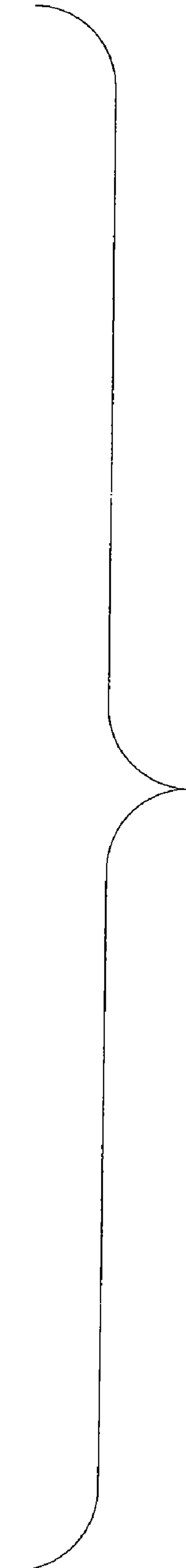
**FIG. 3**

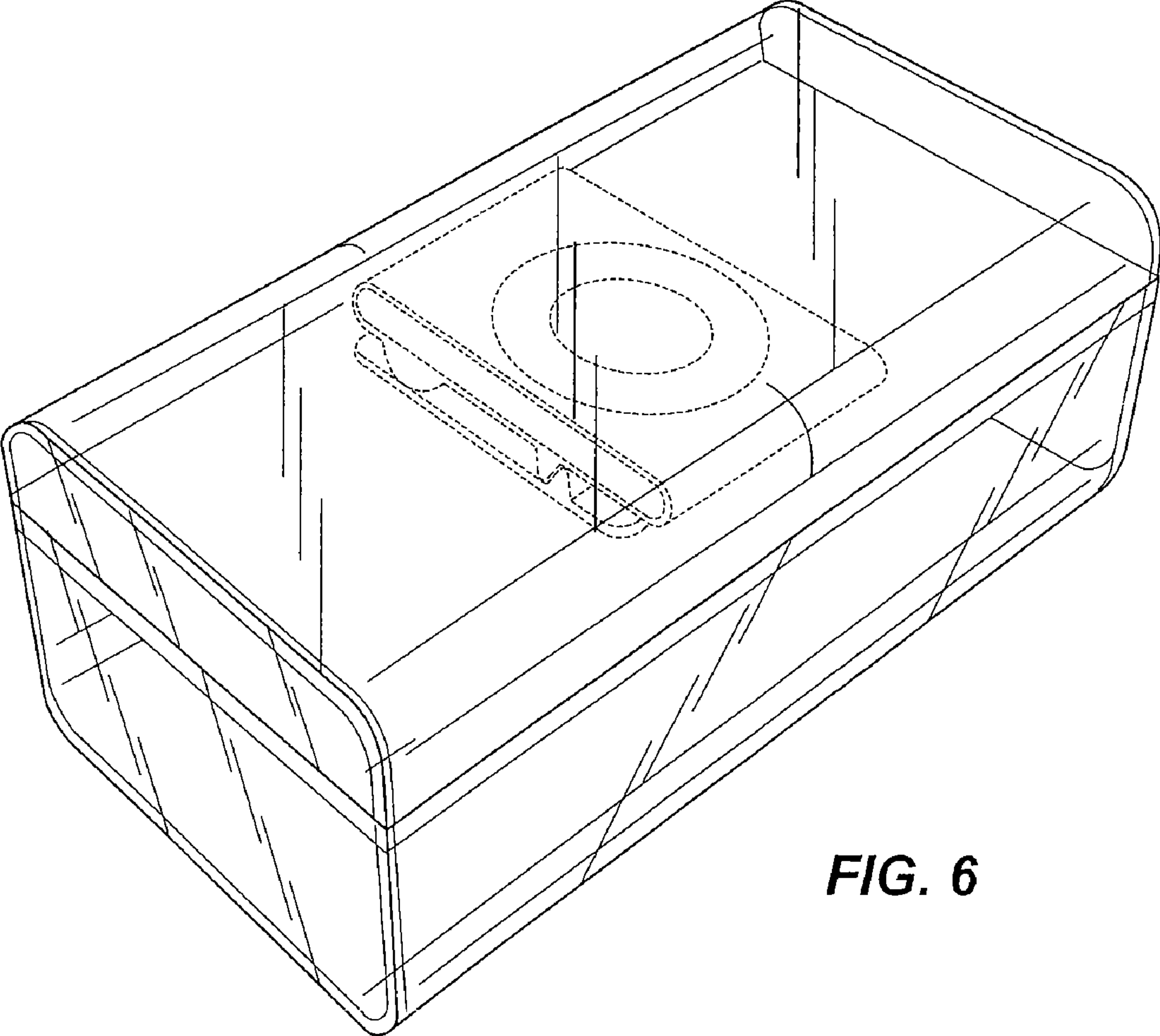


**FIG. 4**

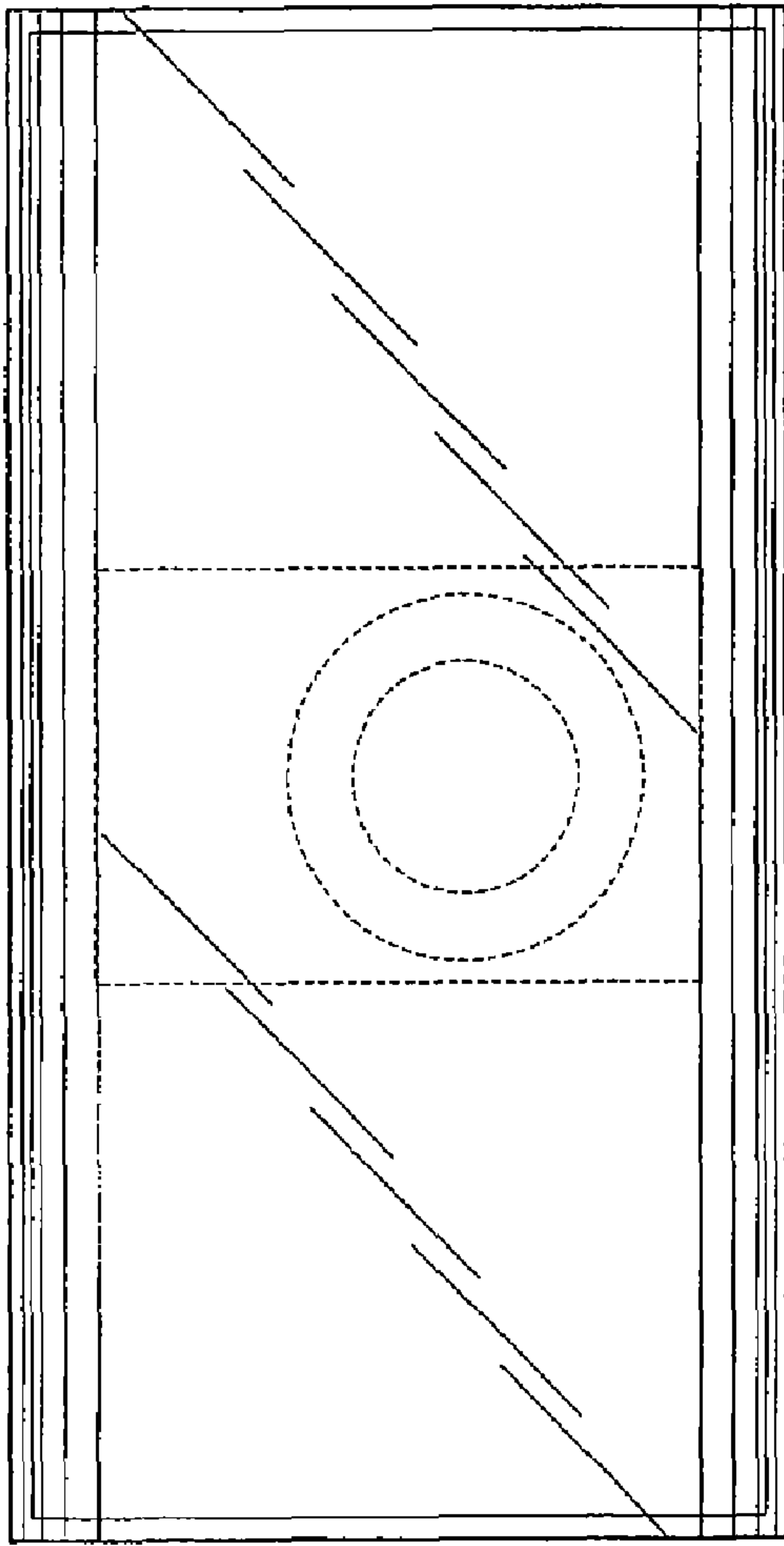


**FIG. 5**

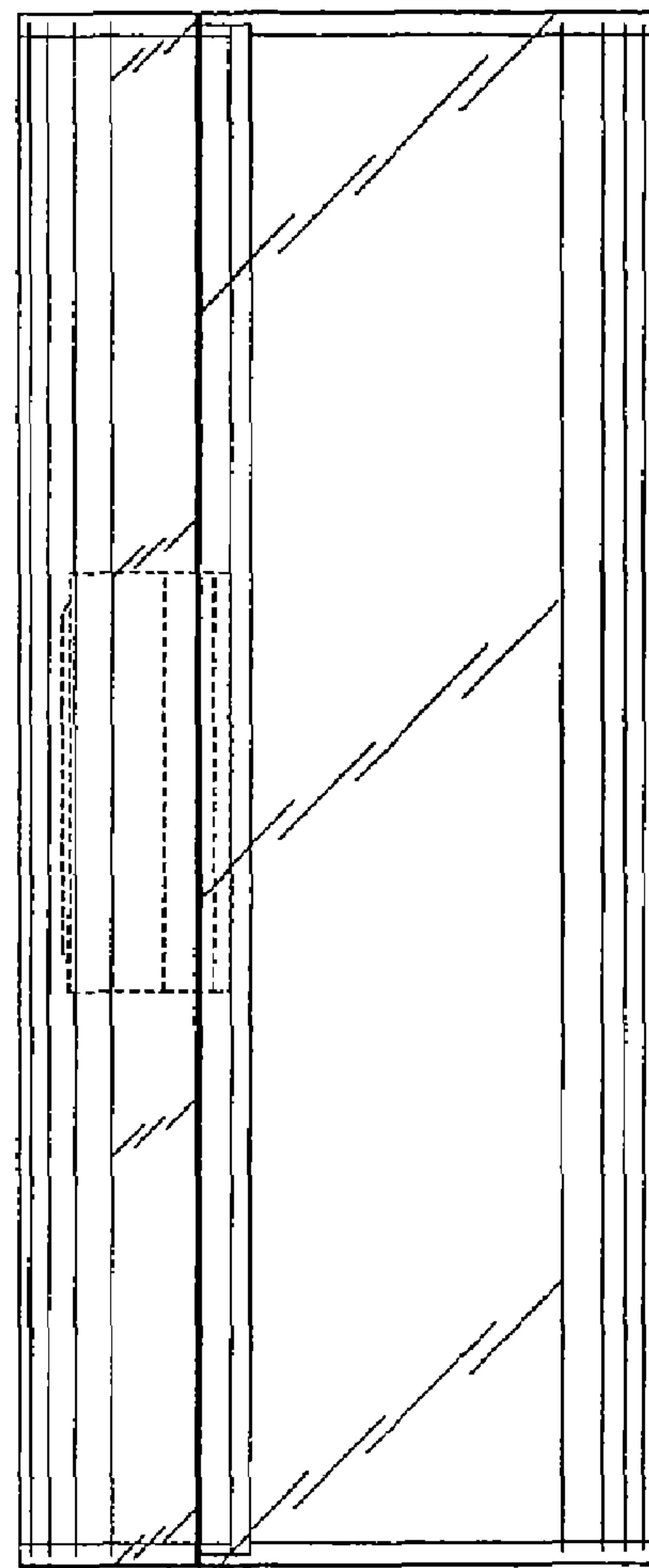




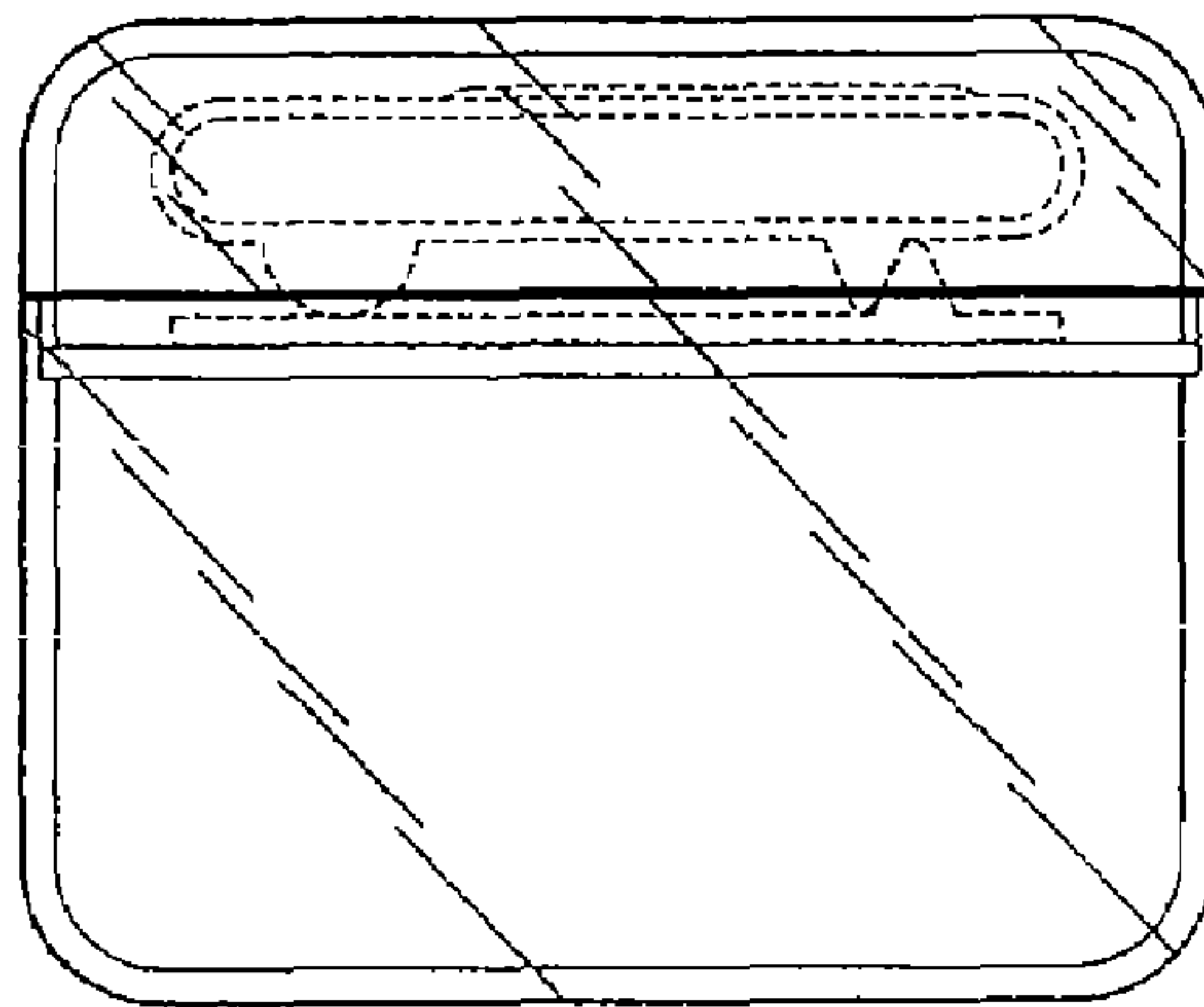
**FIG. 6**



**FIG. 7**



**FIG. 8**



**FIG. 9**

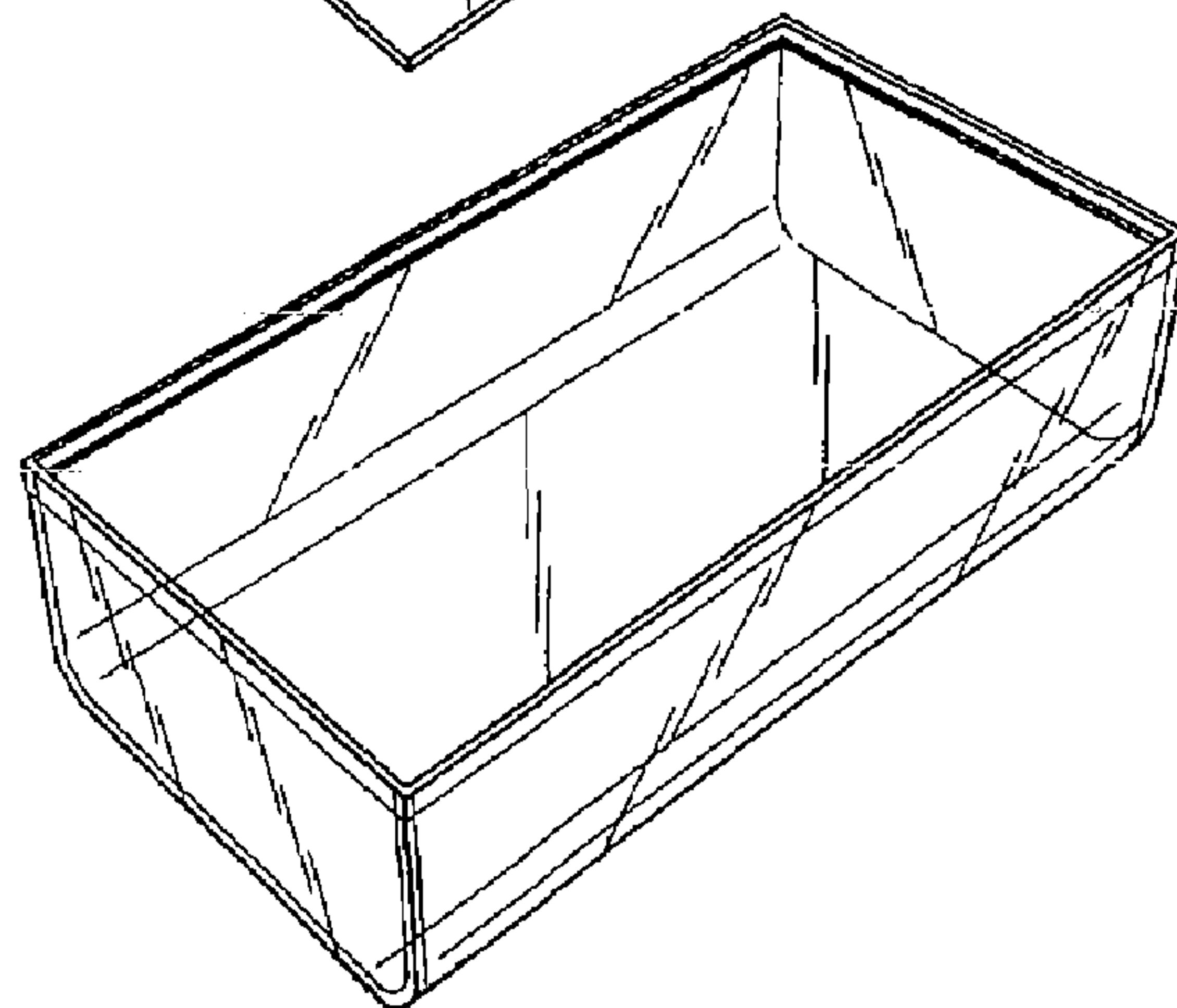
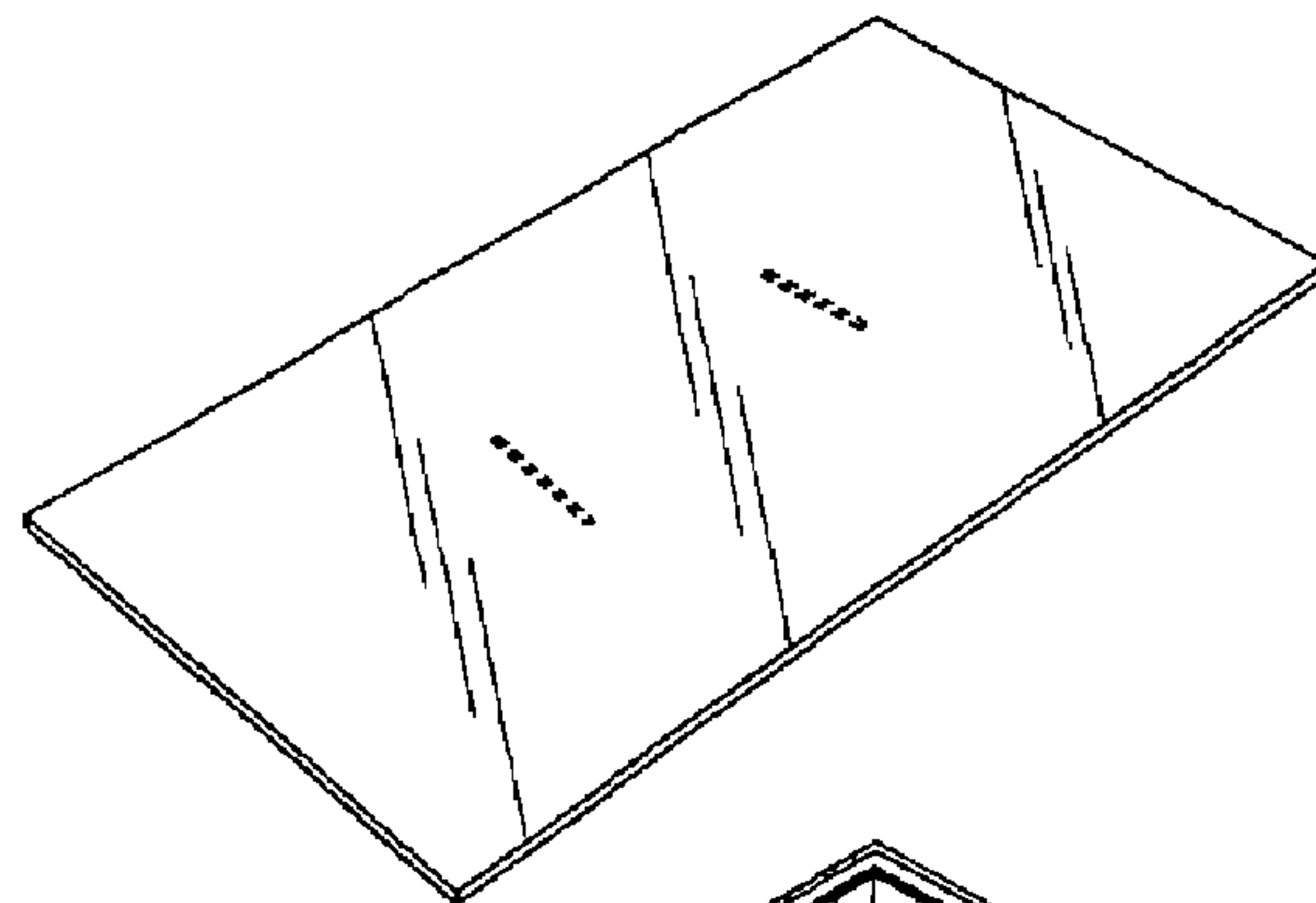
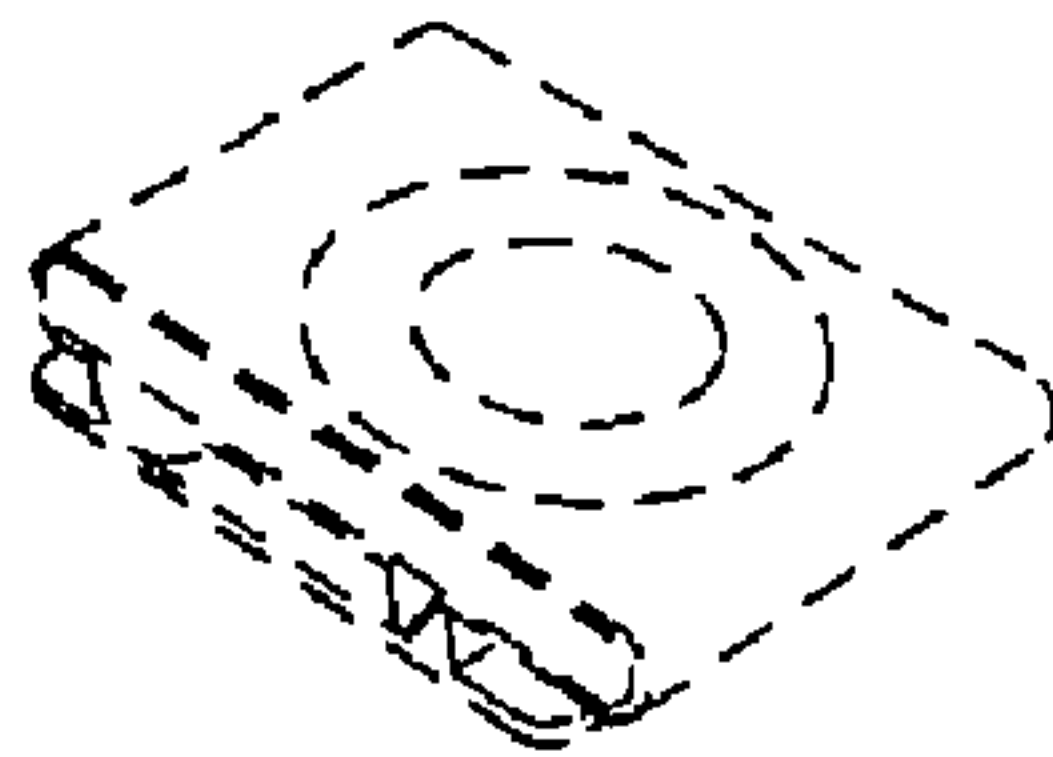
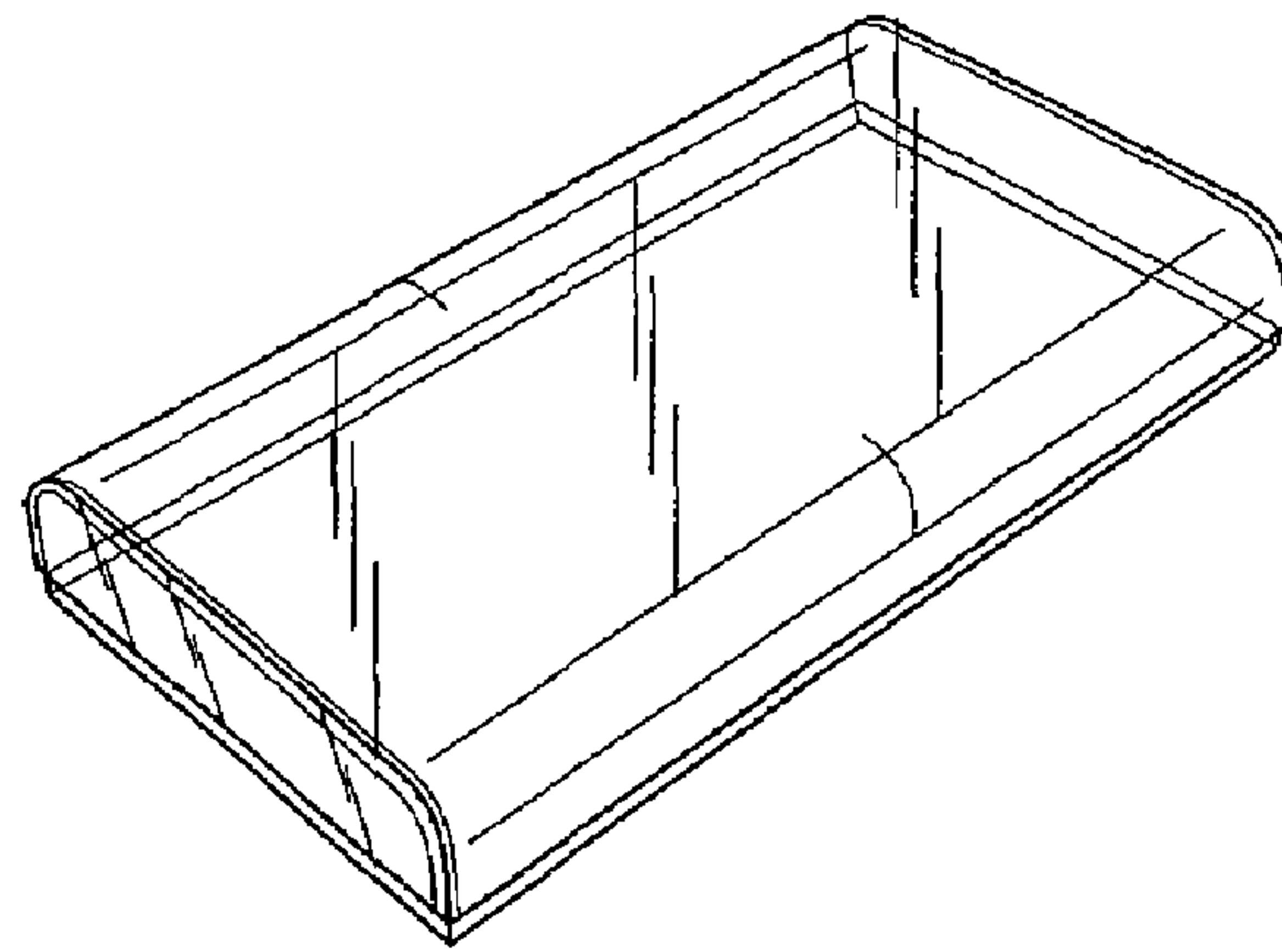
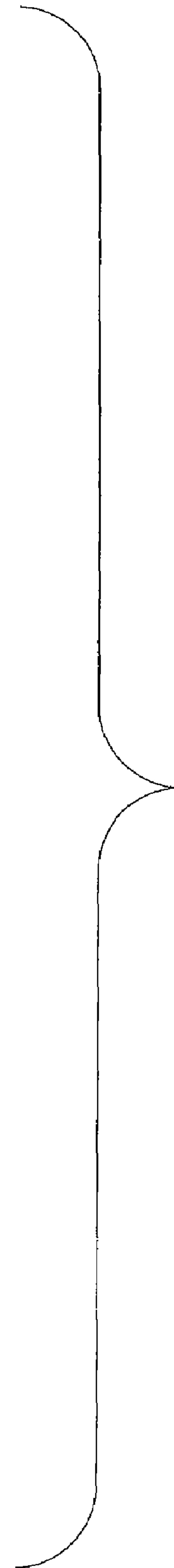
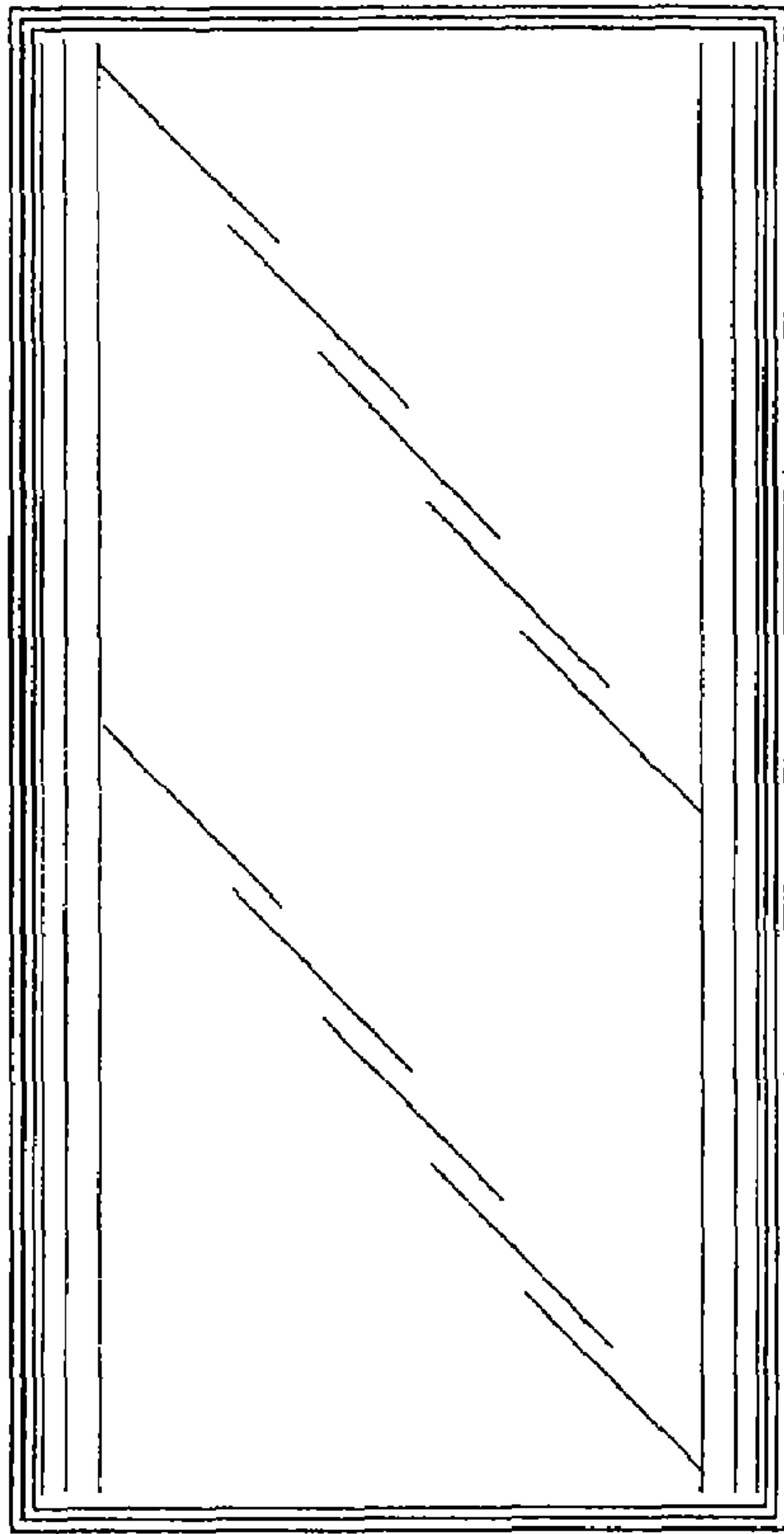


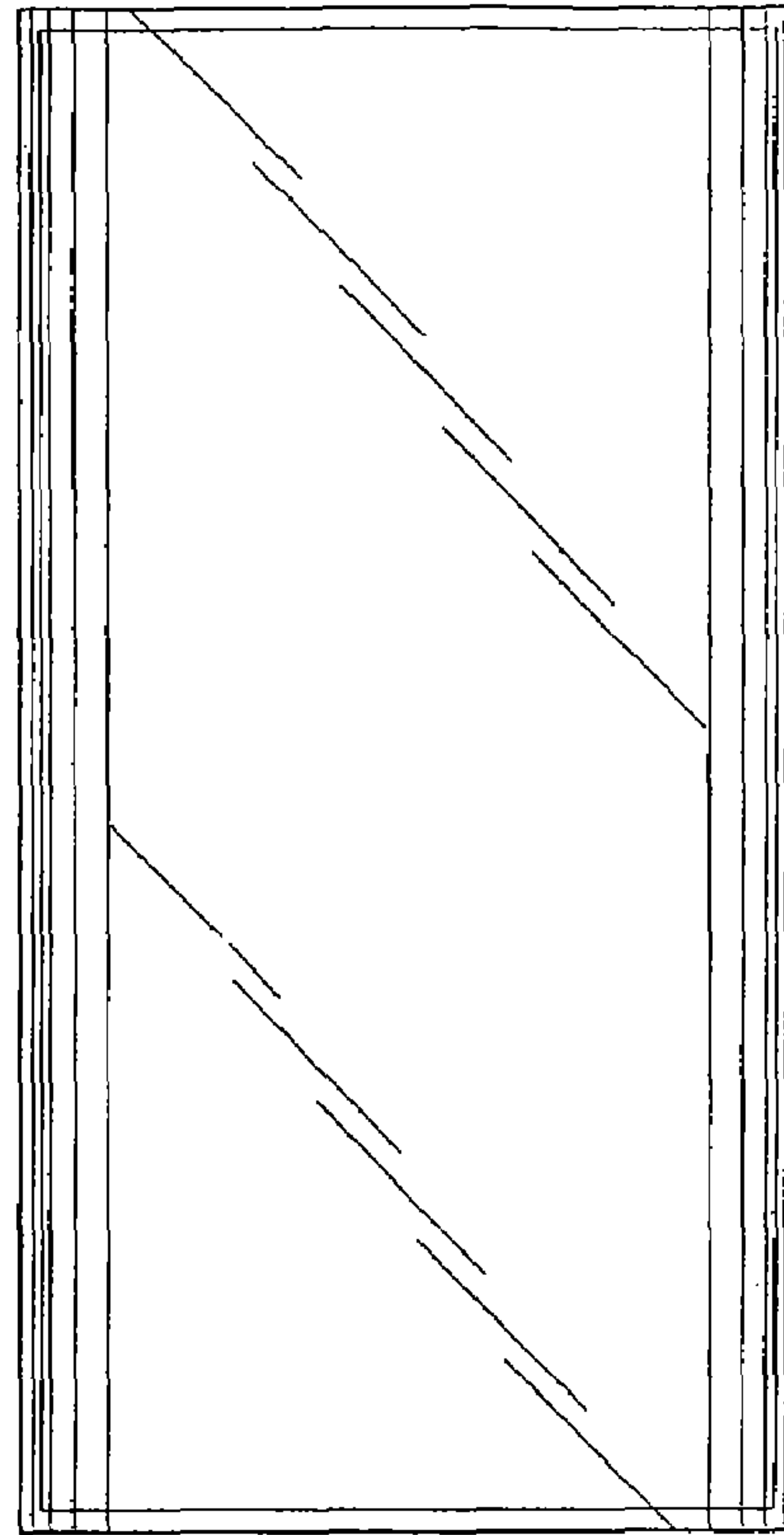
FIG. 10



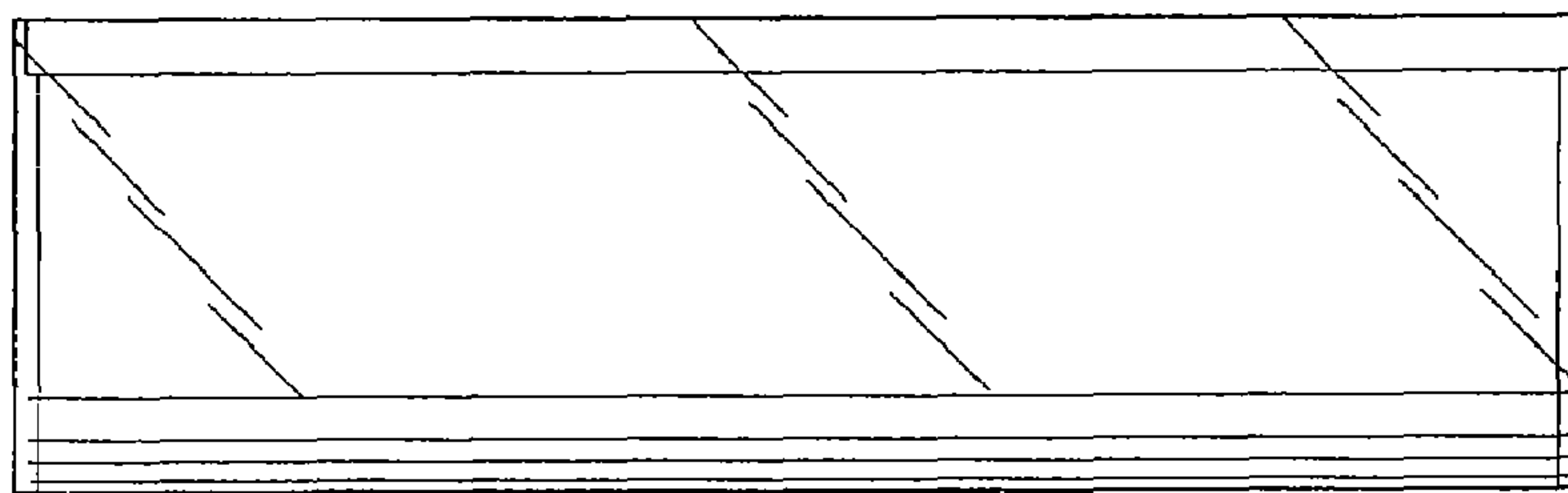




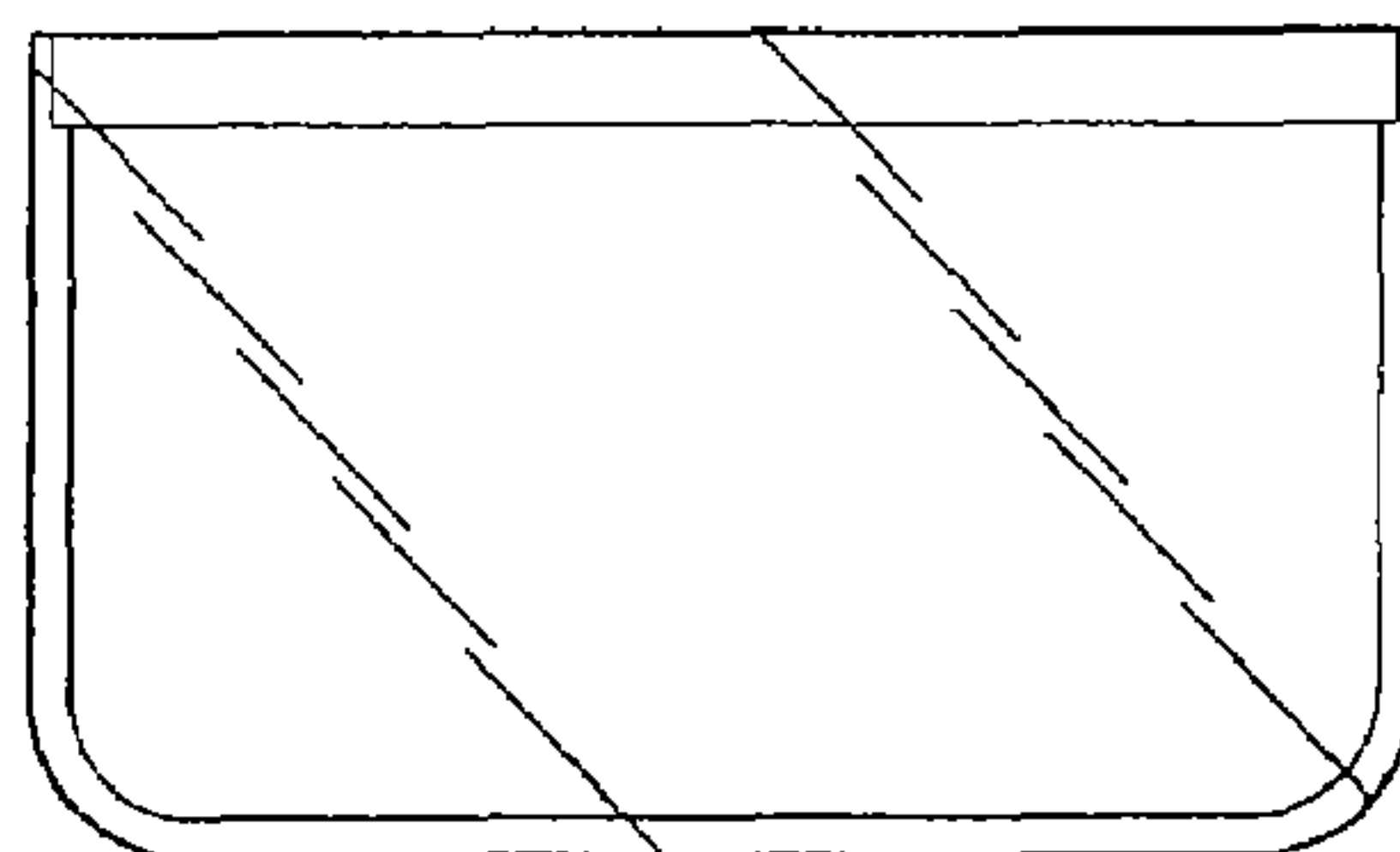
**FIG. 11**



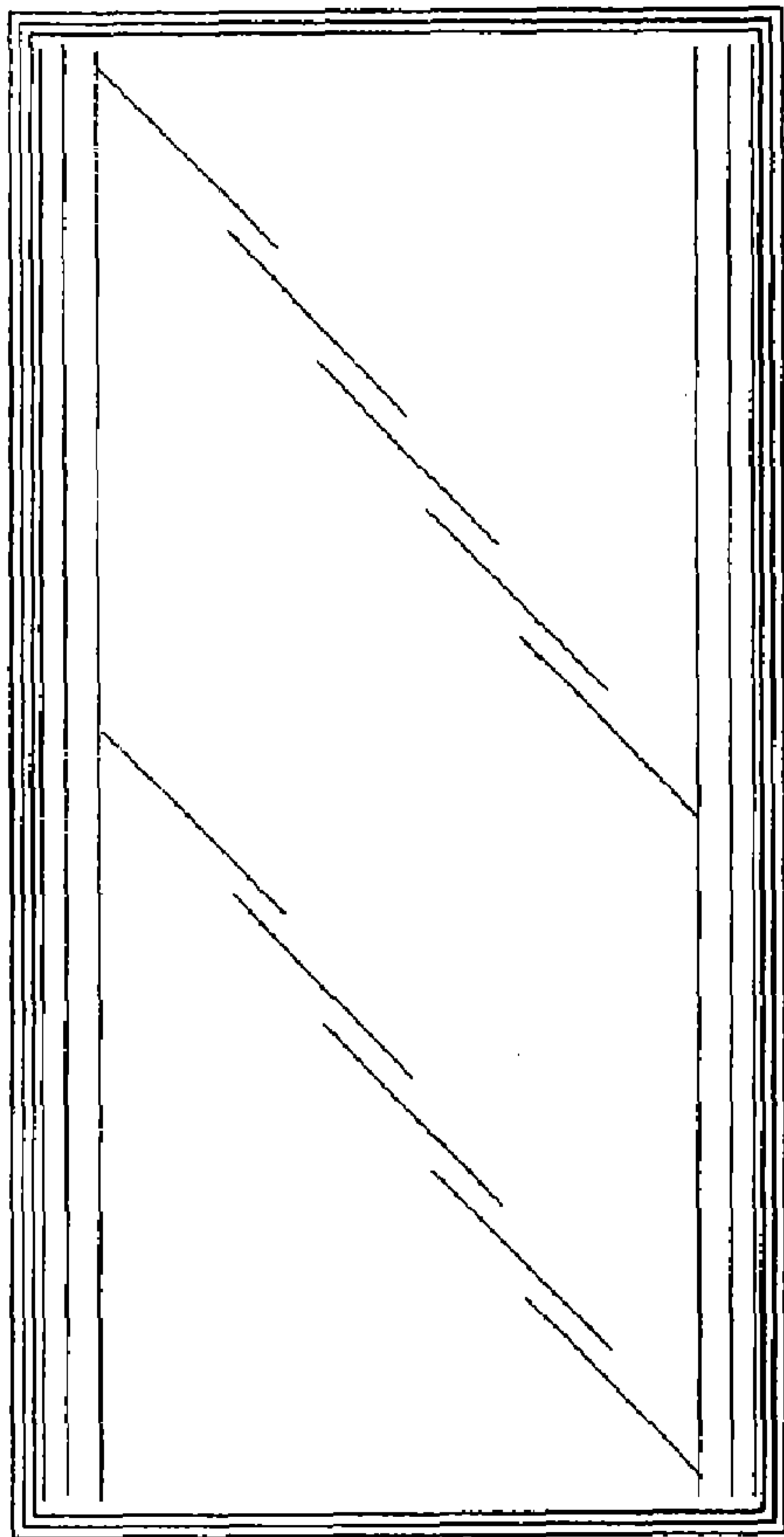
**FIG. 12**



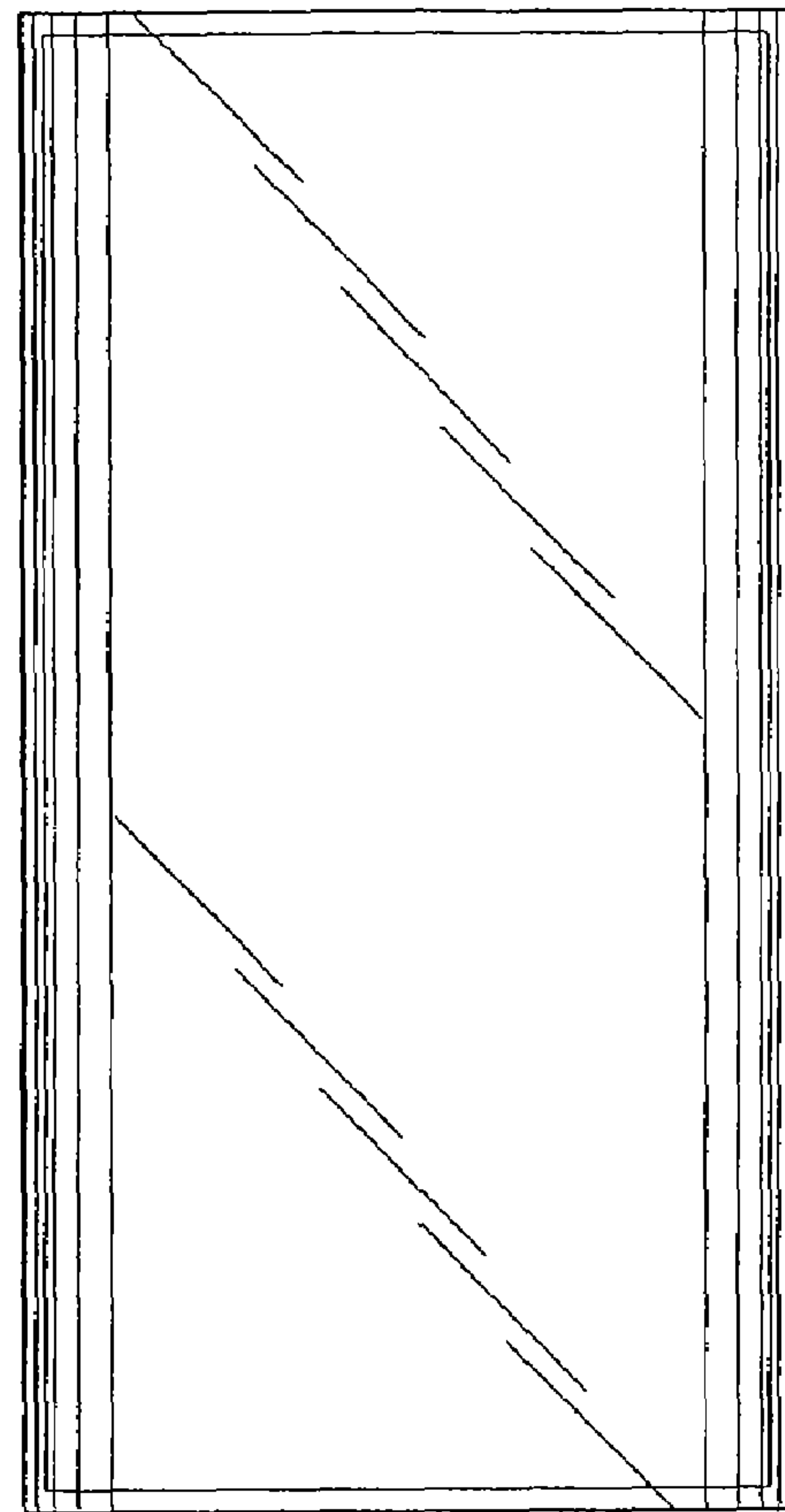
**FIG. 13**



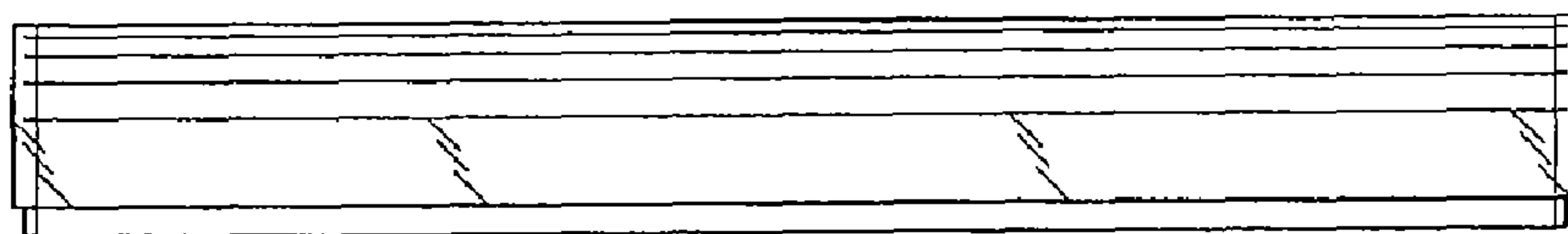
**FIG. 14**



**FIG. 15**



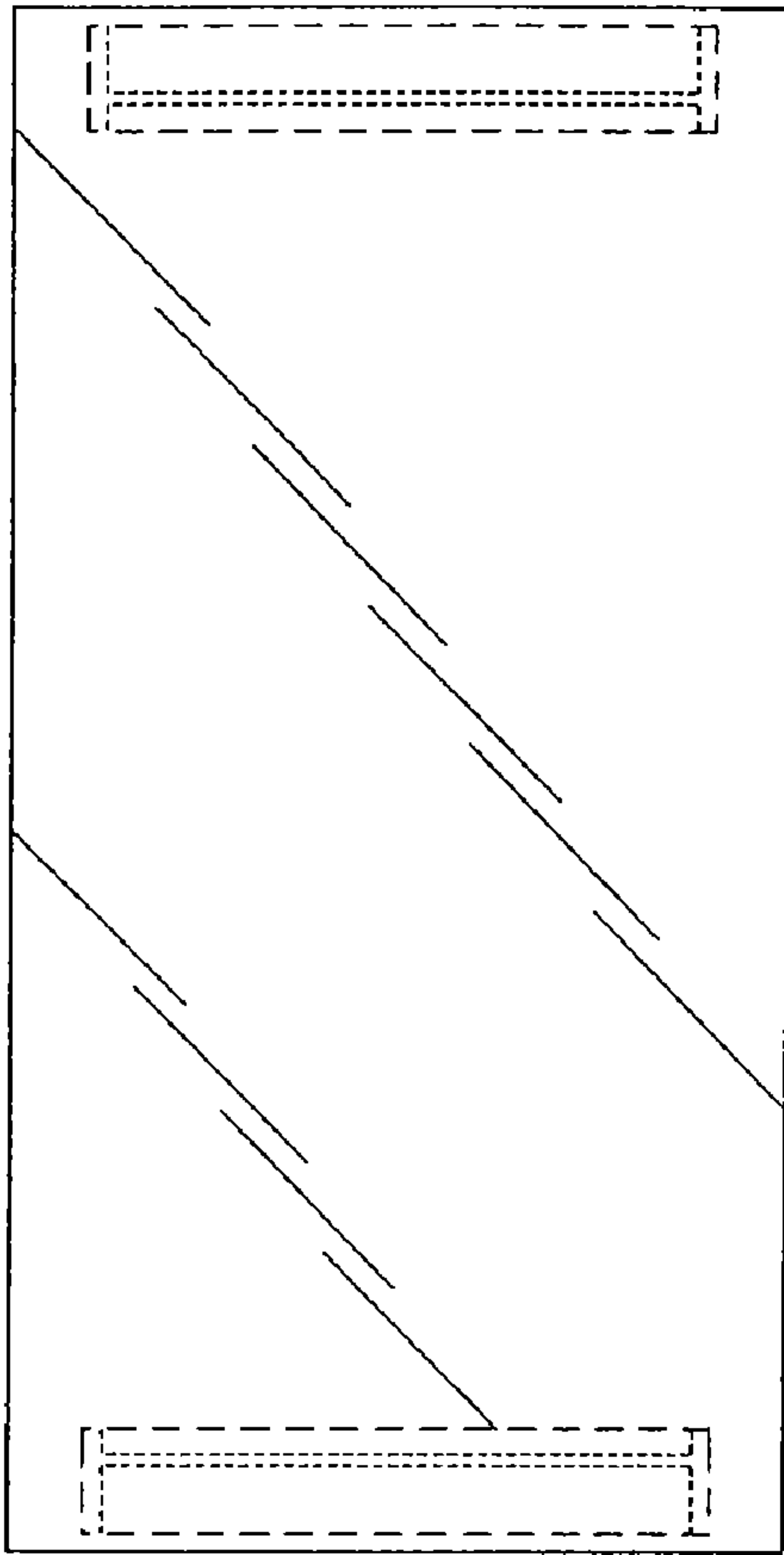
**FIG. 16**



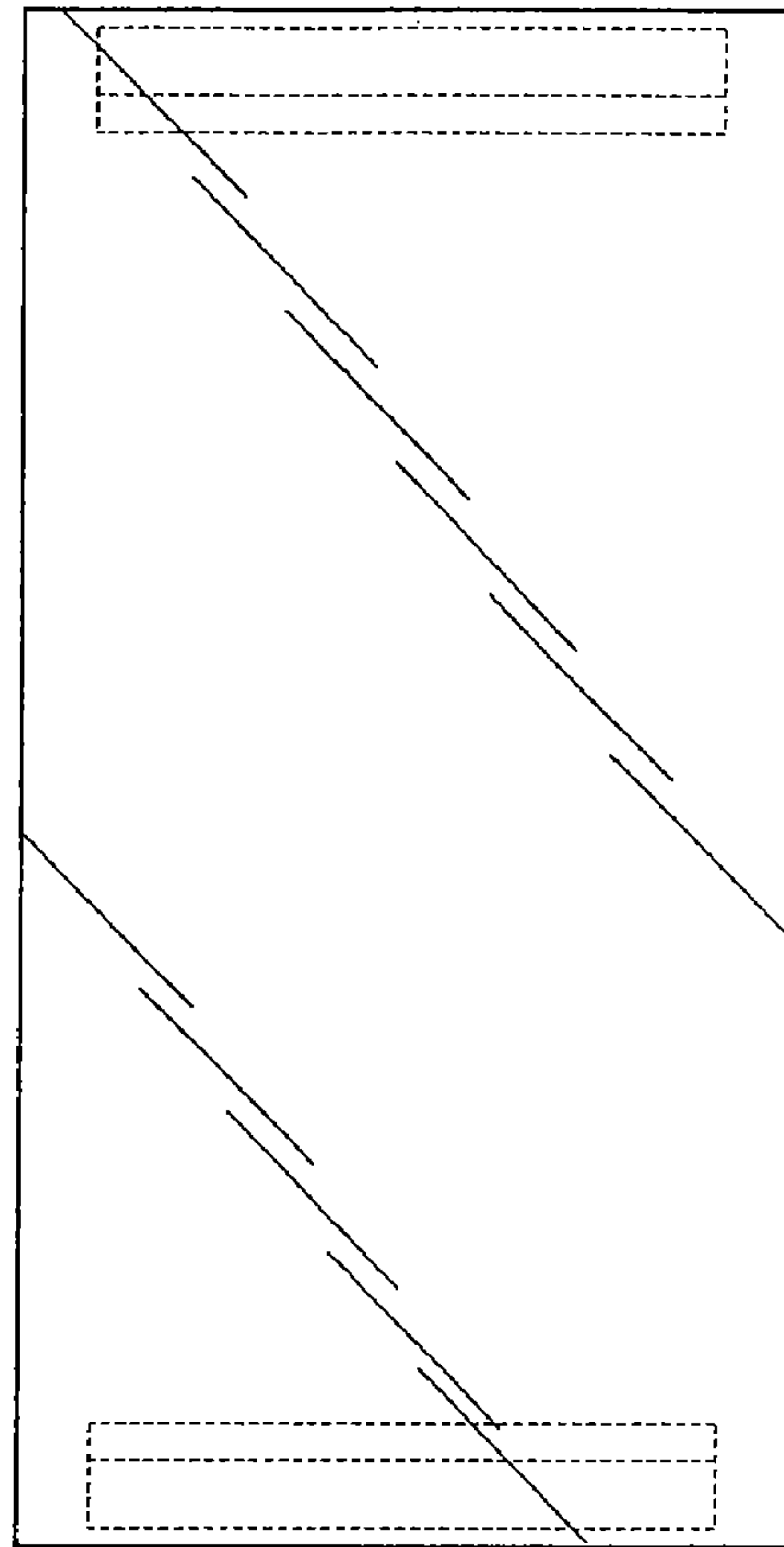
**FIG. 17**



**FIG. 18**



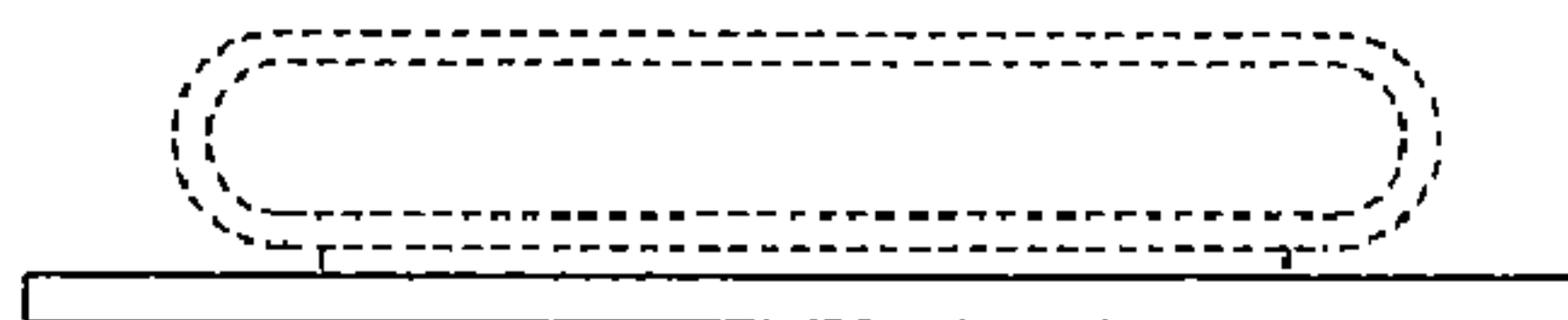
**FIG. 19**



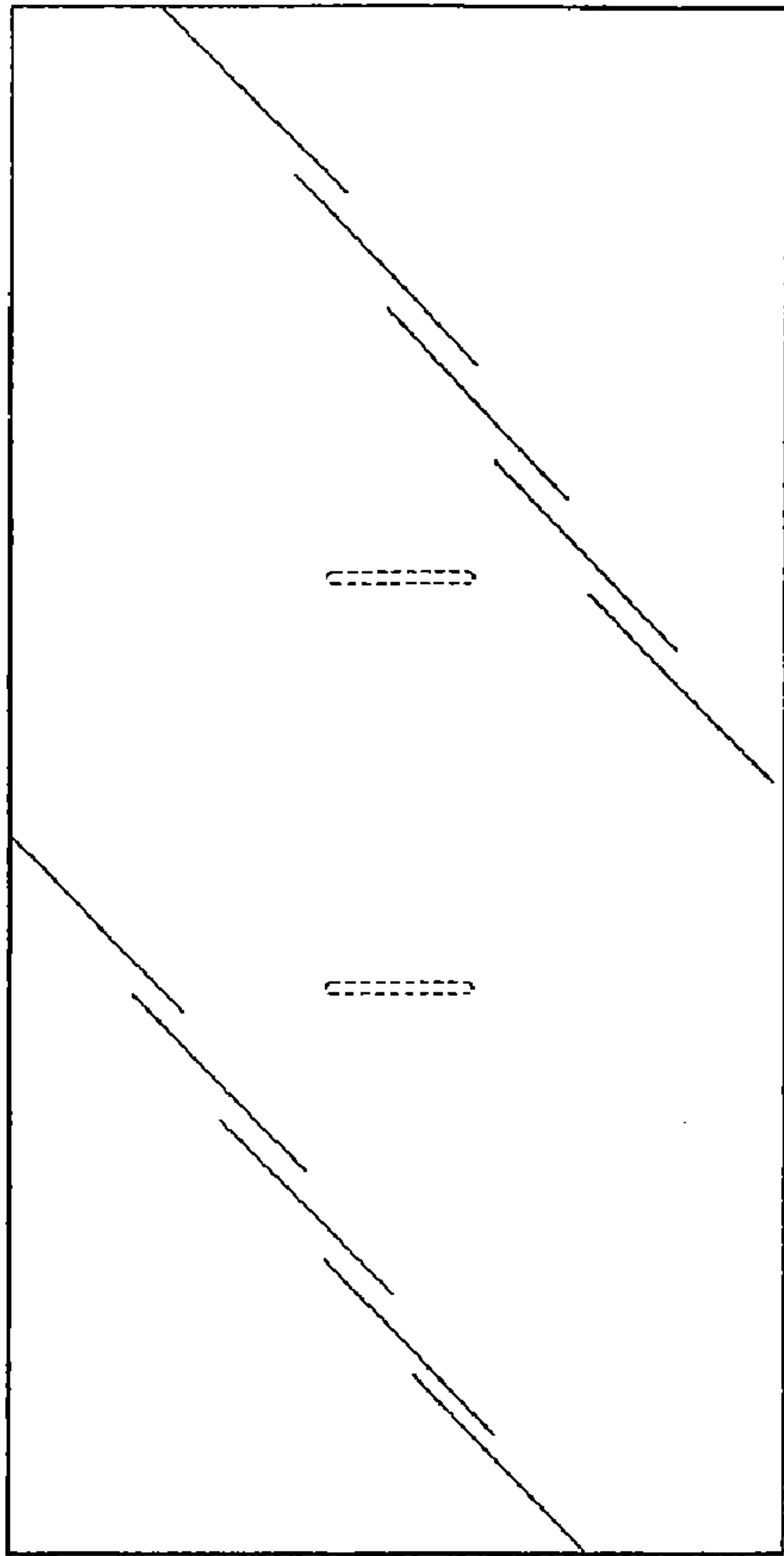
**FIG. 20**



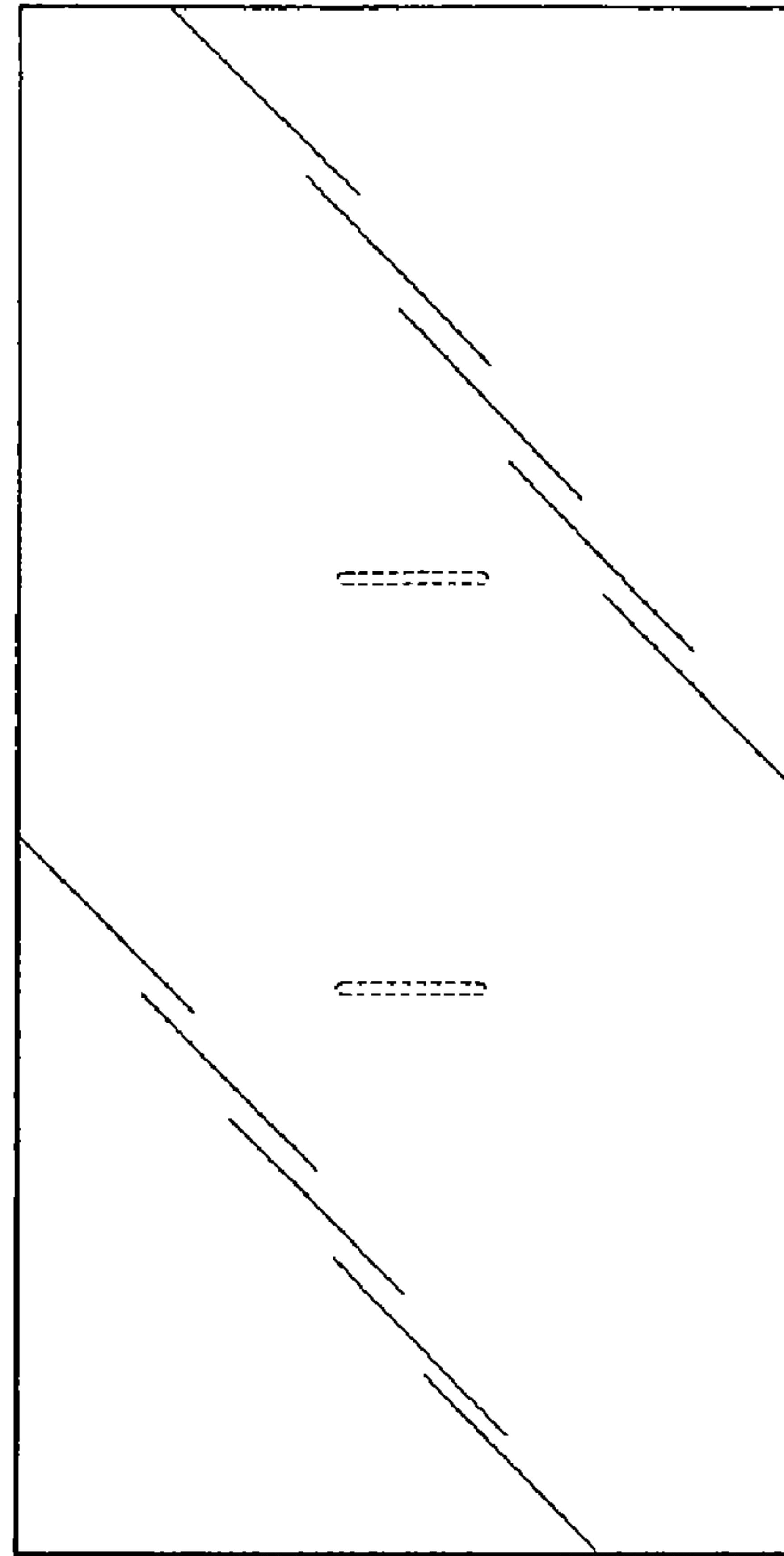
**FIG. 21**



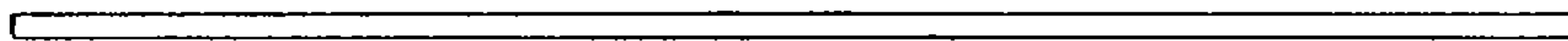
**FIG. 22**



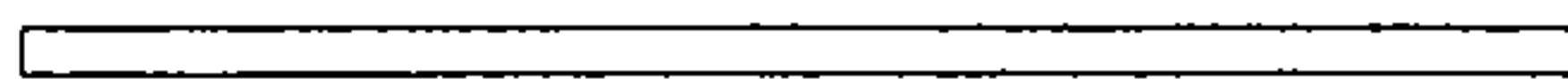
**FIG. 23**



**FIG. 24**



**FIG. 25**



**FIG. 26**