



US00D580750S

(12) **United States Design Patent**
Claassen et al.

(10) **Patent No.:** **US D580,750 S**
(45) **Date of Patent:** **** Nov. 18, 2008**

(54) **CONTAINER**

(75) Inventors: **Arnoldus Claassen**, Eindhoven (NL);
Luciene Pierin, Heilbronn (DE)

(73) Assignee: **Conopco, Inc.**, Englewood Cliffs, NJ
(US)

(**) Term: **14 Years**

(21) Appl. No.: **29/289,746**

(22) Filed: **Jul. 31, 2007**

(30) **Foreign Application Priority Data**

Feb. 2, 2007 (GB) 4001419

(51) **LOC (8) Cl.** **09-03**

(52) **U.S. Cl.** **D9/428**

(58) **Field of Classification Search** D9/414-418,
D9/420-426, 430-432, 761, 737, 757; D7/357-360,
D7/629, 602, 412, 542, 553.1-553.8, 538,
D7/543-545, 557, 564-565, 584-587, 591,
D7/615; 206/315.9, 467, 485, 521.1, 539,
206/564, 541, 546, 588, 766, 779; 220/23.8,
220/23.83, 281, 315, 324, 326, 367, 523,
220/556, 574, 675, 4.21, 4.23, 782, 835,
220/839; 229/406, 902-904, 906, 407, 110;
D6/470, 397, 441

See application file for complete search history.

(56) **References Cited**

U.S. PATENT DOCUMENTS

D44,932 S * 11/1913 Mittinger, Jr. D7/584
D48,169 S * 11/1915 Churchill D7/545
1,567,234 A * 12/1925 Brucker 249/136
D177,187 S * 3/1956 Melich et al. D7/605
D216,477 S * 1/1970 Kitcham D7/545
D235,302 S * 6/1975 Lanigan D7/584
D251,650 S * 4/1979 Heller D7/354

D325,684 S * 4/1992 Deare D7/360
D404,614 S * 1/1999 Indeku D7/588
D423,733 S * 4/2000 Choi et al. D30/129
D440,467 S * 4/2001 Kellermann D7/543
D452,417 S * 12/2001 Whitmore et al. D7/543
D467,800 S * 12/2002 Chen et al. D9/429
D475,579 S * 6/2003 Jørgensen D7/545
D483,218 S * 12/2003 Fino et al. D7/360
D483,617 S * 12/2003 Watson D7/545
D529,797 S * 10/2006 Wilcox et al. D9/428
D565,253 S * 3/2008 Modi et al. D30/129

* cited by examiner

Primary Examiner—Robert M. Spear

Assistant Examiner—Susan E Krakower

(74) *Attorney, Agent, or Firm*—Ellen Plotkin

(57) **CLAIM**

The ornamental design for a container, substantially as shown and described.

DESCRIPTION

FIG. 1 is a front perspective view, from above, front and the side of the container;

FIG. 2 is an underneath perspective view, from underneath, front and the side of the container;

FIG. 3 is the top view of the container;

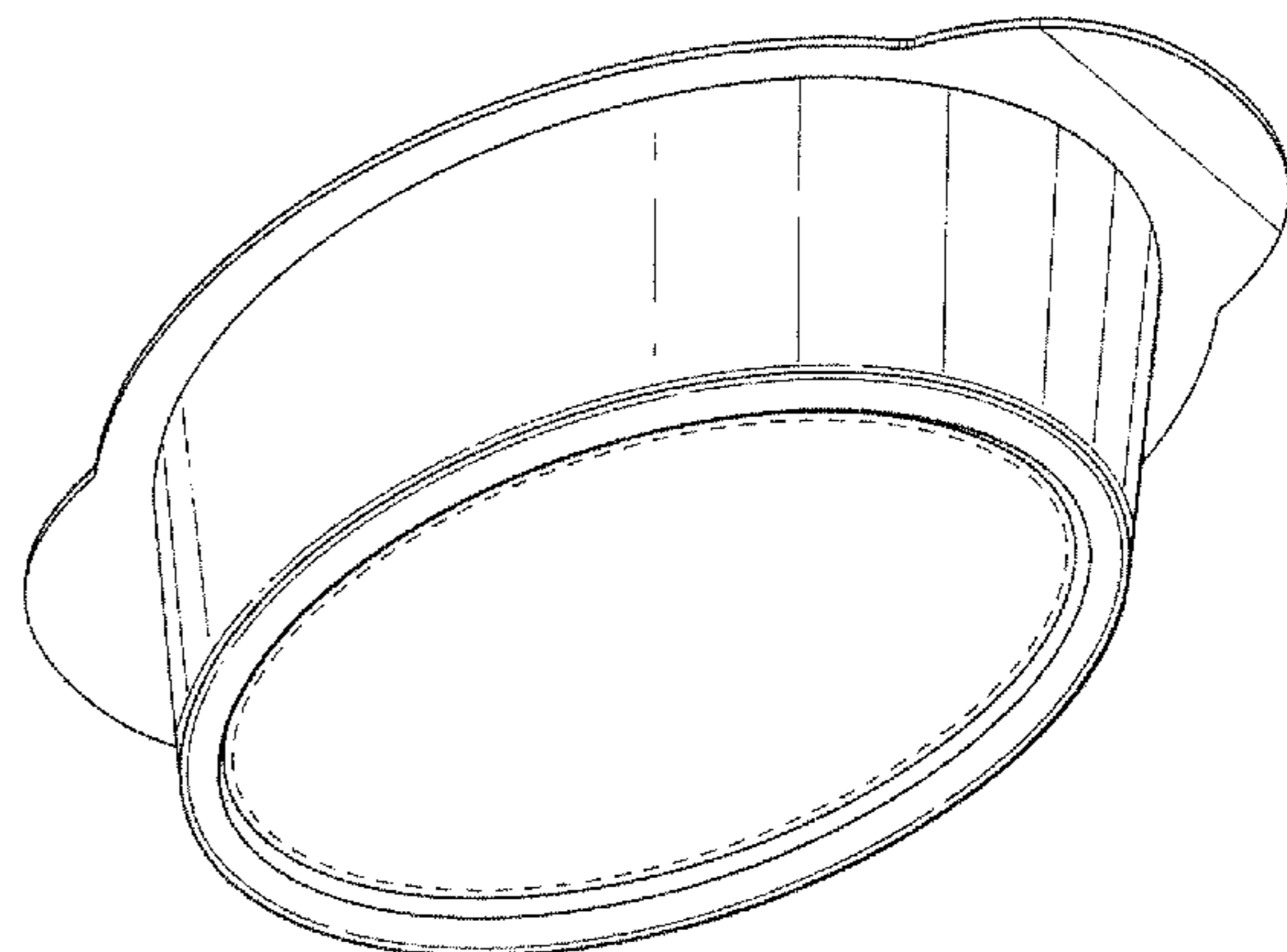
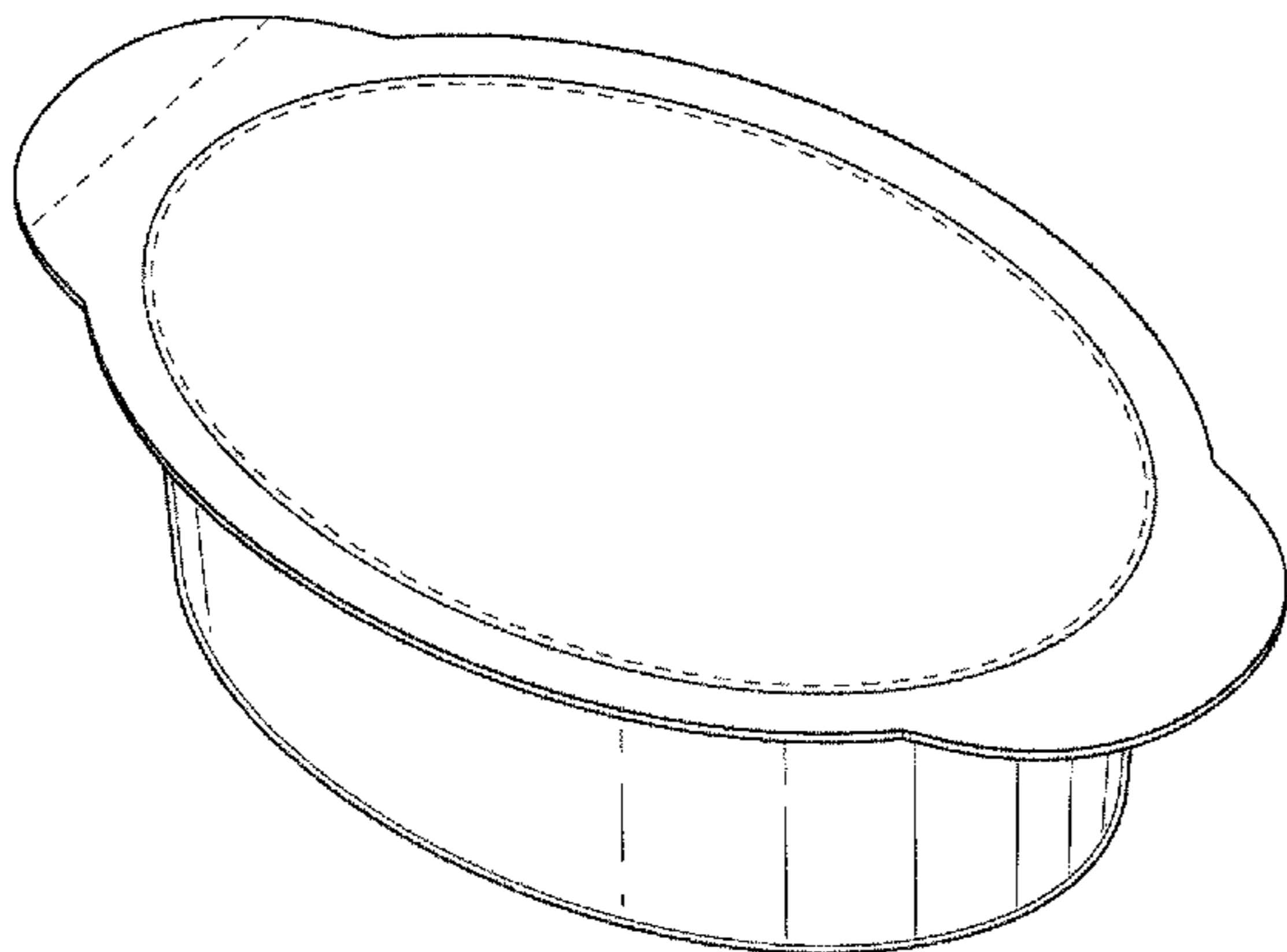
FIG. 4 is an underneath view of the container;

FIG. 5 is a front view of the container, the rear view being the same; and,

FIG. 6 is a side view of the container, the view from the other side being the same.

The oval broken lines in FIGS. 1-4 represent the boundary of the claimed design. The broken lines on the container flange in FIGS. 1 and 3 represent environmental structure. The broken lines form no part of the claimed design.

1 Claim, 2 Drawing Sheets



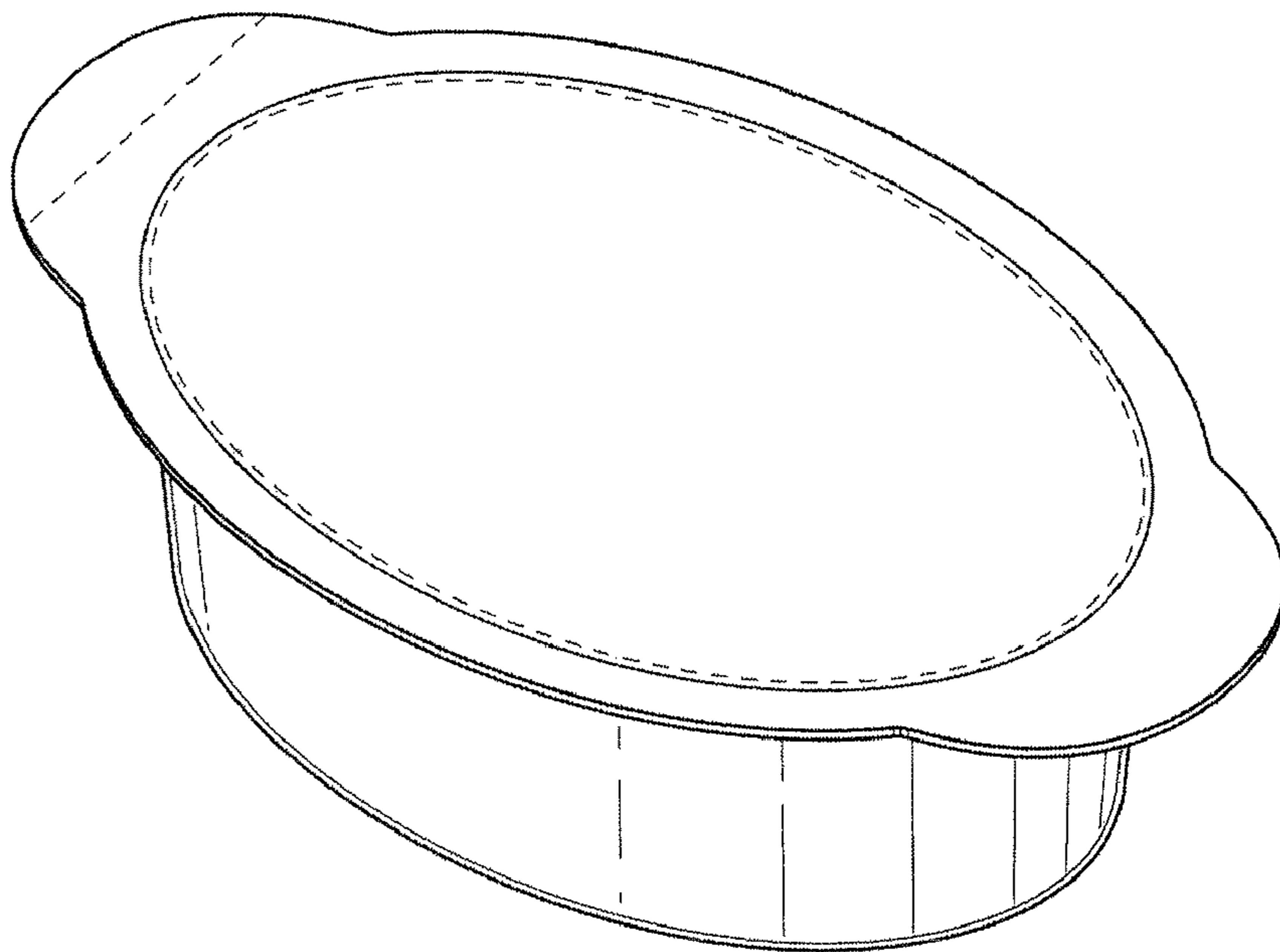


FIG. 1

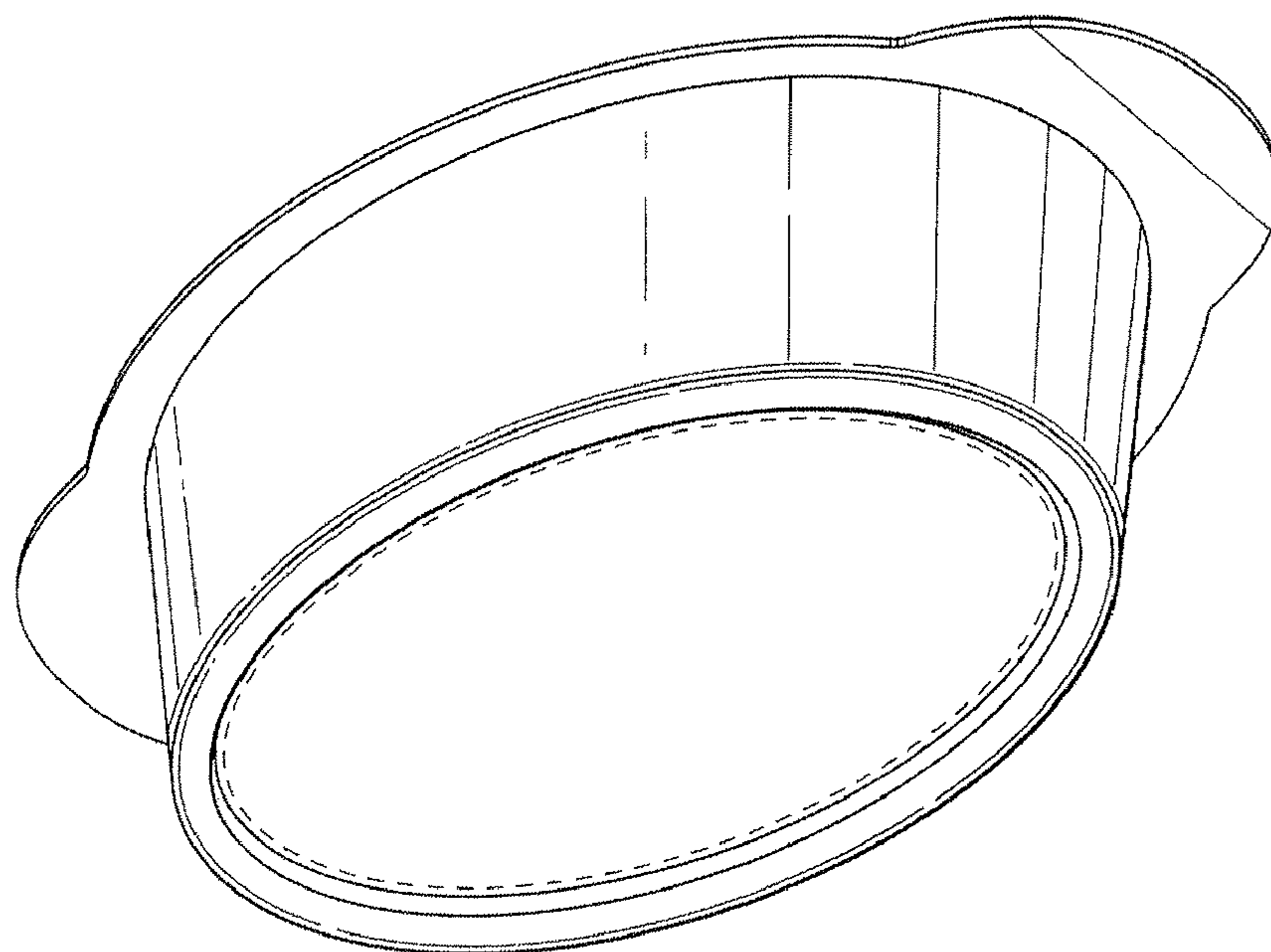


FIG. 2

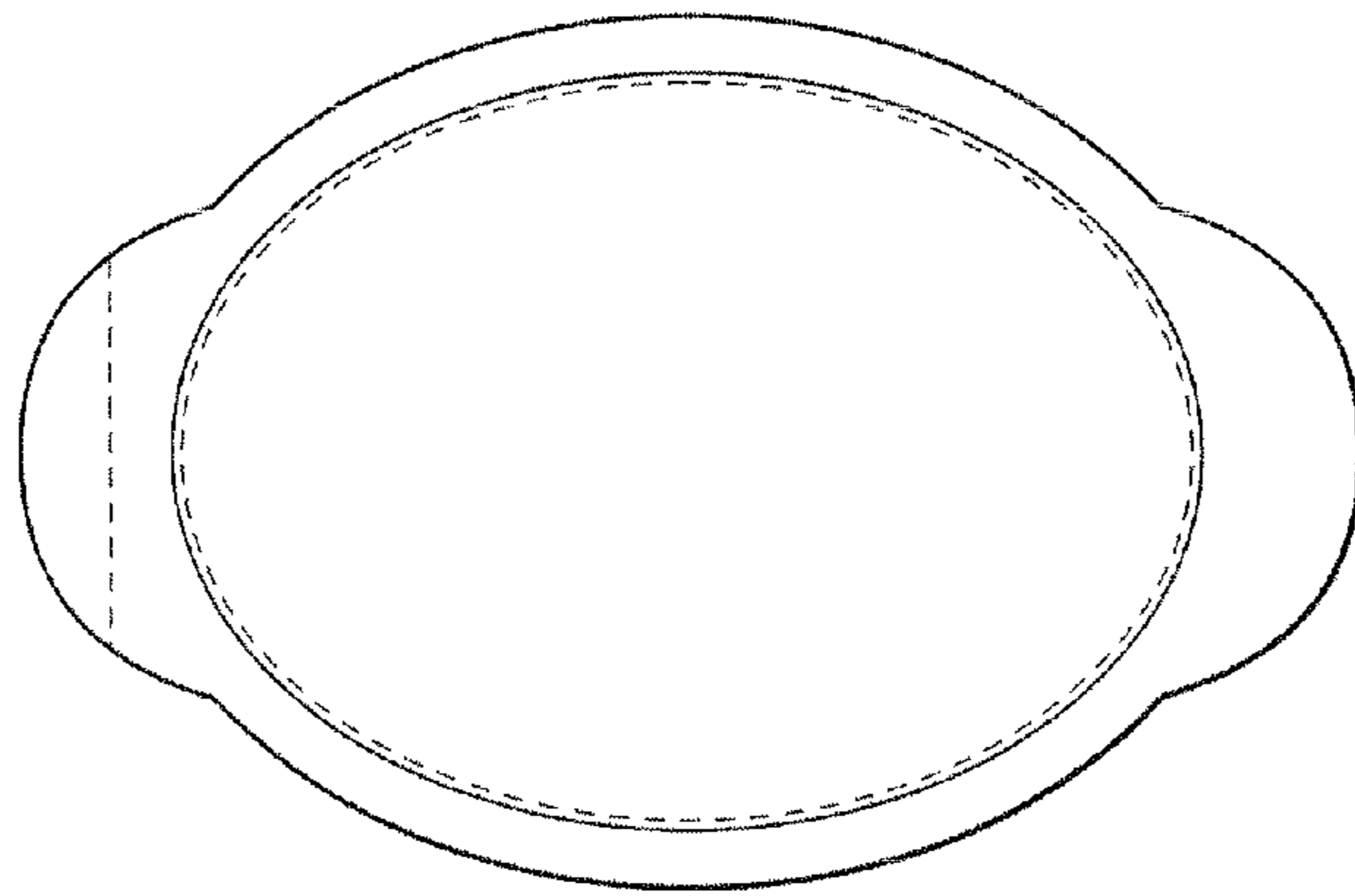


FIG. 3

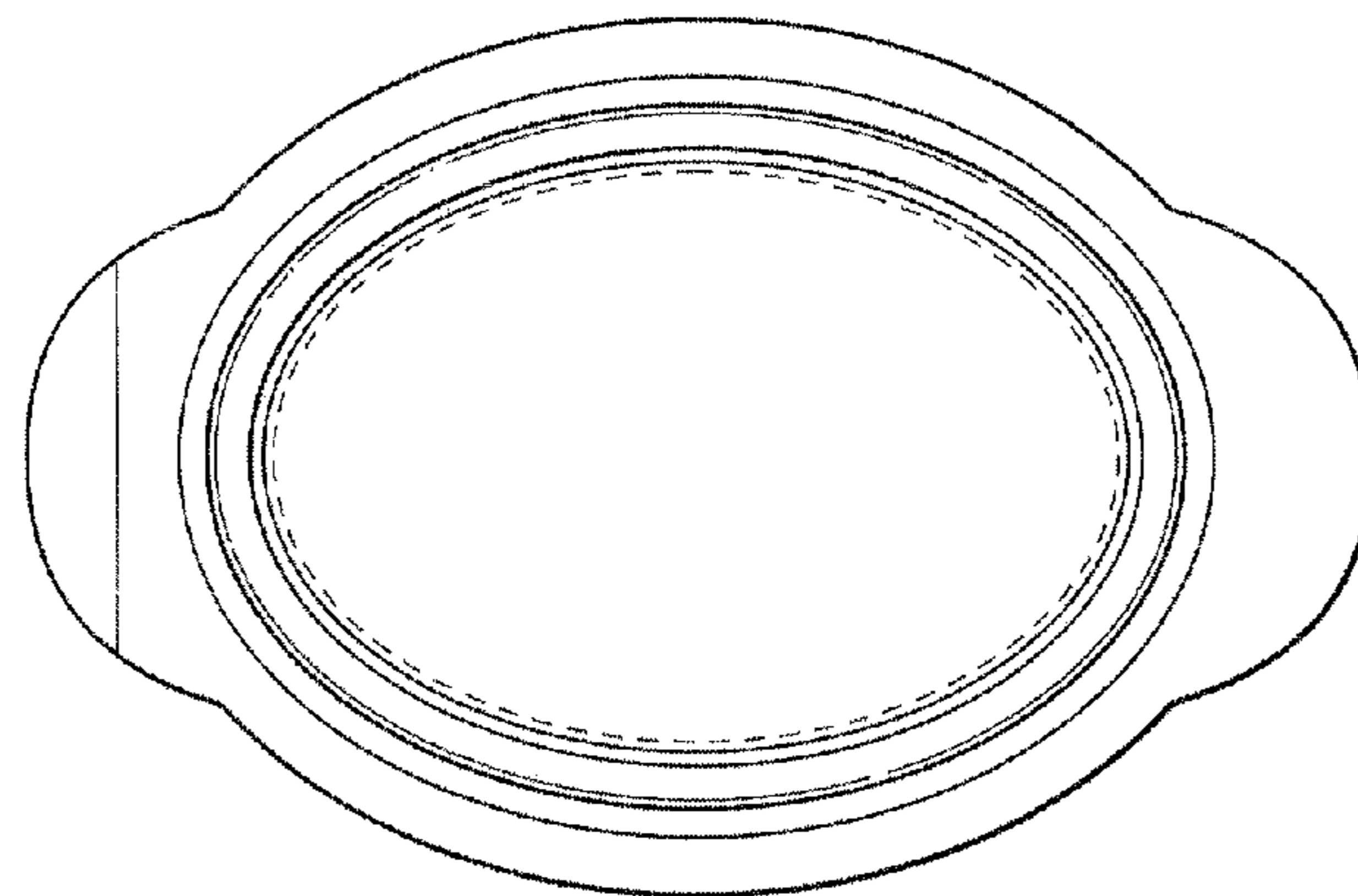


FIG. 4

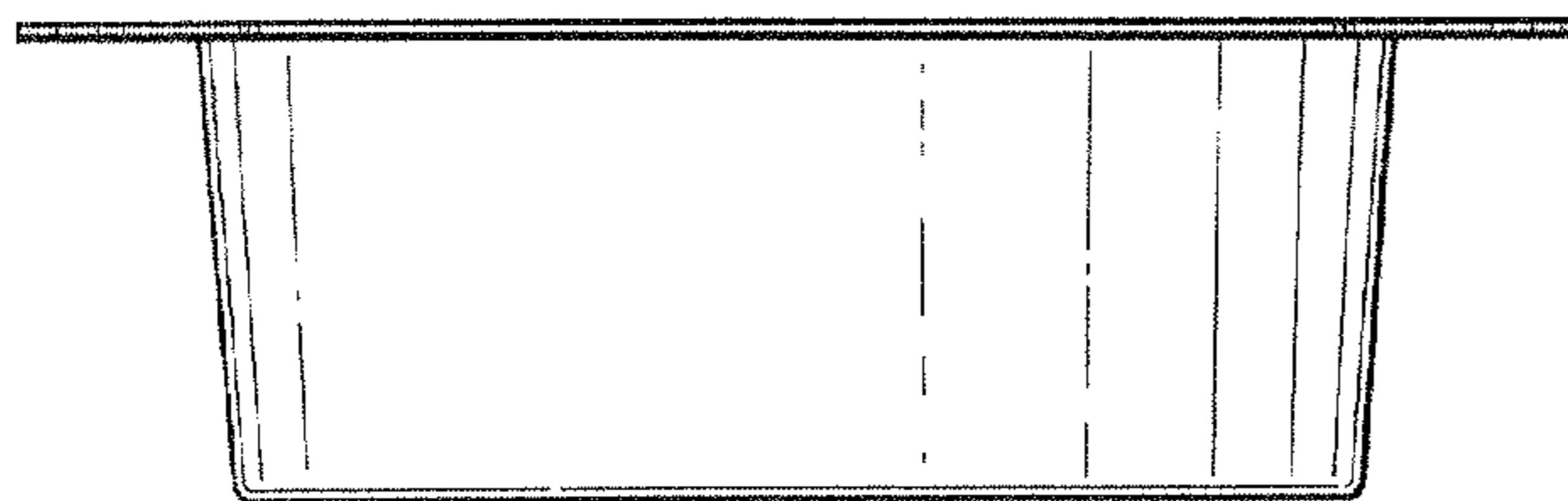


FIG. 5

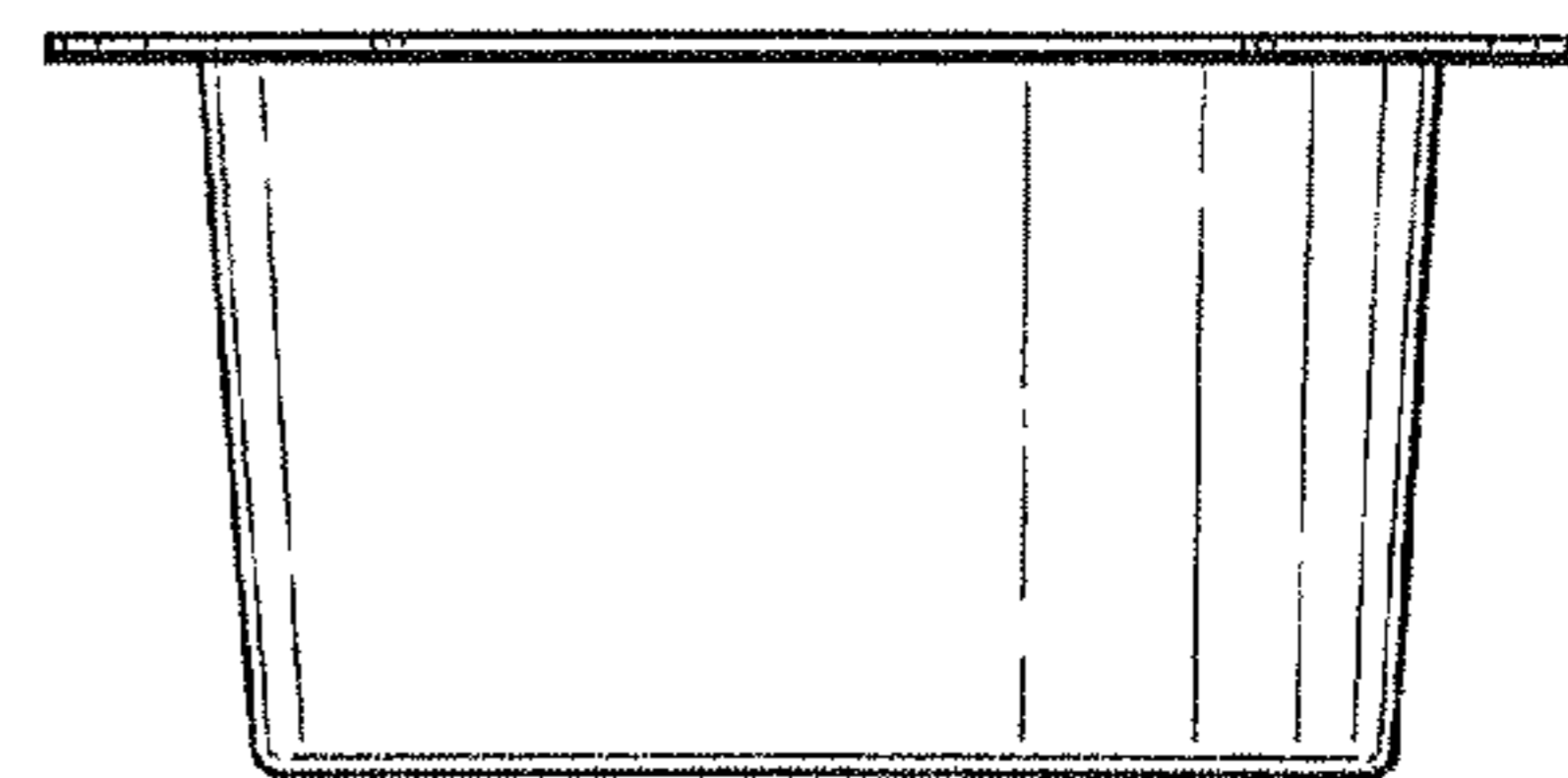


FIG. 6