



US00D580748S

(12) **United States Design Patent**
Polak et al.

(10) **Patent No.:** **US D580,748 S**
(45) **Date of Patent:** **** Nov. 18, 2008**

(54) **MOLDED CLAMP**

(75) Inventors: **Donald J. Polak**, Nashville, TN (US);
Thomas J. Bush, Canton Center, CT (US)

(73) Assignee: **End of the Road, Inc.**, Nashville, TN (US)

(**) Term: **14 Years**

(21) Appl. No.: **29/256,261**

(22) Filed: **Mar. 17, 2006**

Related U.S. Application Data

(63) Continuation-in-part of application No. 29/186,287, filed on Jul. 14, 2003, now Pat. No. Des. 521,366.

(51) **LOC (8) Cl.** **08-08**

(52) **U.S. Cl.** **D8/394; D8/396**

(58) **Field of Classification Search** D8/356,
D8/383, 394-396; 24/16 PB, 17 AP, 30.5 P,
24/30.5 S, 300-302, 339, DIG. 16; 248/58,
248/60, 74.3

See application file for complete search history.

(56) **References Cited**

U.S. PATENT DOCUMENTS

3,827,093 A	8/1974	Davis	
D234,204 S	1/1975	Miller et al.	
3,950,823 A *	4/1976	Schreter	24/66.13
3,954,238 A	5/1976	Nivet	
4,390,019 A *	6/1983	LeVeen et al.	606/158
4,483,556 A	11/1984	LiVolsi	
4,502,186 A	3/1985	Clarke et al.	
4,557,024 A	12/1985	Roberts et al.	
4,564,163 A	1/1986	Barnett	
4,669,688 A	6/1987	Itoh et al.	
4,766,651 A	8/1988	Kobayashi et al.	
D307,541 S	5/1990	Tres	
4,935,992 A	6/1990	Due	
5,305,978 A	4/1994	Current	
5,367,750 A	11/1994	Ward	

D389,052 S	1/1998	Yamamoto	
5,713,912 A	2/1998	Porter	
5,725,185 A	3/1998	Auclair	
5,782,090 A	7/1998	Locke	
5,930,872 A	8/1999	McBride et al.	
6,021,982 A *	2/2000	Mangone, Jr.	248/74.5
6,101,684 A *	8/2000	Ginocchio	24/16 R

(Continued)

FOREIGN PATENT DOCUMENTS

DE	4200771	7/1993
JP	1116668	6/1999

OTHER PUBLICATIONS

IBM Technical Disclosure Bulletin, "Cable Harness Clamp", Jun. 1, 1959.

Primary Examiner—Robert M Spear

Assistant Examiner—John Windmuller

(74) *Attorney, Agent, or Firm*—Alicia M. Passerin, Esq.;
Cohen & Grigsby, P.C.

(57) **CLAIM**

The ornamental design for a molded clamp, as shown and described.

DESCRIPTION

FIG. 1 is a perspective view of a molded clamp showing our new design;

FIG. 2 is a perspective view thereof in a latched position;

FIG. 3 is a front elevation view thereof;

FIG. 4 is a rear elevation view thereof;

FIG. 5 is a left side elevation view thereof;

FIG. 6 is a right side elevation view thereof;

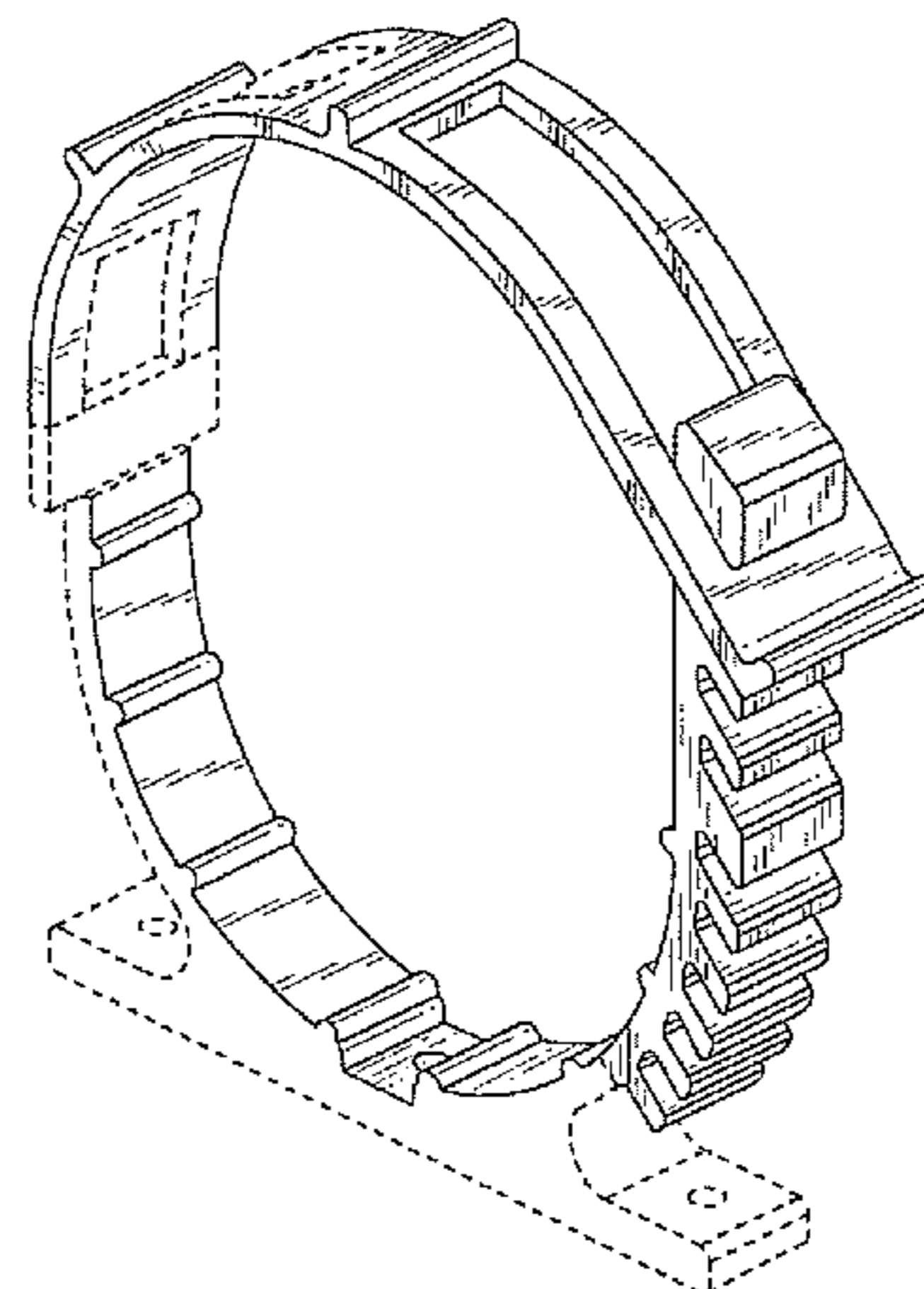
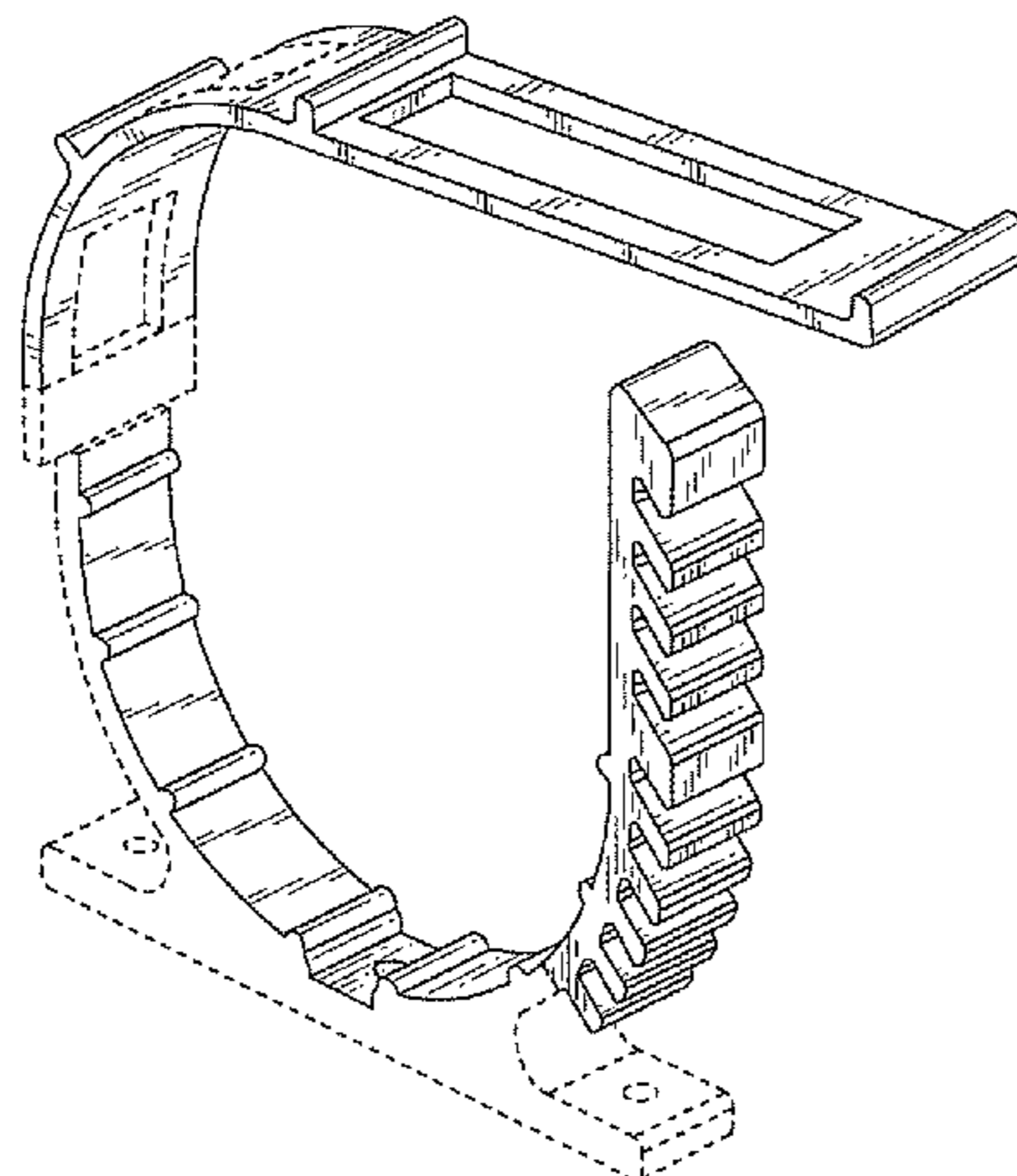
FIG. 7 is a top plan view thereof; and,

FIG. 8 is a bottom plan view thereof.

The broken lines in the figures illustrates environment only and forms no part of the claimed design.

Surfaces that are bounded on at least one side by broken lines and are not shaded are not part of the claimed design.

1 Claim, 4 Drawing Sheets



US D580,748 S

Page 2

U.S. PATENT DOCUMENTS

6,164,604	A	12/2000	Cirino et al.	D484,400	S	*	12/2003	Blake et al.	D8/394
6,206,331	B1	3/2001	Keith et al.	D521,366	S	*	5/2006	Polak et al.	D8/383
6,335,887	B1	1/2002	Aoki et al.	D534,939	S	*	1/2007	Sheehan et al.	D16/208
6,355,887	B1 *	3/2002	Gretz 174/72 A	D563,217	S	*	3/2008	Kushner	D8/395
6,443,403	B1 *	9/2002	Page et al. 248/71	D563,452	S	*	3/2008	Tan et al.	D16/237
6,496,094	B2	12/2002	May, III						

* cited by examiner

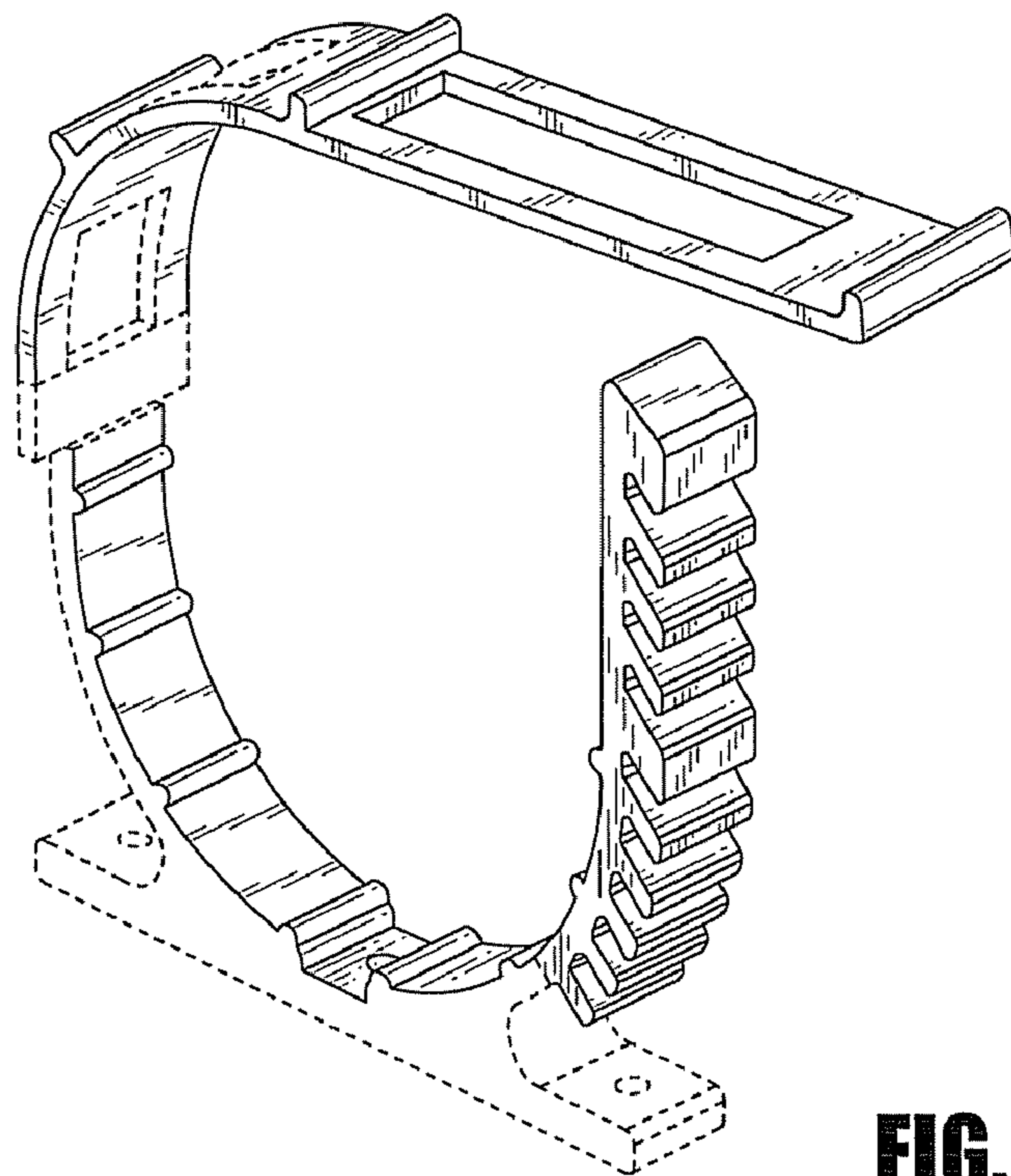


FIG. 1

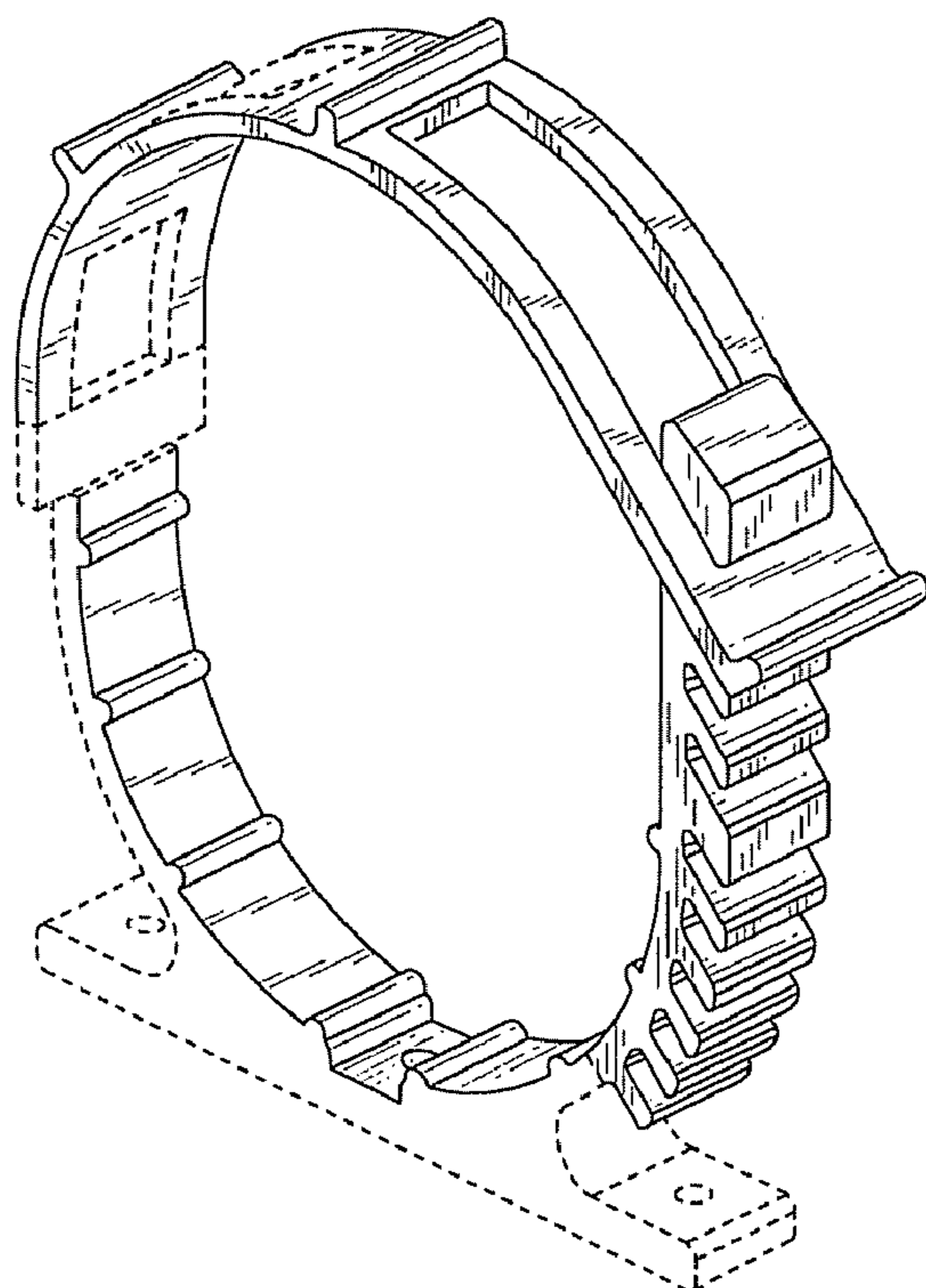


FIG. 2

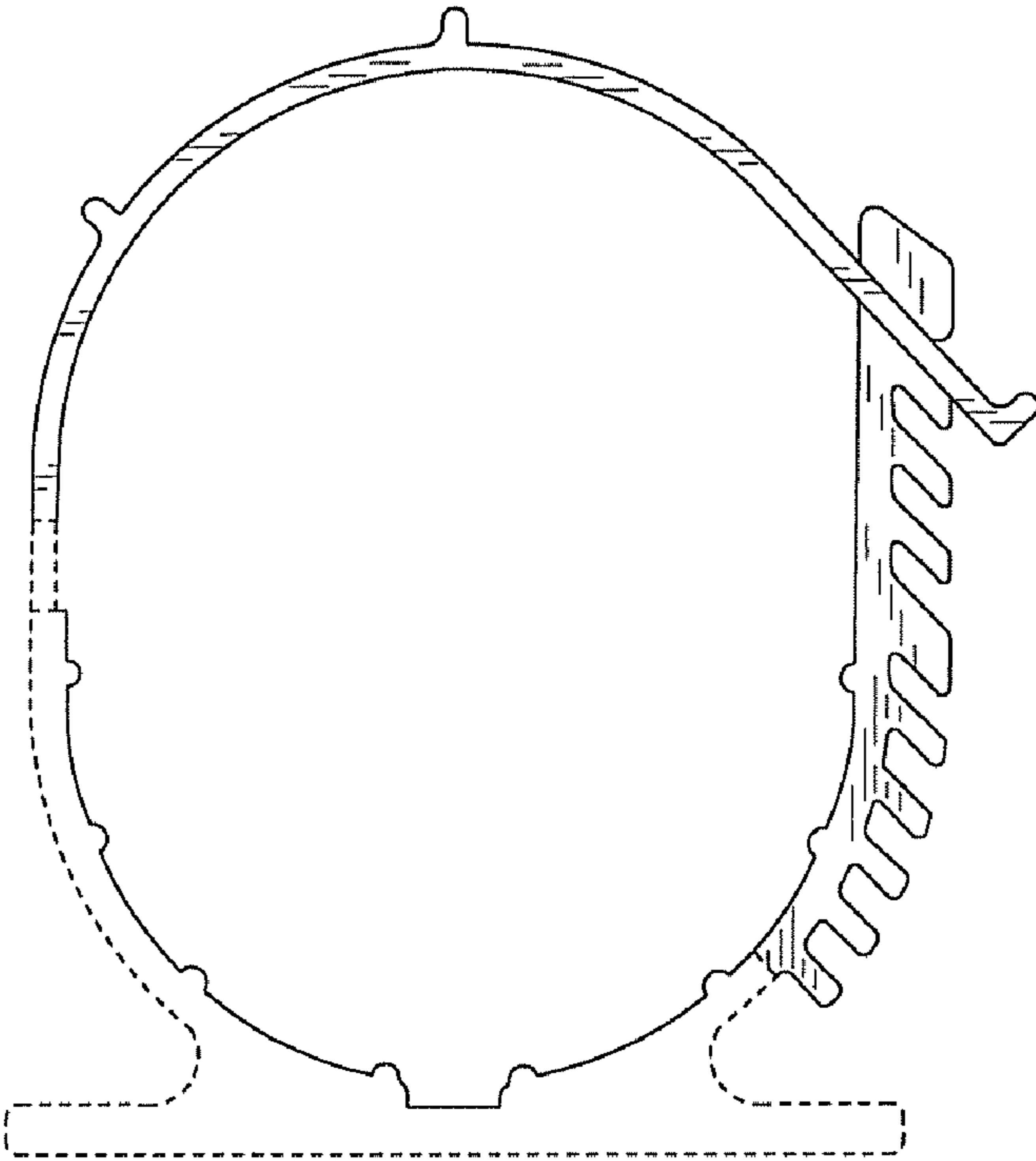


FIG. 3

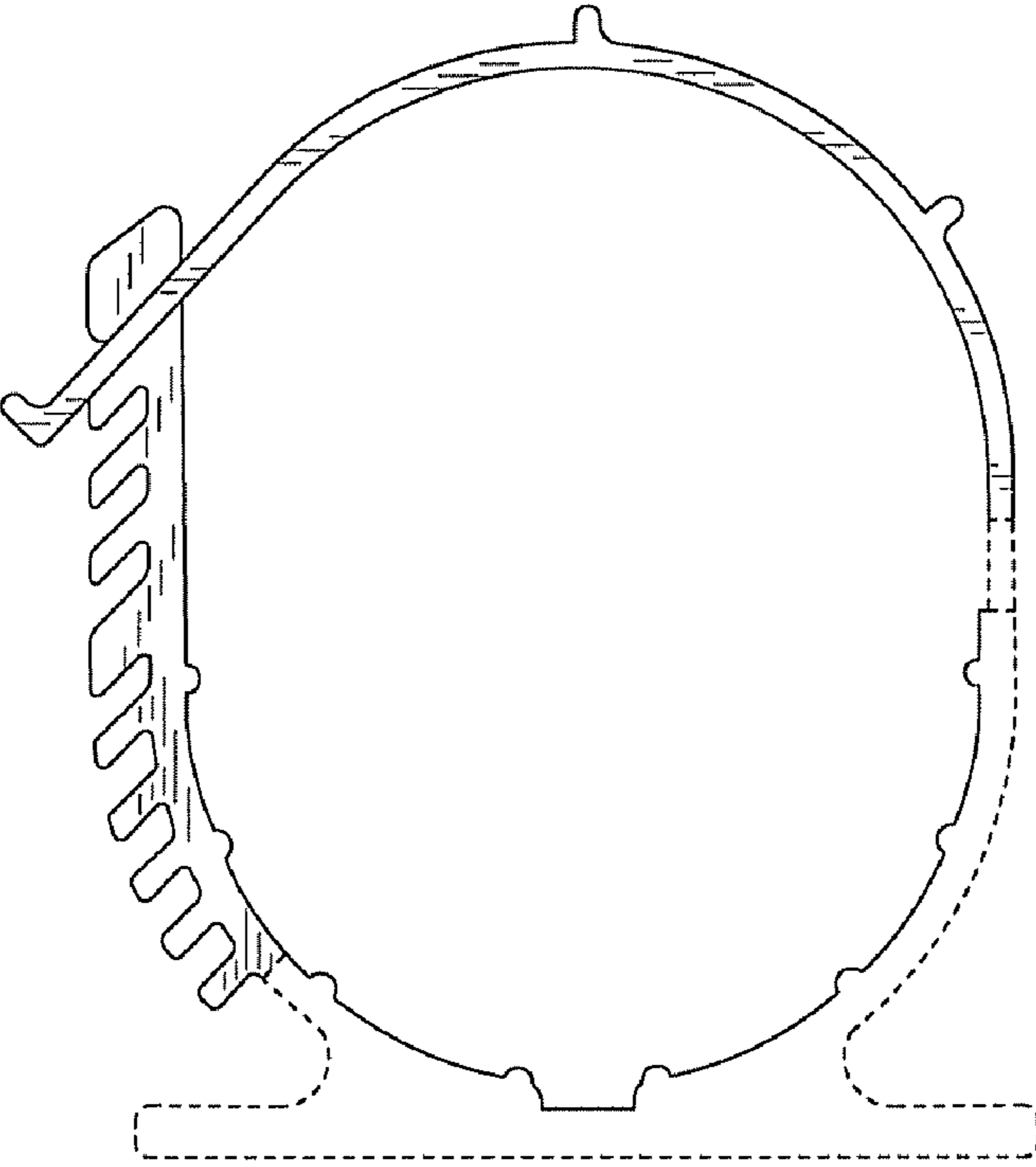


FIG. 4

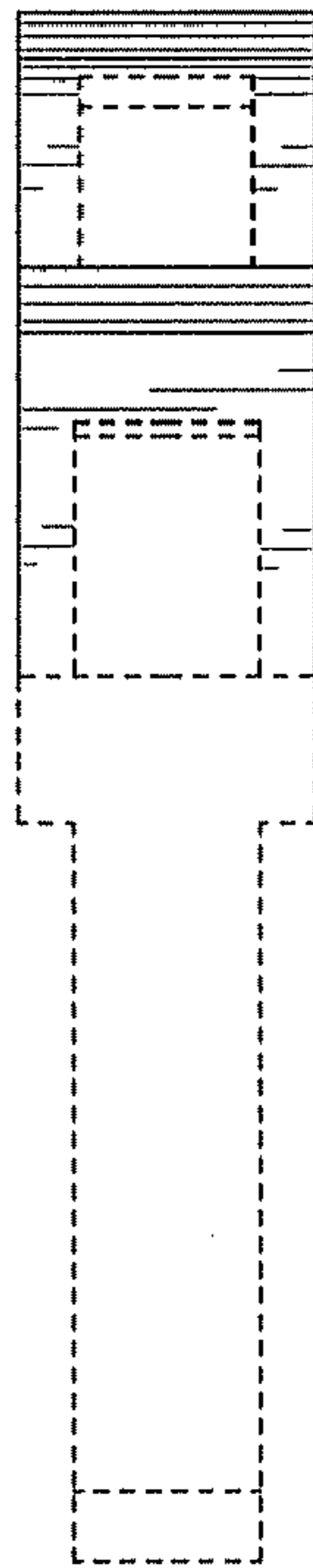


FIG. 5

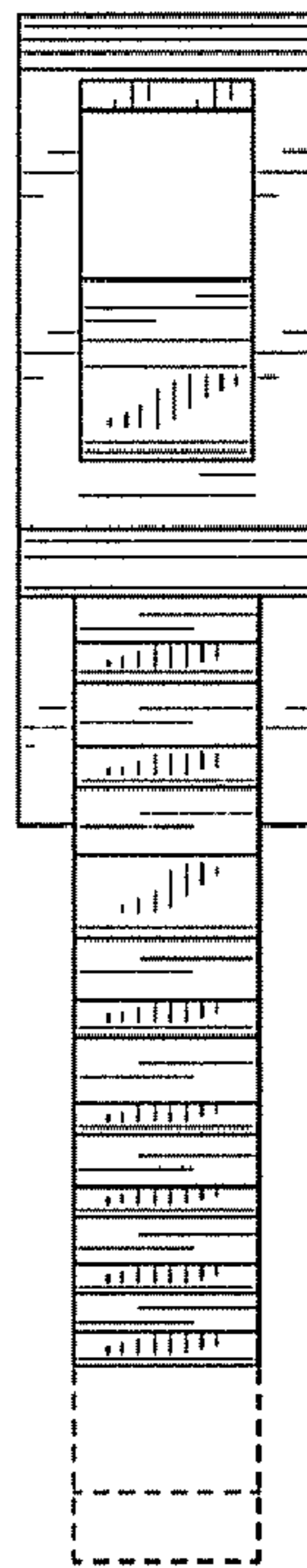


FIG. 6

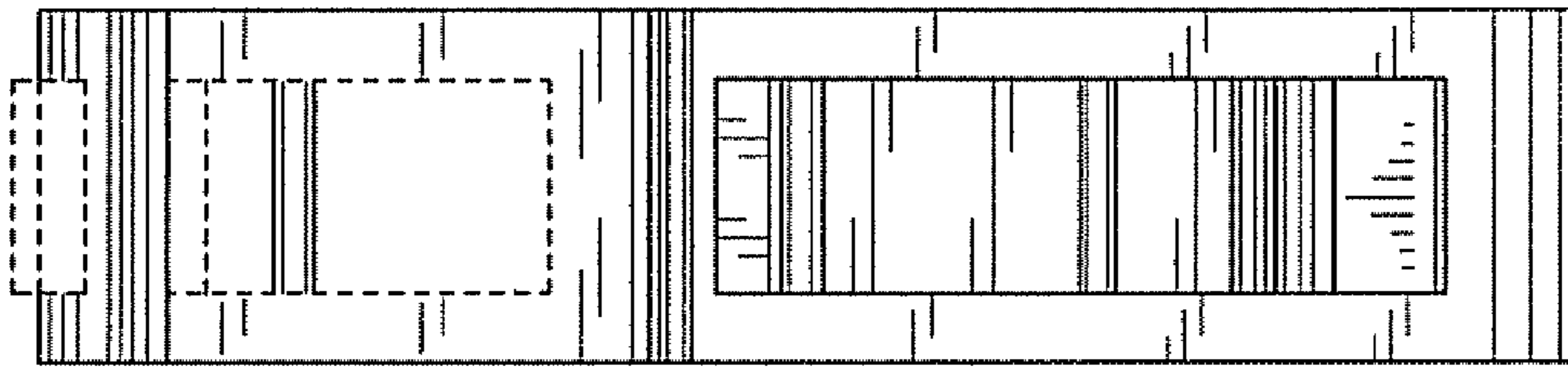


FIG. 7

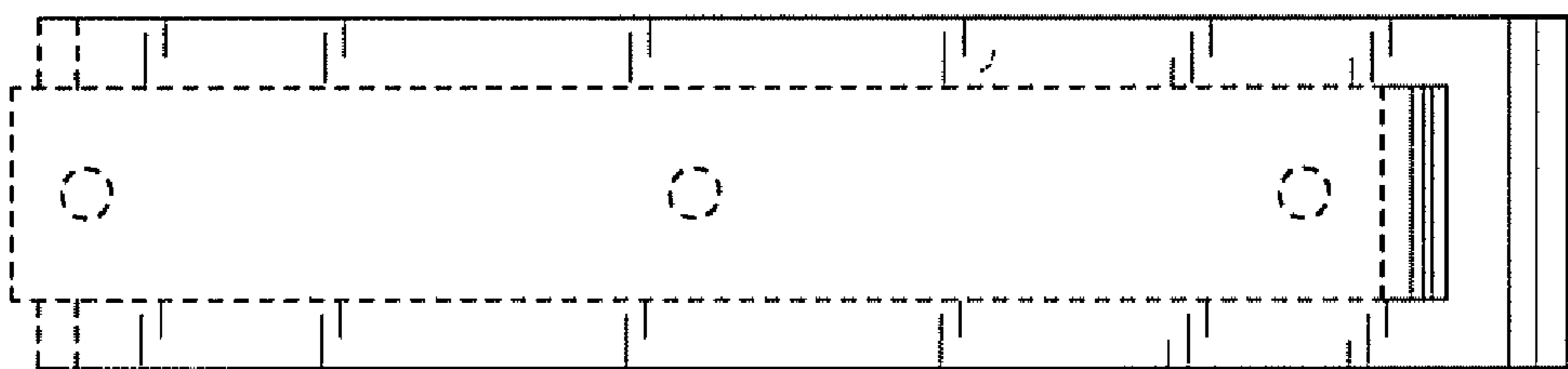


FIG. 8