



US00D580744S

(12) **United States Design Patent**
Shaha et al.

(10) **Patent No.:** **US D580,744 S**
(45) **Date of Patent:** **** Nov. 18, 2008**

(54) **HOOK**

(75) Inventors: **Kevin Bruce Shaha**, Dover, ID (US);
Robert W. Sheldon, Winnetka, IL (US);
Gregory J. Foster, Chicago, IL (US);
Ronald M. Llanes, Lisle, IL (US)

(73) Assignee: **Illinois Tool Works Inc.**, Glenview, IL (US)

(**) Term: **14 Years**

(21) Appl. No.: **29/305,213**

(22) Filed: **Mar. 14, 2008**

(51) **LOC (8) Cl.** **08-05**

(52) **U.S. Cl.** **D8/367; D8/370; D8/373**

(58) **Field of Classification Search** D8/354,
D8/363, 367, 370, 372, 373; D7/372; D6/323,
D6/552; 248/214, 215, 301, 302, 303, 304,
248/340; 224/268

See application file for complete search history.

(56) **References Cited**

U.S. PATENT DOCUMENTS

D27,018 S * 5/1897 Loughridge D8/354

Primary Examiner—Robert M Spear

Assistant Examiner—Barbara B Lohr

(74) *Attorney, Agent, or Firm*—Mark W. Croll; Christopher P. Rauch; Beem Patent Law Firm

(57) **CLAIM**

The ornamental design for a hook, as shown and described.

DESCRIPTION

FIG. 1 is a front view of a first embodiment of a hook and a second embodiment of a hook showing our new design, in the environment of a wall mountable rail system.

FIG. 2 is a side view of the first embodiment of the hook of FIG. 1, in the environment of the wall mountable rail system, the other side being a mirror image thereof.

FIG. 3 is a side view of the second embodiment of the hook of FIG. 1, in the environment of the wall mountable rail system, the other side being a mirror image thereof.

FIG. 4 is a front view of the first embodiment of the hook of FIG. 1.

FIG. 5 is a rear view of the first embodiment of the hook of FIG. 4.

FIG. 6 is a side view of the first embodiment of the hook of FIG. 4, the other side being a mirror image thereof.

FIG. 7 is a top view of the first embodiment of the hook of FIG. 4.

FIG. 8 is a bottom view of the first embodiment of the hook of FIG. 4.

FIG. 9 is a front view of the second embodiment of the hook of FIG. 1.

FIG. 10 is a rear view of the second embodiment of the hook of FIG. 9.

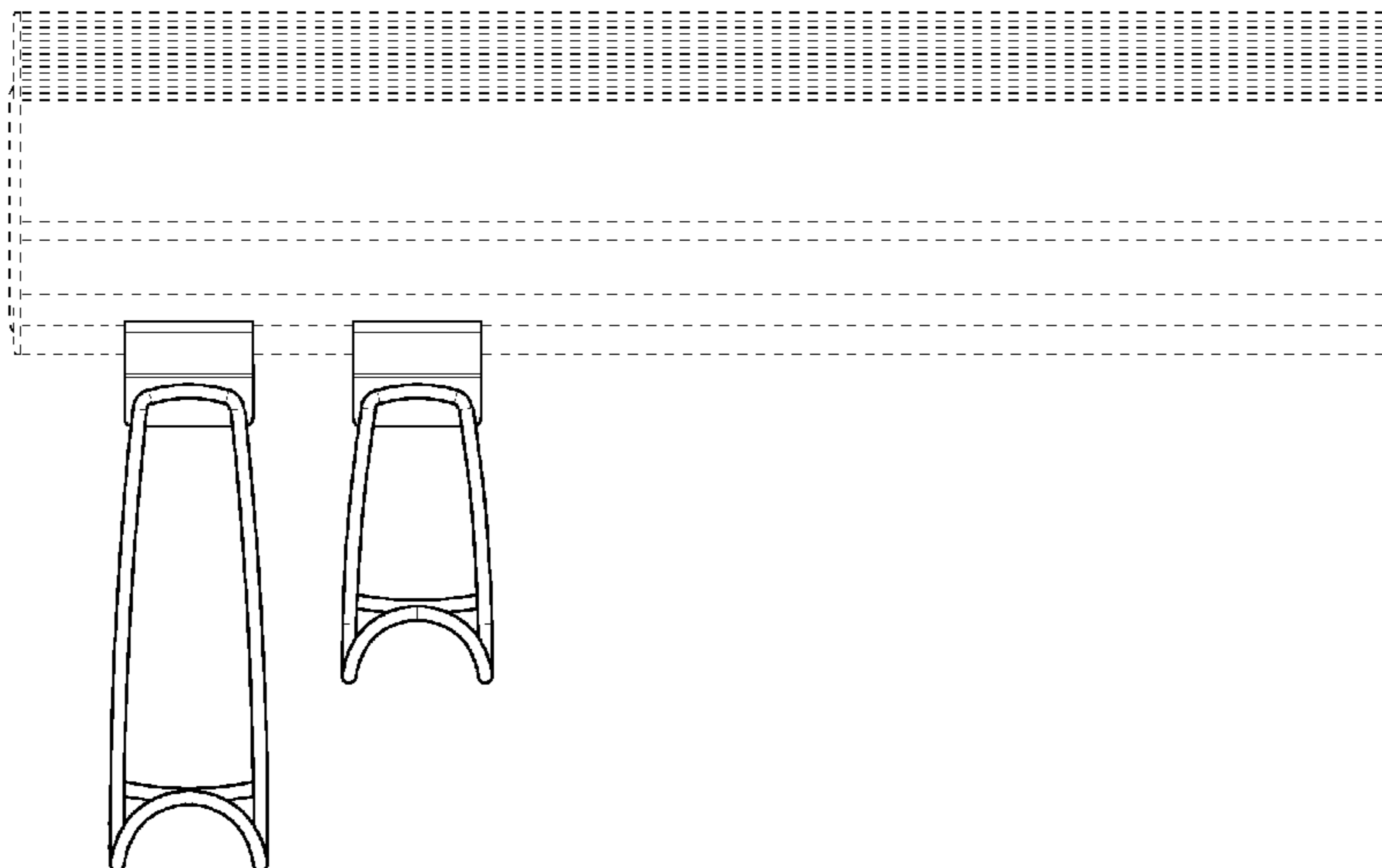
FIG. 11 is a side view of the second embodiment of the hook of FIG. 9, the other side being a mirror image thereof.

FIG. 12 is a top view of the second embodiment of the hook of FIG. 9; and,

FIG. 13 is a bottom view of the second embodiment of the hook of FIG. 9.

The broken lines in the drawings represent unclaimed environmental subject matter.

1 Claim, 3 Drawing Sheets



US D580,744 S

Page 2

U.S. PATENT DOCUMENTS

1,902,241	A *	3/1933	Jones	248/340	6,299,001	B1	10/2001	Frolov et al.	
4,693,381	A	9/1987	Lodge			6,499,608	B1	12/2002	Sterling et al.	
D300,804	S *	4/1989	Myers	D8/373	6,698,603	B2	3/2004	Lawson et al.	
4,869,378	A	9/1989	Miller			D497,794	S *	11/2004	Anderson et al. D8/367
D312,385	S *	11/1990	Hamann	D8/367	D516,413	S *	3/2006	Anderson et al. D8/373
5,048,698	A	9/1991	Konrad			7,014,052	B2	3/2006	Detorre et al.	
5,337,987	A	8/1994	Sawatsky			7,137,515	B1	11/2006	Lawson et al.	
5,379,976	A	1/1995	DeGirolamo			7,147,115	B2	12/2006	Perkins et al.	
5,429,252	A	7/1995	Liu			D542,126	S *	5/2007	Ernst et al. D8/373
D396,371	S *	7/1998	Oliver	D6/552	7,228,977	B2	6/2007	Perkins et al.	
5,775,521	A	7/1998	Tisbo			D550,545	S *	9/2007	Ernst et al. D8/373
5,960,967	A	10/1999	Neil			D558,029	S *	12/2007	Ernst et al. D8/367
6,050,426	A	4/2000	Leurdijk			2004/0178240	A1 *	9/2004	Bauer 224/268
6,119,878	A	9/2000	Zen			2005/0236544	A1	10/2005	Mancino et al.	
6,152,312	A	11/2000	Nava et al.			2005/0247633	A1	11/2005	Brooks	
6,196,509	B1 *	3/2001	Clemens	248/302	2006/0180561	A1	8/2006	Wisnoski et al.	

* cited by examiner

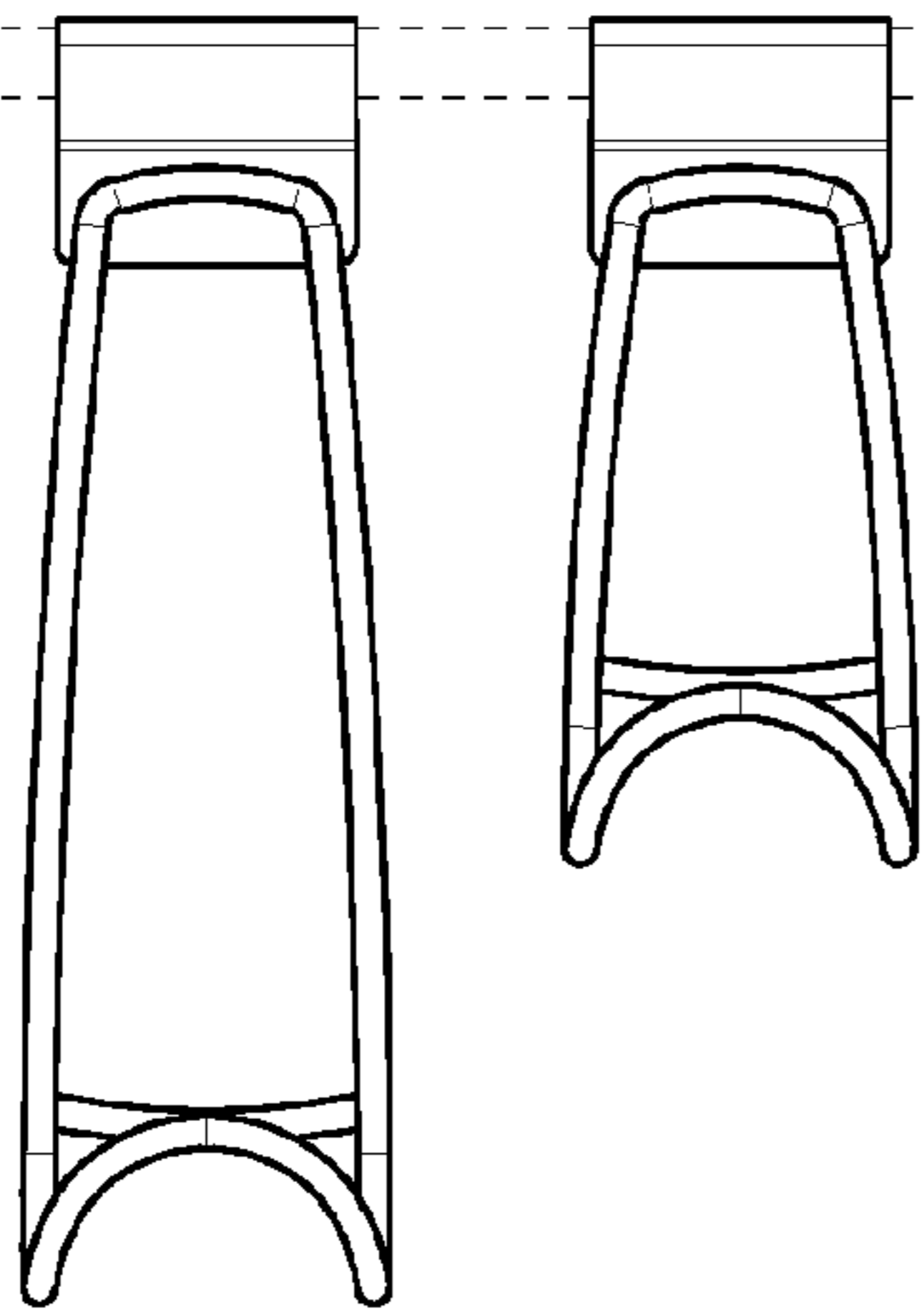
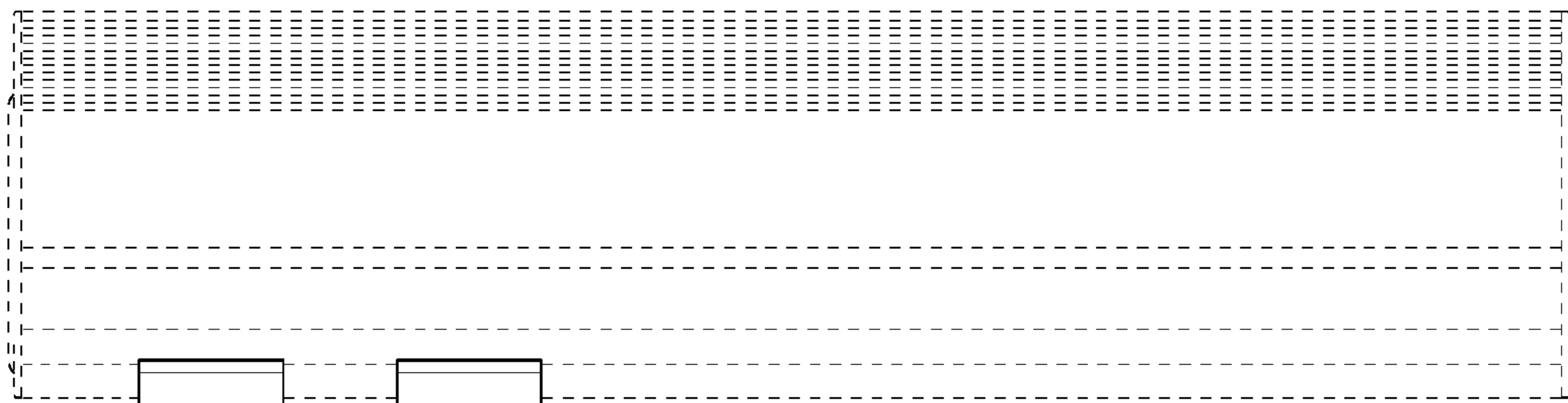


Fig.1

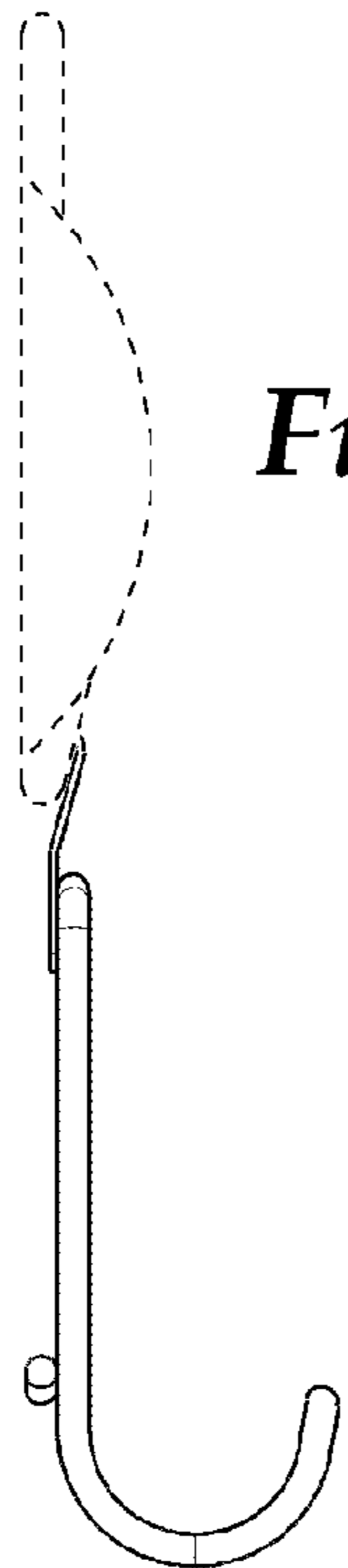


Fig.3

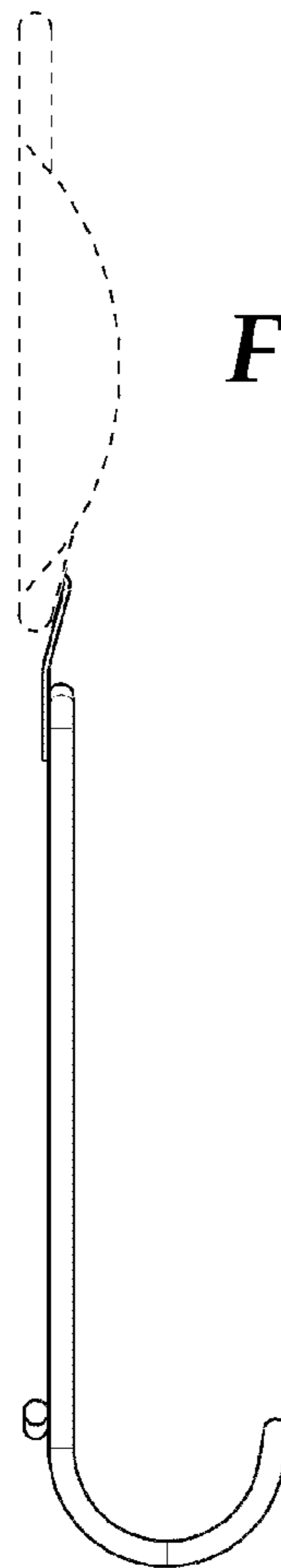


Fig.2

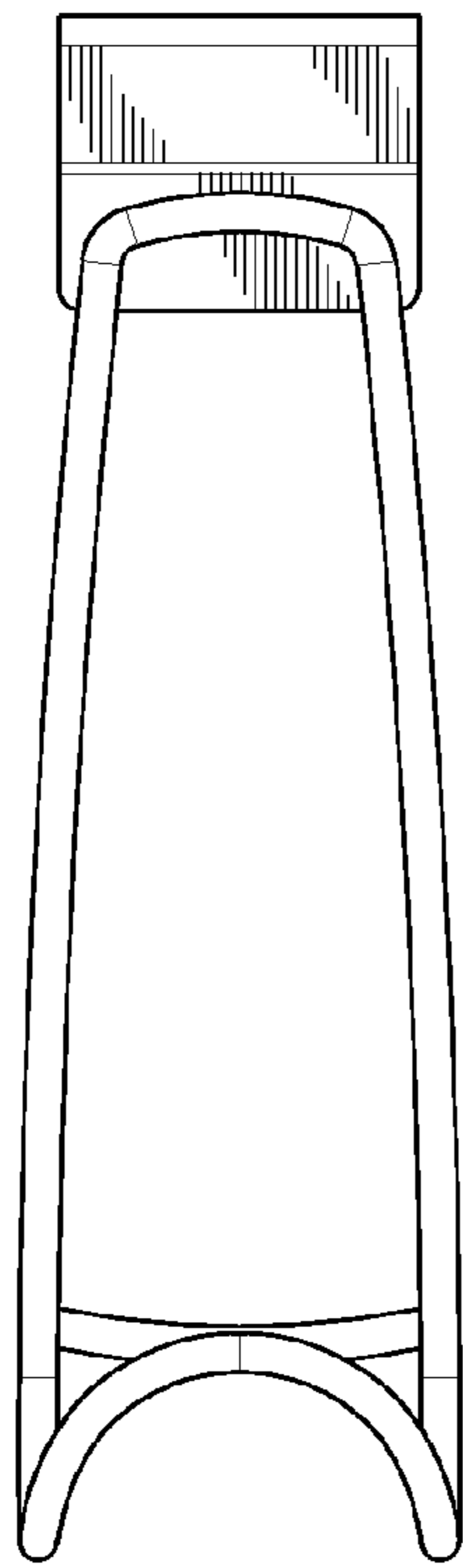


Fig.4

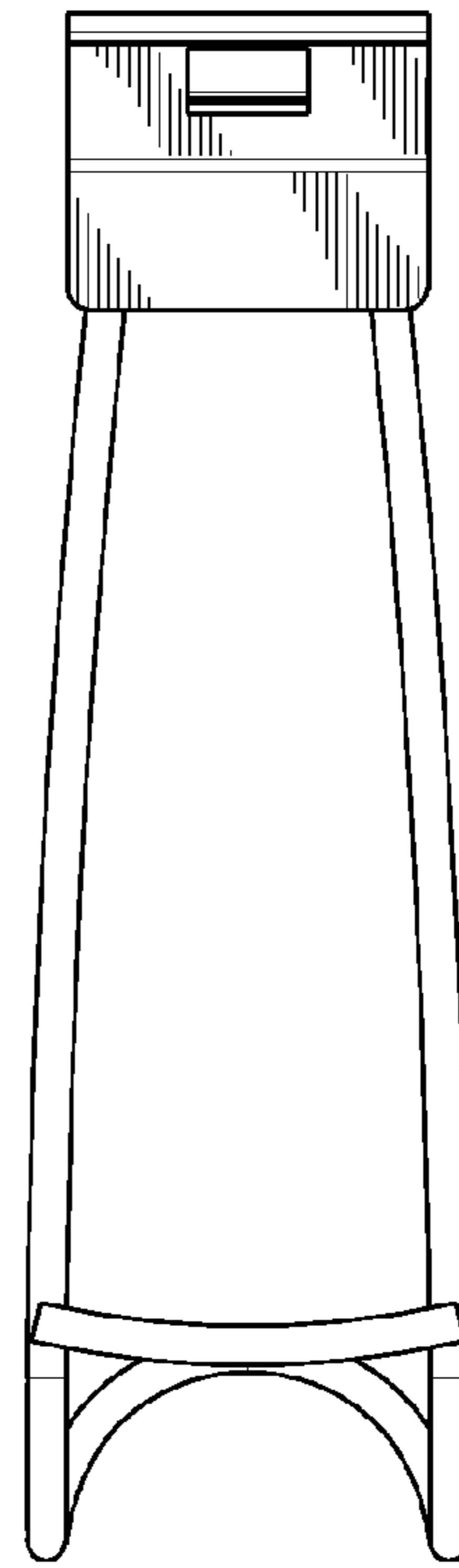


Fig.5

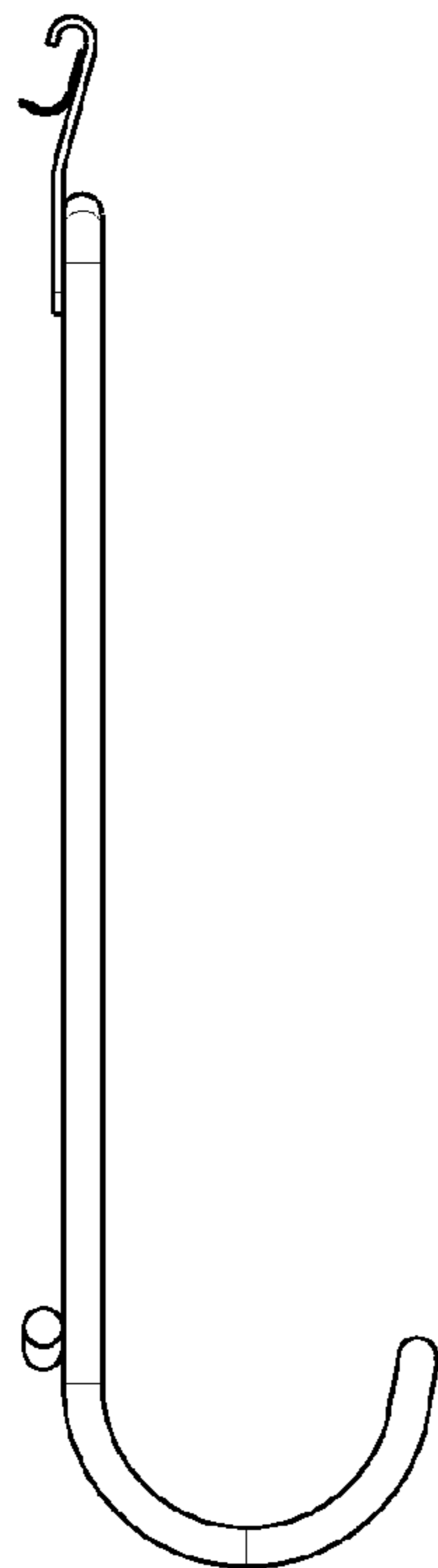


Fig.6

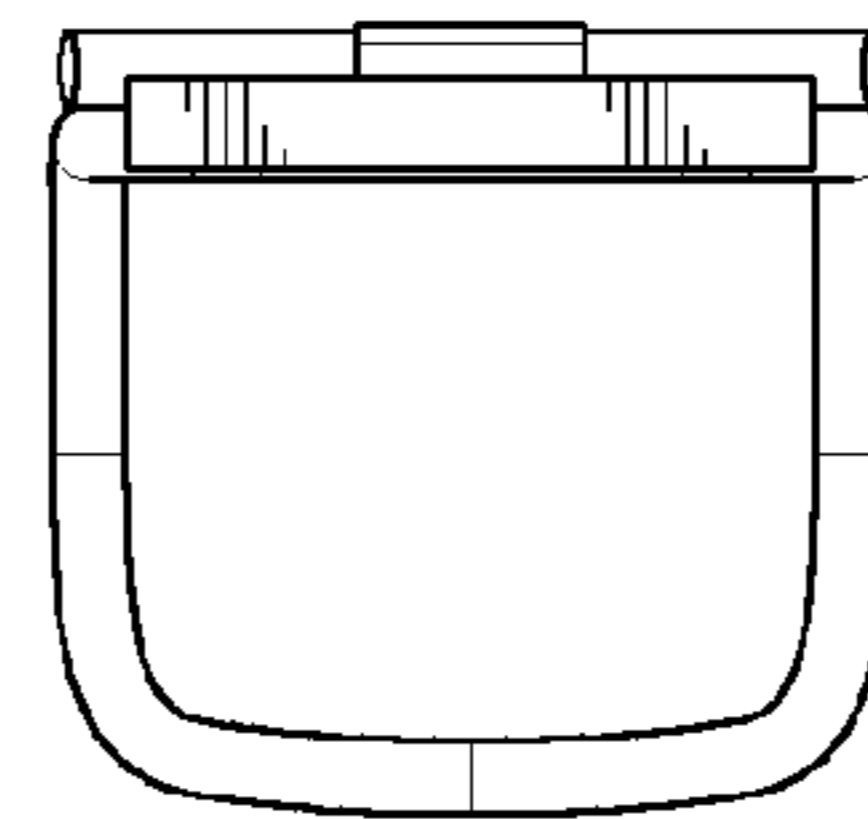


Fig.7

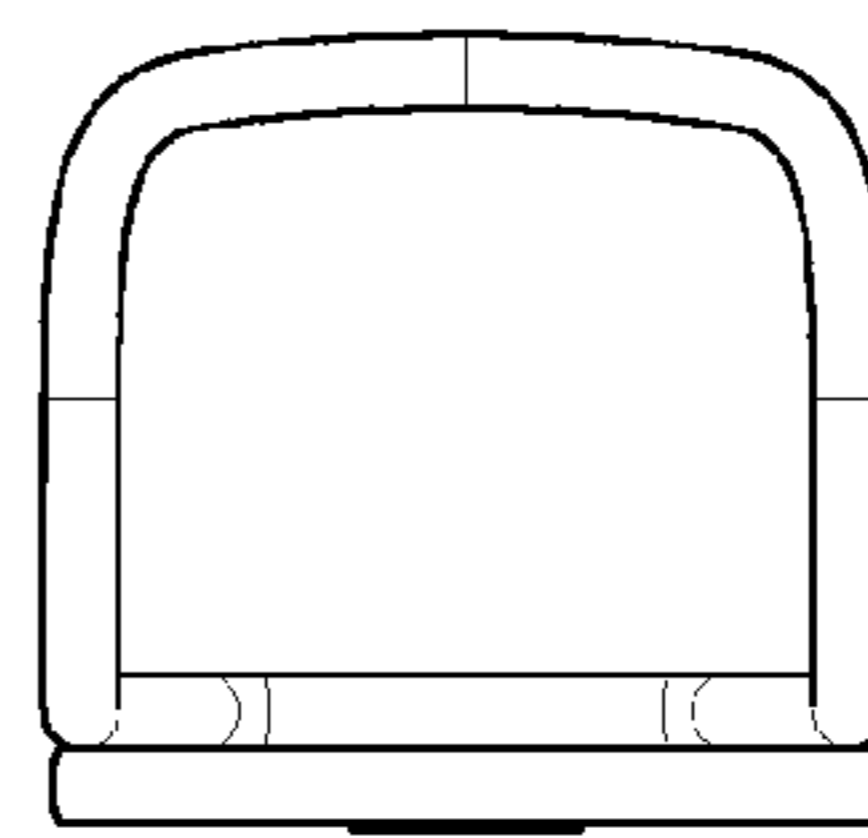


Fig.8

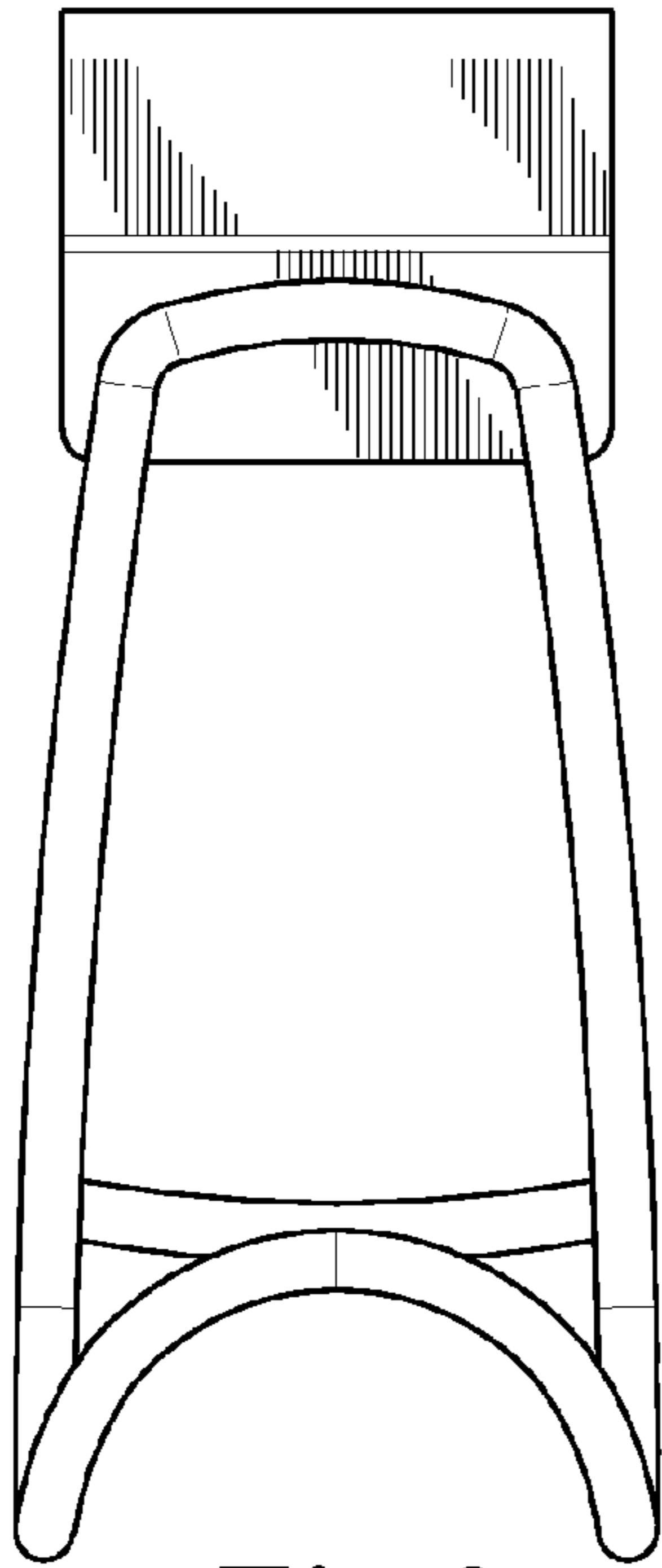


Fig.9

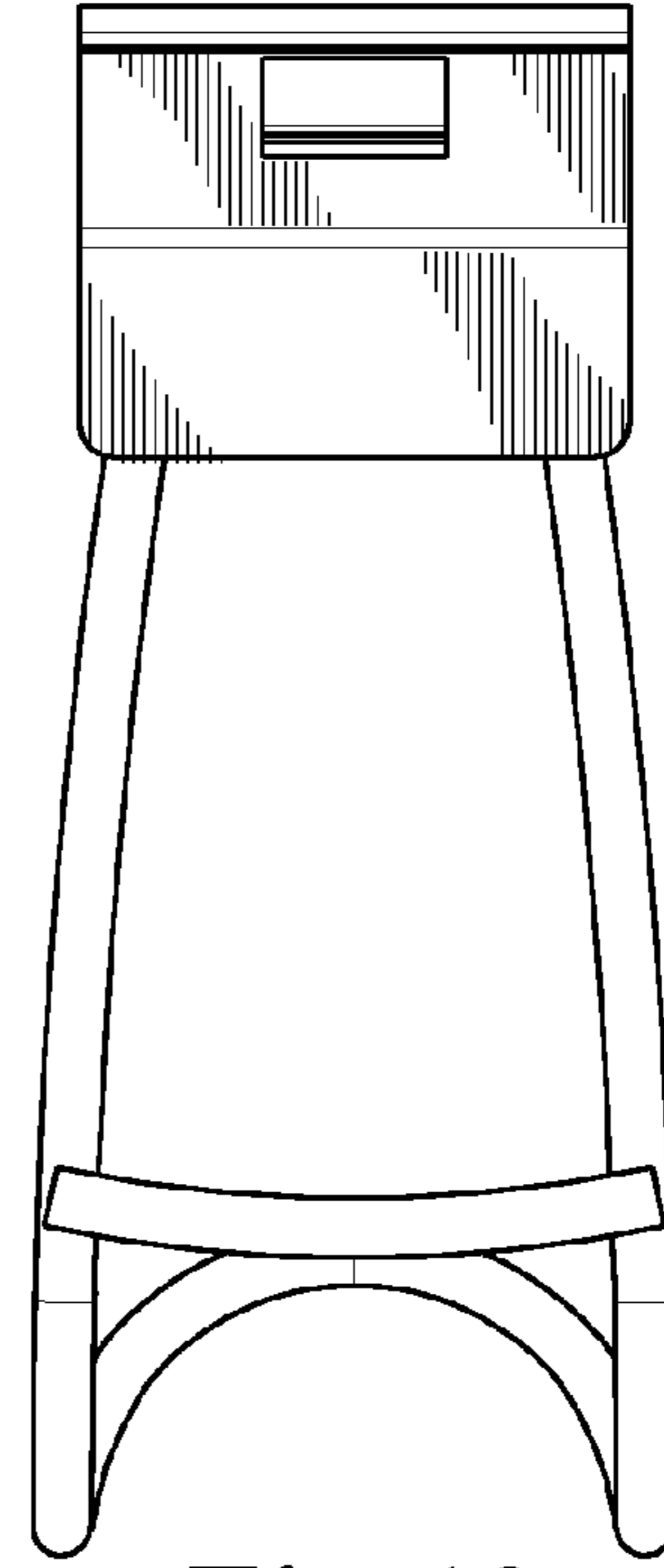


Fig.10

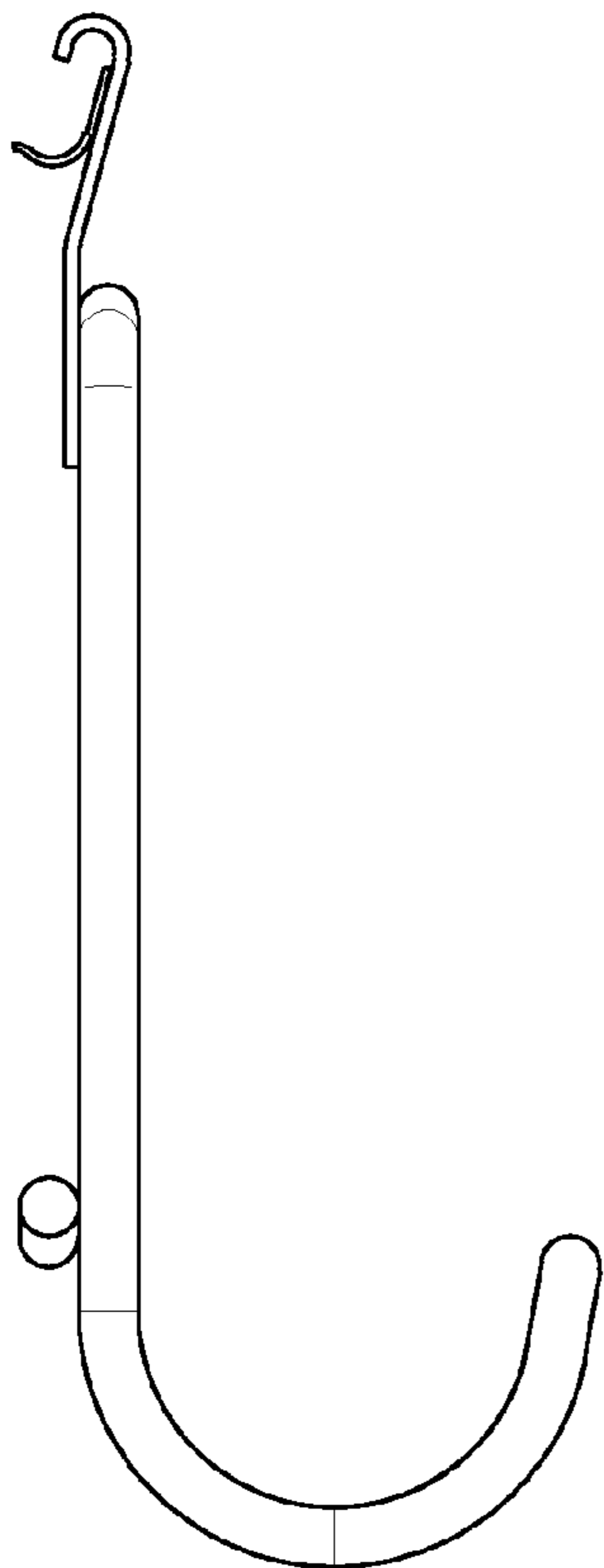


Fig.11

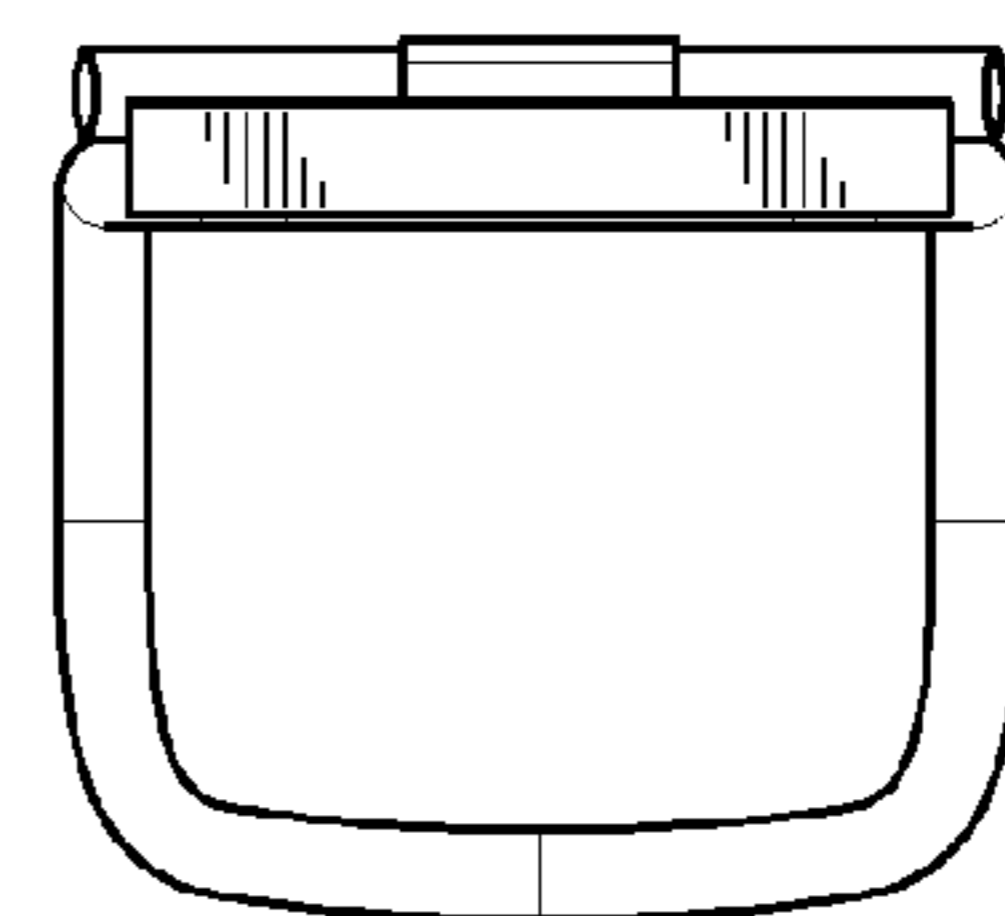


Fig.12

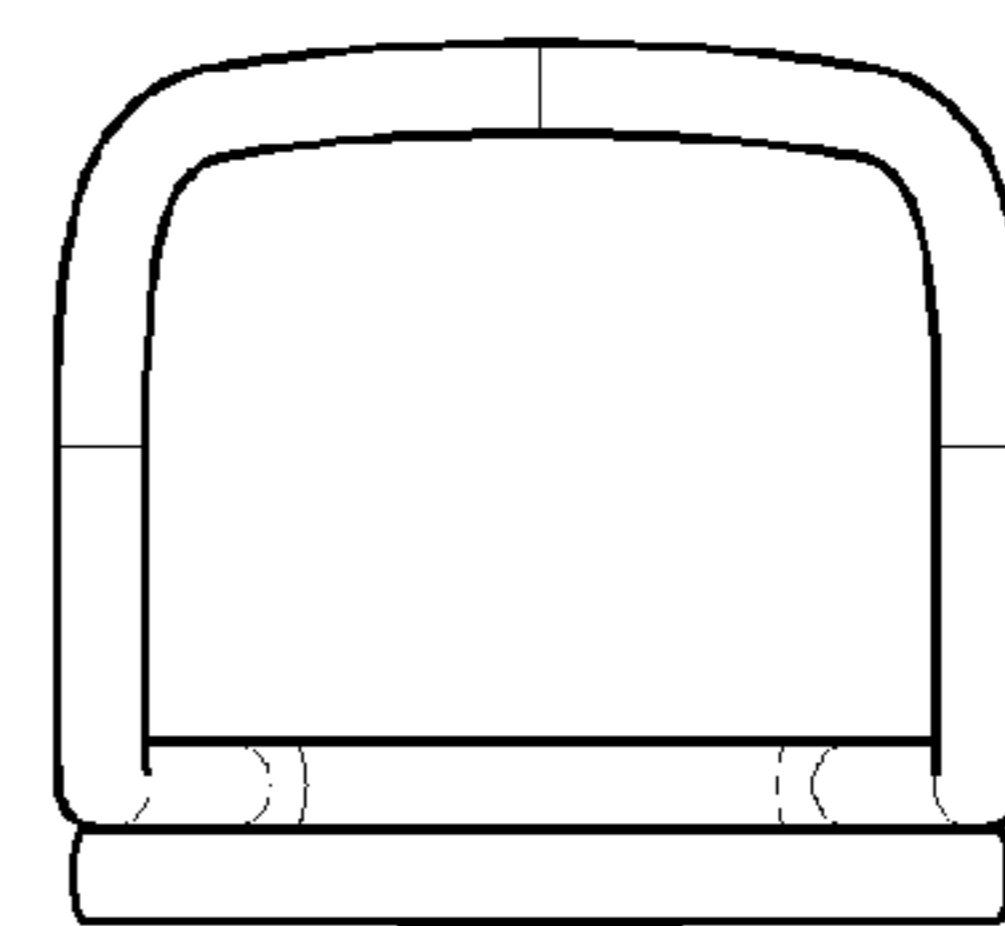


Fig.13