



US00D580743S

(12) **United States Design Patent**
Short

(10) **Patent No.:** **US D580,743 S**
(45) **Date of Patent:** **** Nov. 18, 2008**

(54) **MOUNTING BRACKET**

(75) Inventor: **Mark Short**, West Midlands (GB)

(73) Assignee: **AVF Group Limited**, Telford,
Shropshire (GB)

(**) Term: **14 Years**

(21) Appl. No.: **29/291,336**

(22) Filed: **Aug. 24, 2007**

(51) **LOC (8) Cl.** **08-05**

(52) **U.S. Cl.** **D8/363; D14/452**

(58) **Field of Classification Search** D8/363,
D8/373; D14/209, 224, 229, 238, 451-452;
248/124.1, 240, 278.1, 280.11, 291.1, 309.1,
248/316.1

See application file for complete search history.

(56) **References Cited**

U.S. PATENT DOCUMENTS

D367,477 S * 2/1996 Rosen D14/452

(Continued)

Primary Examiner—Holly H Baynham

(74) *Attorney, Agent, or Firm*—Wells St. John, P.S.

(57) **CLAIM**

The ornamental design for a 'mounting bracket,' as shown herein.

DESCRIPTION

FIG. 1 is a top perspective view of the mounting bracket when in an extended configuration;

FIG. 2 is an inverted view of one side of the mounting bracket when in an extended configuration;

FIG. 3 is a top plan view of the mounting bracket when in an extended configuration;

FIG. 4 is a view of the opposite side of the mounting bracket when in an extended configuration;

FIG. 5 is an underneath plan view of the mounting bracket when in an extended configuration;

FIG. 6 is a rear view of the mounting bracket when in an extended configuration;

FIG. 7 is a front view of the mounting bracket when in an extended configuration;

FIG. 8 is a top perspective view of the mounting bracket when in a collapsed configuration;

FIG. 9 is an inverted view of one side of the mounting bracket when in a collapsed configuration;

FIG. 10 is a top plan view of the mounting bracket when in a collapsed configuration;

FIG. 11 is a view of the opposite side of the mounting bracket when in a collapsed configuration;

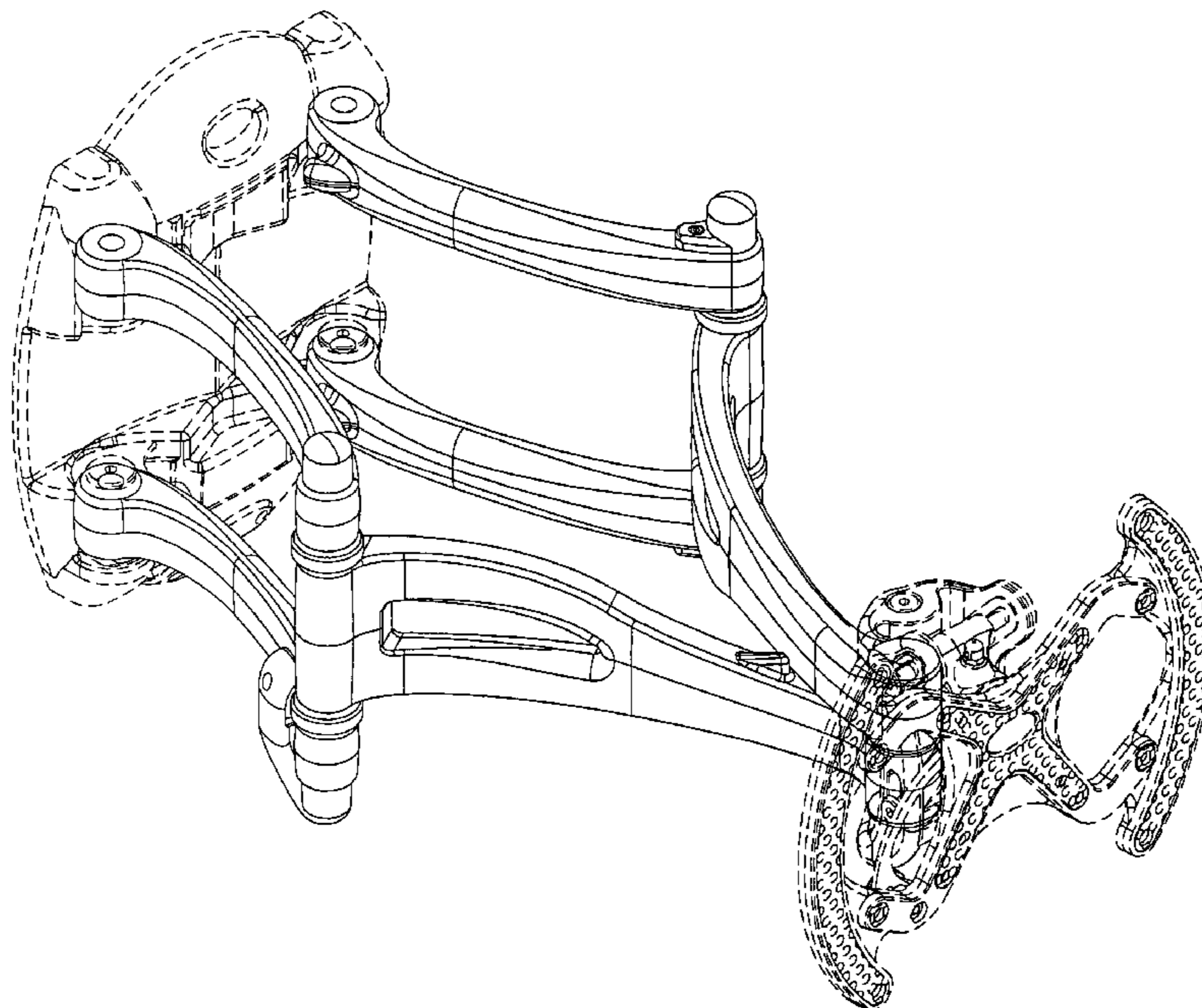
FIG. 12 is an underneath plan view of the mounting bracket when in a collapsed configuration;

FIG. 13 is a rear view of the mounting bracket when in a collapsed configuration; and,

FIG. 14 is a front view of the mounting bracket when in a collapsed configuration.

The broken line showing of mounting structure is included for the purpose of illustrating environment and forms no part of the claimed design.

1 Claim, 14 Drawing Sheets



US D580,743 S

Page 2

U.S. PATENT DOCUMENTS

6,857,610 B1 *	2/2005	Conner et al.	248/284.1	D525,618 S *	7/2006	Wilson et al.	D14/224
D503,719 S *	4/2005	Lin	D14/452	D529,033 S *	9/2006	Hung	D14/452
D505,858 S *	6/2005	O'Keene	D8/355	D539,127 S *	3/2007	Ly Hau et al.	D8/373
D507,477 S *	7/2005	Pfister	D8/363				

* cited by examiner

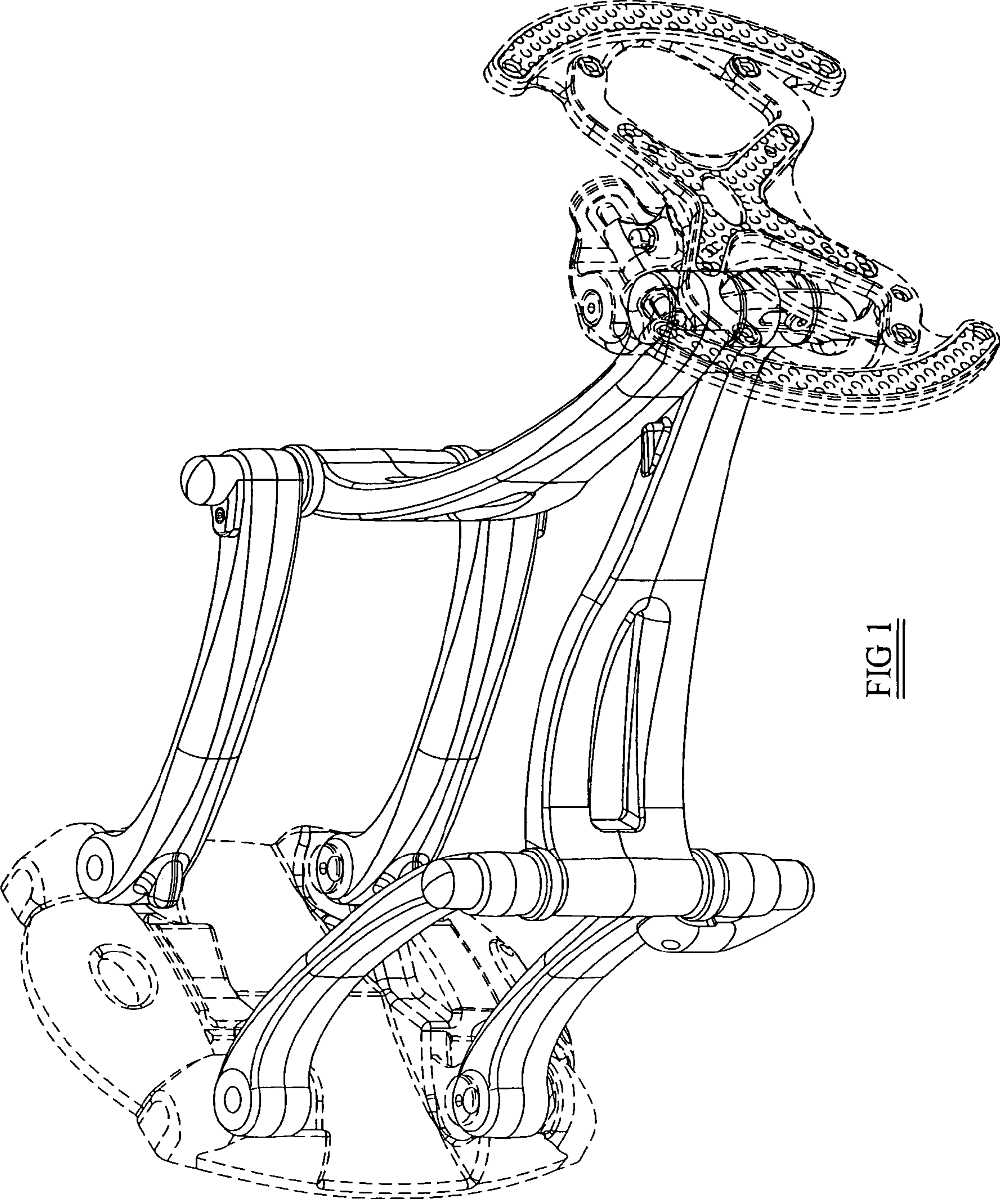


FIG 1

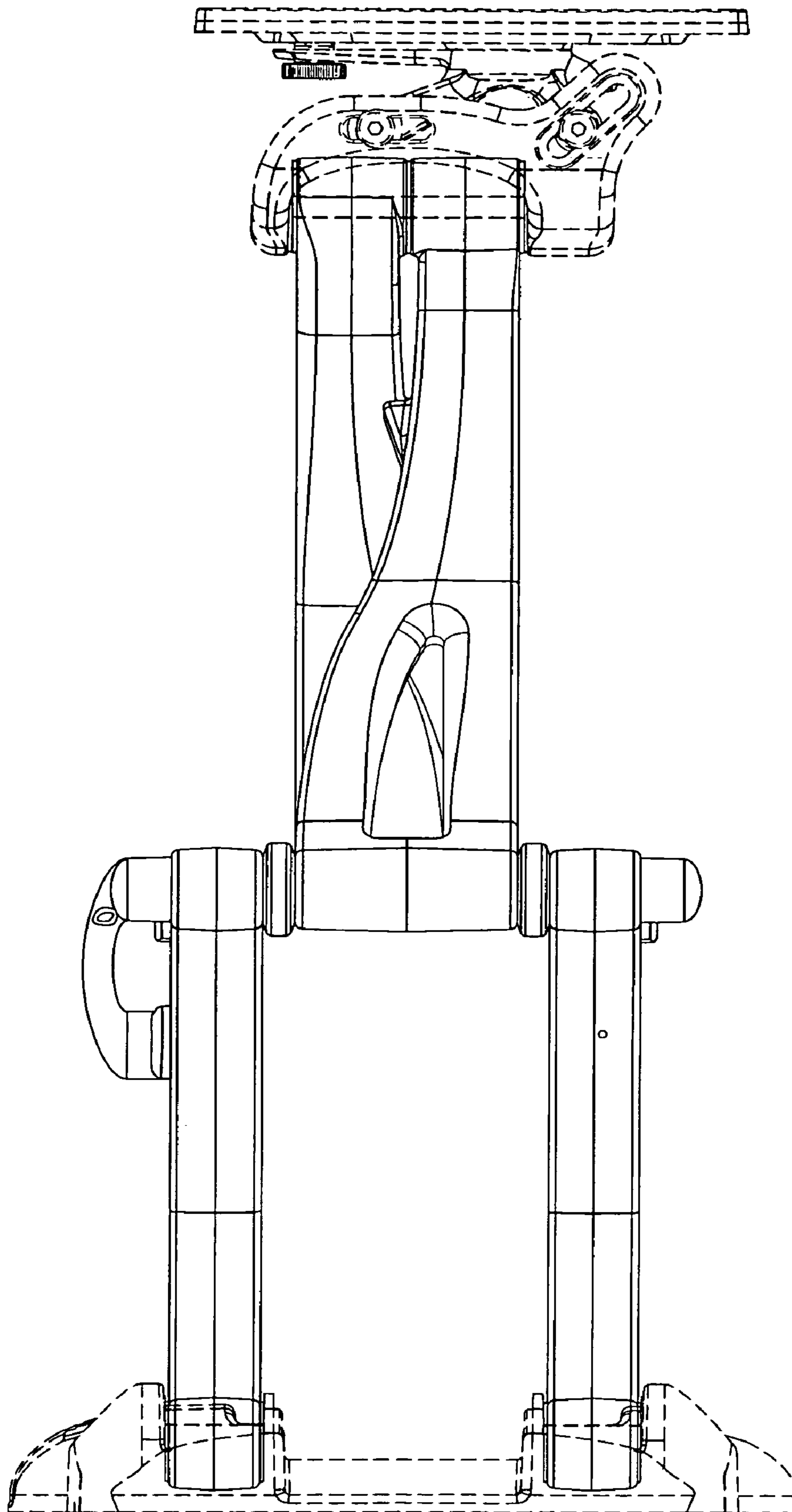


FIG 2

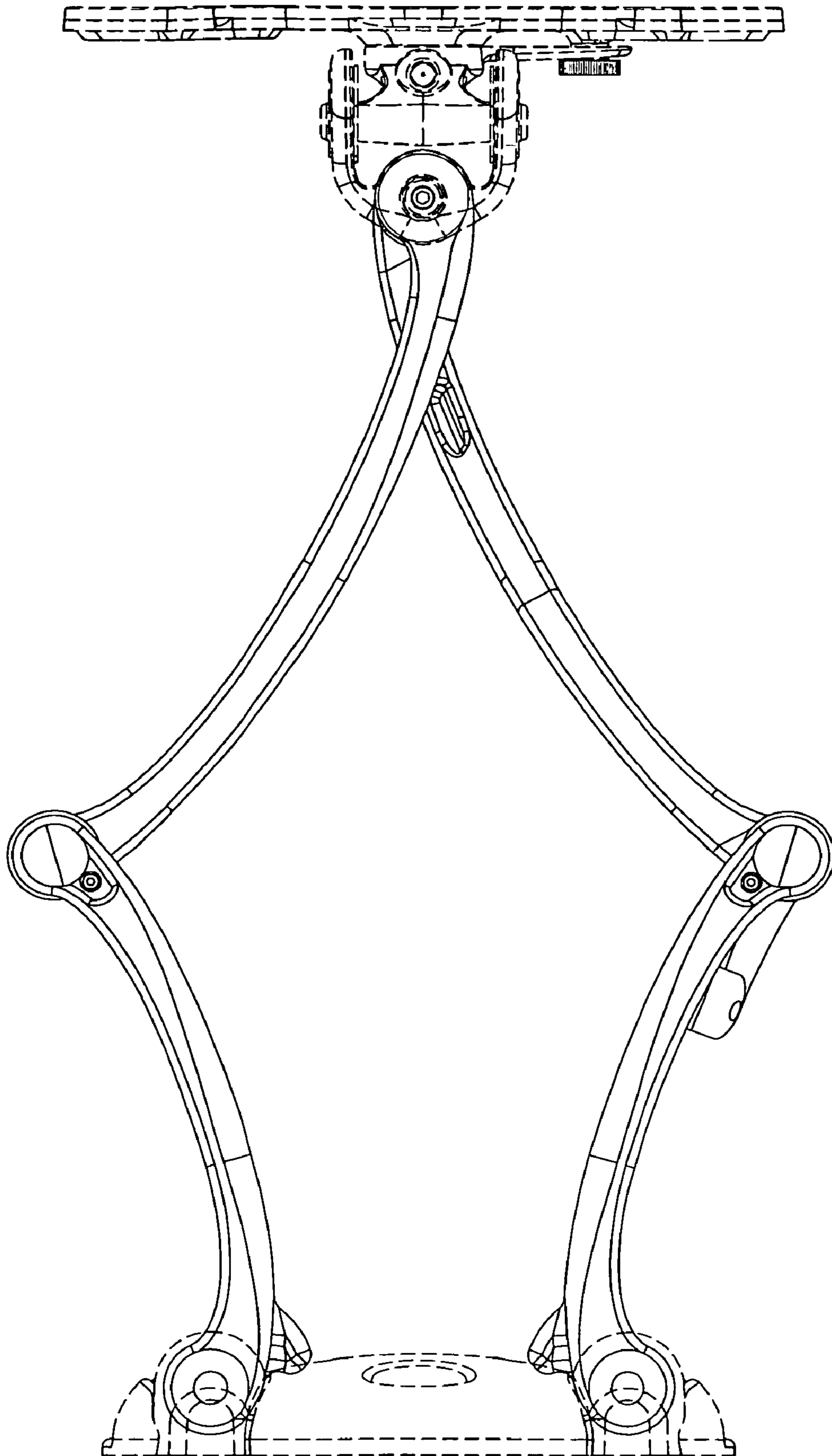


FIG 3

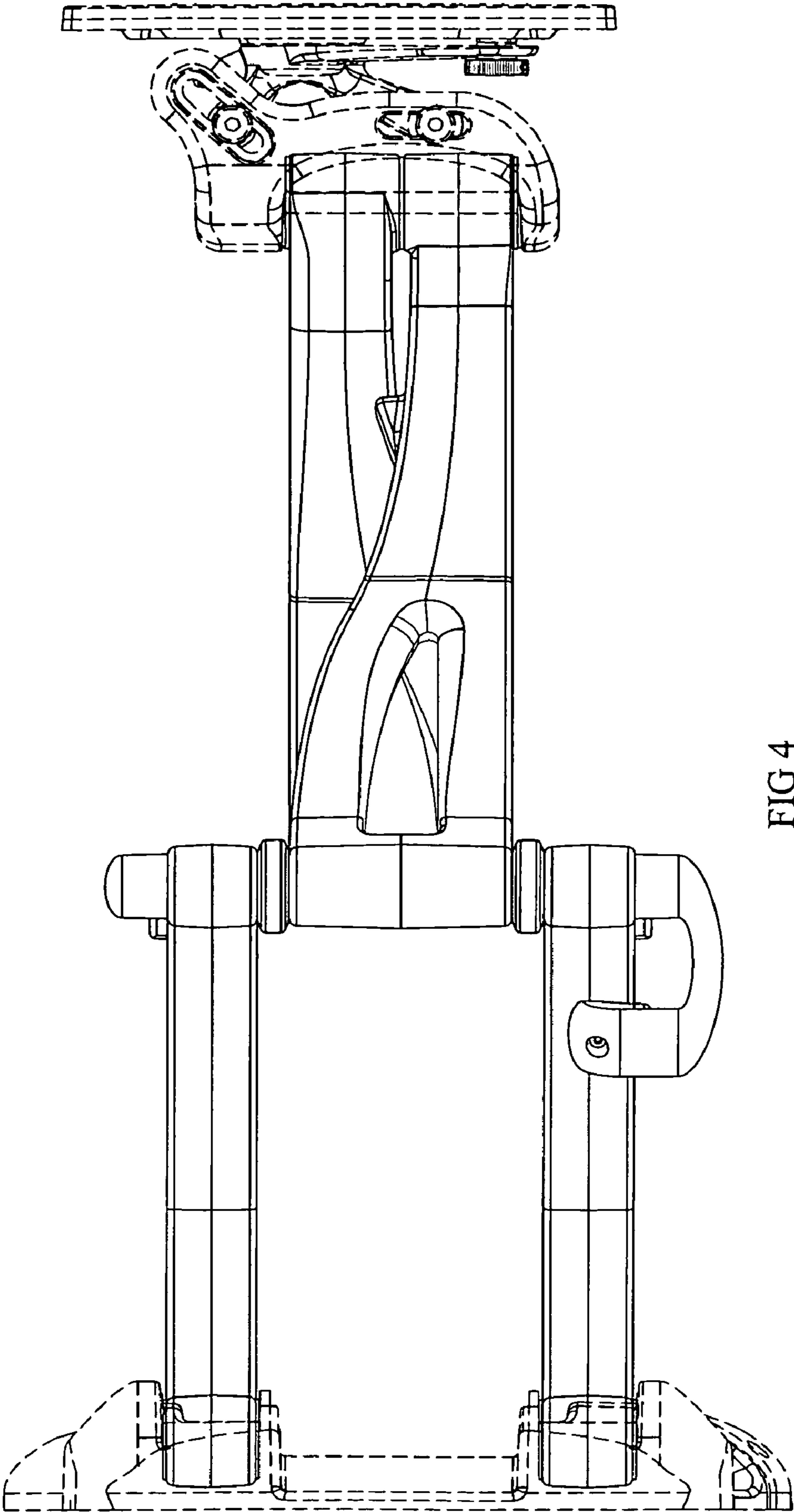


FIG 4

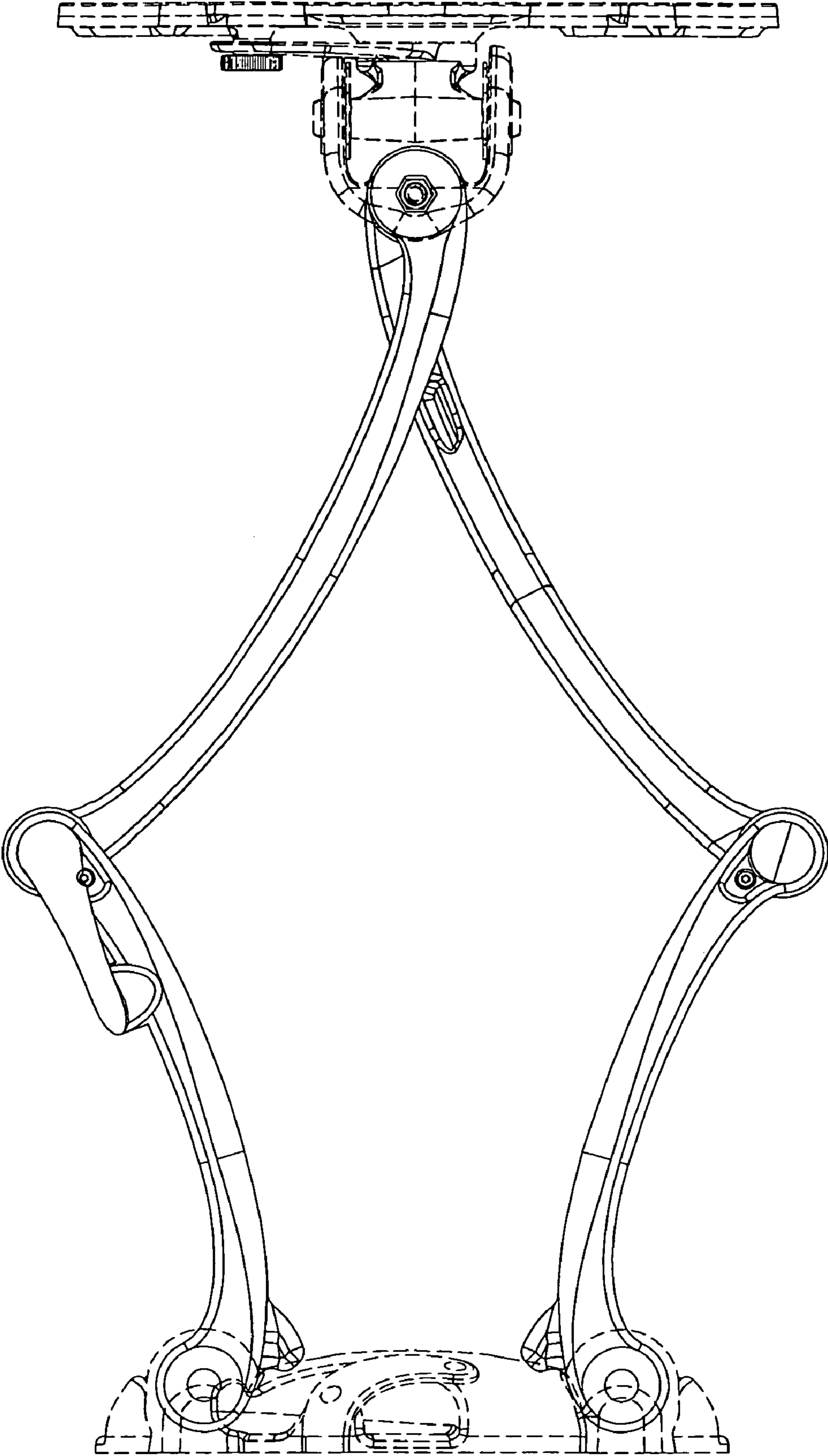


FIG 5

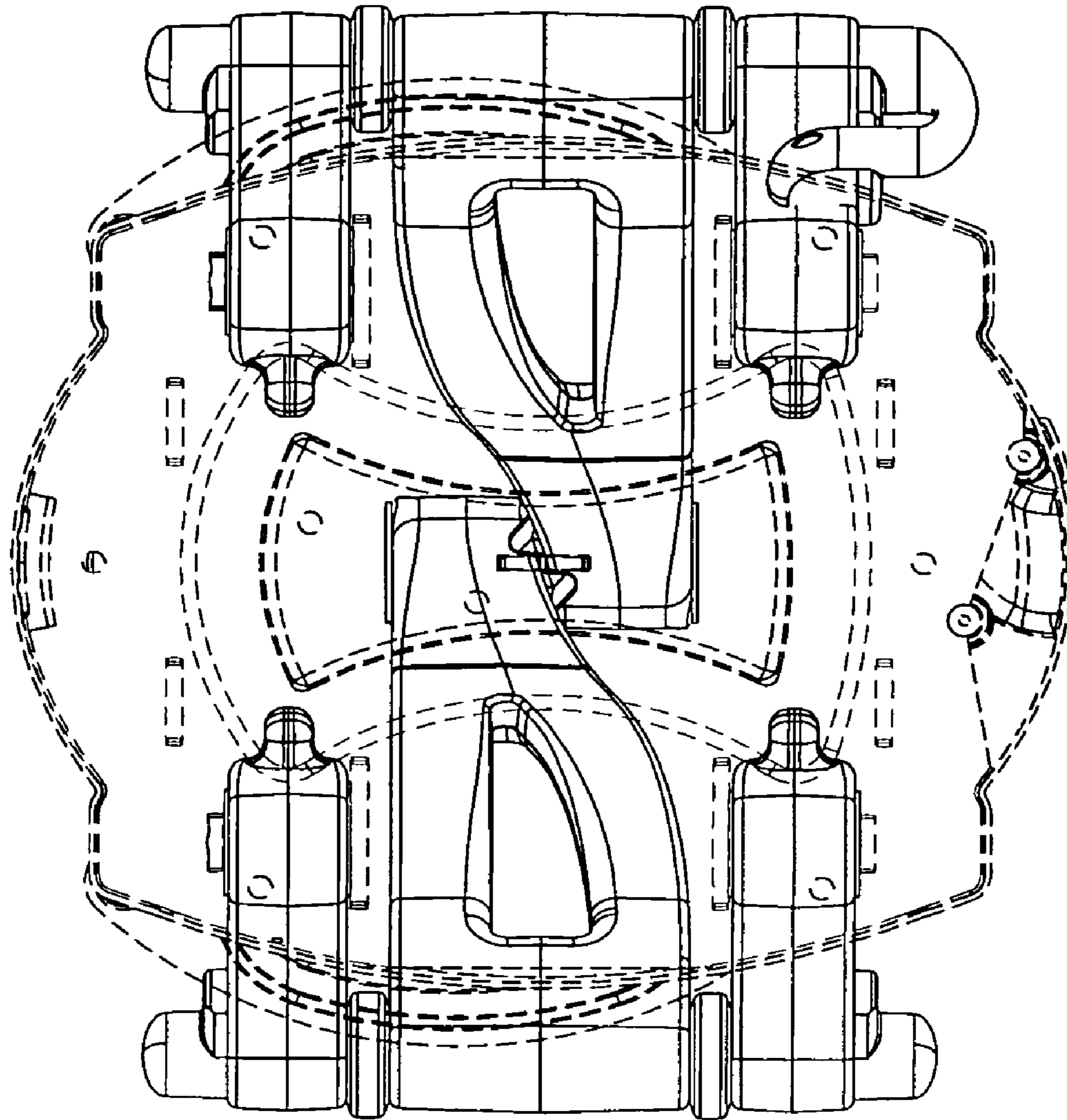


FIG 6

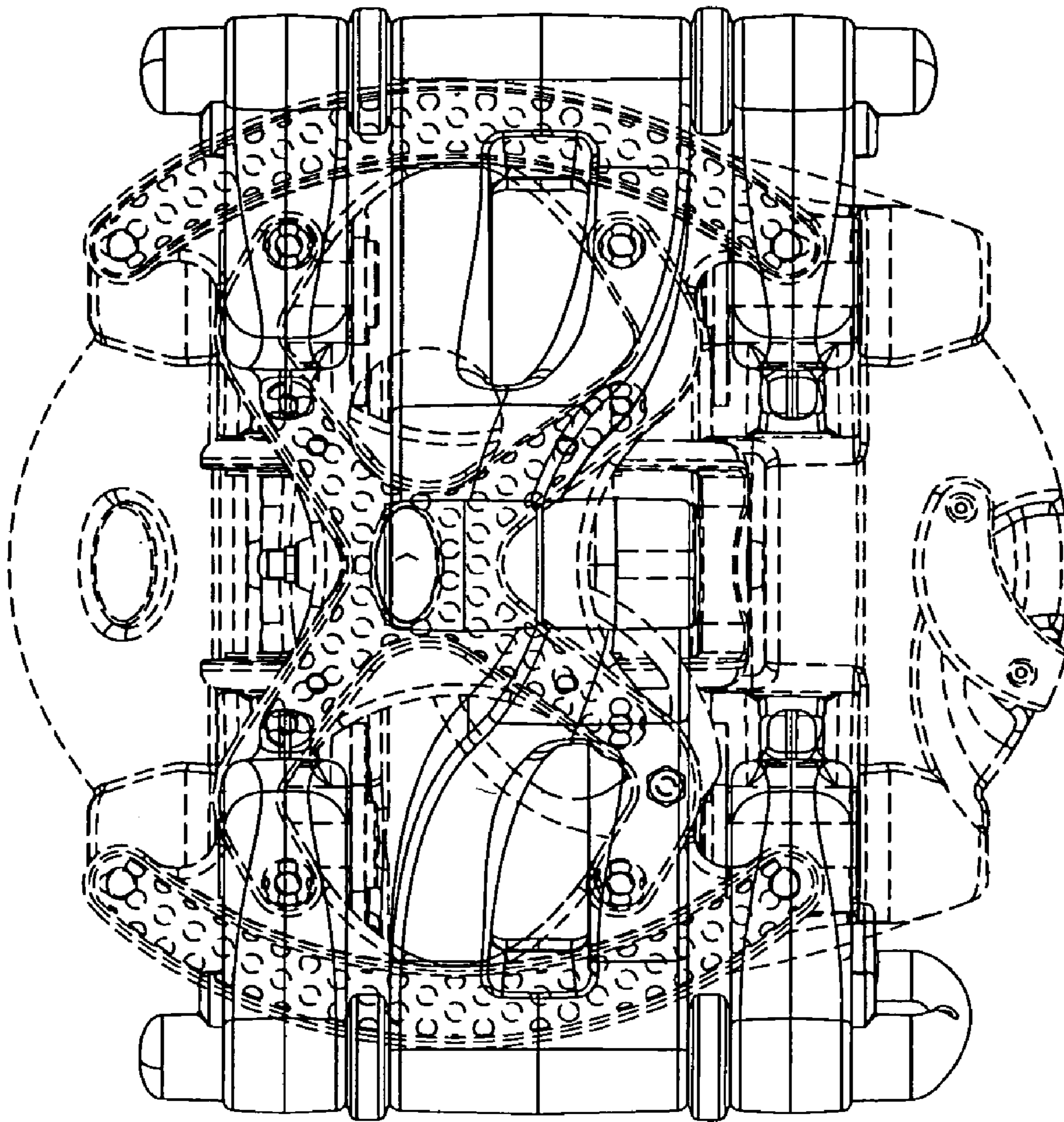


FIG 7

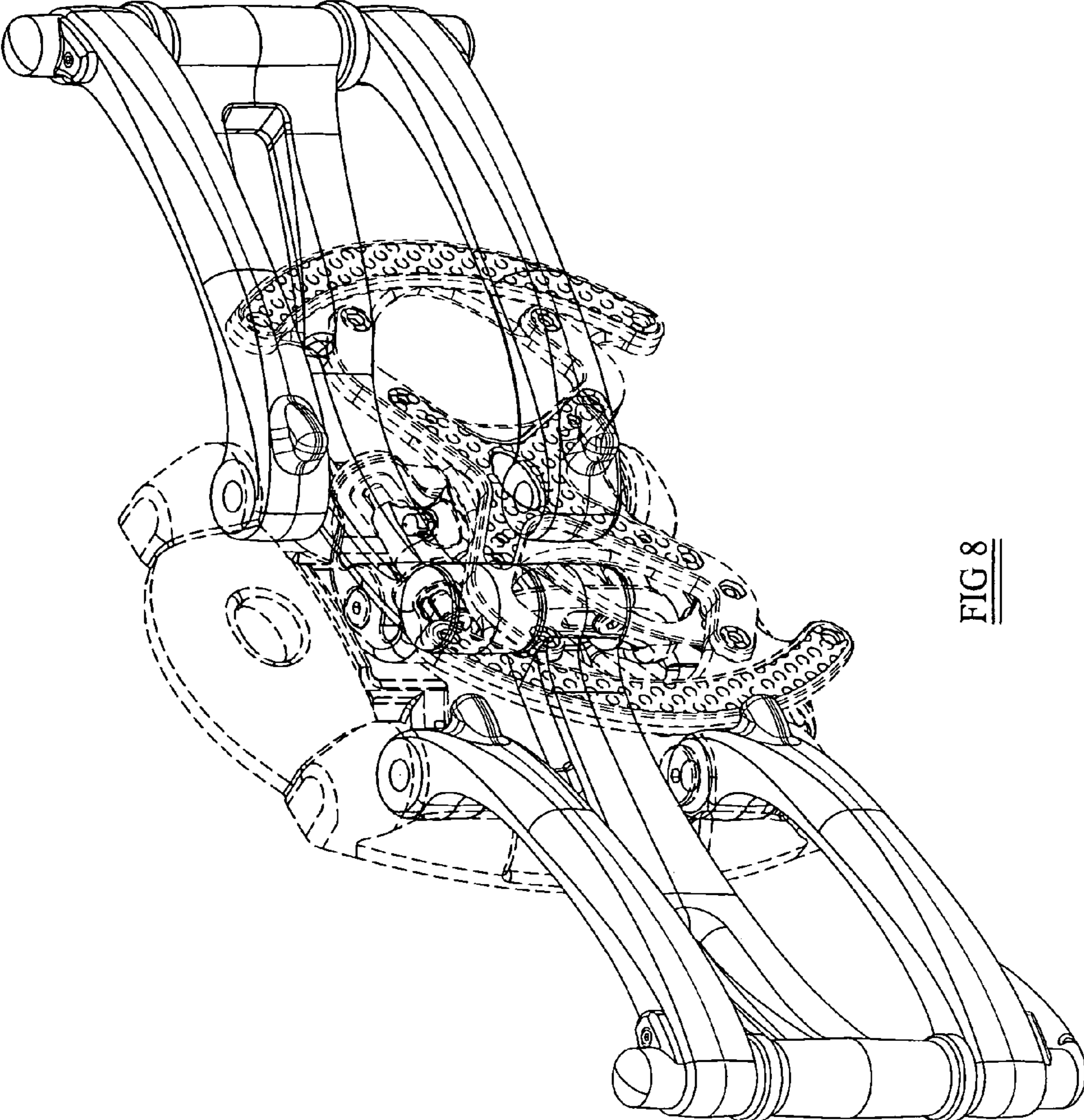


FIG 8

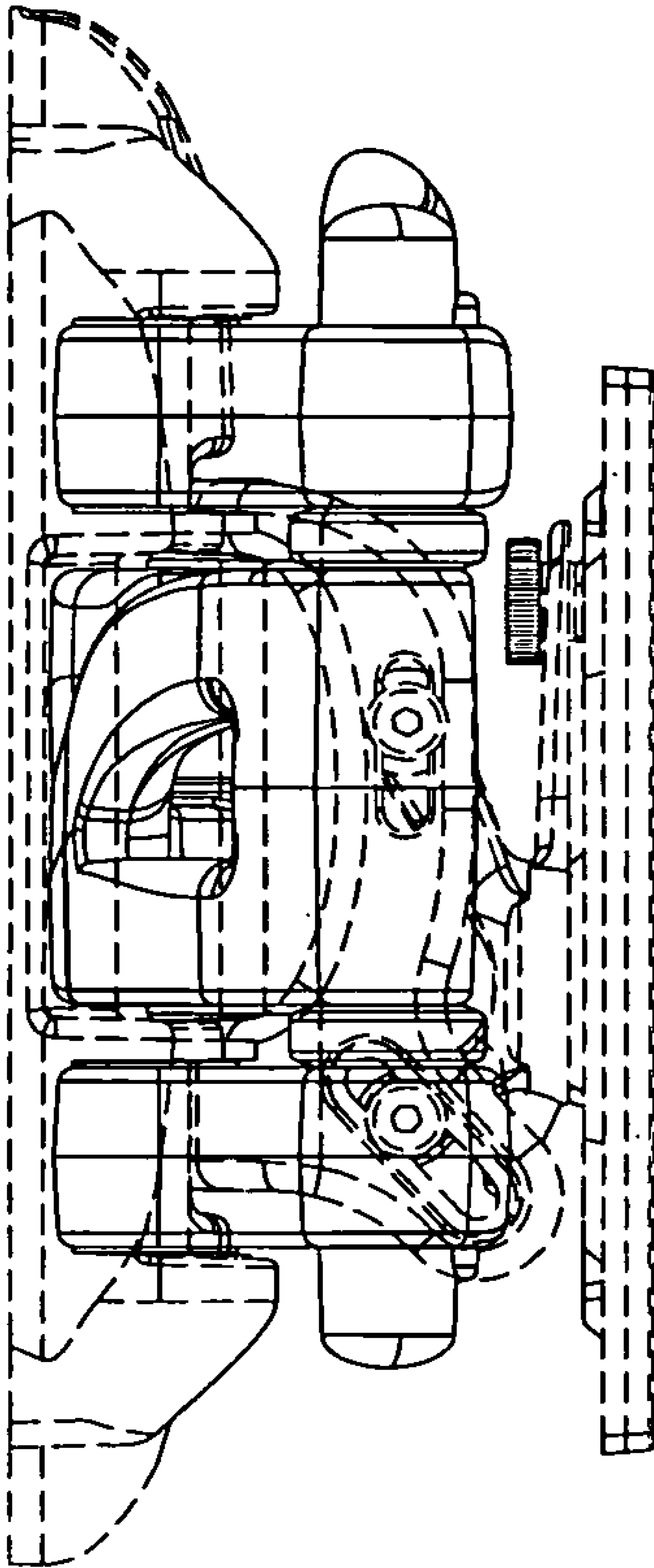


FIG 9

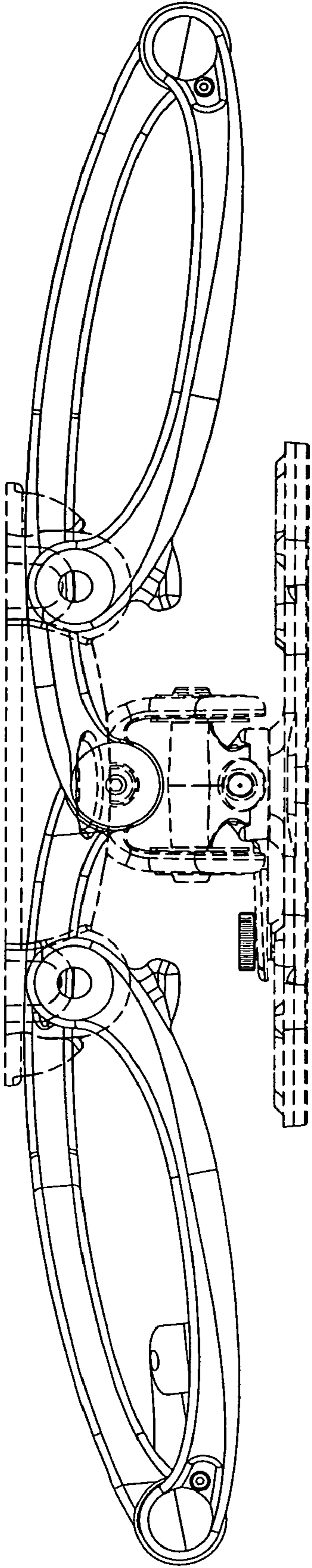


FIG 10

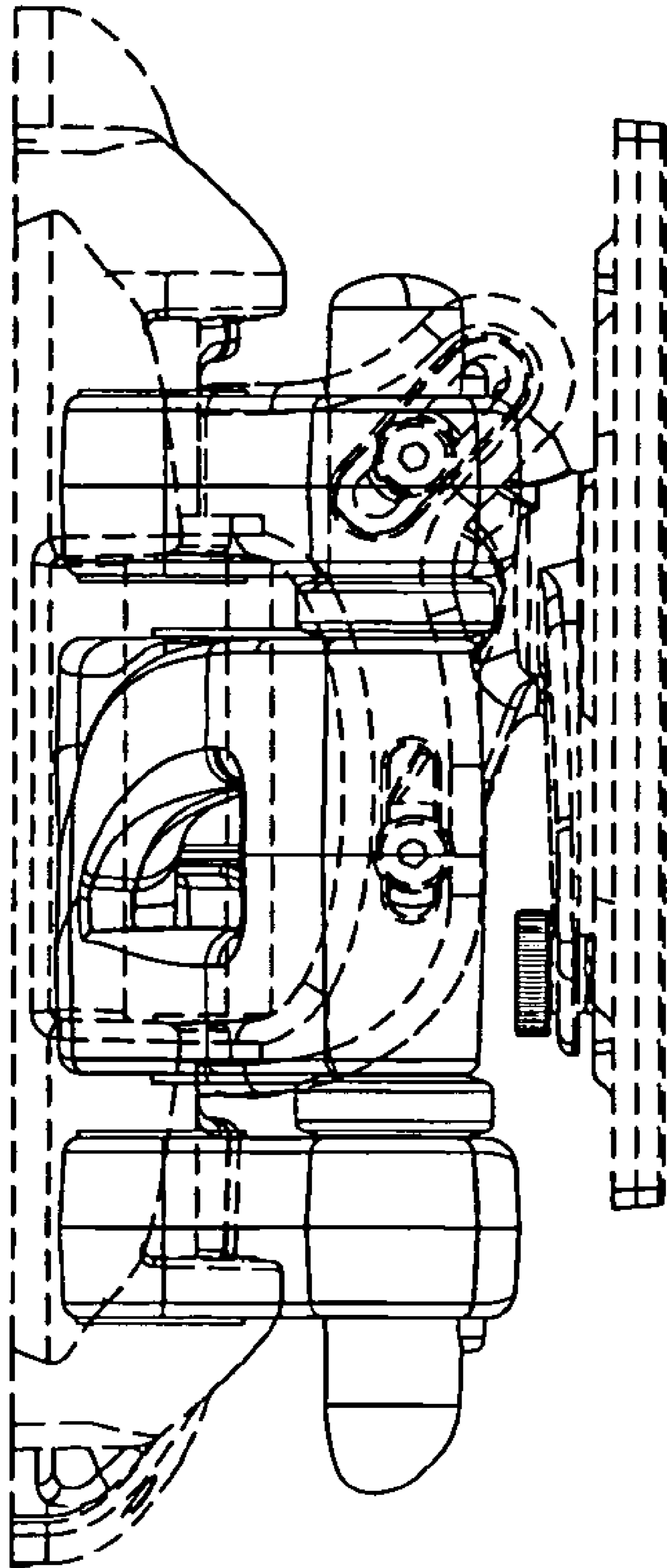


FIG 11

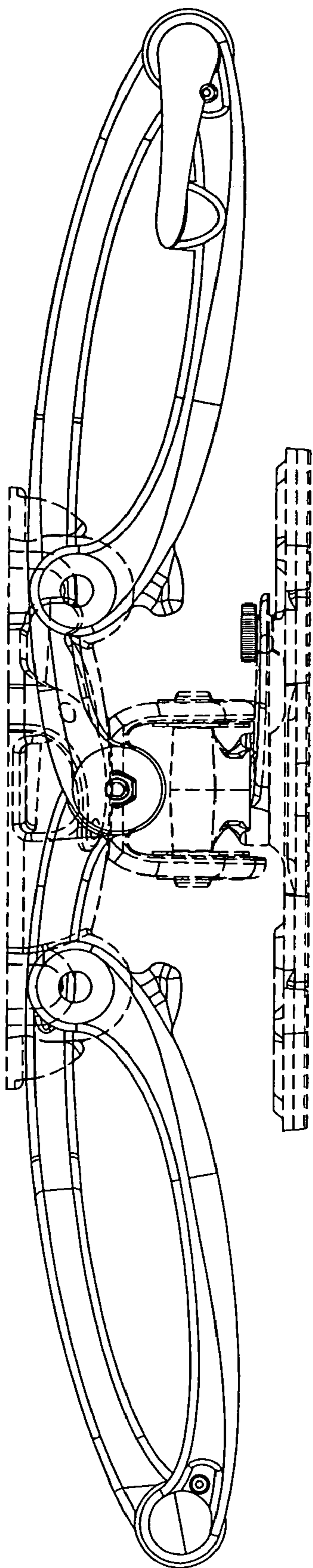


FIG 12

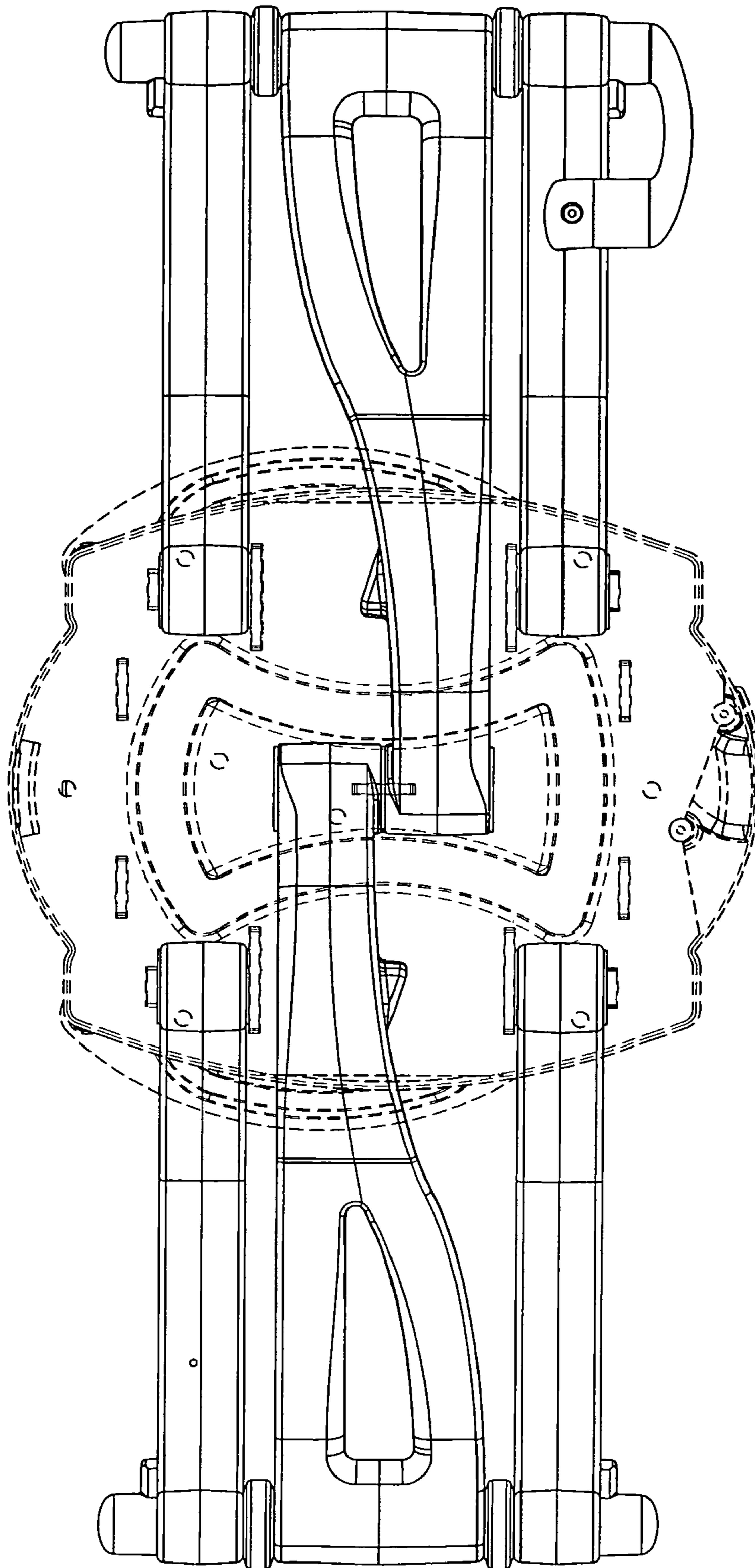


FIG 13

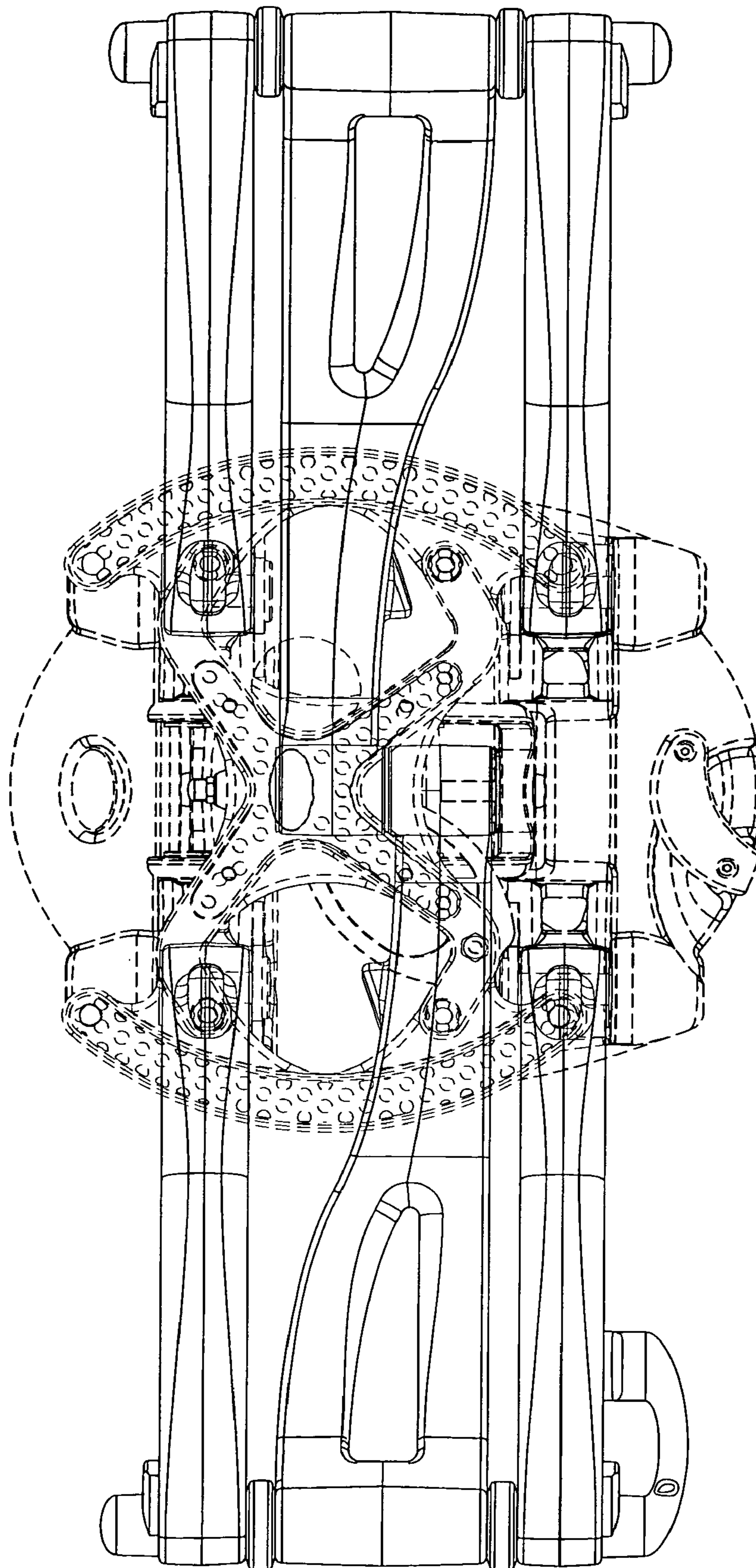


FIG 14