



US00D580741S

(12) **United States Design Patent**
Short

(10) **Patent No.:** **US D580,741 S**

(45) **Date of Patent:** **** Nov. 18, 2008**

(54) **MOUNTING BRACKET**

(75) Inventor: **Mark Short**, West Midlands (GB)

(73) Assignee: **AVF Group Limited**, Telford,
Shropshire (GB)

(**) Term: **14 Years**

(21) Appl. No.: **29/291,337**

(22) Filed: **Aug. 24, 2007**

(51) **LOC (8) Cl.** **08-05**

(52) **U.S. Cl.** **D8/354; D8/363**

(58) **Field of Classification Search** D8/363,
D8/354; D14/451-452; 248/274.1, 278.1,
248/284.1

See application file for complete search history.

(56) **References Cited**

U.S. PATENT DOCUMENTS

D504,305 S * 4/2005 Gillespie et al. D8/355

D514,612 S * 2/2006 Boele D16/235

* cited by examiner

Primary Examiner—Holly H Baynham
(74) *Attorney, Agent, or Firm*—Wells St. John, P.S.

(57) **CLAIM**

The ornamental design for a ‘mounting bracket’, as shown.

DESCRIPTION

FIG. 1 is a top perspective view of the mounting bracket;

FIG. 2 is an inverted rear view of the mounting bracket;

FIG. 3 is a top plan view of the mounting bracket;

FIG. 4 is a front view of the mounting bracket;

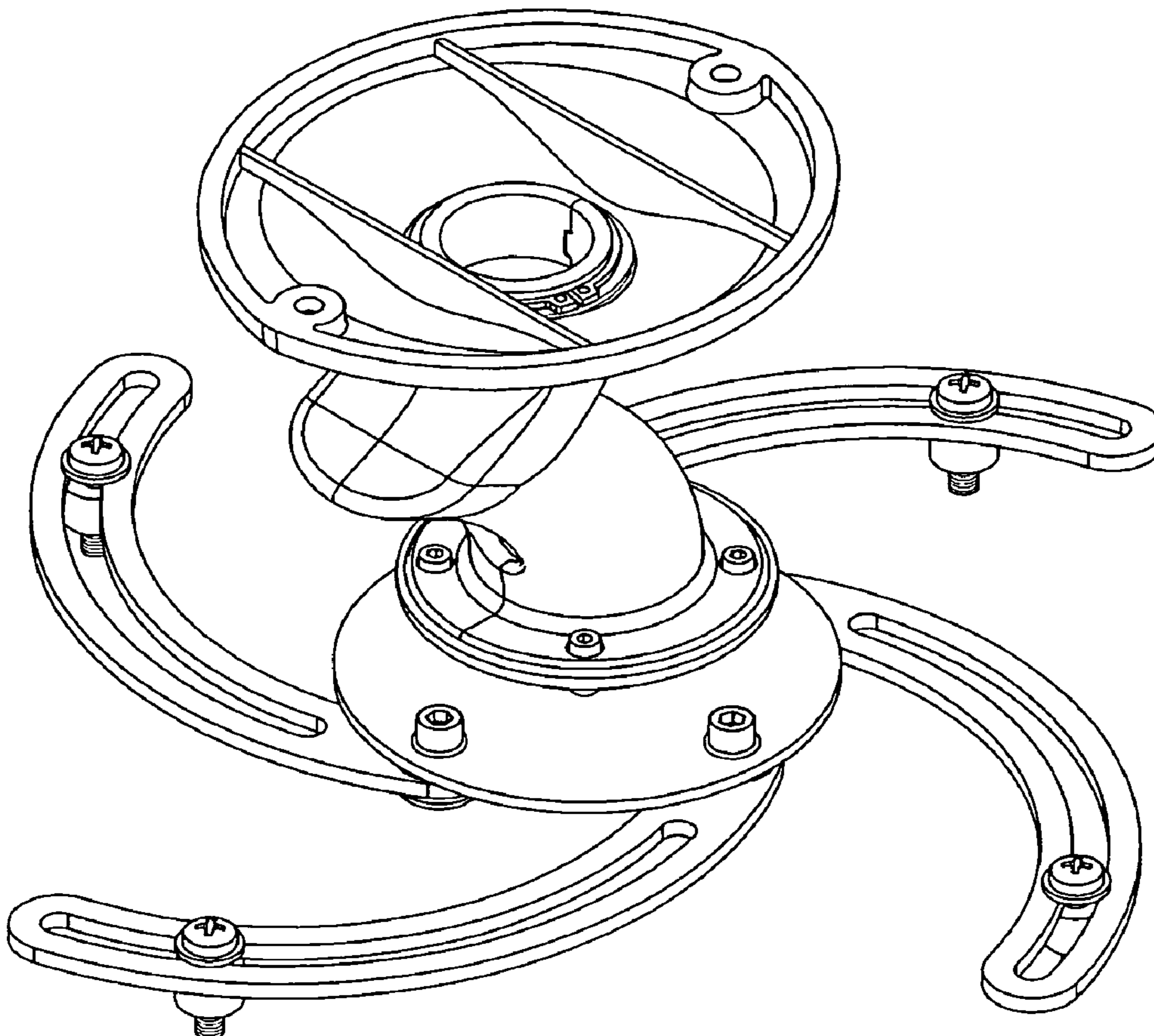
FIG. 5 is an underneath plan view of the mounting bracket;

FIG. 6 is a view from one side of the mounting bracket;

FIG. 7 is a view from the opposite side of the mounting bracket; and,

FIG. 8 is an underneath perspective view of the mounting bracket.

1 Claim, 8 Drawing Sheets



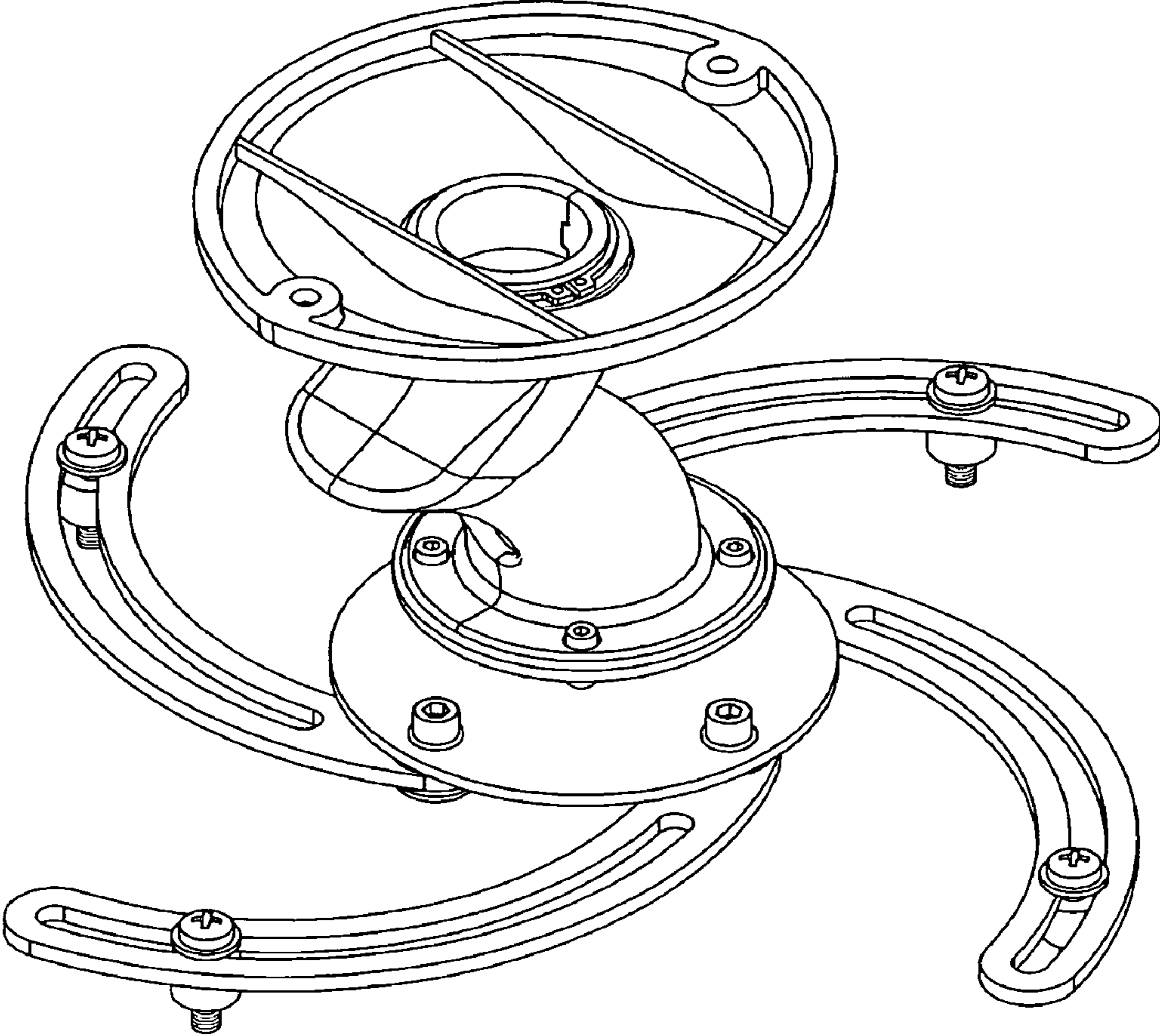


FIG 1

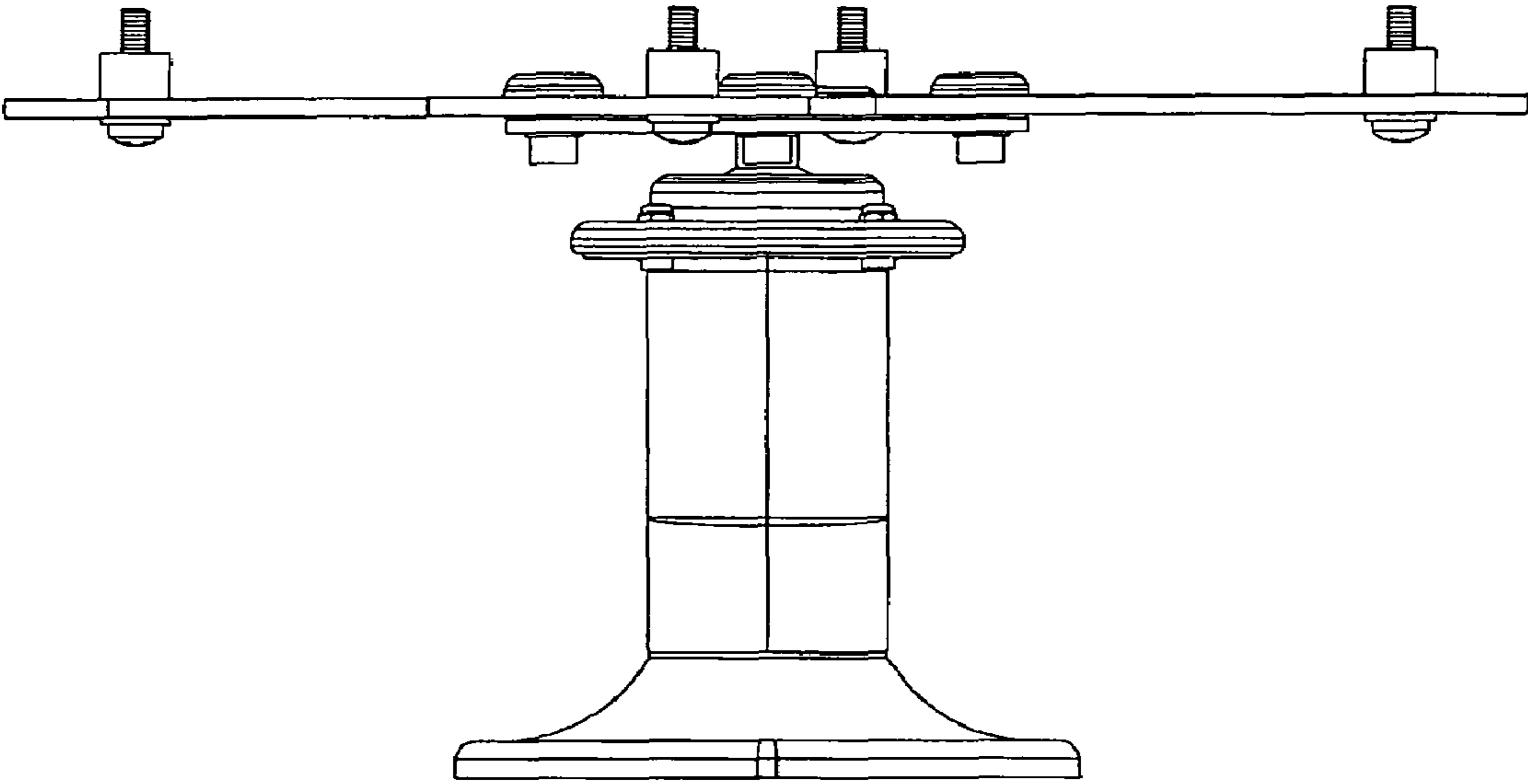


FIG 2

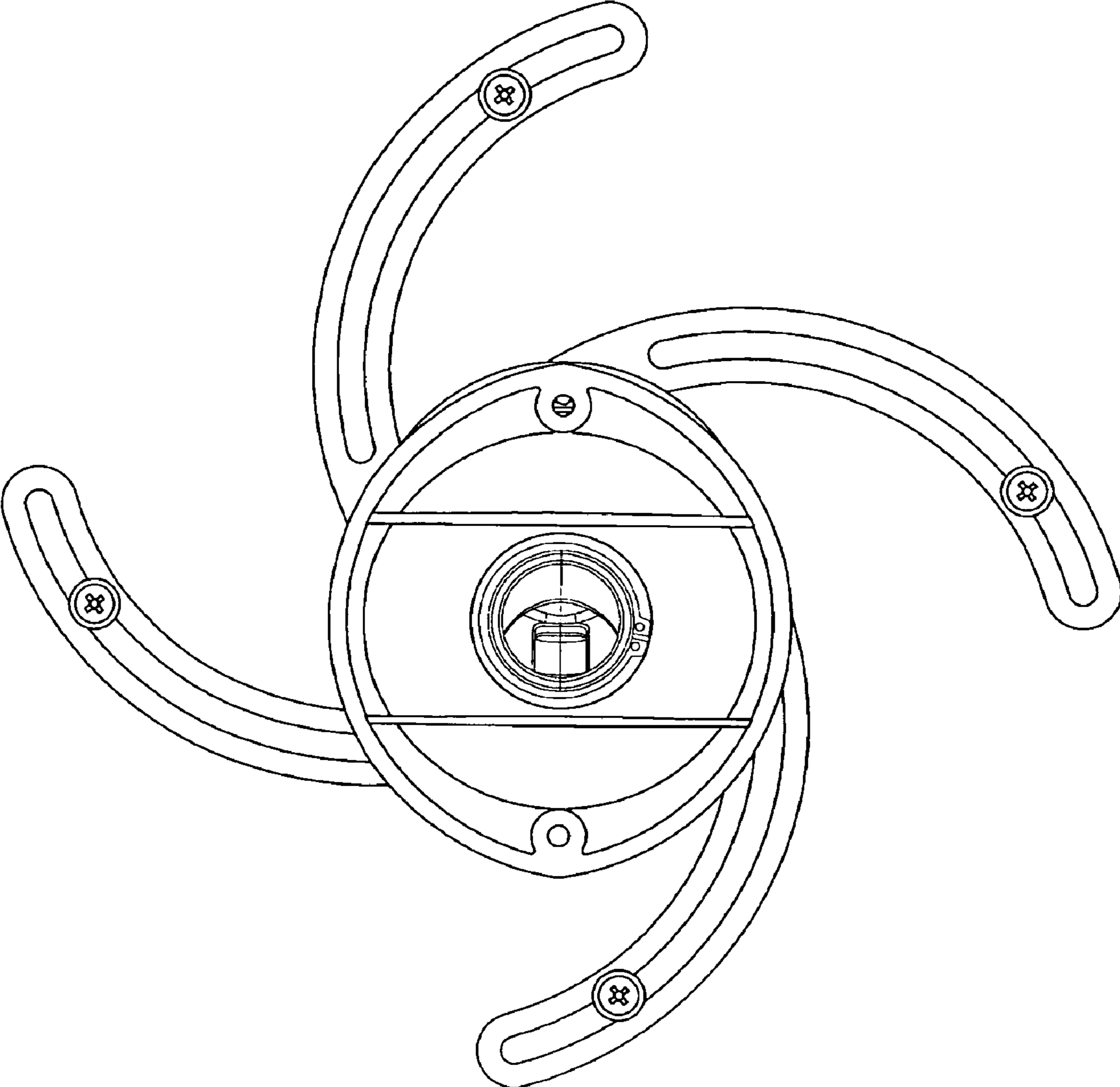


FIG 3

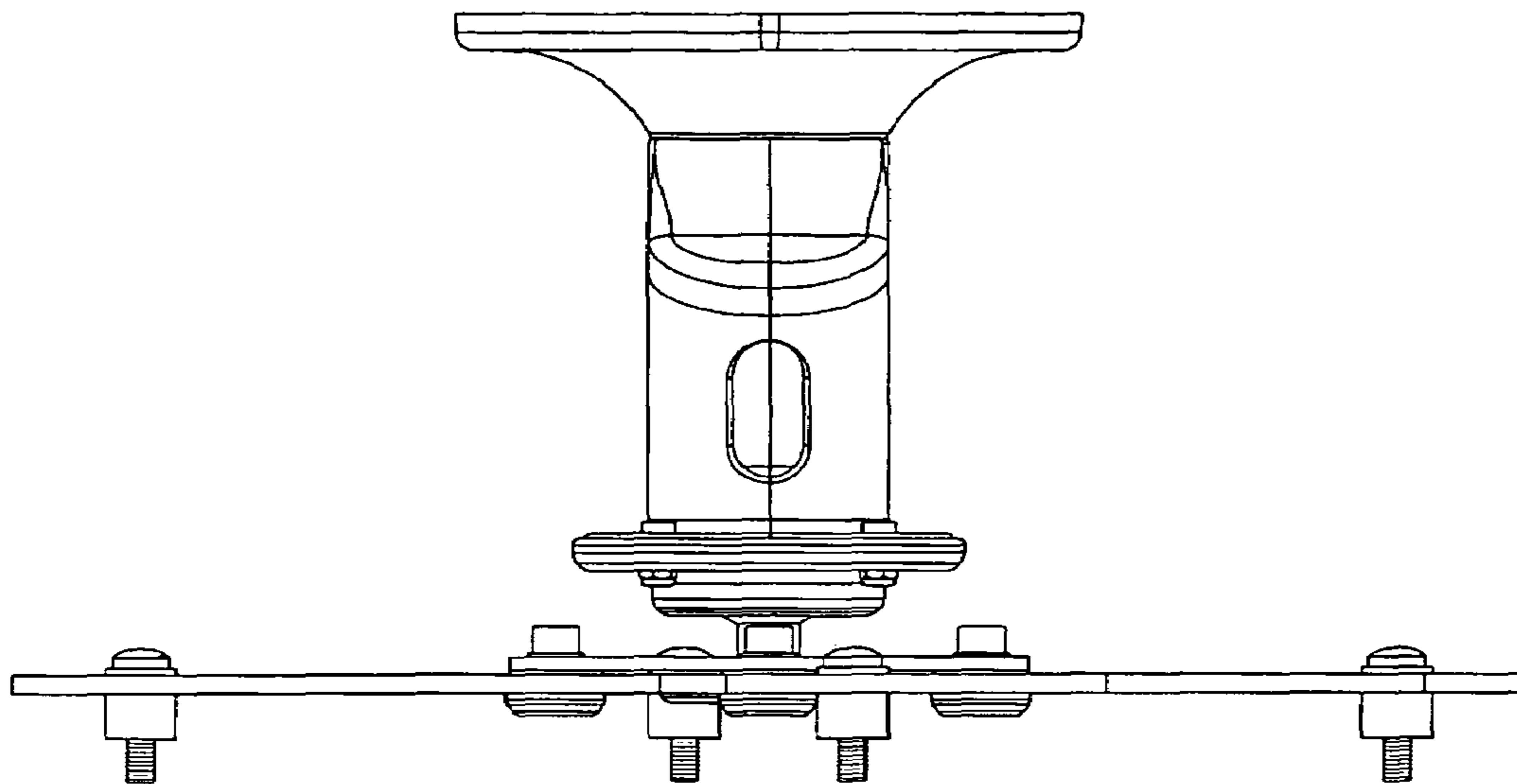


FIG 4

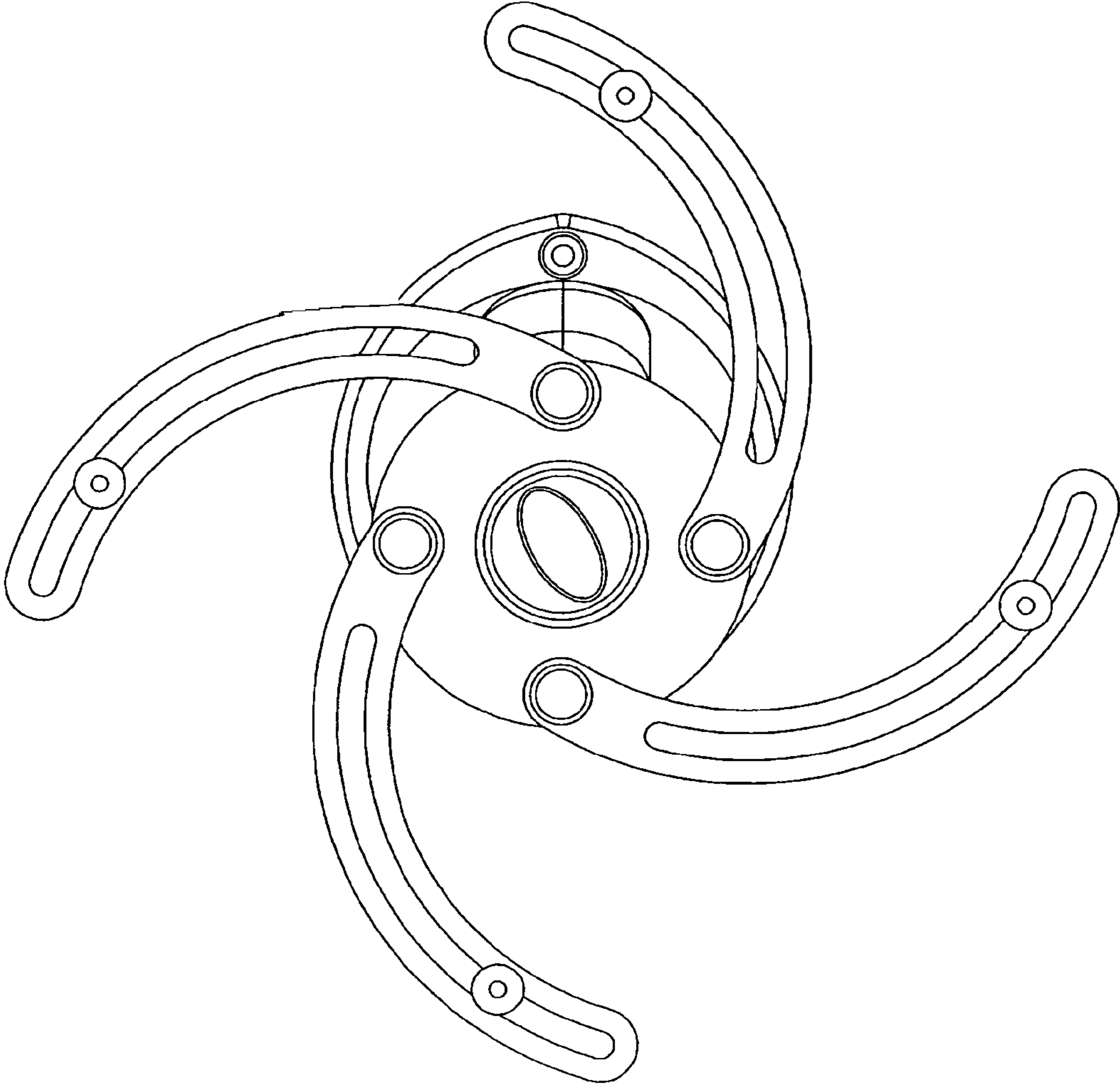


FIG 5

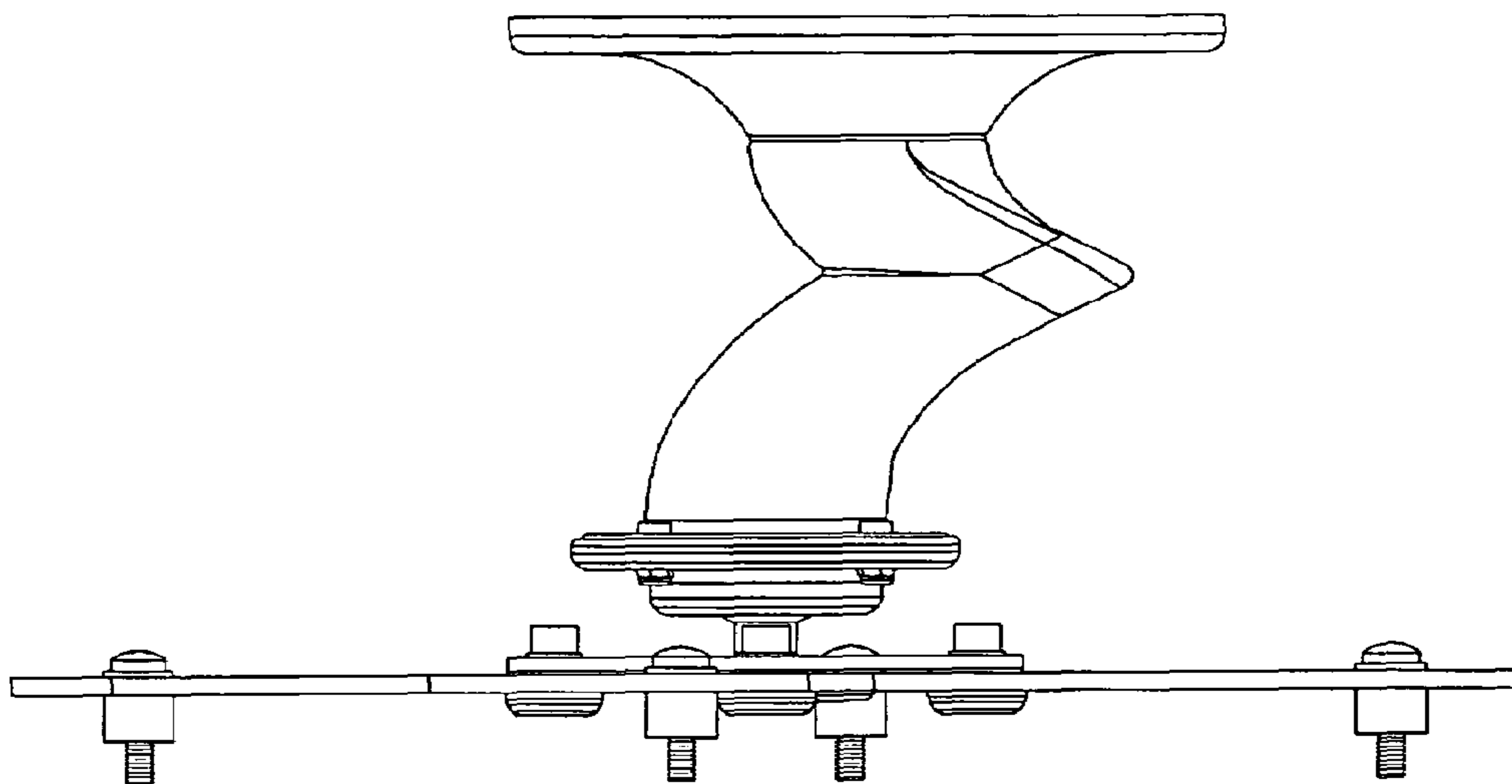


FIG 6

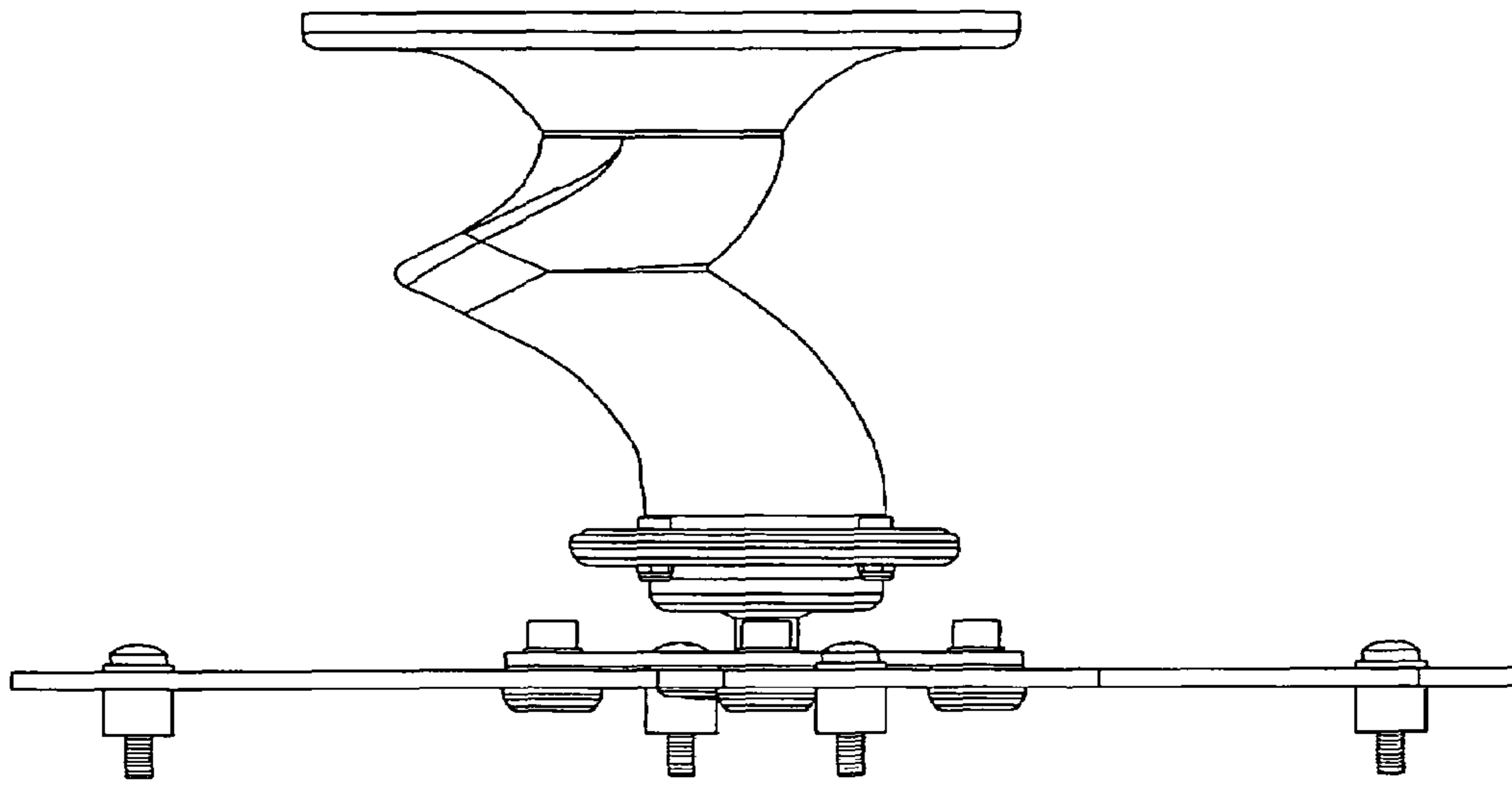


FIG 7

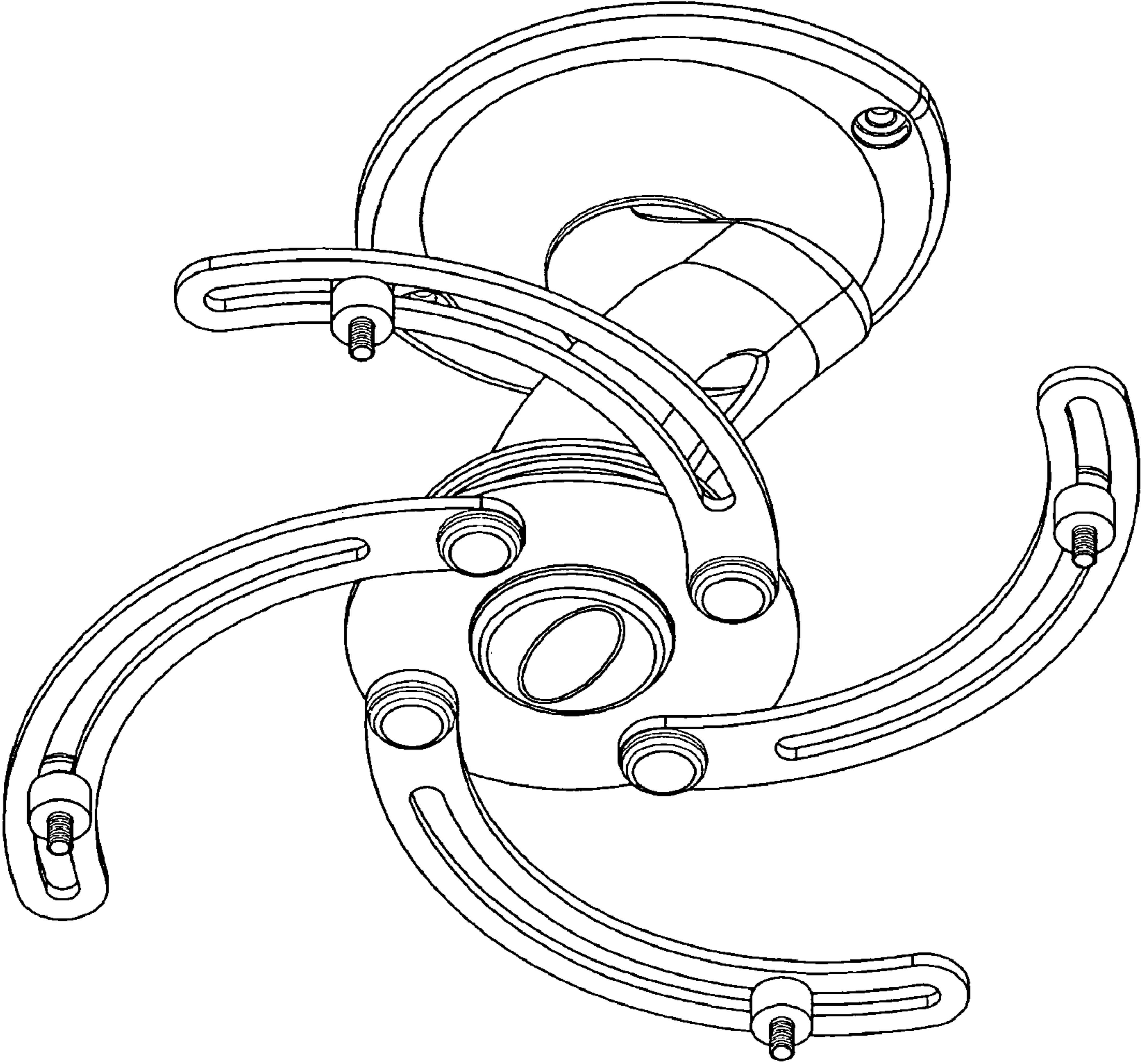


FIG 8