



US00D580739S

(12) **United States Design Patent**
Pelletier et al.

(10) **Patent No.:** **US D580,739 S**

(45) **Date of Patent:** **** Nov. 18, 2008**

(54) **ELECTRONIC LOCK HOUSING**

D484,775 S * 1/2004 Hong D8/331
D485,154 S * 1/2004 Chen D8/331

(75) Inventors: **Daniel Pelletier**, Granby (CA); **Suzanne Léger**, Granby (CA)

* cited by examiner

(73) Assignee: **Artopex Inc**, Granby (CA)

Primary Examiner—Prabhakar Deshmukh
(74) *Attorney, Agent, or Firm*—Darby & Darby PC

(**) Term: **14 Years**

(57) **CLAIM**

(21) Appl. No.: **29/296,739**

The ornamental design for an electronic lock housing, as shown and described.

(22) Filed: **Oct. 26, 2007**

(51) **LOC (8) Cl.** **08-07**

DESCRIPTION

(52) **U.S. Cl.** **D8/331; D8/330**

(58) **Field of Classification Search** D8/330,
D8/331, 336, 338, 339, 340, 343; 70/14,
70/2, 51, 57, 57.1, 91, 107, 141; 292/2, 32,
292/137, 288, 289, 290, 292

FIG. 1 is a perspective elevation view of the electronic lock housing;

FIG. 2 is another perspective elevation view of the electronic lock housing of FIG. 1;

FIG. 3 is a front view of the electronic lock housing of FIG. 1;

FIG. 4 is a top view of the electronic lock housing of FIG. 1;

FIG. 5 is a right side view of the electronic lock housing of FIG. 1; and,

See application file for complete search history.

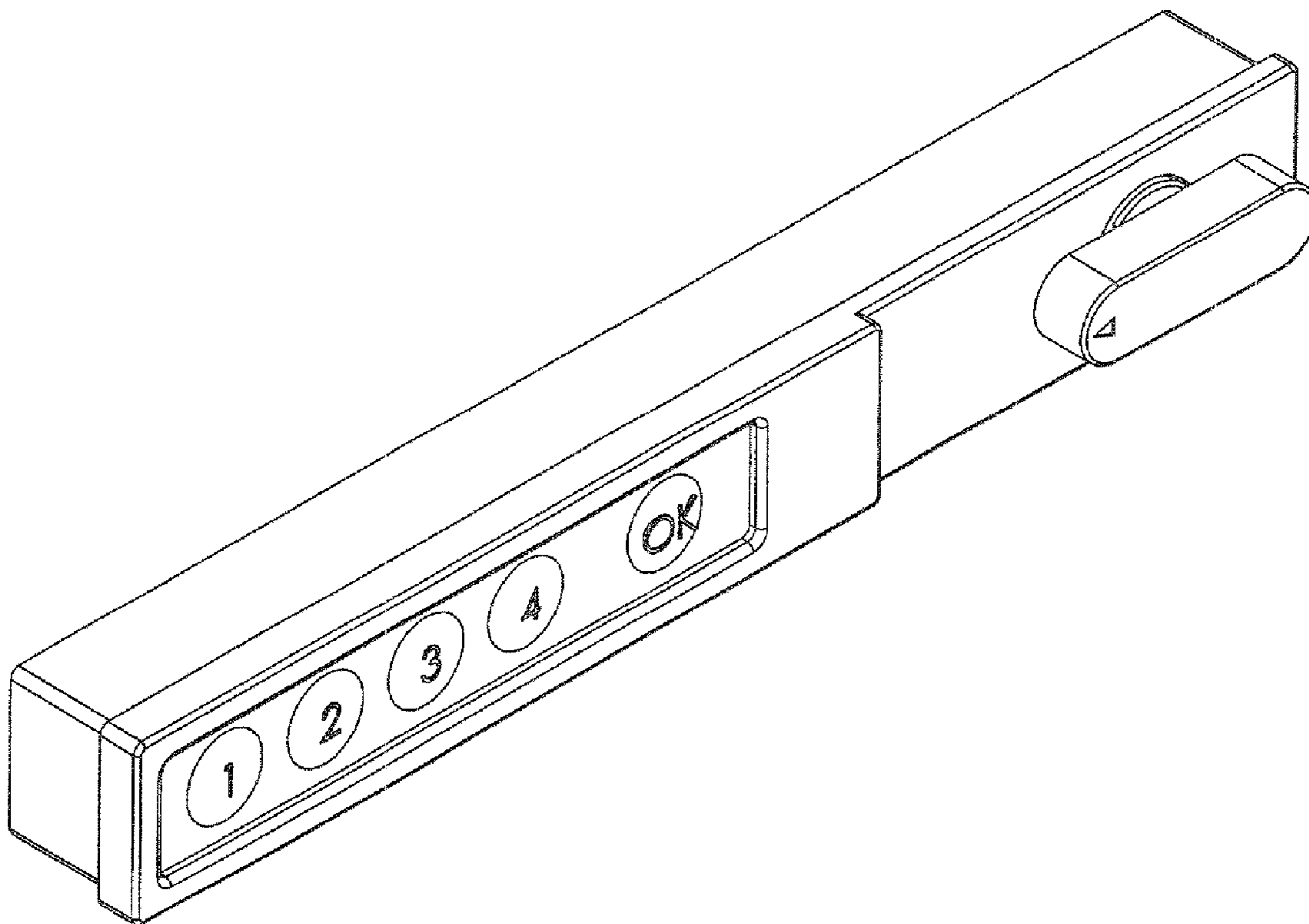
(56) **References Cited**

U.S. PATENT DOCUMENTS

3,555,860	A *	1/1971	Atkinson	70/312
D250,390	S *	11/1978	Miller et al.	D8/339
D267,698	S *	1/1983	Domes	D8/341
4,921,063	A *	5/1990	Masuda	180/178
5,352,001	A *	10/1994	Shieh	292/57
D452,810	S *	1/2002	Anderson	D8/339
D455,063	S *	4/2002	Anderson	D8/339
D461,112	S *	8/2002	Henley	D8/341

FIG. 6 is a perspective view of the electronic lock housing of FIG. 1, shown in its environmental use, the housing being mounted on furniture. The broken lines showing of furniture is for illustrative purpose only and forms no part of the claimed design.

1 Claim, 4 Drawing Sheets



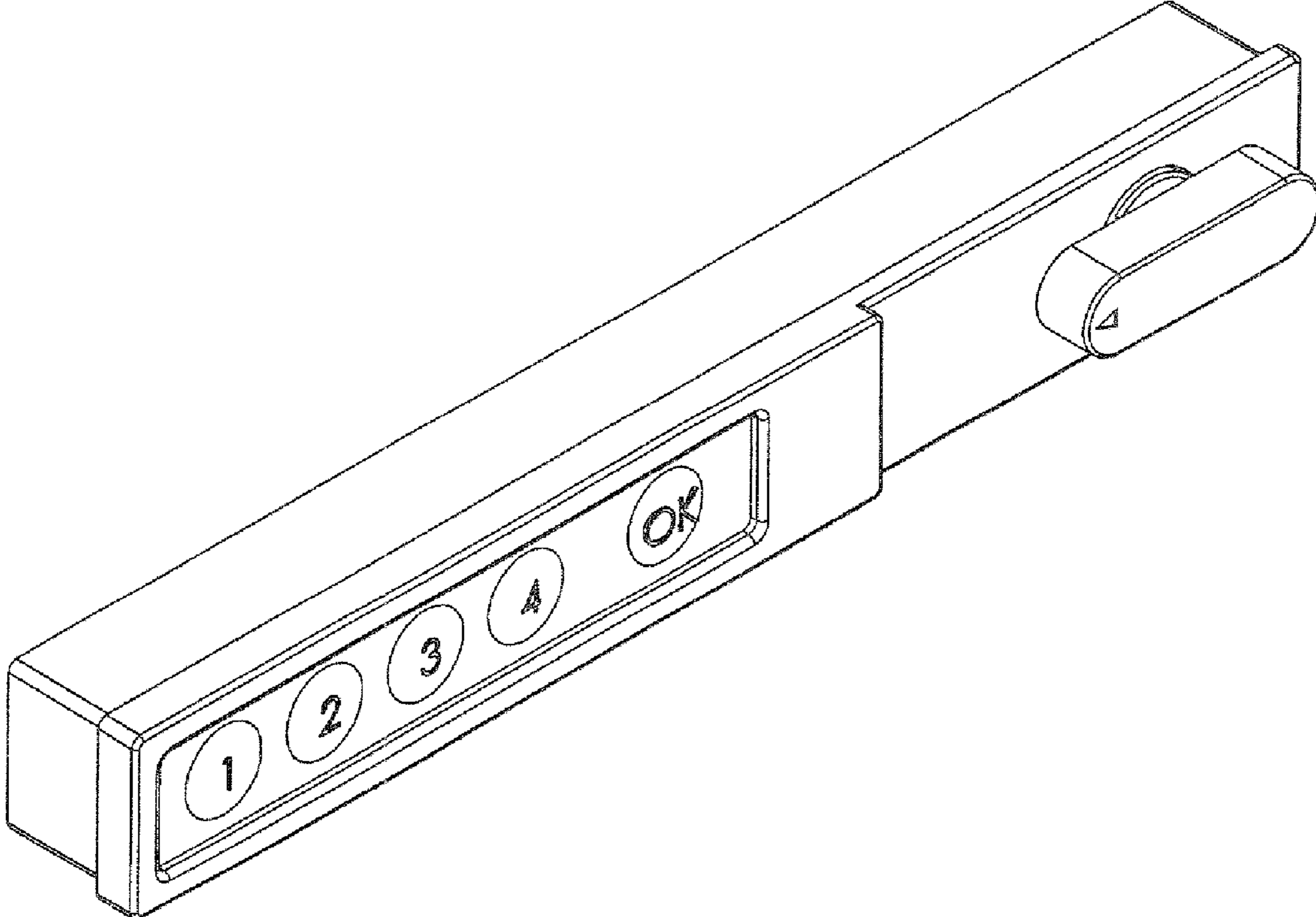


FIG. 1

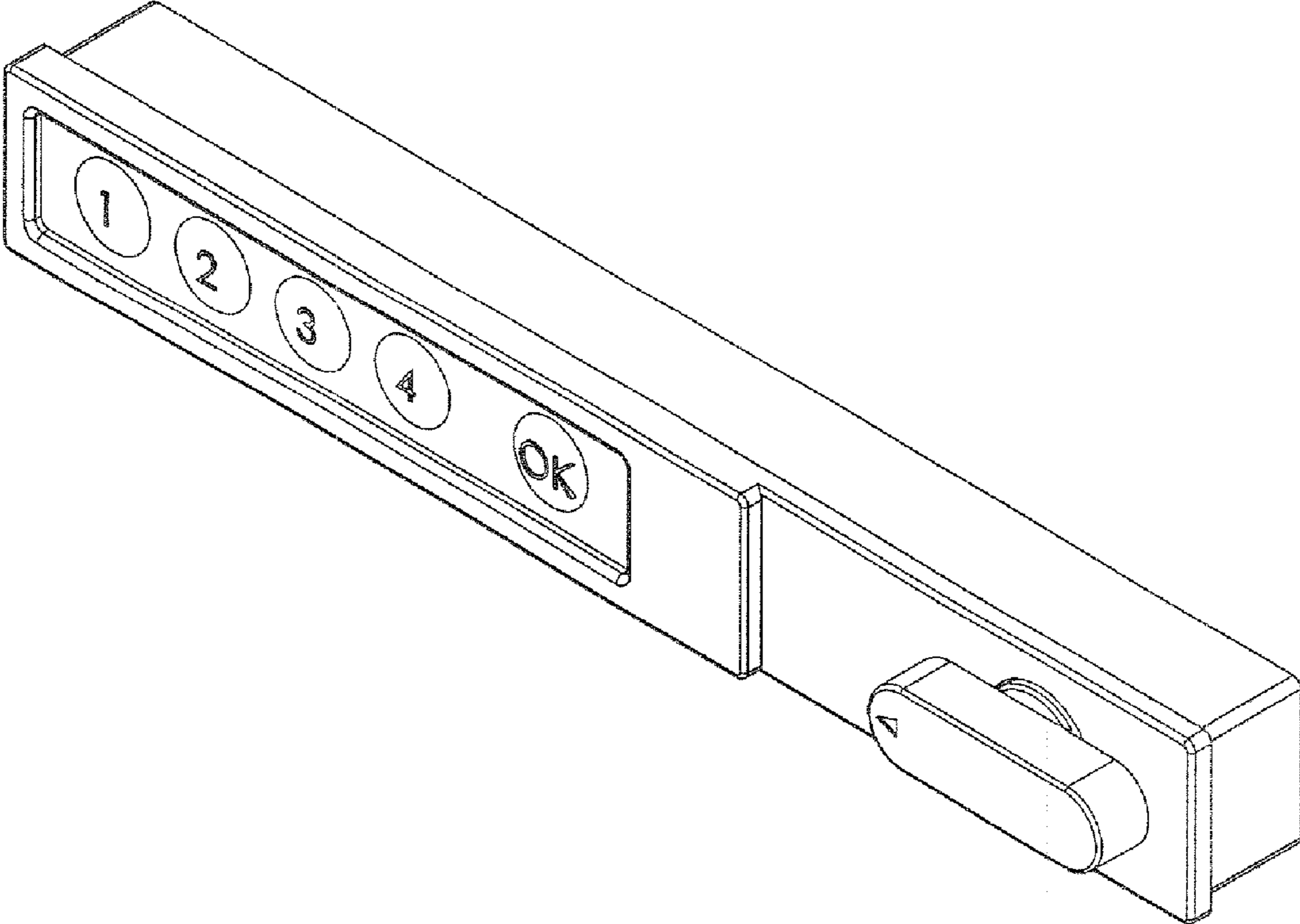


FIG. 2

FIG. 4

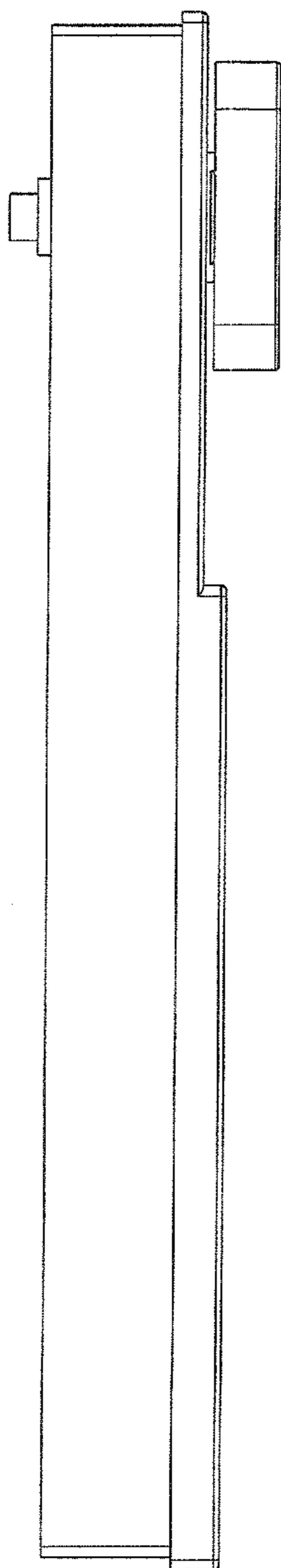


FIG. 5

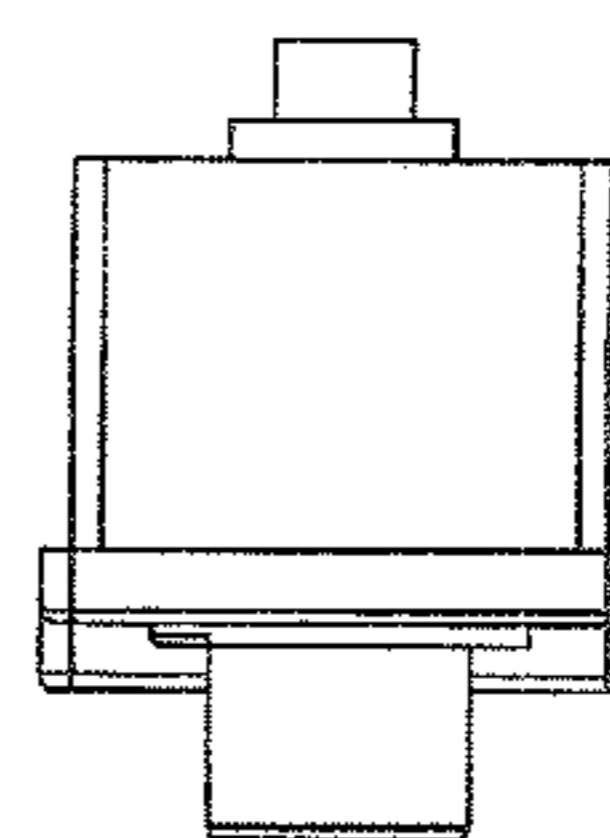
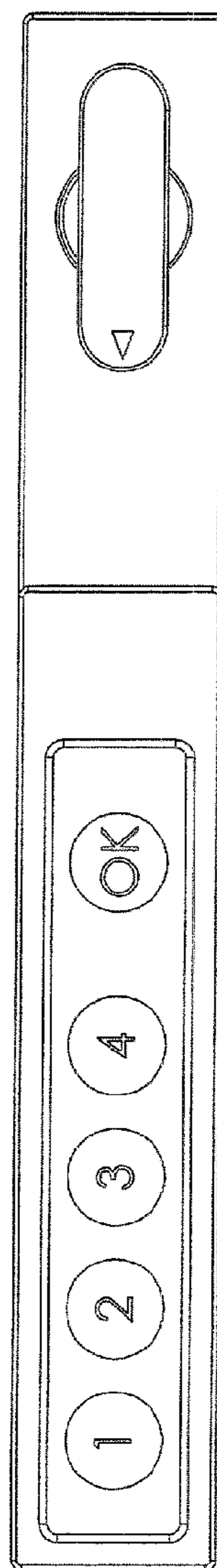


FIG. 3



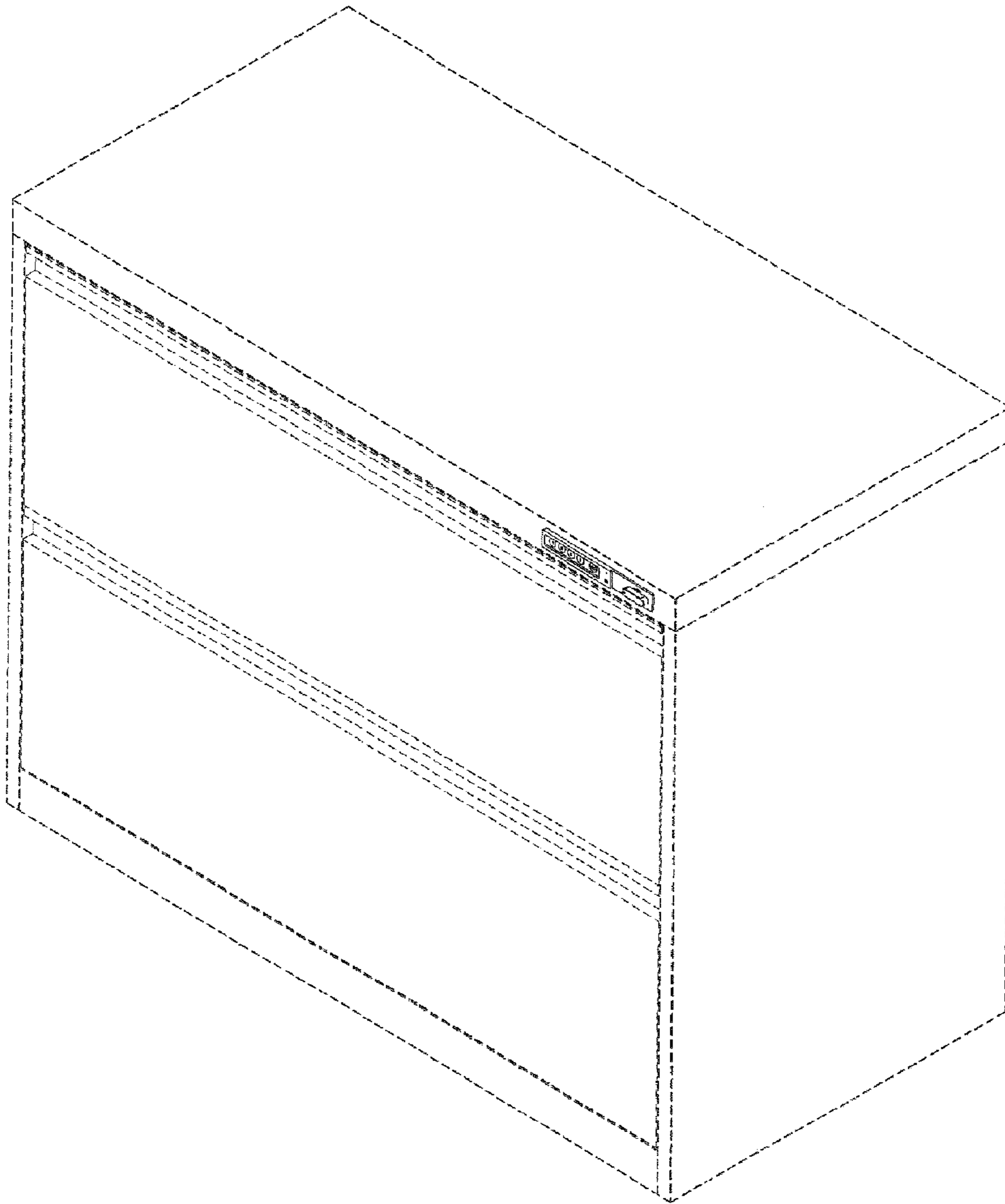


FIG. 6