



US00D580737S

(12) **United States Design Patent**  
**Singtoroj**

(10) **Patent No.:** **US D580,737 S**

(45) **Date of Patent:** **\*\* Nov. 18, 2008**

(54) **DOOR KNOB**

(75) Inventor: **Yos Singtoroj**, Anaheim, CA (US)

(73) Assignee: **Newfrey LLC**, Newark, DE (US)

(\*\*) Term: **14 Years**

(21) Appl. No.: **29/292,358**

(22) Filed: **Oct. 10, 2007**

(51) **LOC (8) Cl.** ..... **08-06**

(52) **U.S. Cl.** ..... **D8/312**

(58) **Field of Classification Search** ..... D8/300–303,  
D8/305–321, DIG. 1, DIG. 2, DIG. 10; D7/393,  
D7/394, 405; D3/318; D6/549, 524, 533,  
D6/550; D23/250–254, 303, 305; D15/89;  
292/347, 336.3; 211/16, 182; 220/752–754;  
16/441, 118, 110 R, 111 R, DIG. 19, DIG. 30,  
16/110.1, 412, 414–420, 443–446  
See application file for complete search history.

(56) **References Cited**

**U.S. PATENT DOCUMENTS**

D15,754 S *	1/1885	Russell, Jr.	.....	D8/312
D20,555 S *	3/1891	Schmidt	.....	D3/12
D22,755 S *	8/1893	Russell	.....	D8/305
D106,677 S *	10/1937	Schlage	.....	D8/312
D169,551 S *	5/1953	Kendrick	.....	D8/312
D257,216 S *	10/1980	Withers et al.	.....	D8/310

D257,217 S *	10/1980	Withers et al.	.....	D8/310
D301,681 S *	6/1989	Jans	.....	D8/312
D348,602 S *	7/1994	Carsello	.....	D8/310
D384,572 S *	10/1997	Ongaro	.....	D8/312
D468,187 S *	1/2003	Corcoran et al.	.....	D8/312
D496,894 S *	10/2004	Liao	.....	D12/179
D542,115 S *	5/2007	Hanna et al.	.....	D8/310
D546,658 S *	7/2007	Singtoroj	.....	D8/301

\* cited by examiner

*Primary Examiner*—Stella M. Reid

*Assistant Examiner*—Mark A Goodwin

(74) *Attorney, Agent, or Firm*—Ober/Kaler; Royal W. Craig

(57) **CLAIM**

The ornamental design for a door knob, as shown and described.

**DESCRIPTION**

FIG. 1 is a side perspective view of a door knob according to my new design.

FIG. 2 is an enlarged front view thereof.

FIG. 3 is an enlarged back view thereof.

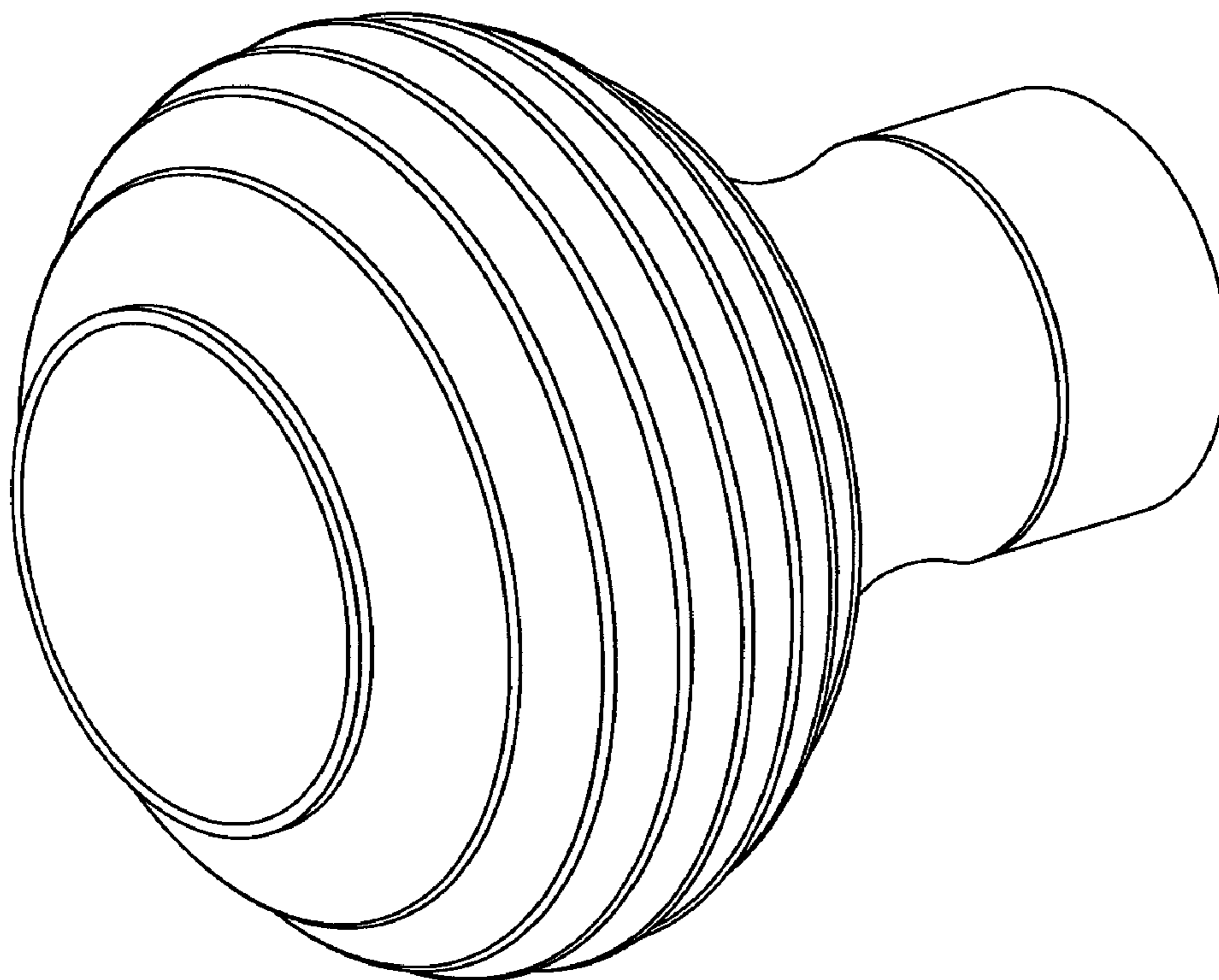
FIG. 4 is an enlarged top view thereof.

FIG. 5 is an enlarged bottom view thereof.

FIG. 6 is a reduced end view thereof; and,

FIG. 7 is a reduced opposite end view thereof.

**1 Claim, 4 Drawing Sheets**



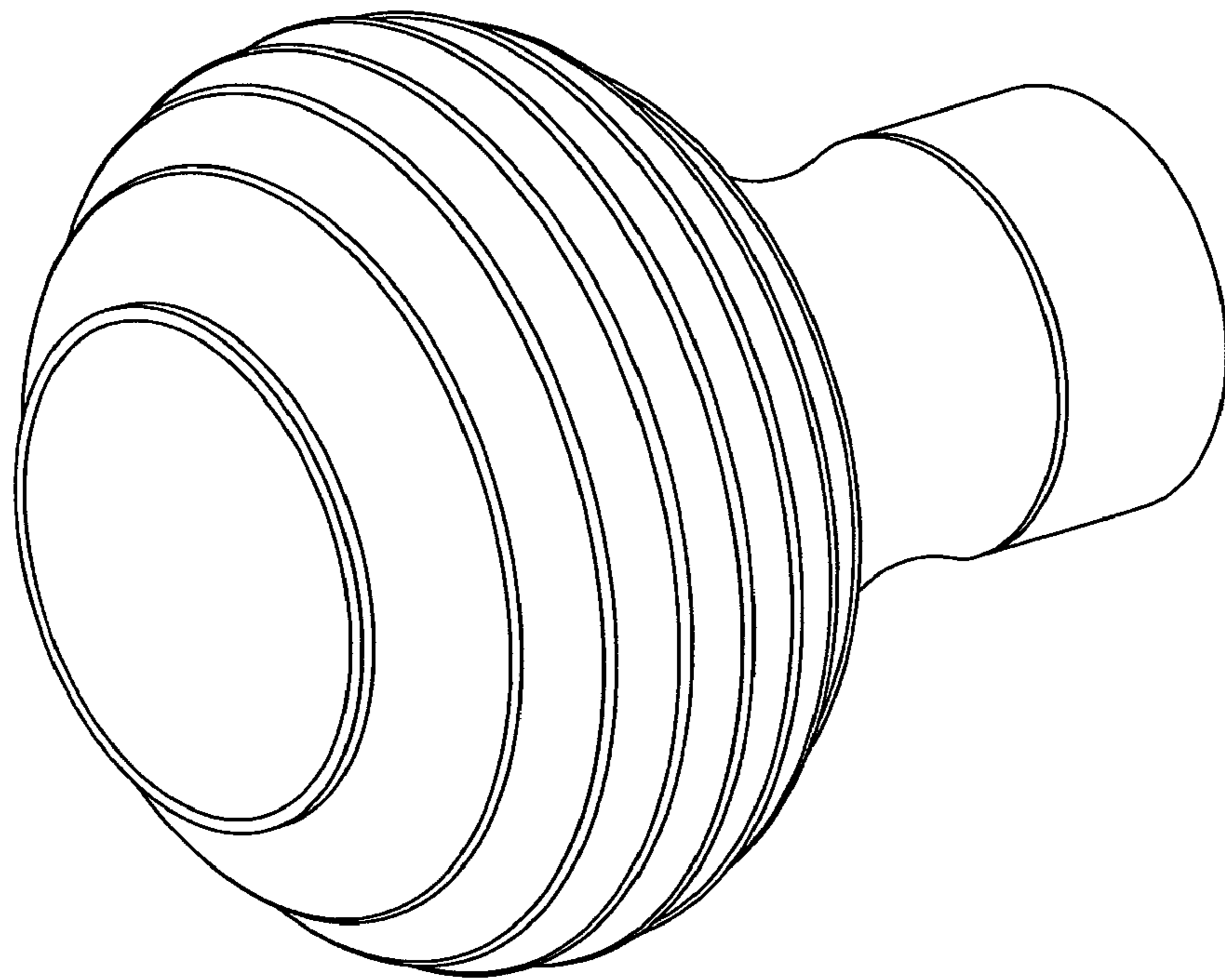


Fig. 1

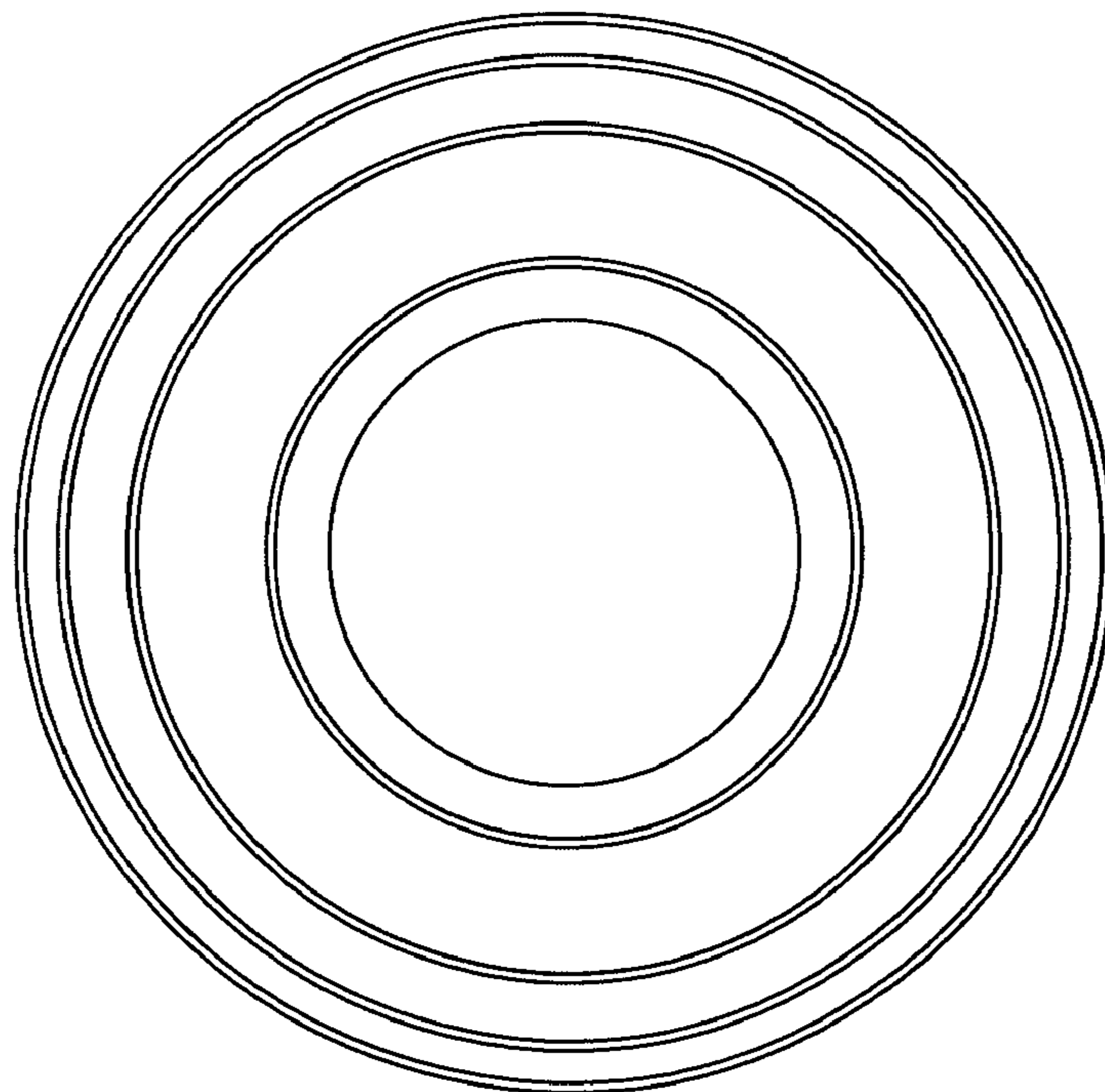


Fig. 2

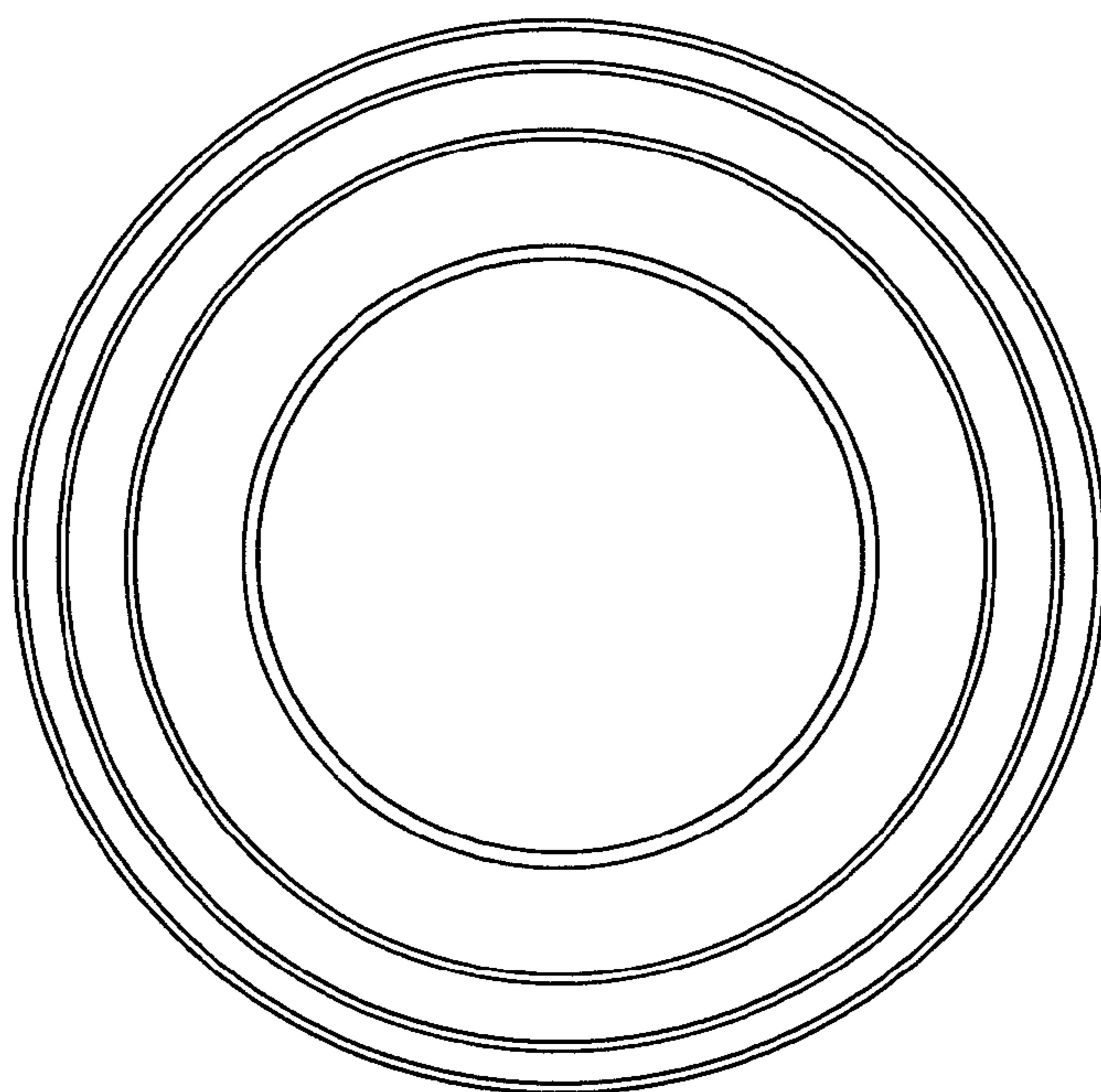


Fig. 3

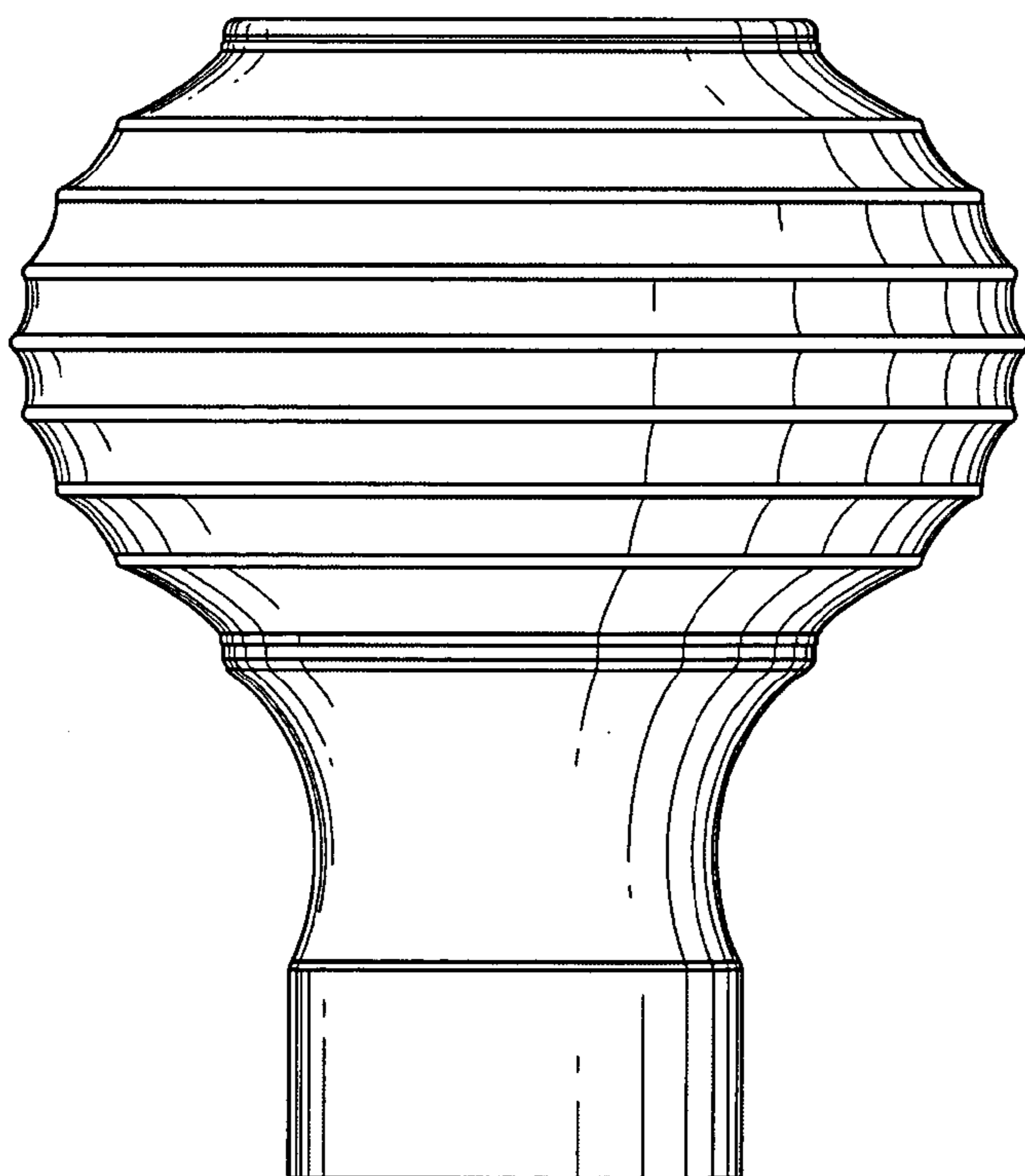


Fig. 4

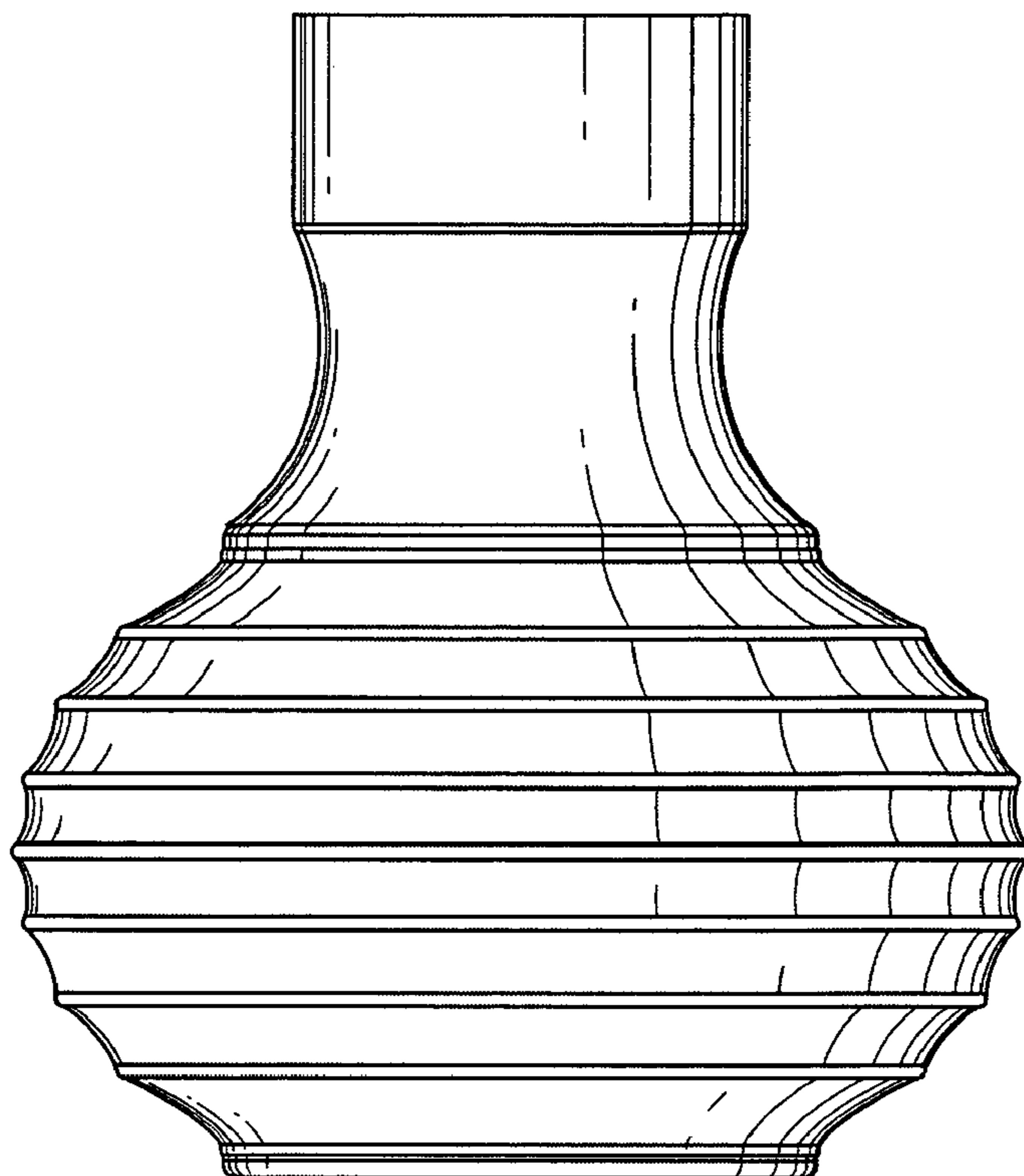


Fig. 5

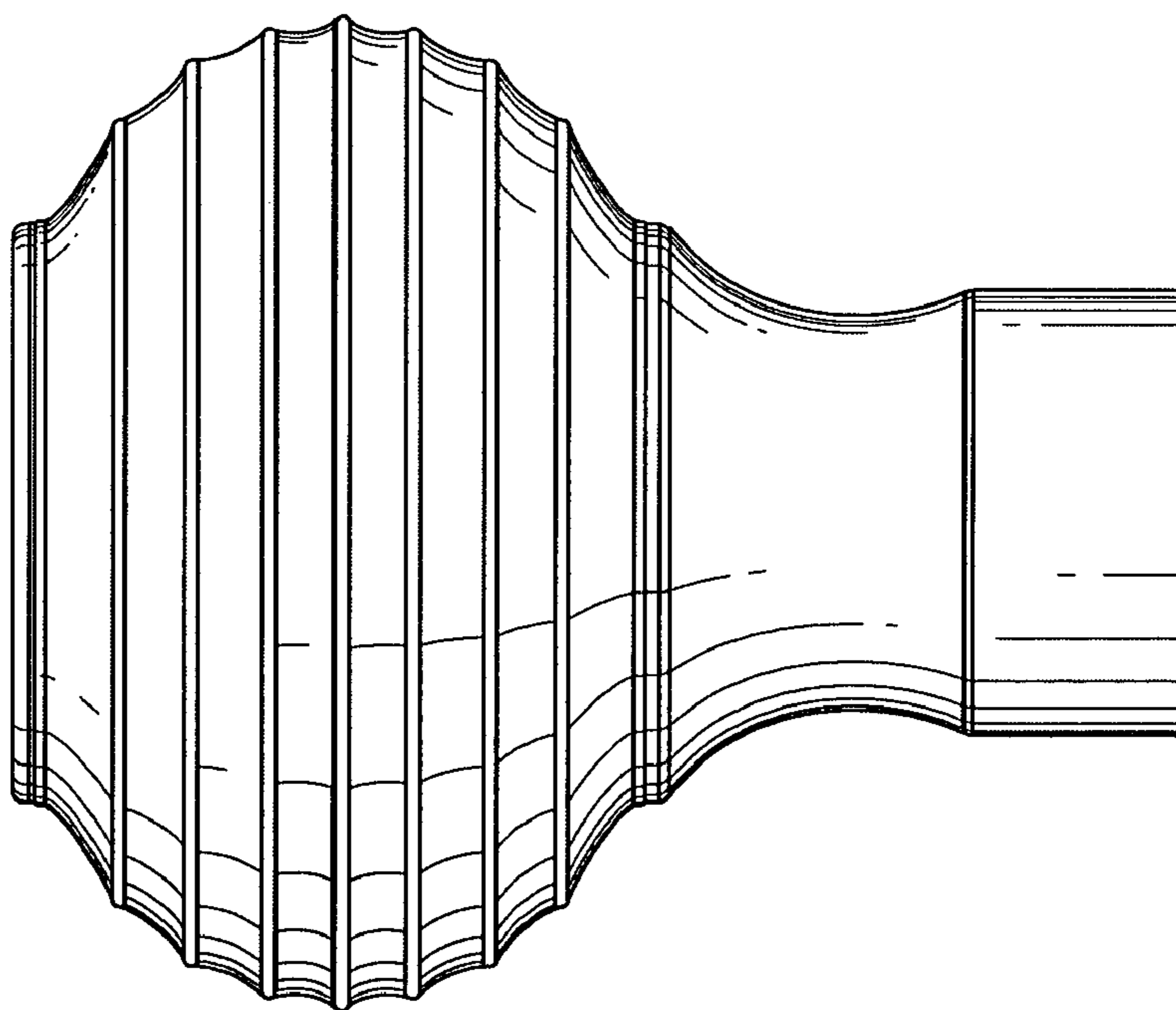


Fig. 6

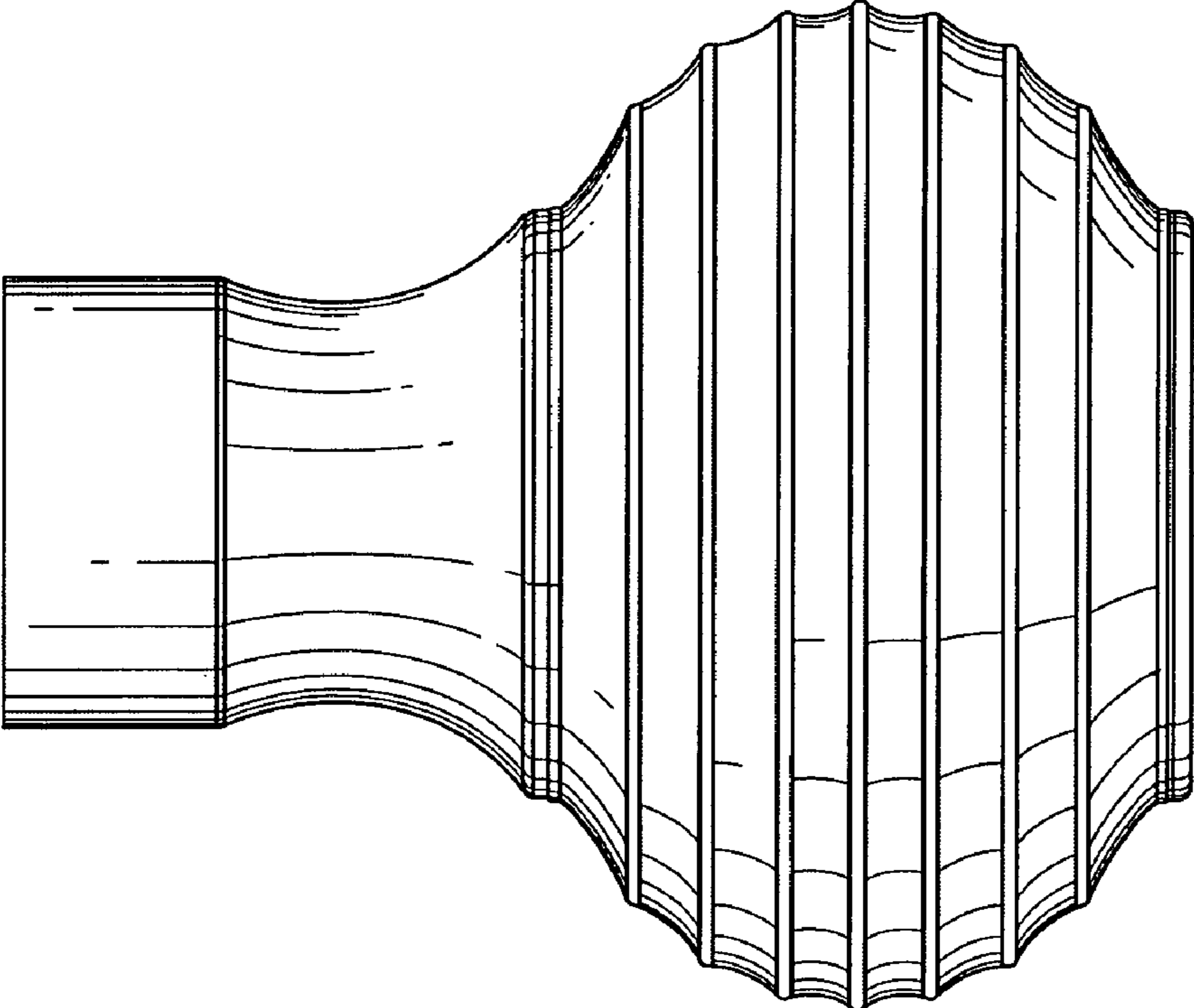


Fig. 7