



US00D580736S

(12) **United States Design Patent**
Matijevic

(10) **Patent No.:** **US D580,736 S**

(45) **Date of Patent:** **** Nov. 18, 2008**

(54) **FURNITURE KNOB**

(75) Inventor: **Zoran Matijevic**, Birmingham (GB)

(73) Assignee: **Crofts & Assinder Limited**,
Birmingham (GB)

(**) Term: **14 Years**

(21) Appl. No.: **29/291,147**

(22) Filed: **Aug. 15, 2007**

(30) **Foreign Application Priority Data**

May 4, 2007 (EP) 000719281

(51) **LOC (8) Cl.** **08-06**

(52) **U.S. Cl.** **D8/310; D8/305**

(58) **Field of Classification Search** D8/300-303,
D8/305-321, DIG. 1, DIG. 2, DIG. 10; D7/393,
D7/394, 405; D3/318; D6/549, 524, 533,
D6/550; D23/250-254, 303, 305; D15/89;
292/347, 336.3; 211/16, 182; 220/752-754;
16/441, 118, 110 R, 111 R, DIG. 19, DIG. 30,
16/110.1, 412, 414-420, 443-446
See application file for complete search history.

(56) **References Cited**

U.S. PATENT DOCUMENTS

D16,515 S *	2/1886	Hall	D8/312
D20,555 S *	3/1891	Schmidt	D3/12
D22,755 S *	8/1893	Russell	D8/305
D47,068 S *	3/1915	Burns	D8/307
D179,539 S *	1/1957	Hillgren	D8/310
D198,522 S *	6/1964	Clayton	D8/305
D207,482 S *	4/1967	Carsello	D8/310
D211,778 S *	7/1968	Stone	D8/305
D222,873 S *	1/1972	Palson	D8/305
D231,318 S *	4/1974	James	D8/312
D232,621 S *	9/1974	Zagaroll	D8/310
D301,681 S *	6/1989	Jans	D8/312

D355,834 S *	2/1995	Chieda	D8/305
D355,837 S *	2/1995	Chieda	D8/310
D355,838 S *	2/1995	Chieda	D8/312
D361,257 S *	8/1995	Chieda	D8/312
D368,639 S *	4/1996	Chieda	D8/310
D368,640 S *	4/1996	Sonnenleiter	D8/310
D372,658 S *	8/1996	Decursu et al.	D8/312
D380,134 S *	6/1997	Caugh et al.	D8/305
D392,174 S *	3/1998	Zeiss	D8/305
D408,707 S *	4/1999	O'Hare	D8/305
D415,405 S *	10/1999	O'Neil	D8/305
D415,947 S *	11/1999	May	D8/305
D472,448 S *	4/2003	Fields	D8/310
D474,672 S *	5/2003	Fields	D8/310
D479,790 S *	9/2003	Dewald et al.	D8/310
D496,894 S *	10/2004	Liao	D12/179
D541,130 S *	4/2007	Fields	D8/310

* cited by examiner

Primary Examiner—Stella M. Reid

Assistant Examiner—Mark A Goodwin

(74) *Attorney, Agent, or Firm*—Chernoff, Vilhauer, McClung & Stenzel, LLP

(57) **CLAIM**

The ornamental design for a furniture knob, as shown and described.

DESCRIPTION

FIG. 1 is a top plan view of a furniture knob showing my new design;

FIG. 2 is a left side view thereof;

FIG. 3 is a front elevation view thereof;

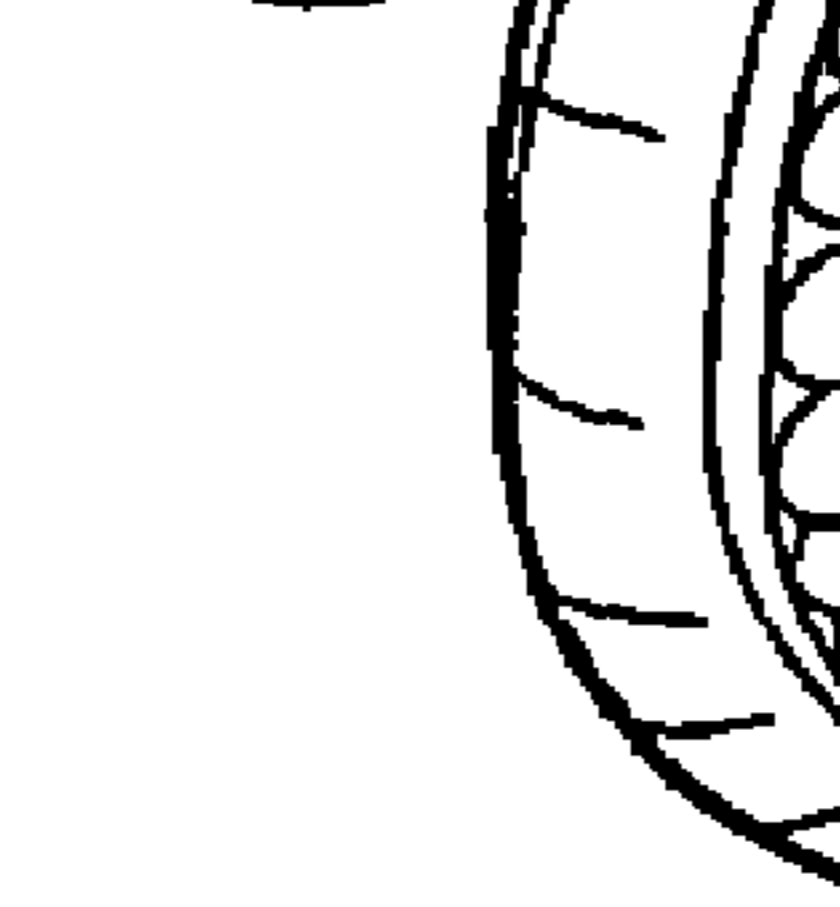
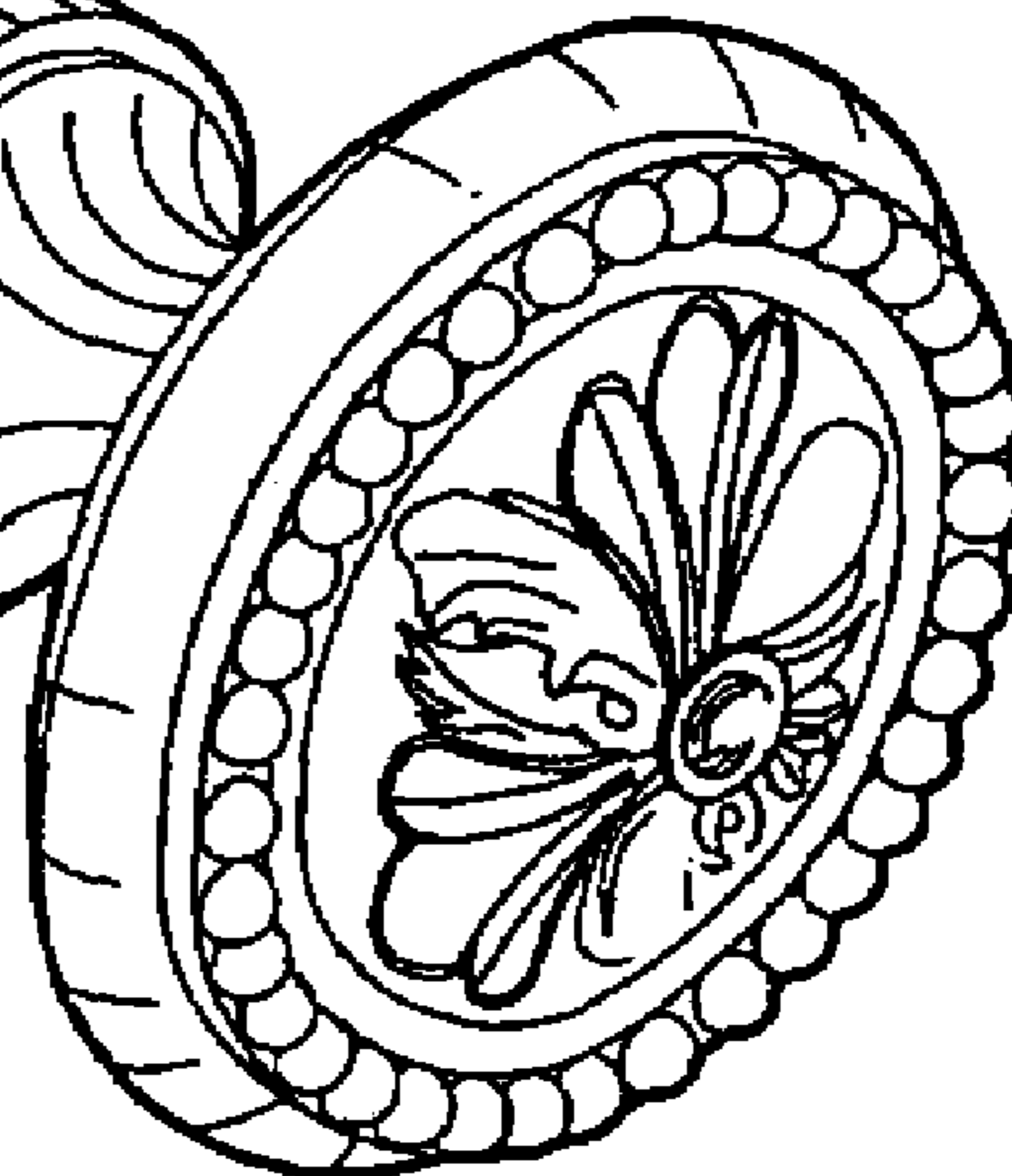
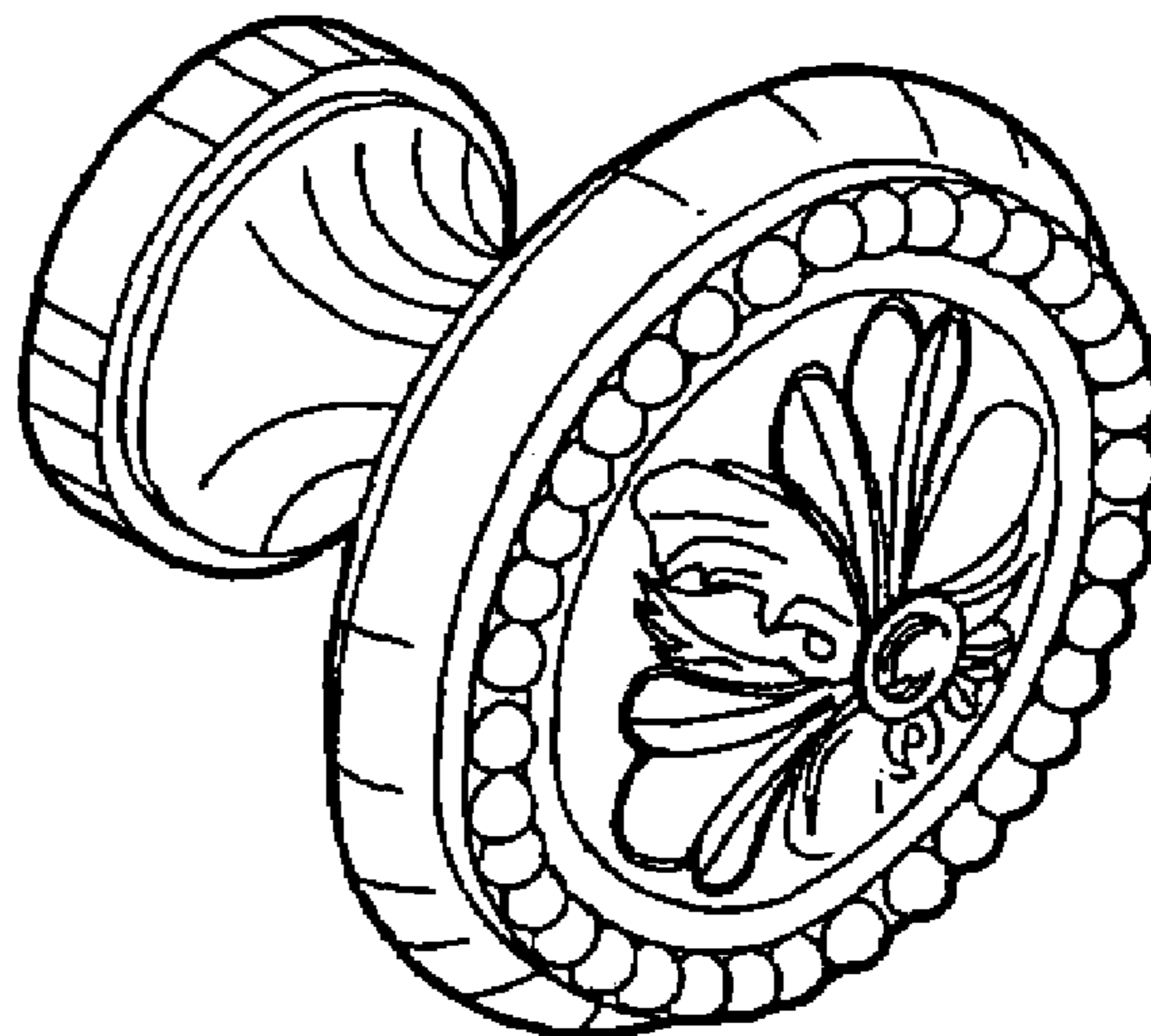
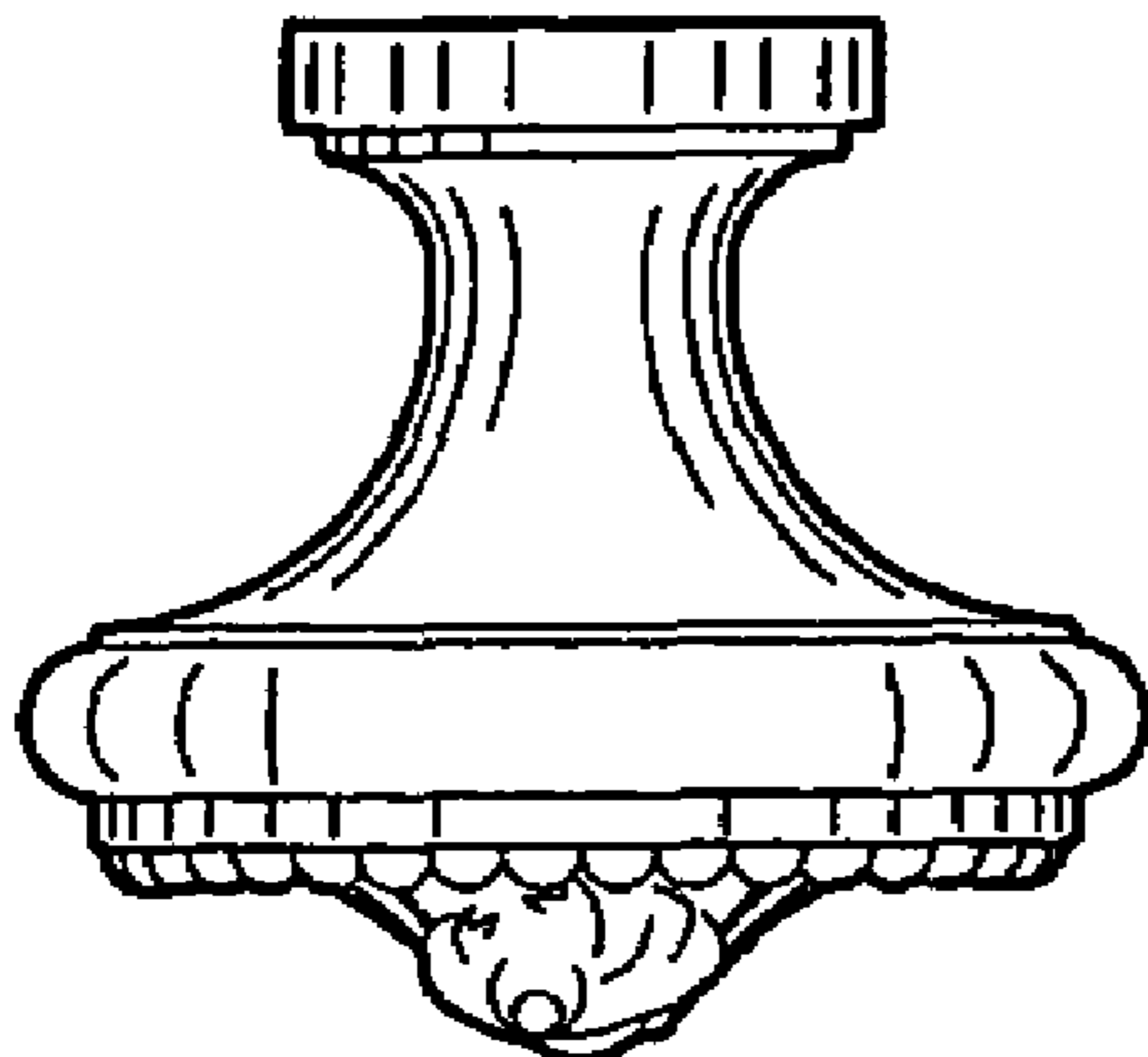
FIG. 4 is a right side view thereof;

FIG. 5 is a bottom plan view thereof;

FIG. 6 is a back elevation view thereof; and,

FIG. 7 is a perspective view thereof.

1 Claim, 1 Drawing Sheet



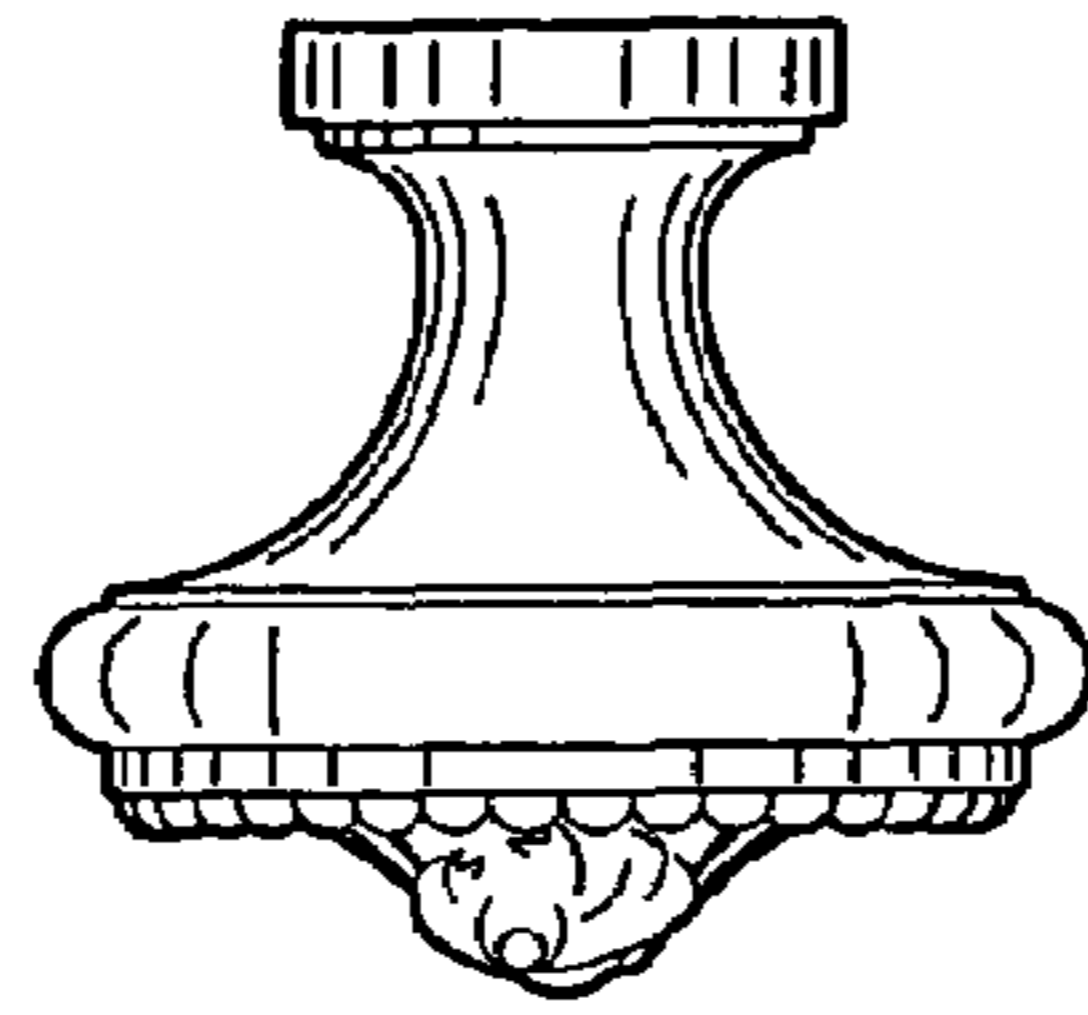


FIG. 1

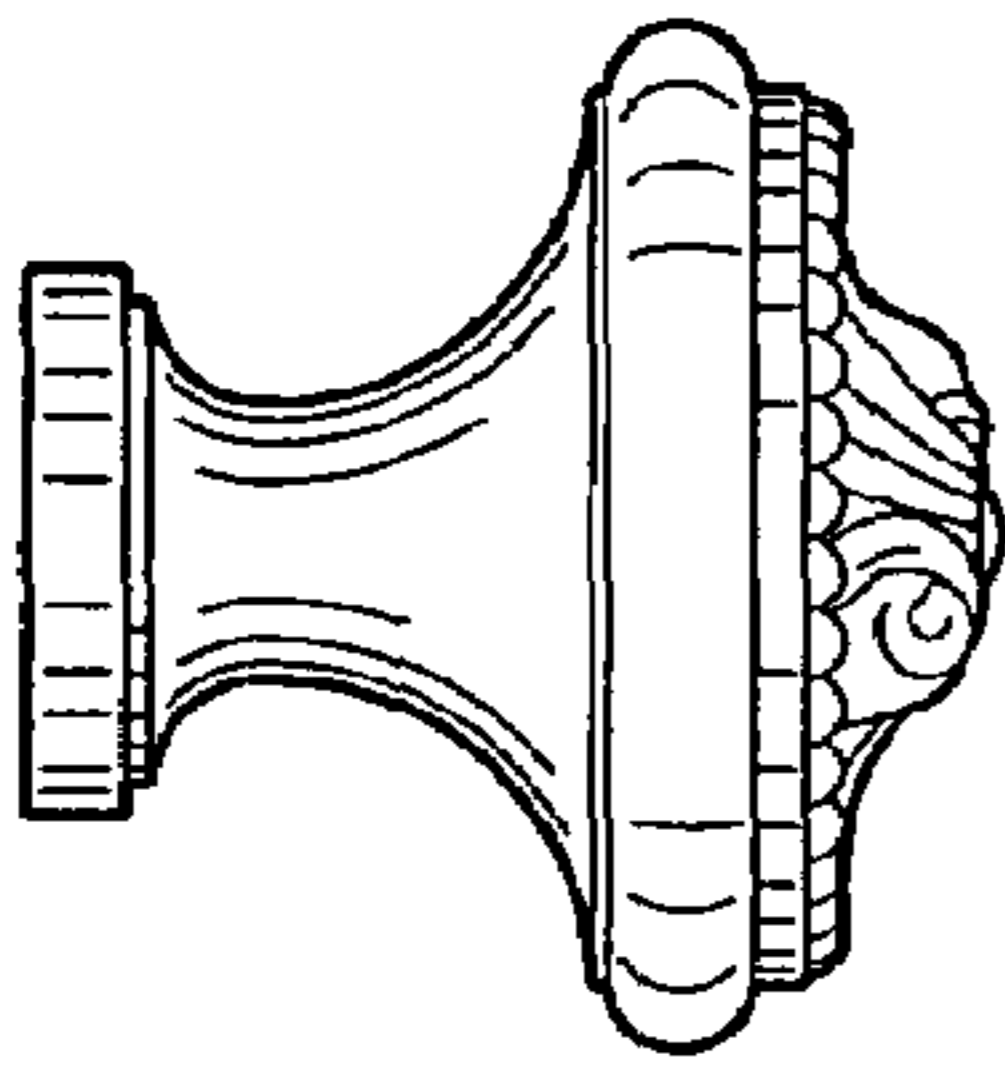


FIG. 2

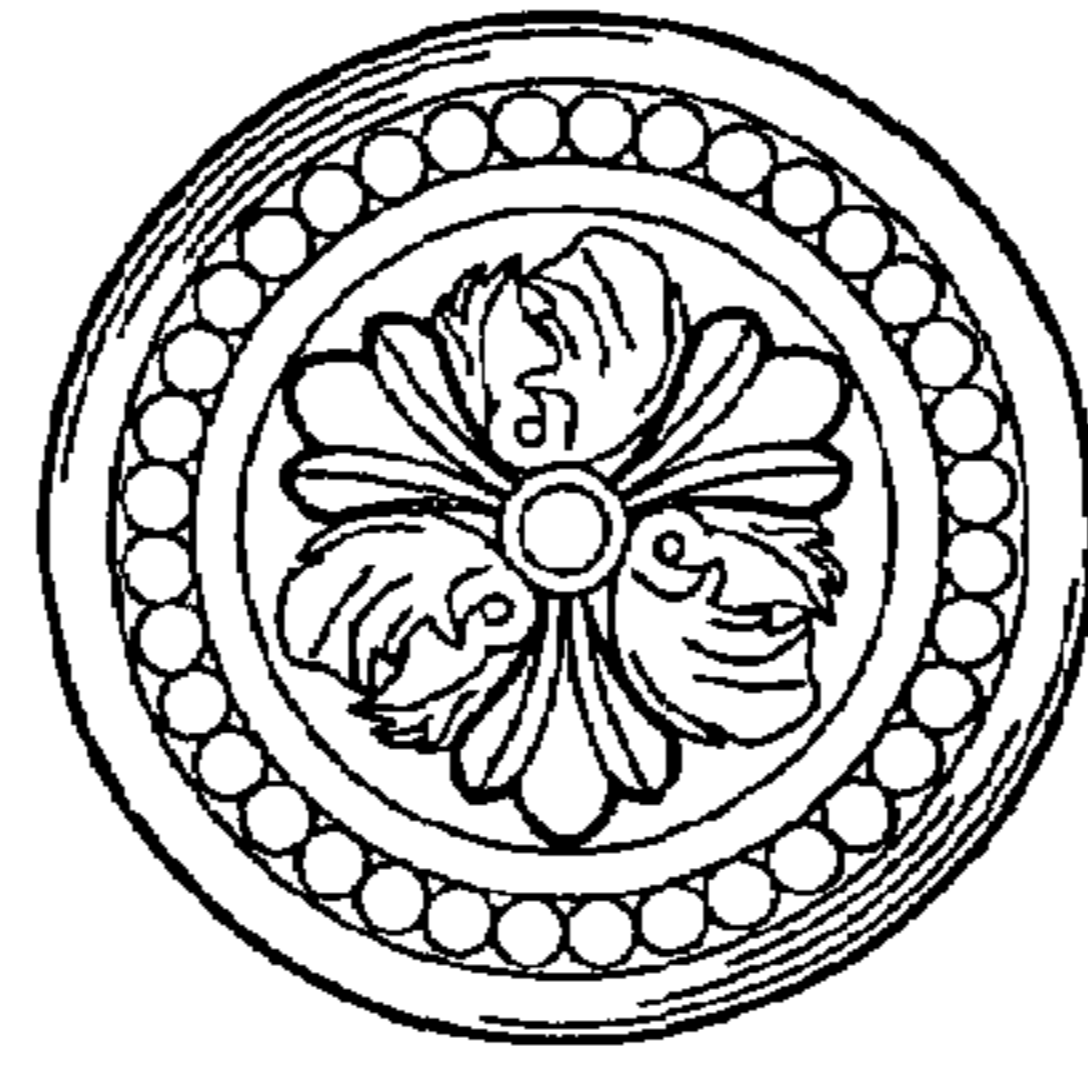


FIG. 3

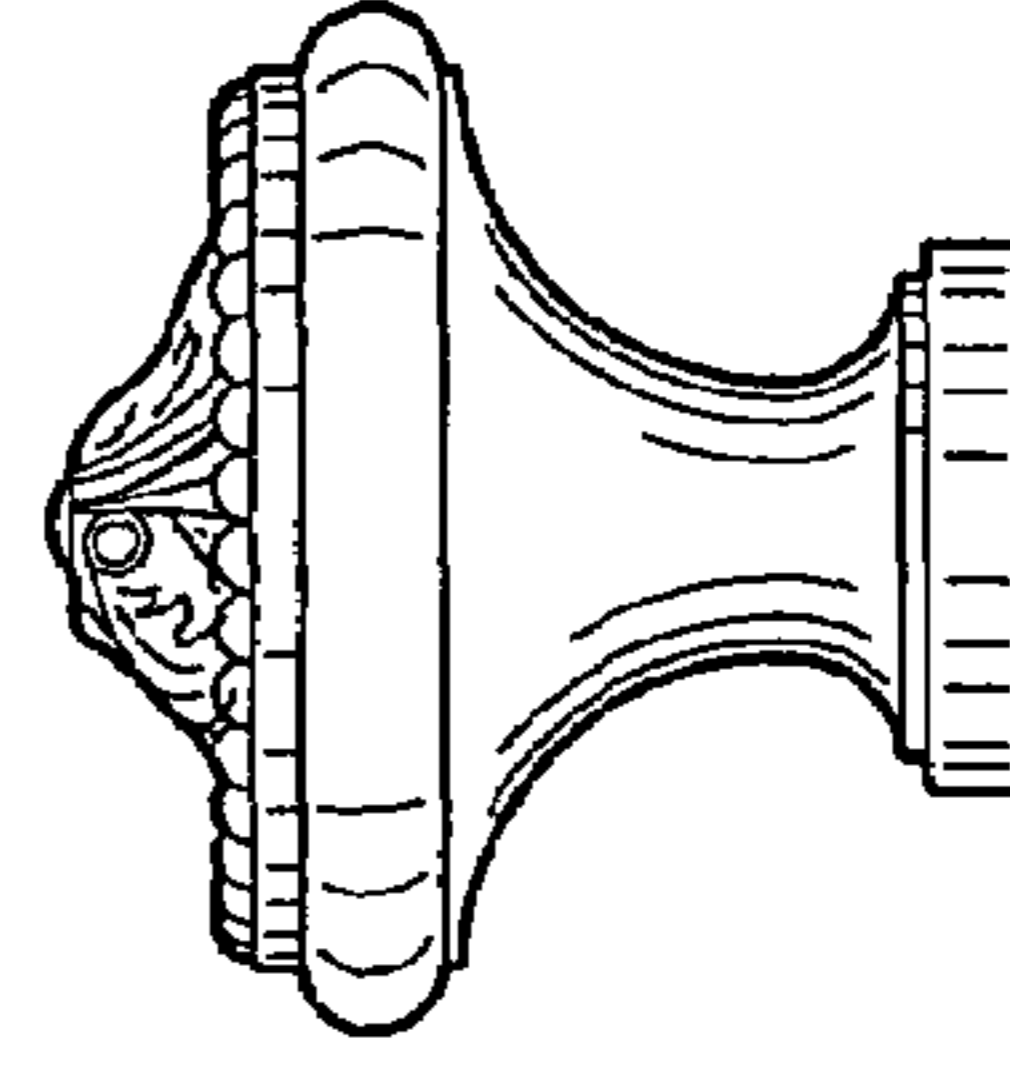


FIG. 4

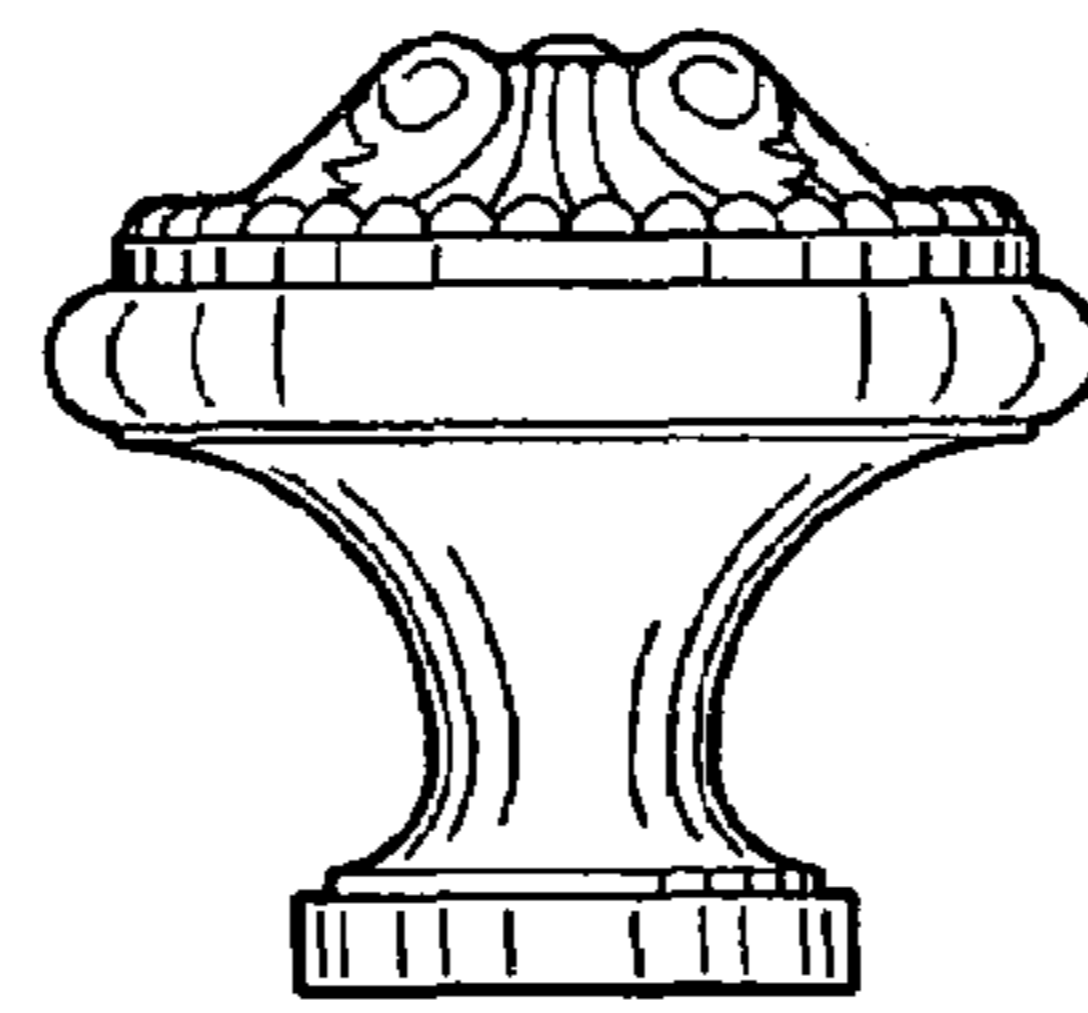


FIG. 5

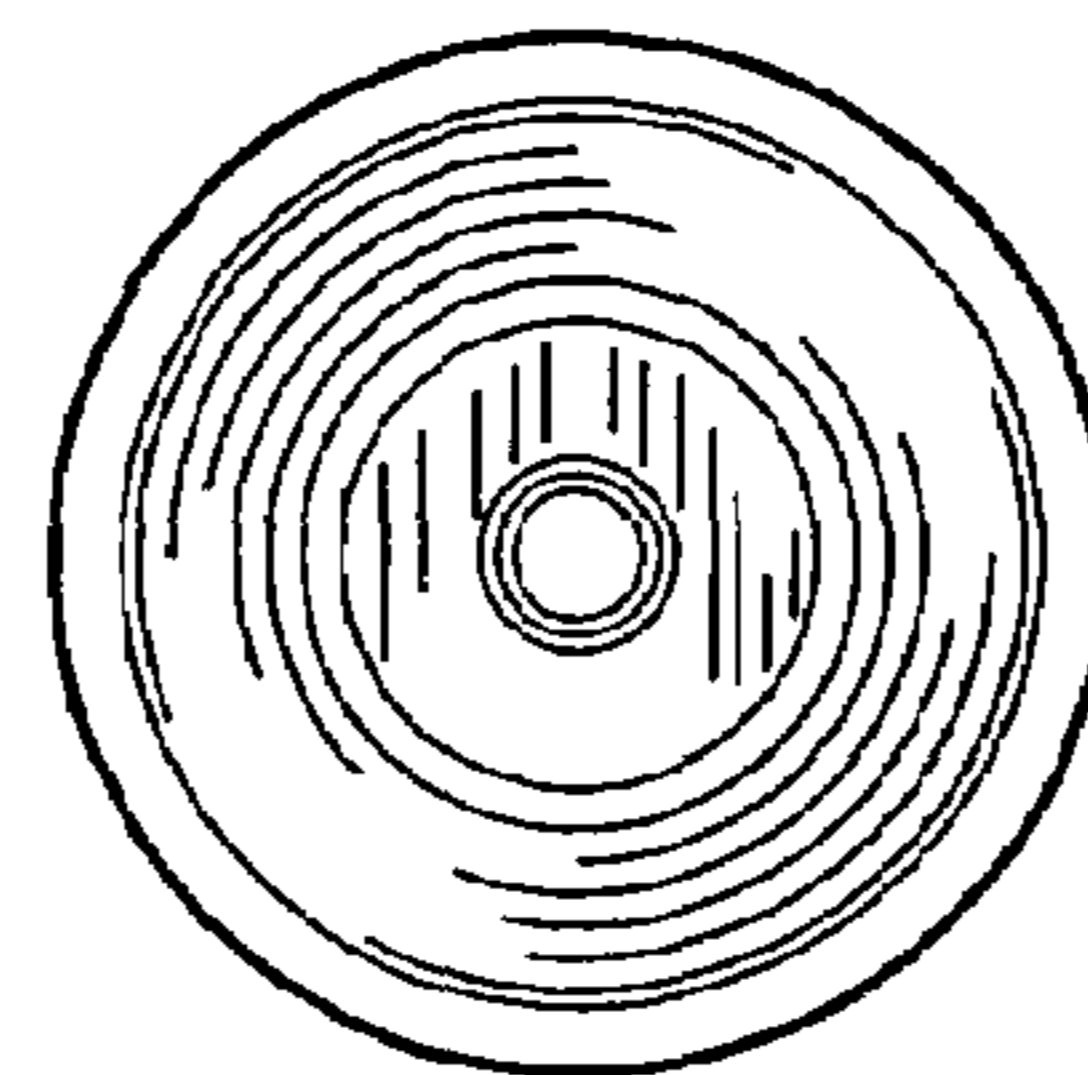


FIG. 6

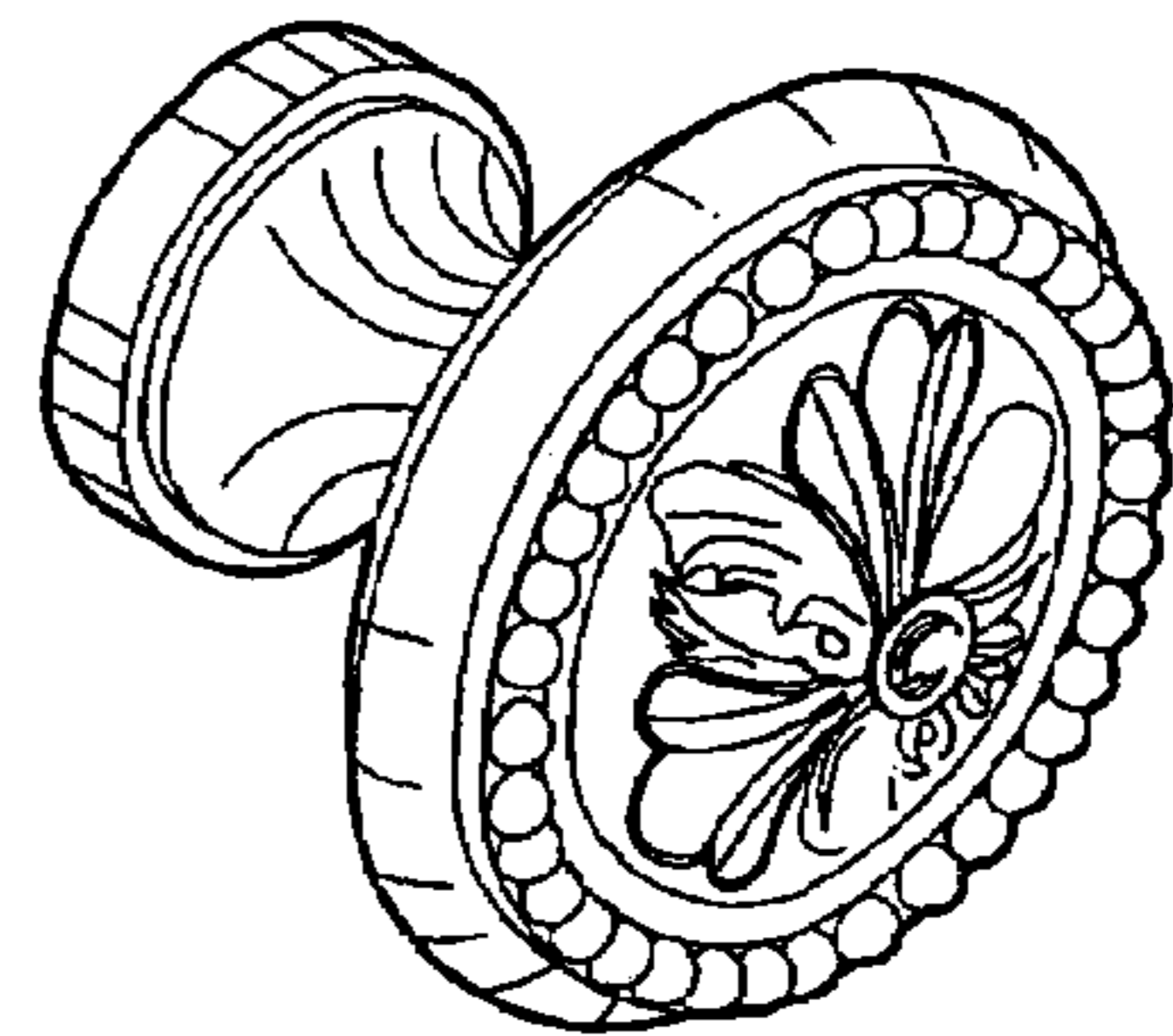


FIG. 7