



US00D580734S

(12) **United States Design Patent**
Martin

(10) **Patent No.:** **US D580,734 S**

(45) **Date of Patent:** **** Nov. 18, 2008**

(54) **KEY GUARD CABINET HANDLE**

D482,600 S * 11/2003 Dretzka D8/367

(75) Inventor: **Frank J. Martin**, Edmonds, WA (US)

* cited by examiner

(73) Assignee: **Olympus Lock, Inc.**, Lynnwood, WA (US)

Primary Examiner—Prabhakar Deshmukh

Assistant Examiner—Derrick Holland

(74) *Attorney, Agent, or Firm*—Black Lowe & Graham PLLC

(**) Term: **14 Years**

(57) **CLAIM**

(21) Appl. No.: **29/289,781**

The ornamental design for a key guard cabinet handle, as shown and described.

(22) Filed: **Jul. 31, 2007**

DESCRIPTION

(51) **LOC (8) Cl.** **08-06**

(52) **U.S. Cl.** **D8/307**

(58) **Field of Classification Search** D8/307,
D8/303, 308, 338, 367, 371–373, 499; D3/328;
248/73, 213, 221.12, 225.11, 225.21, 300,
248/301, 303, 304, 339, 569

See application file for complete search history.

FIG. 1 is a top front perspective view of a key guard cabinet handle showing my new design.

FIG. 2 is an inverted bottom rear perspective view thereof.

FIG. 3 is a rear elevational view thereof.

FIG. 4 is a left side elevational view thereof.

FIG. 5 is an inverted front elevational view thereof.

FIG. 6 is a front elevational view thereof.

FIG. 7 is a top plan view thereof; and,

FIG. 8 is a right side elevational view thereof.

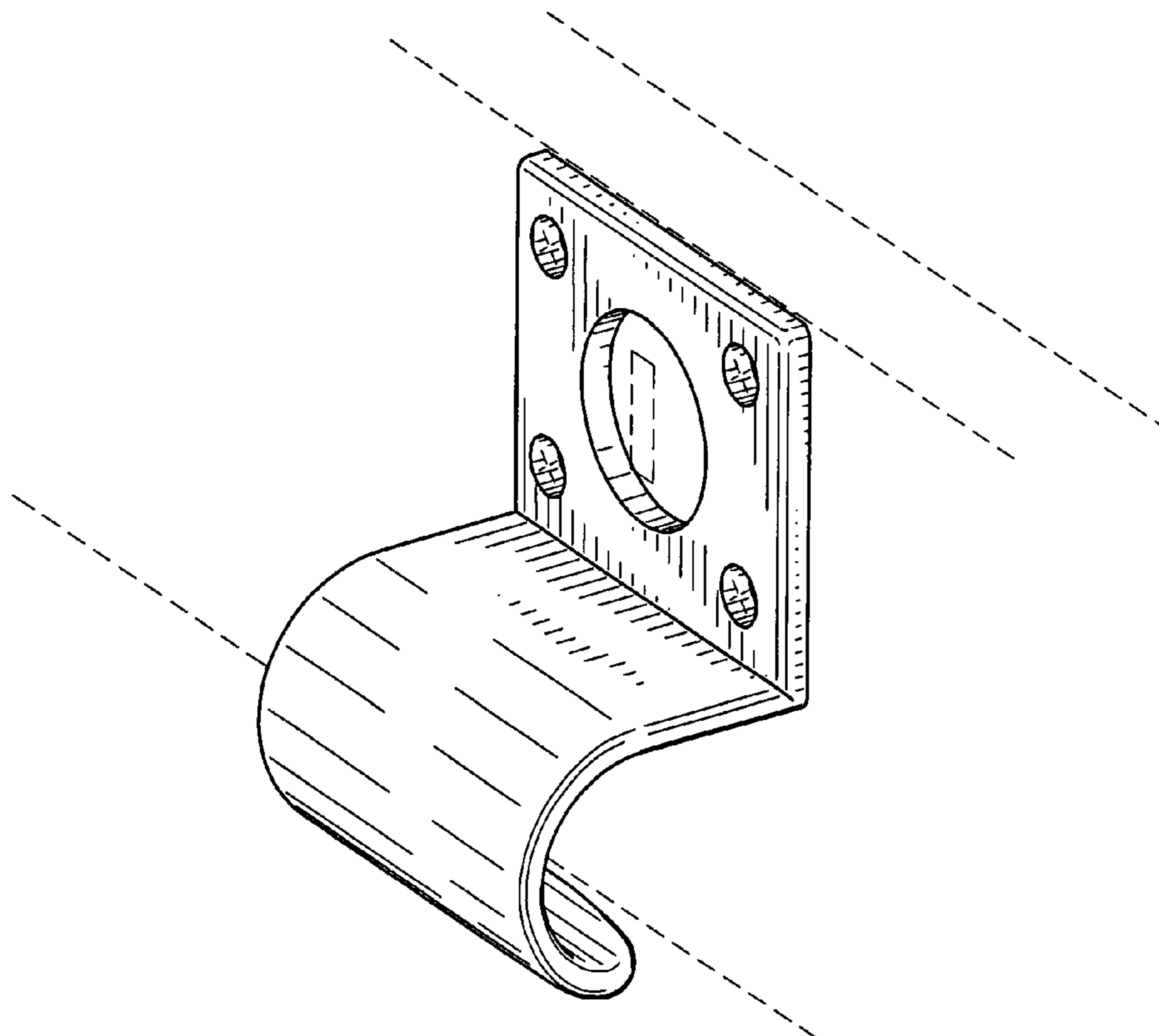
The broken lines of a cabinet drawer showing are for illustrative purposes and form no part of the claimed design.

(56) **References Cited**

U.S. PATENT DOCUMENTS

| | | | | | | |
|-----------|---|---|---------|-----------------|-------|--------|
| 4,039,131 | A | * | 8/1977 | Perrault et al. | | 248/73 |
| D311,484 | S | * | 10/1990 | Sachs | | D8/367 |
| D329,186 | S | * | 9/1992 | Sorensen | | D8/307 |
| D384,571 | S | * | 10/1997 | Edwards | | D8/307 |
| D443,199 | S | * | 6/2001 | Swanson | | D8/373 |
| D443,503 | S | * | 6/2001 | Harvey | | D8/367 |

1 Claim, 3 Drawing Sheets



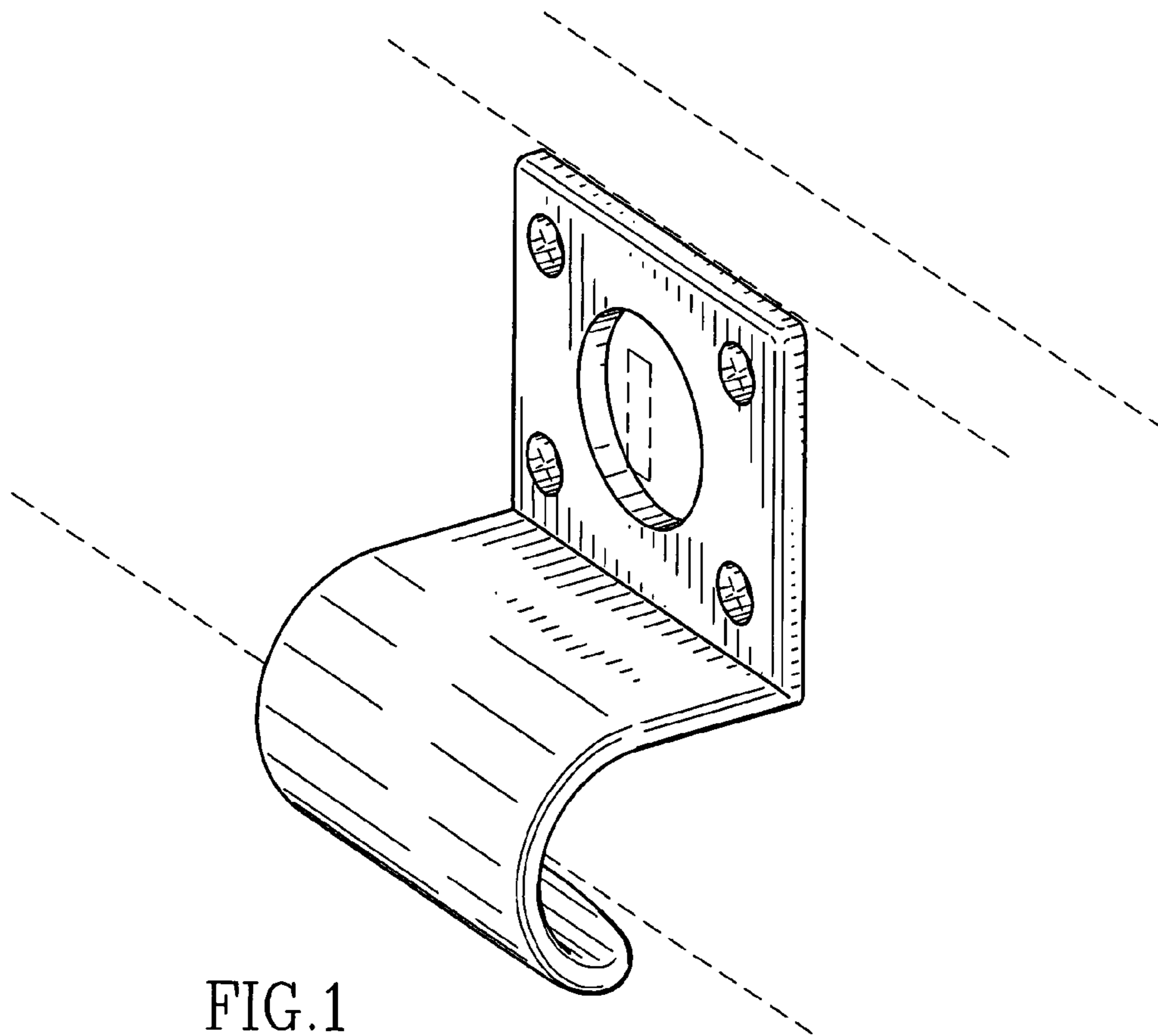


FIG.1

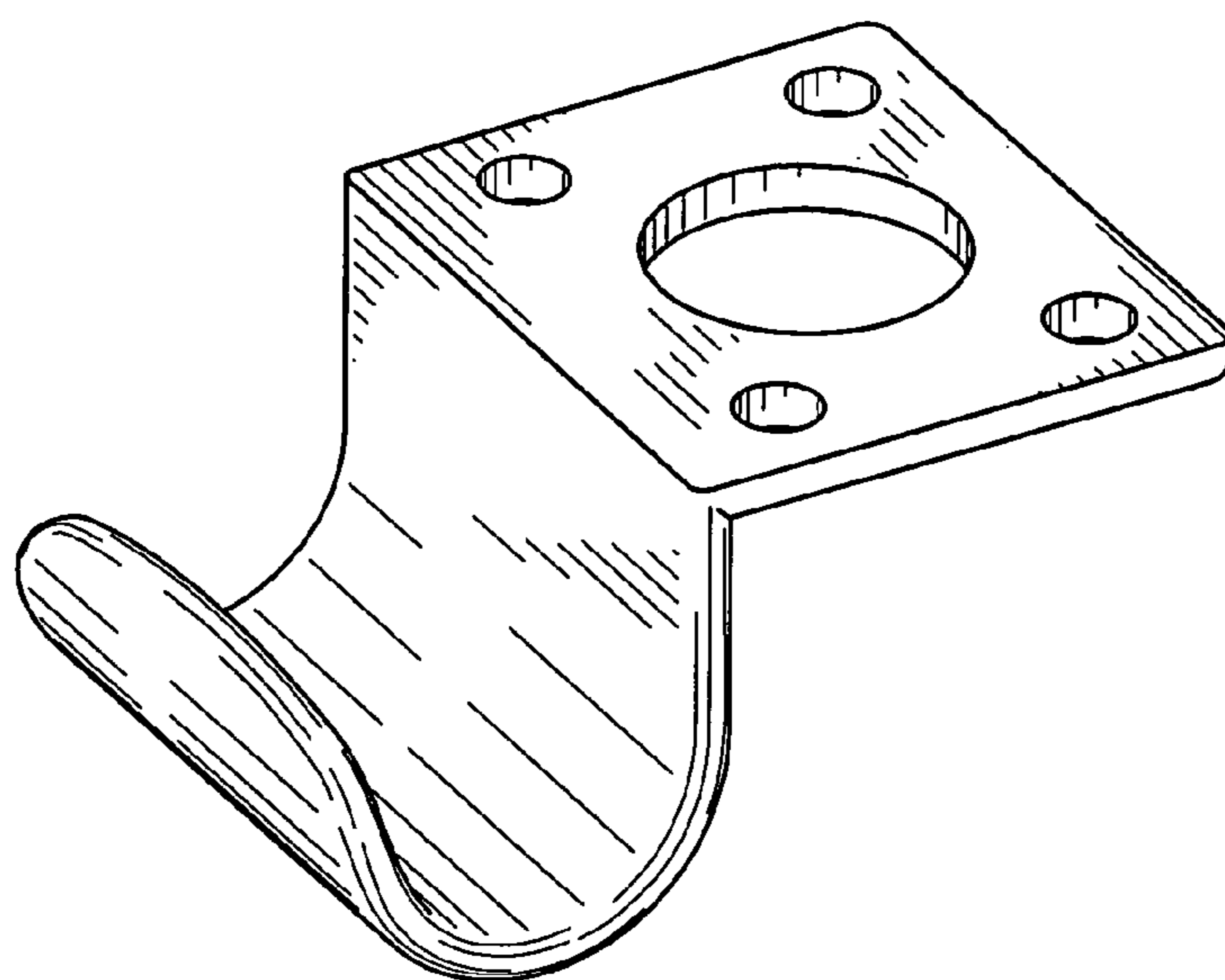


FIG.2

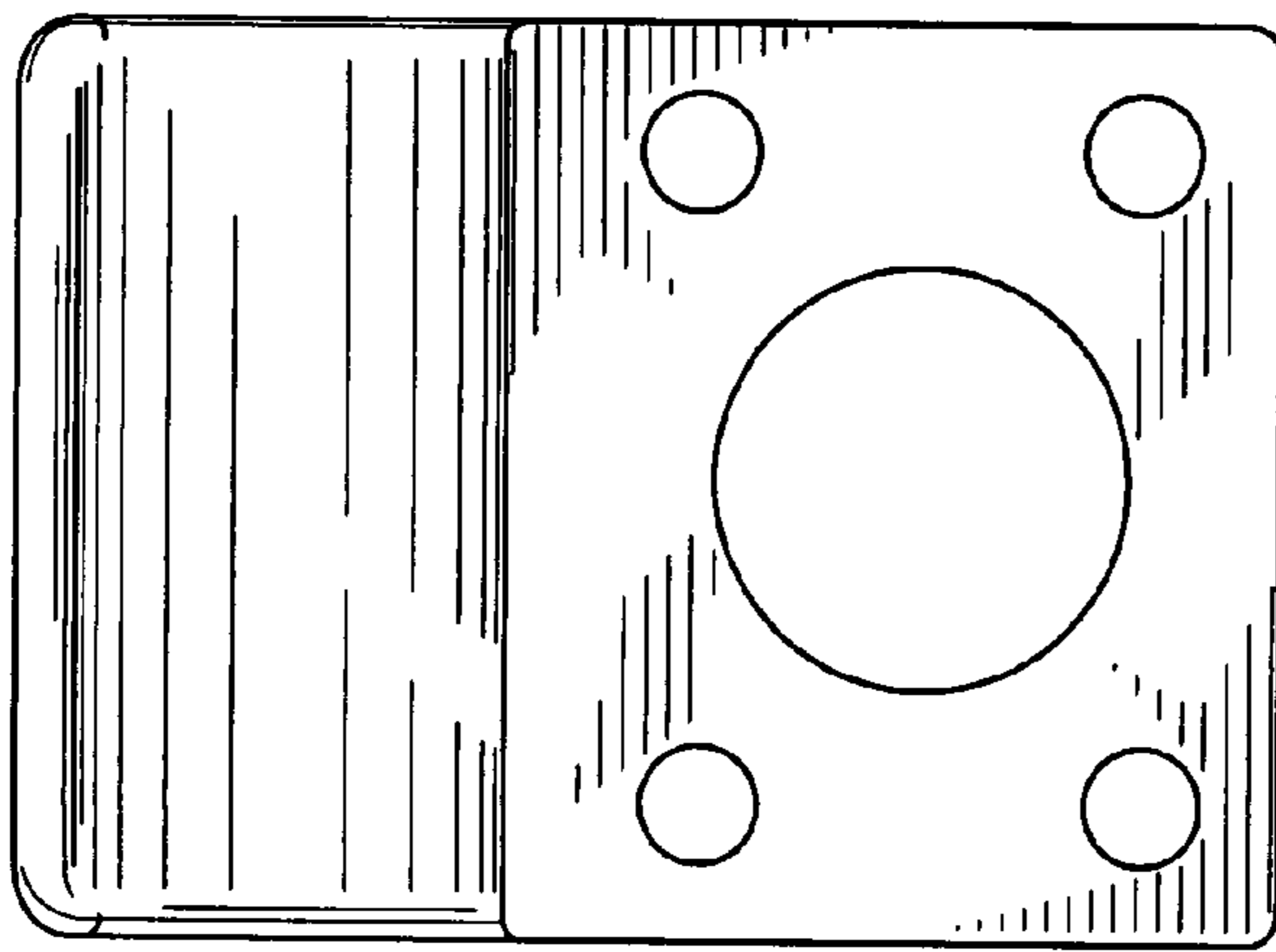


FIG. 3

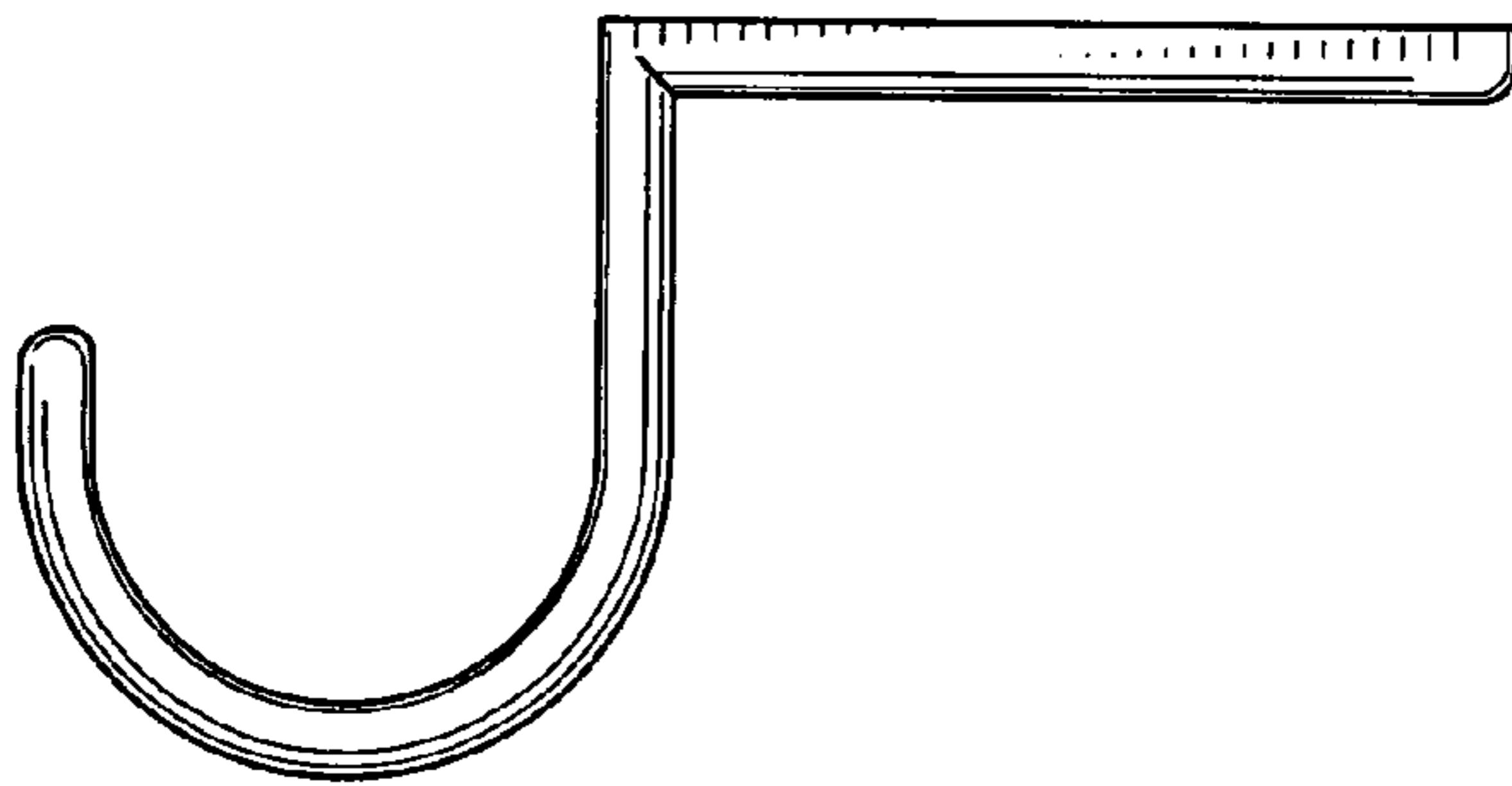


FIG. 4

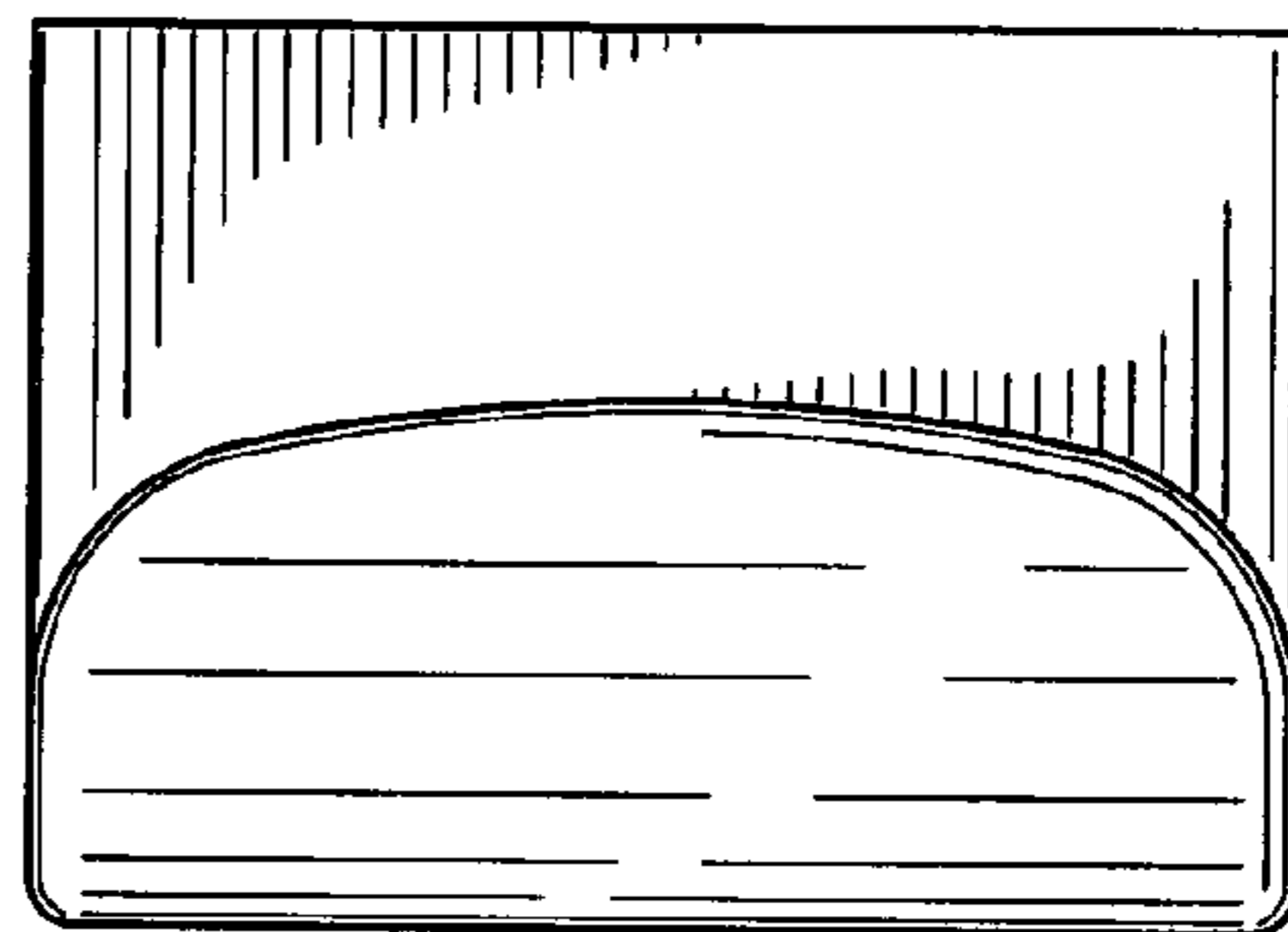


FIG. 5

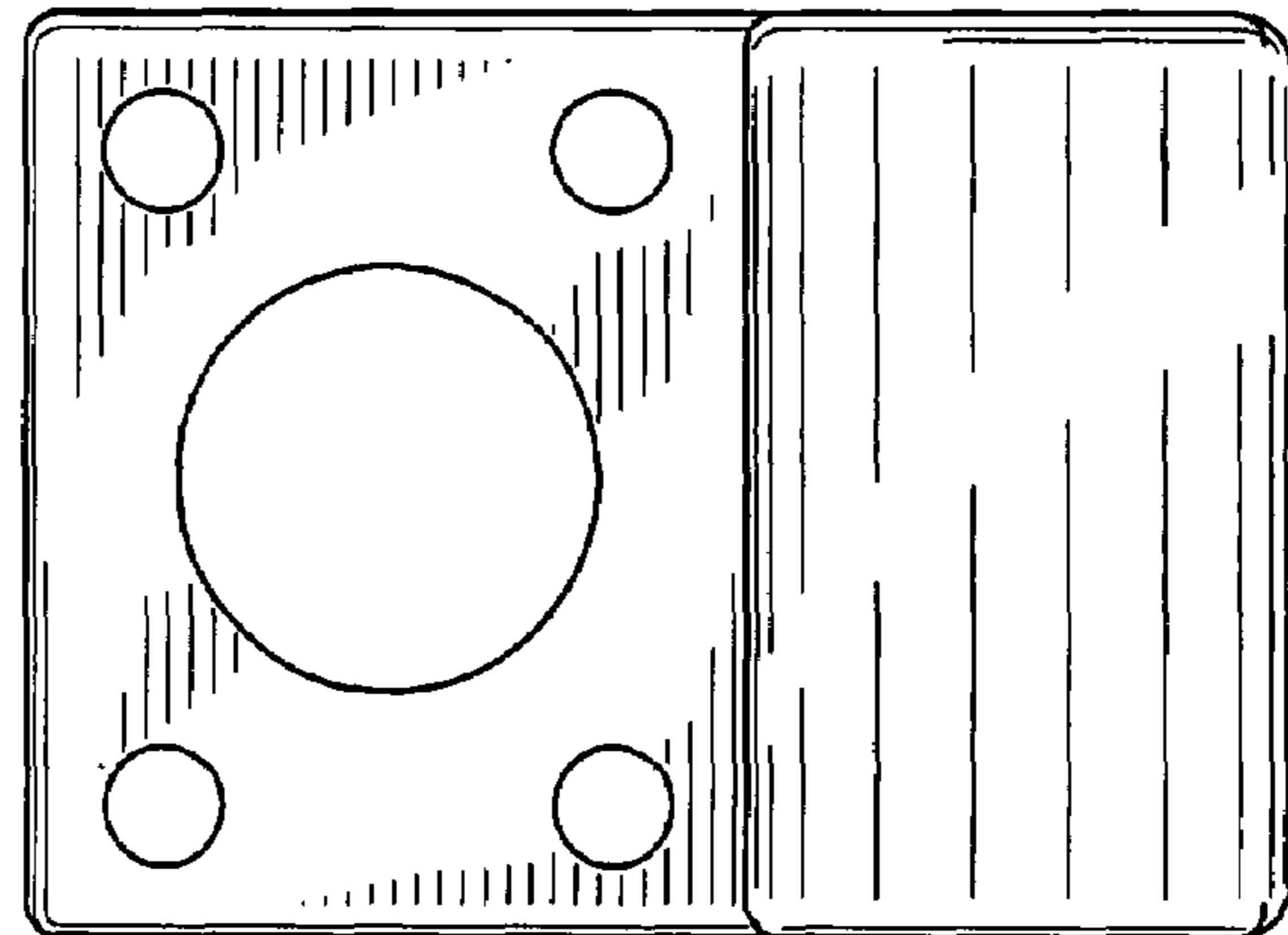


FIG. 6

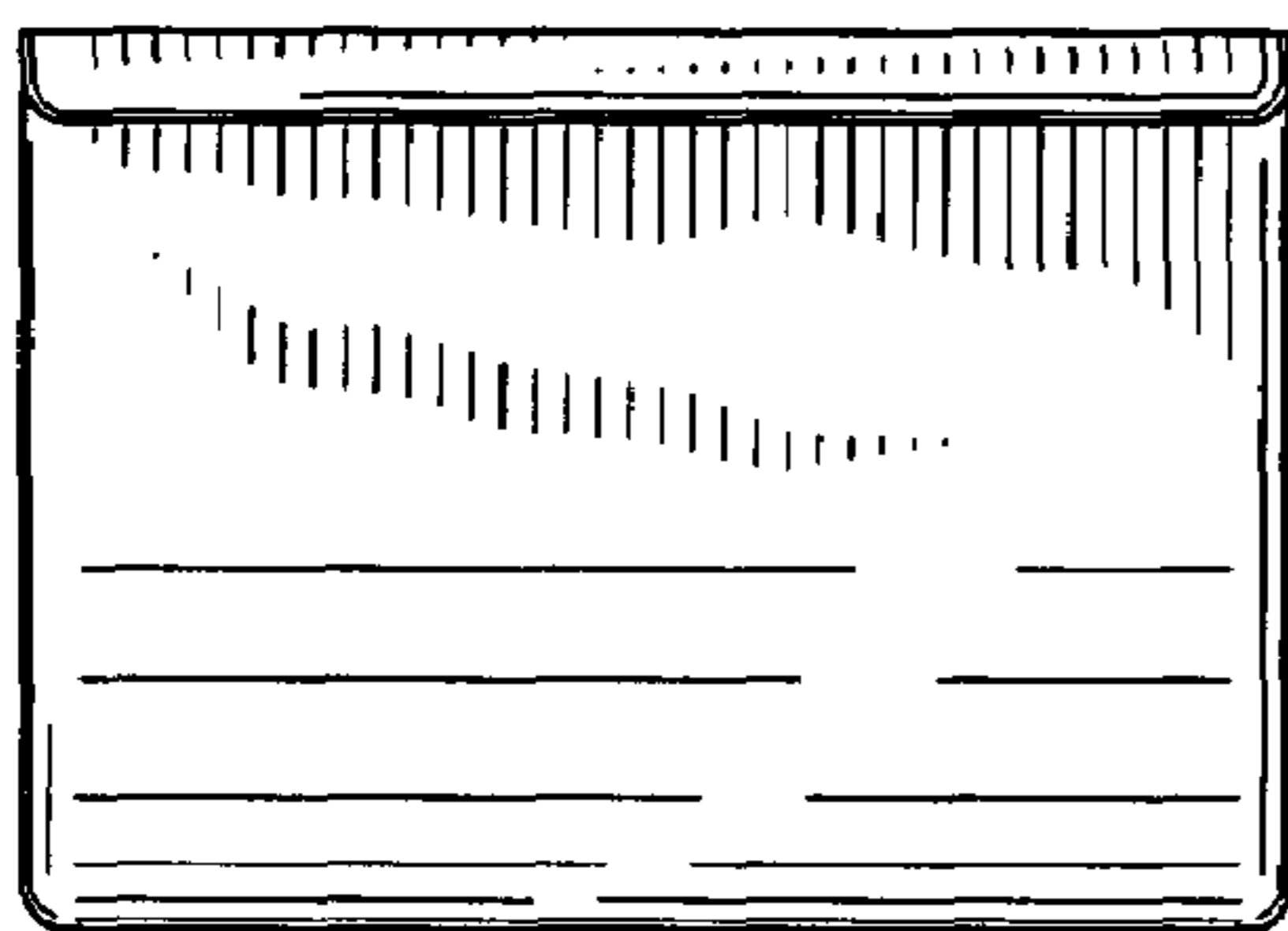


FIG. 7

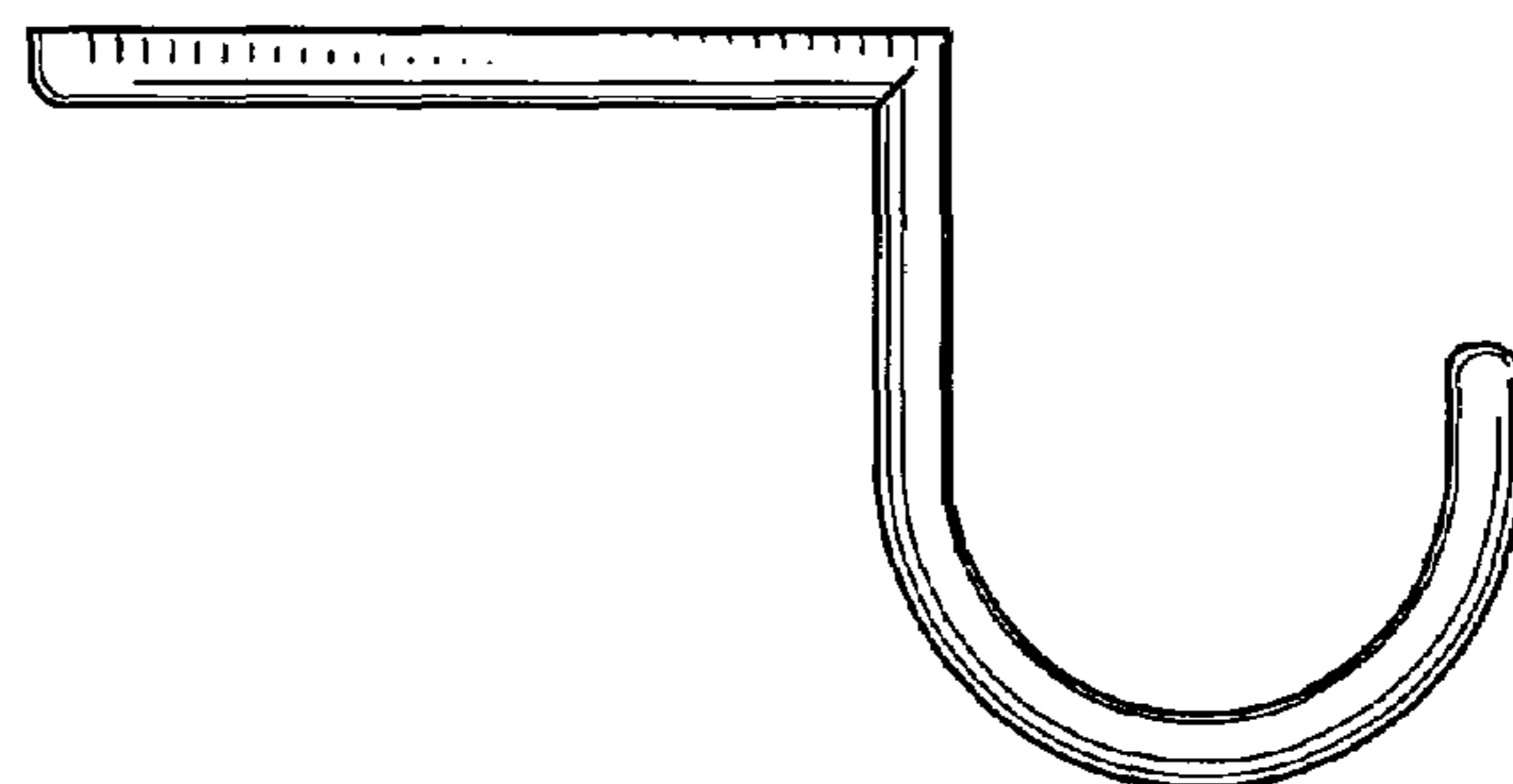


FIG. 8