



US00D580733S

(12) **United States Design Patent**  
**Hanes**

(10) **Patent No.:** **US D580,733 S**

(45) **Date of Patent:** **\*\* Nov. 18, 2008**

(54) **CABINET KNOB**

D551,934 S \* 10/2007 Krumpe ..... D8/307  
D551,937 S \* 10/2007 Krumpe et al. .... D8/310

(75) Inventor: **Wendy Hanes**, Benton, LA (US)

\* cited by examiner

(73) Assignee: **Hardware Resources, Inc.**, Bossier City, LA (US)

*Primary Examiner*—Paula A Greene

(74) *Attorney, Agent, or Firm*—Schultz & Associates, P.C.

(\*\*) Term: **14 Years**

(57) **CLAIM**

(21) Appl. No.: **29/288,301**

The ornamental design for a cabinet knob, as shown and described.

(22) Filed: **Jun. 6, 2007**

(51) **LOC (8) Cl.** ..... **08-06**

(52) **U.S. Cl.** ..... **D8/307; D8/305**

(58) **Field of Classification Search** ..... D8/307,  
D8/310, DIG. 2, DIG. 3; D7/392, 393; 16/110.1,  
16/441; 292/336.3, 337, 347  
See application file for complete search history.

**DESCRIPTION**

FIG. 1 is a side view of the cabinet knob in accordance with the present invention.

FIG. 2 is a top view of the cabinet knob in accordance with the present invention.

FIG. 3 is a bottom view of the cabinet knob in accordance with the present invention; and,

FIG. 4 is an isometric view of the cabinet knob in accordance with the present invention.

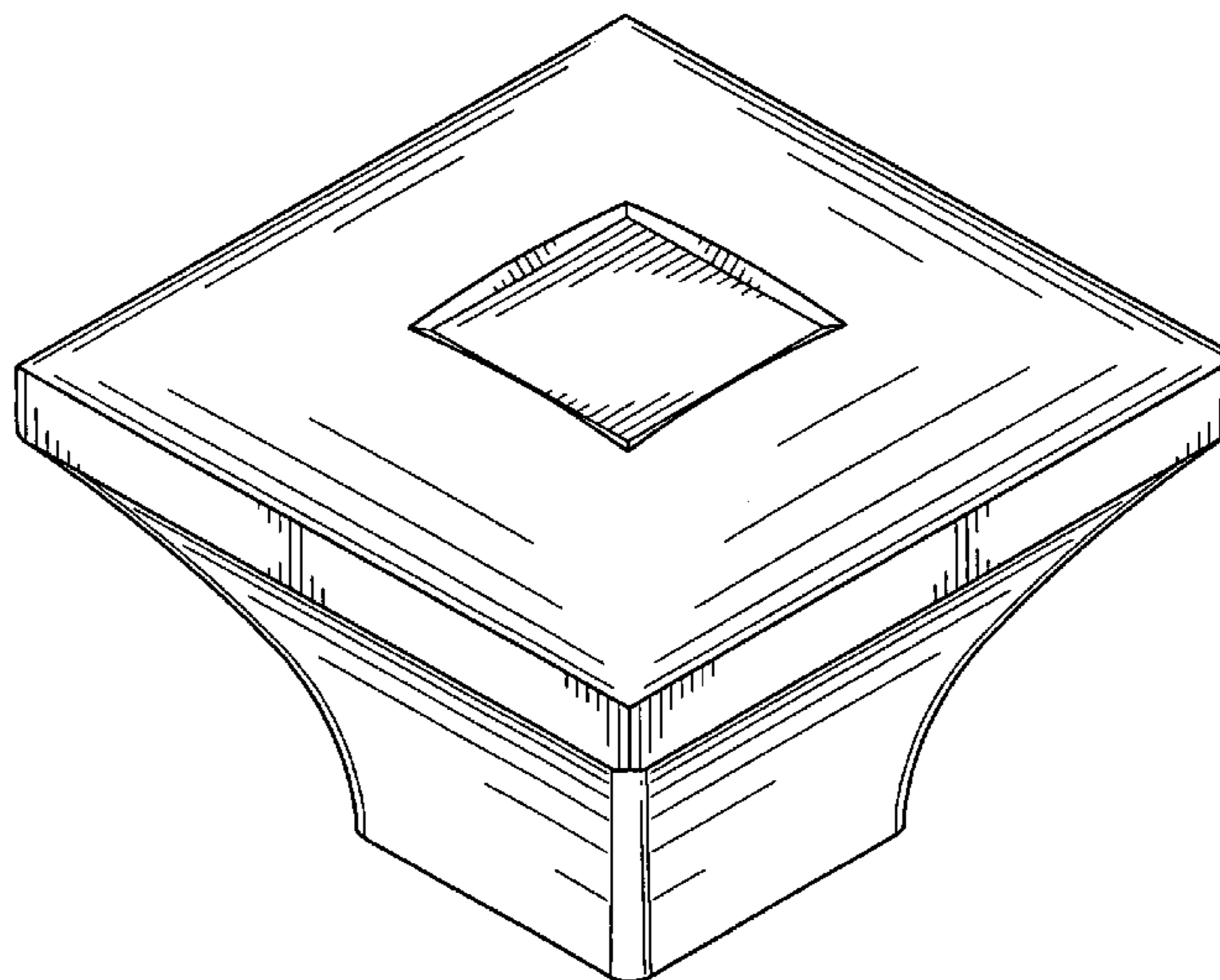
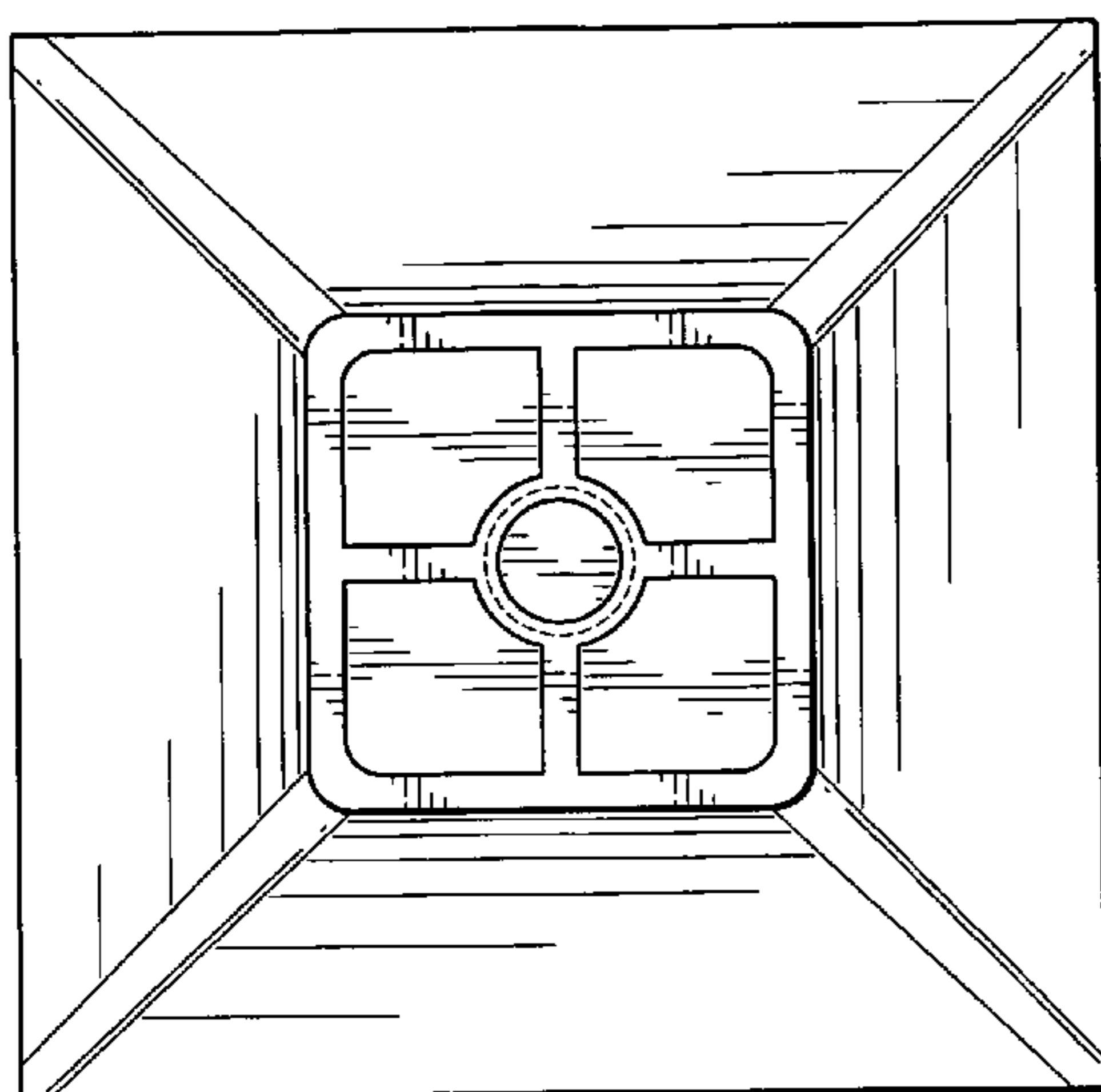
The broken lines are included for the purpose of illustration and form no part of the claimed design.

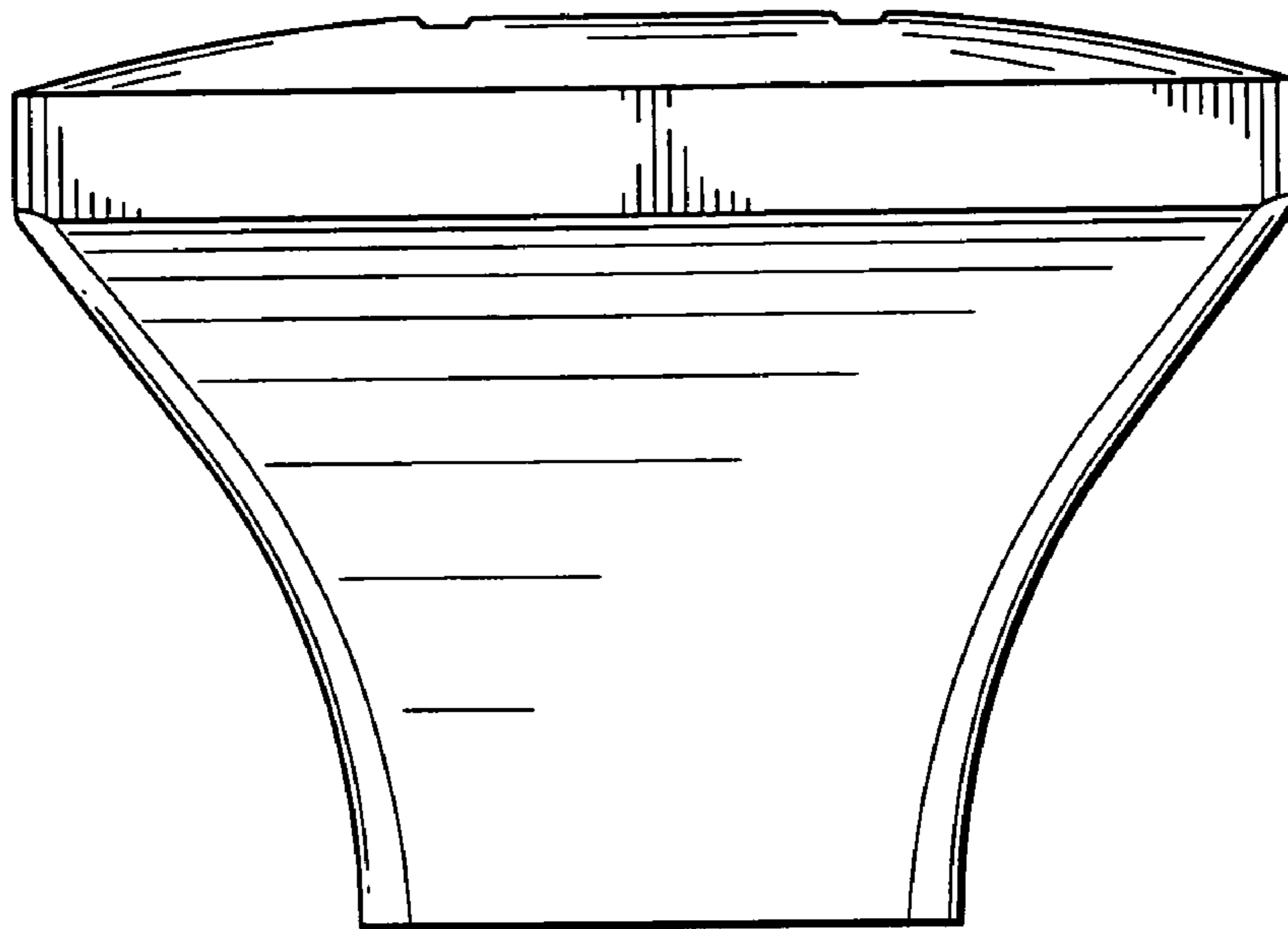
(56) **References Cited**

**U.S. PATENT DOCUMENTS**

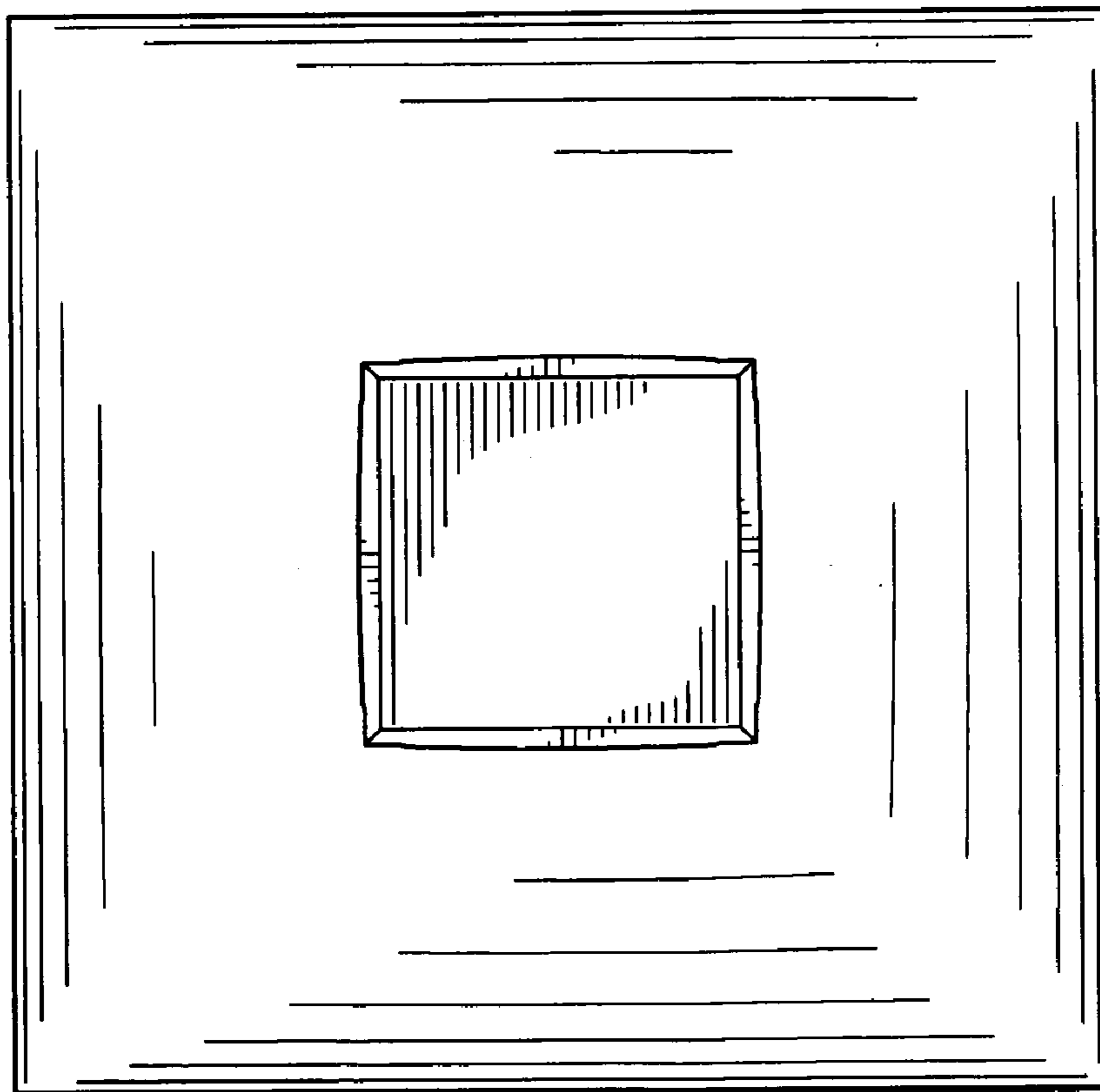
D47,069 S \* 3/1915 Burns ..... D8/307  
D185,098 S \* 5/1959 Prescott ..... D8/307  
3,044,817 A \* 7/1962 Marcante ..... 292/336.3  
D274,690 S \* 7/1984 Cesaroni ..... D8/310  
D537,319 S \* 2/2007 Fields ..... D8/310

**1 Claim, 2 Drawing Sheets**





*FIG. 1*



*FIG. 2*

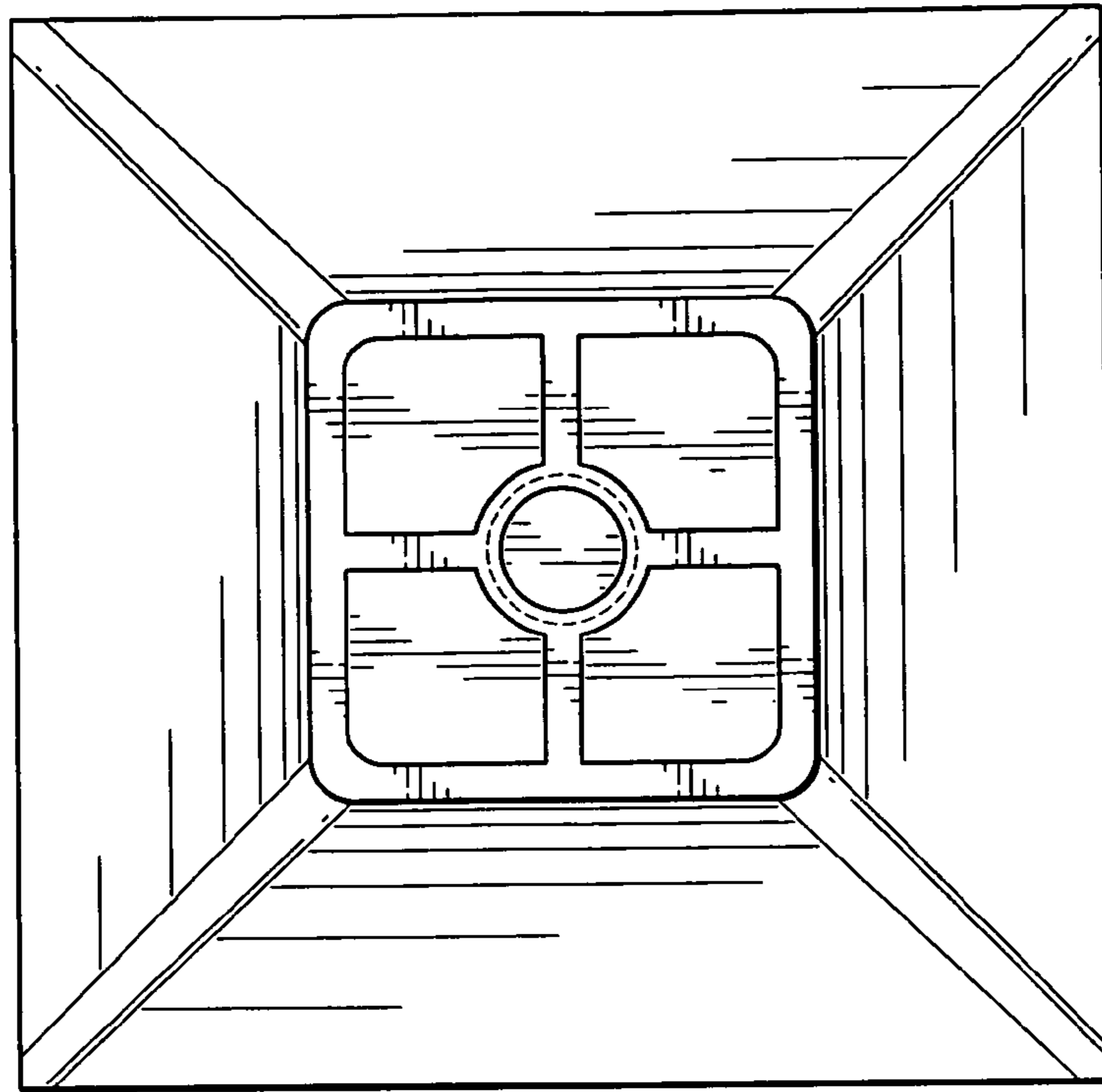


FIG. 3

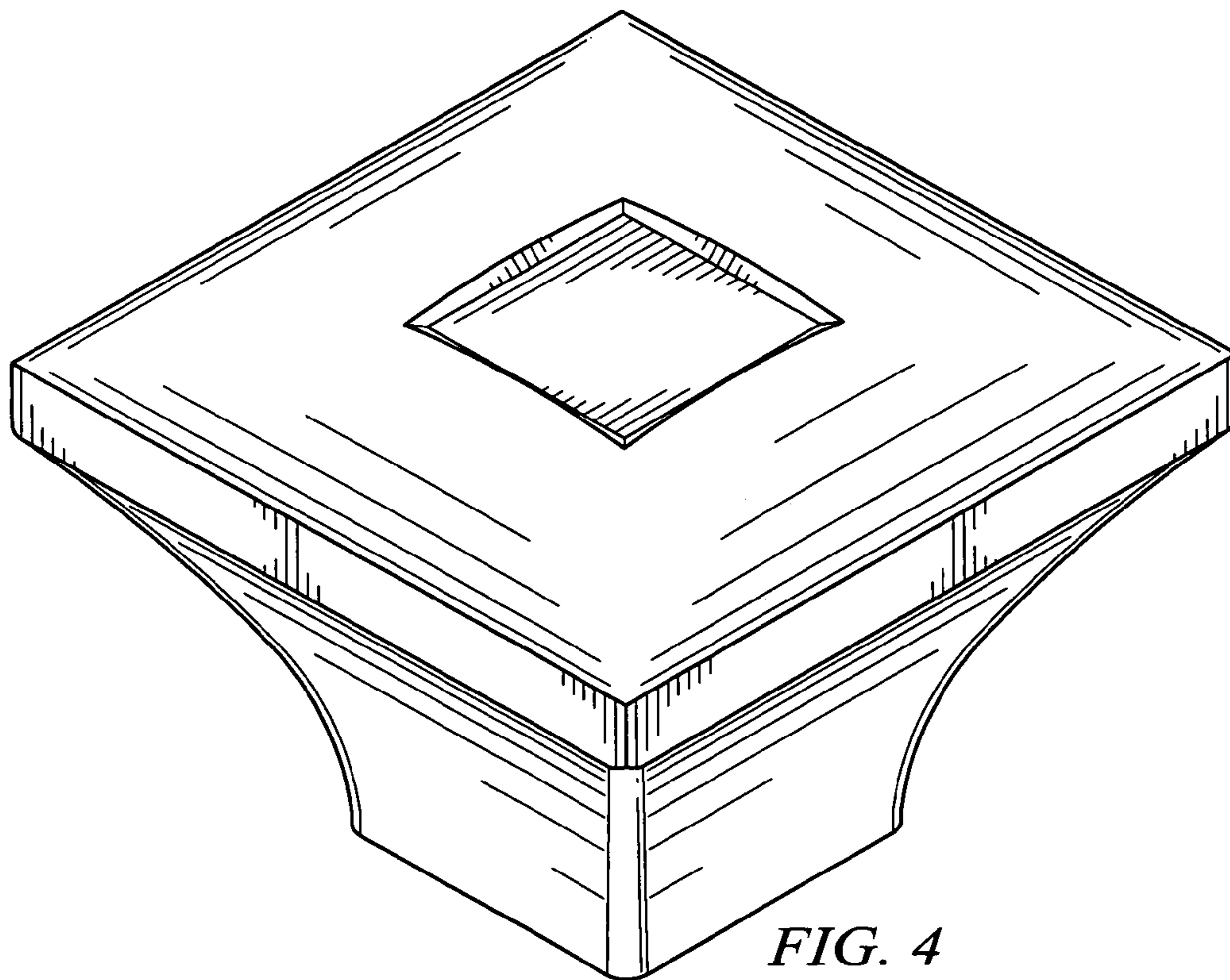


FIG. 4