



US00D580732S

(12) **United States Design Patent**  
**Meagher et al.**

(10) **Patent No.:** **US D580,732 S**

(45) **Date of Patent:** **\*\* Nov. 18, 2008**

(54) **HANDLE ASSEMBLY**

(75) Inventors: **Paul J. Meagher**, Chicago, IL (US);  
**Brian L. Papacek**, Elmwood Park, IL  
(US)

(73) Assignee: **Knock Knock, Inc.**, Westchester, IL  
(US)

(\*\*) Term: **14 Years**

(21) Appl. No.: **29/317,053**

(22) Filed: **Apr. 22, 2008**

**Related U.S. Application Data**

(62) Division of application No. 29/280,083, filed on May  
16, 2007, now Pat. No. Des. 570,655.

(51) **LOC (8) Cl.** ..... **08-05**

(52) **U.S. Cl.** ..... **D8/107**

(58) **Field of Classification Search** ..... D8/14,  
D8/75, 76, 77, 107; D22/117; D21/680,  
D21/681; 29/254; 173/90; 16/110.1  
See application file for complete search history.

(56) **References Cited**

**U.S. PATENT DOCUMENTS**

- 3,867,910 A \* 2/1975 Galonska ..... 123/217
- D250,569 S \* 12/1978 Smith ..... D8/8
- 4,681,171 A \* 7/1987 Kee et al. .... 173/90
- D305,718 S \* 1/1990 Ashcraft ..... D8/14
- 5,067,237 A \* 11/1991 Holder ..... 30/1
- 5,177,850 A \* 1/1993 Hull et al. .... 29/254
- D347,986 S \* 6/1994 Booth ..... D8/107
- 5,329,685 A \* 7/1994 Gillespie ..... 29/254

- 5,398,773 A \* 3/1995 Baker ..... 173/90
- D374,381 S \* 10/1996 Meisner et al. .... D8/8
- D406,225 S \* 3/1999 Searle et al. .... D8/107
- 7,093,669 B2 \* 8/2006 Walsh ..... 173/90
- D544,554 S \* 6/2007 Brun ..... D21/680

\* cited by examiner

*Primary Examiner*—Philip S Hyder

(74) *Attorney, Agent, or Firm*—Grant E. Coffield; Eckert  
Seamans Cherin & Mellott, LLC

(57) **CLAIM**

The ornamental design for a handle assembly, as shown and  
described.

**DESCRIPTION**

FIG. 1 is an isometric view of a handle assembly in accordance  
with an embodiment of the invention;

FIG. 2 is a right side elevation view of the handle assembly of  
FIG. 1;

FIG. 3 is a left side elevation view of the handle assembly of  
FIG. 1;

FIG. 4 is a top plan view of the handle assembly of FIG. 1;

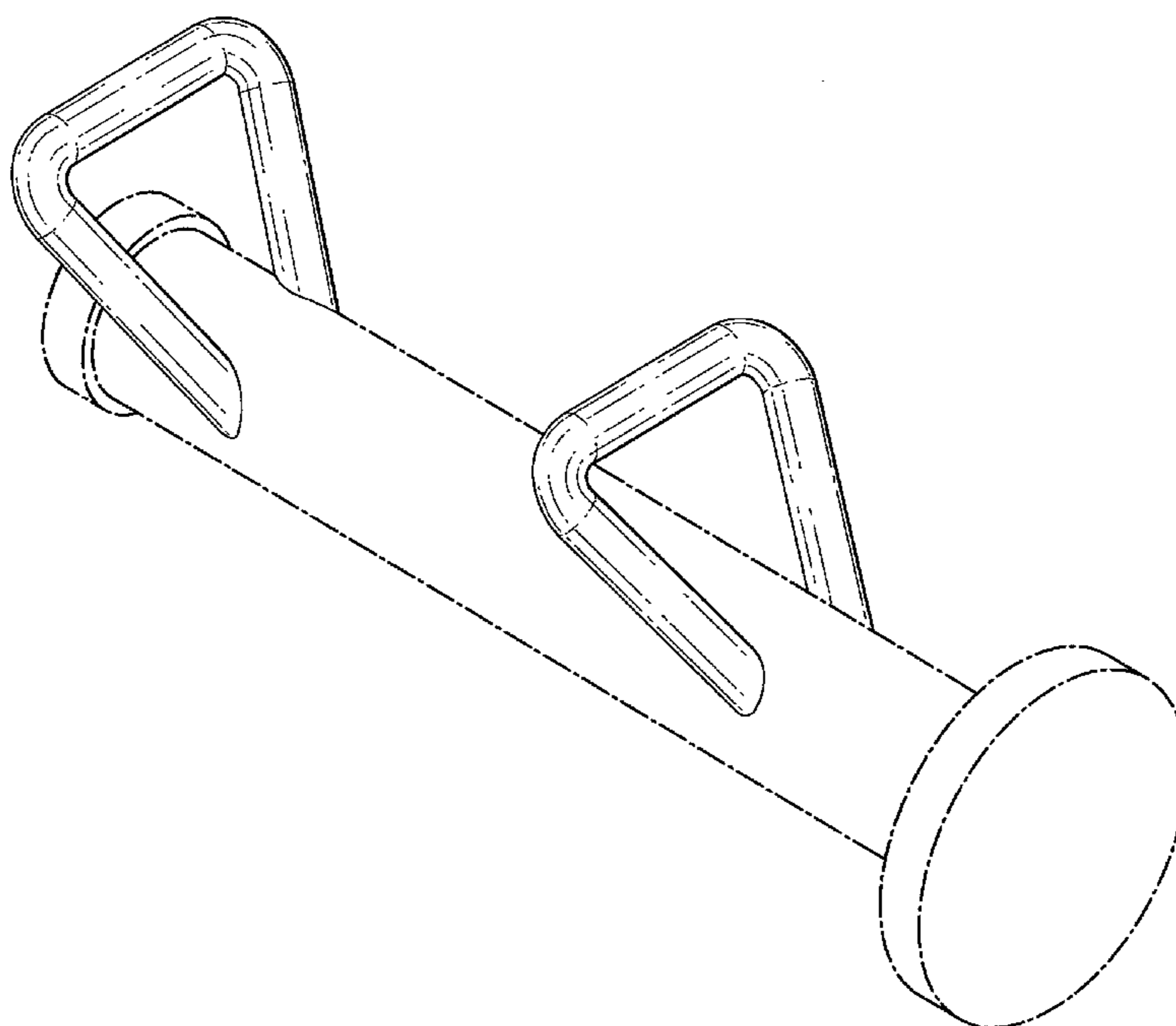
FIG. 5 is a bottom plan view of the handle assembly of FIG.  
1;

FIG. 6 is a front end elevation view of the handle assembly of  
FIG. 1; and,

FIG. 7 is a back end elevation view of the handle assembly of  
FIG. 1.

The components shown in broken lines in the drawings are for  
illustrative purposes only and do not form a part of the  
claimed design.

**1 Claim, 6 Drawing Sheets**



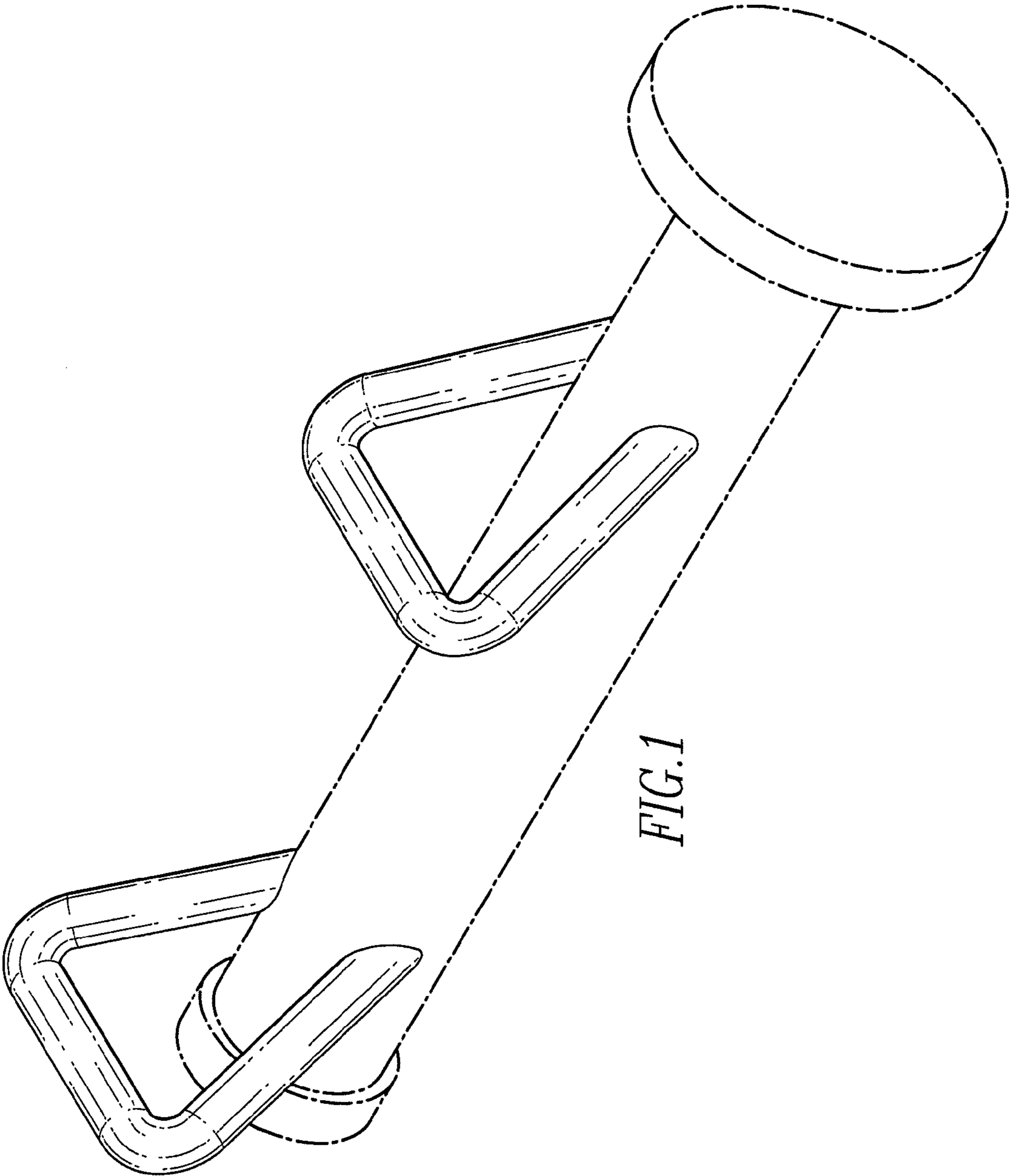


FIG. 1

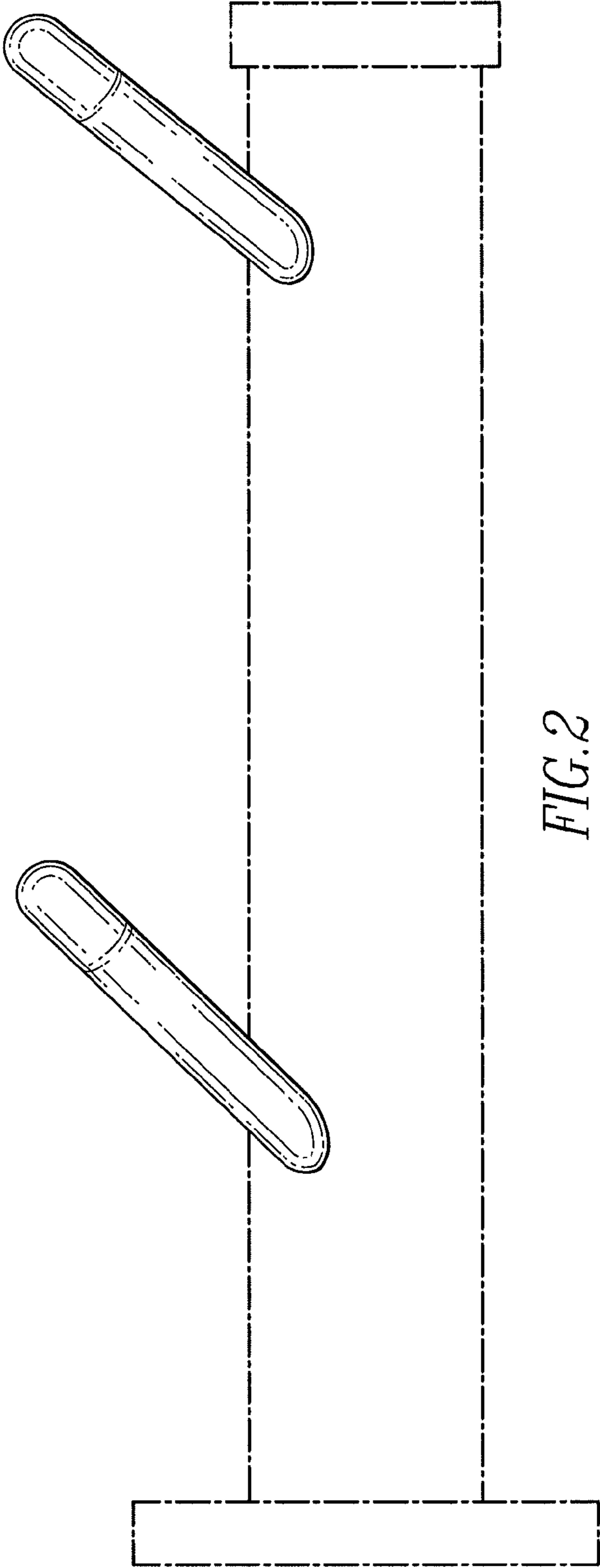


FIG. 2

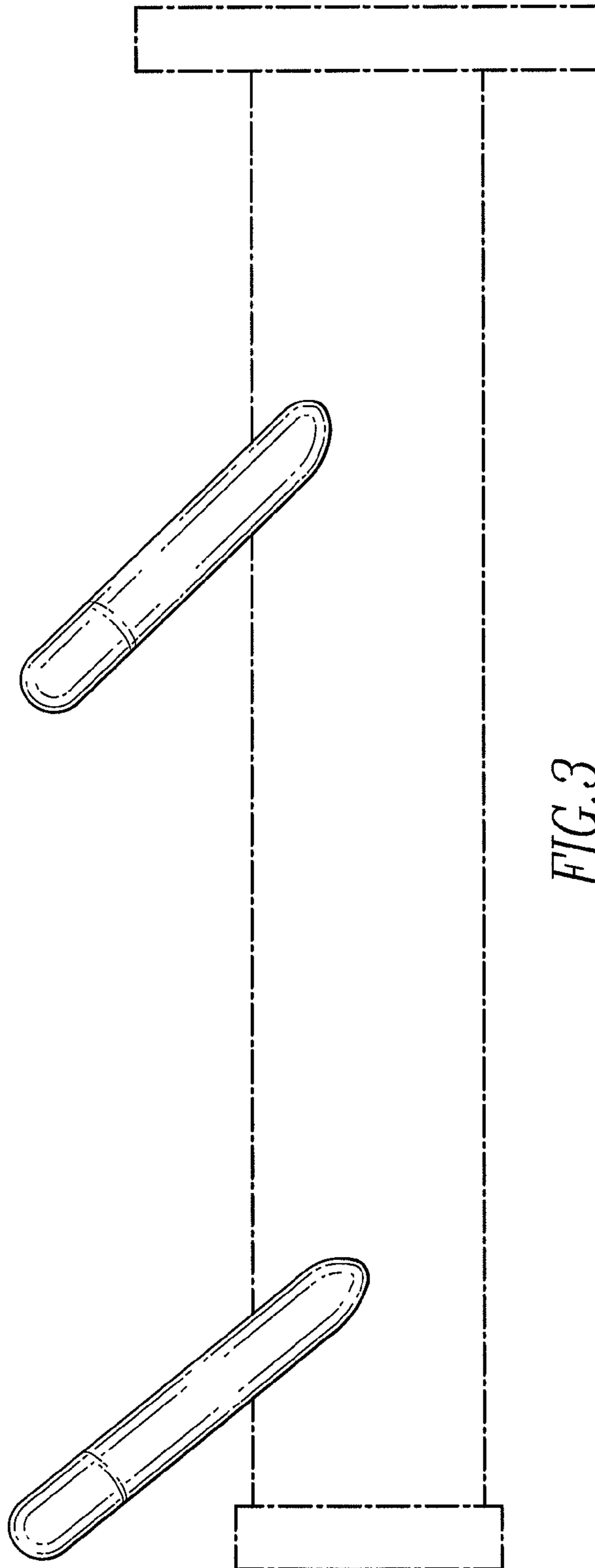


FIG. 3

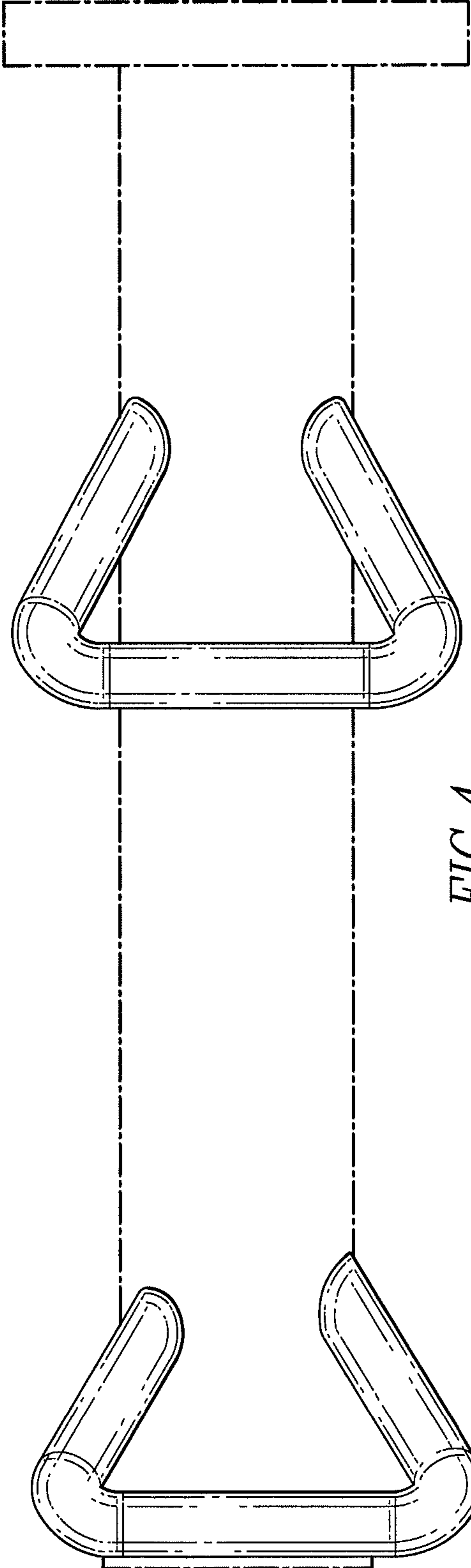


FIG. 4

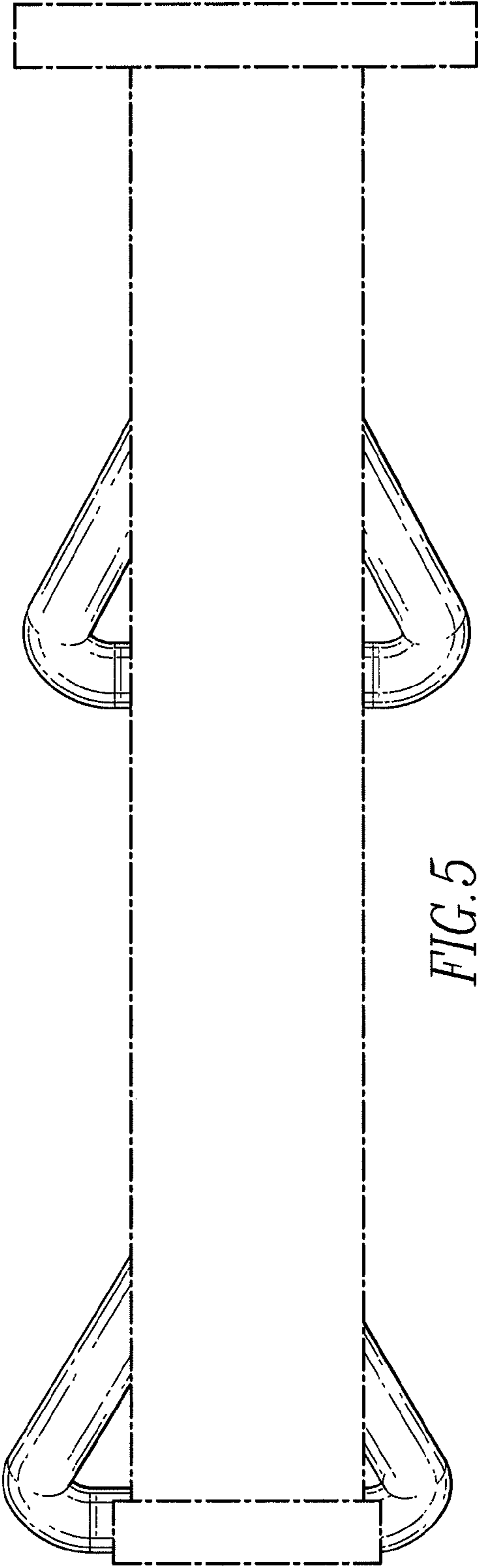
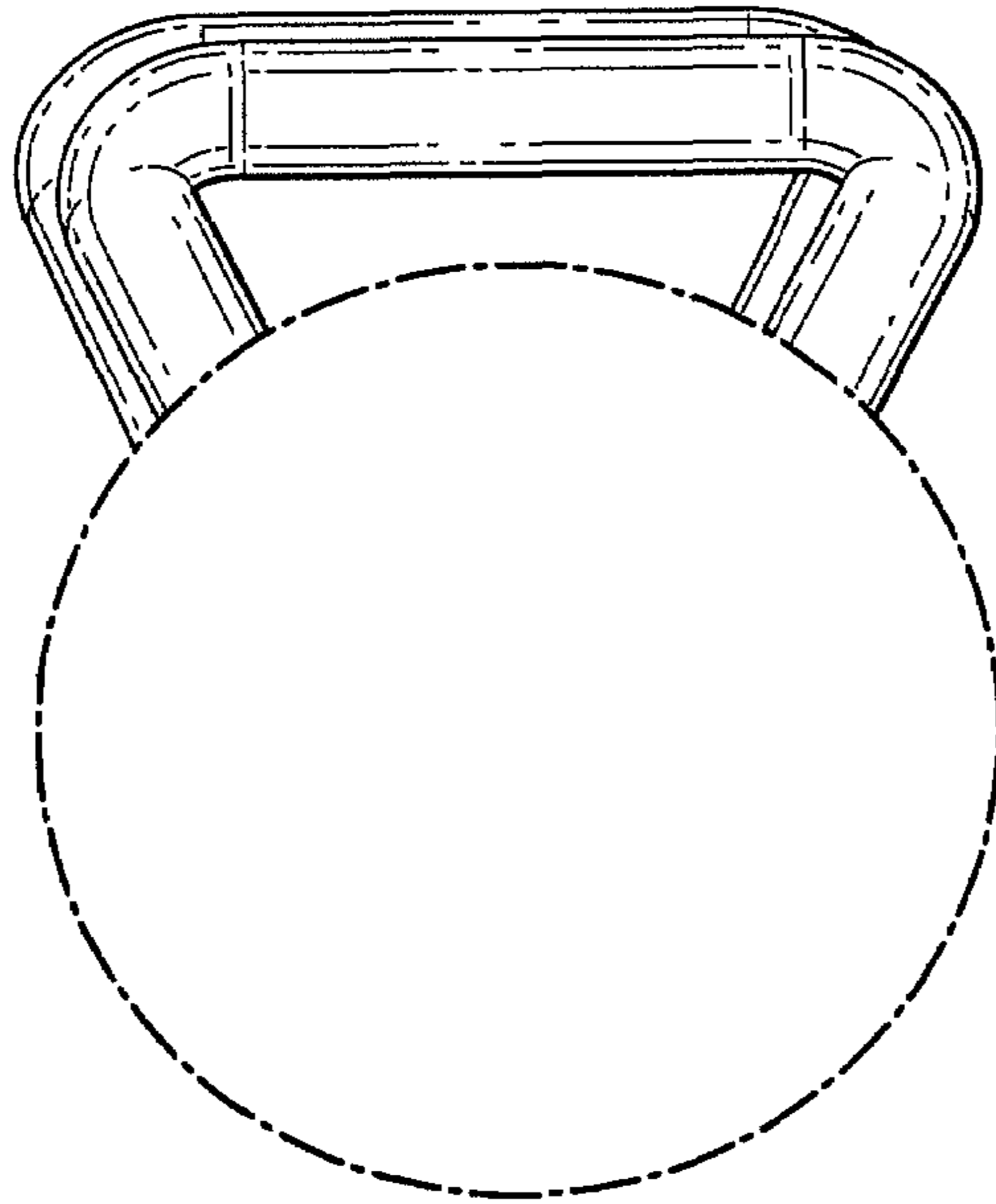
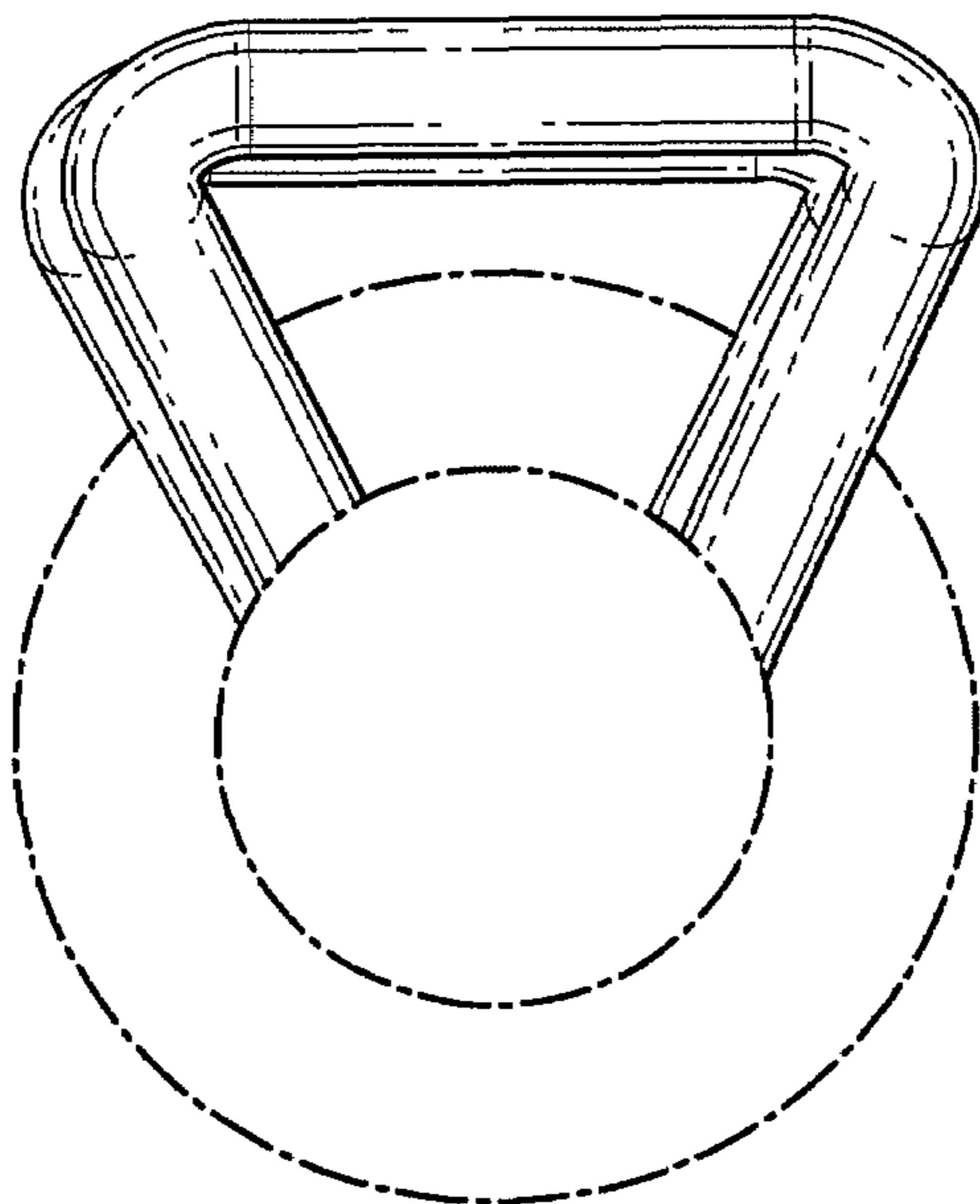


FIG. 5



*FIG. 6*



*FIG. 7*