



US00D580730S

(12) **United States Design Patent**  
**Gao**

(10) **Patent No.:** **US D580,730 S**  
(45) **Date of Patent:** **\*\* Nov. 18, 2008**

(54) **FIXED-TORQUE LIMITING HANDLE FOR A DRIVER**

(75) Inventor: **Hua Gao**, Fox Point, WI (US)

(73) Assignee: **Bradshaw Medical, Inc.**, Kenosha, WI (US)

(\*\*) Term: **14 Years**

(21) Appl. No.: **29/258,442**

(22) Filed: **Apr. 21, 2006**

(51) **LOC (8) Cl.** ..... **08-05**

(52) **U.S. Cl.** ..... **D8/107; D8/14**

(58) **Field of Classification Search** ..... D8/14,  
D8/24, 42, 82, 83, 107; 81/177.1, 478, 479,  
81/467, 468, 489; 16/110.1

See application file for complete search history.

4,763,546 A	8/1988	Yeh et al.
4,777,852 A	10/1988	Herman et al.
4,813,551 A	3/1989	Kuo
4,880,064 A	11/1989	Willoughby et al.
4,991,701 A	2/1991	Nakano et al.
5,004,054 A	4/1991	Sheen
D339,279 S	9/1993	Baum
D356,239 S	3/1995	Lin
5,437,524 A	8/1995	Huang
5,520,073 A	5/1996	Bakula et al.
5,535,648 A	7/1996	Braun et al.
D374,162 S	10/1996	Martin
5,570,616 A	11/1996	Thompson et al.
D377,444 S *	1/1997	Lin ..... D8/107
5,685,204 A	11/1997	Braun
5,848,680 A	12/1998	Rinner
5,855,517 A	1/1999	Lepold
5,868,231 A	2/1999	Kampf
D409,060 S *	5/1999	Lucy ..... D8/24
6,095,020 A	8/2000	Rinner
6,151,998 A *	11/2000	Fu-Hui ..... 81/177.4

(56) **References Cited**

U.S. PATENT DOCUMENTS

1,657,274 A	1/1928	Niedhammer
2,556,587 A	6/1951	Keen
2,972,271 A	2/1961	Gill
3,025,994 A	3/1962	Kaplan
3,167,936 A	2/1965	Engquist
3,203,523 A	8/1965	Gilder et al.
3,412,635 A *	11/1968	Chmielewski ..... 81/176.15
3,491,839 A	1/1970	McIntire
3,552,147 A	1/1971	Johansson et al.
3,662,628 A	5/1972	Schnepel
3,702,546 A	11/1972	Schnepel
3,958,469 A *	5/1976	Meese ..... 81/58.3
4,007,818 A	2/1977	Orwin
4,174,621 A	11/1979	Woltjen
4,238,978 A *	12/1980	Leone ..... 81/480
4,262,501 A	4/1981	Vaughn et al.
D259,698 S	6/1981	MacNeill
D260,599 S	9/1981	Wong
D282,713 S	2/1986	Flory et al.
D284,346 S	6/1986	Masters
4,599,779 A	7/1986	Thibault
D296,296 S	6/1988	Lee

(Continued)

*Primary Examiner*—Philip S Hyder

(74) *Attorney, Agent, or Firm*—Ryan Kromholz & Manion S.C.

(57) **CLAIM**

The ornamental design for a fixed-torque limiting handle for a driver, as shown and described.

**DESCRIPTION**

FIG. 1 is a perspective view of the driver of the present invention.

FIG. 2 is a front-elevation view of the driver of FIG. 1.

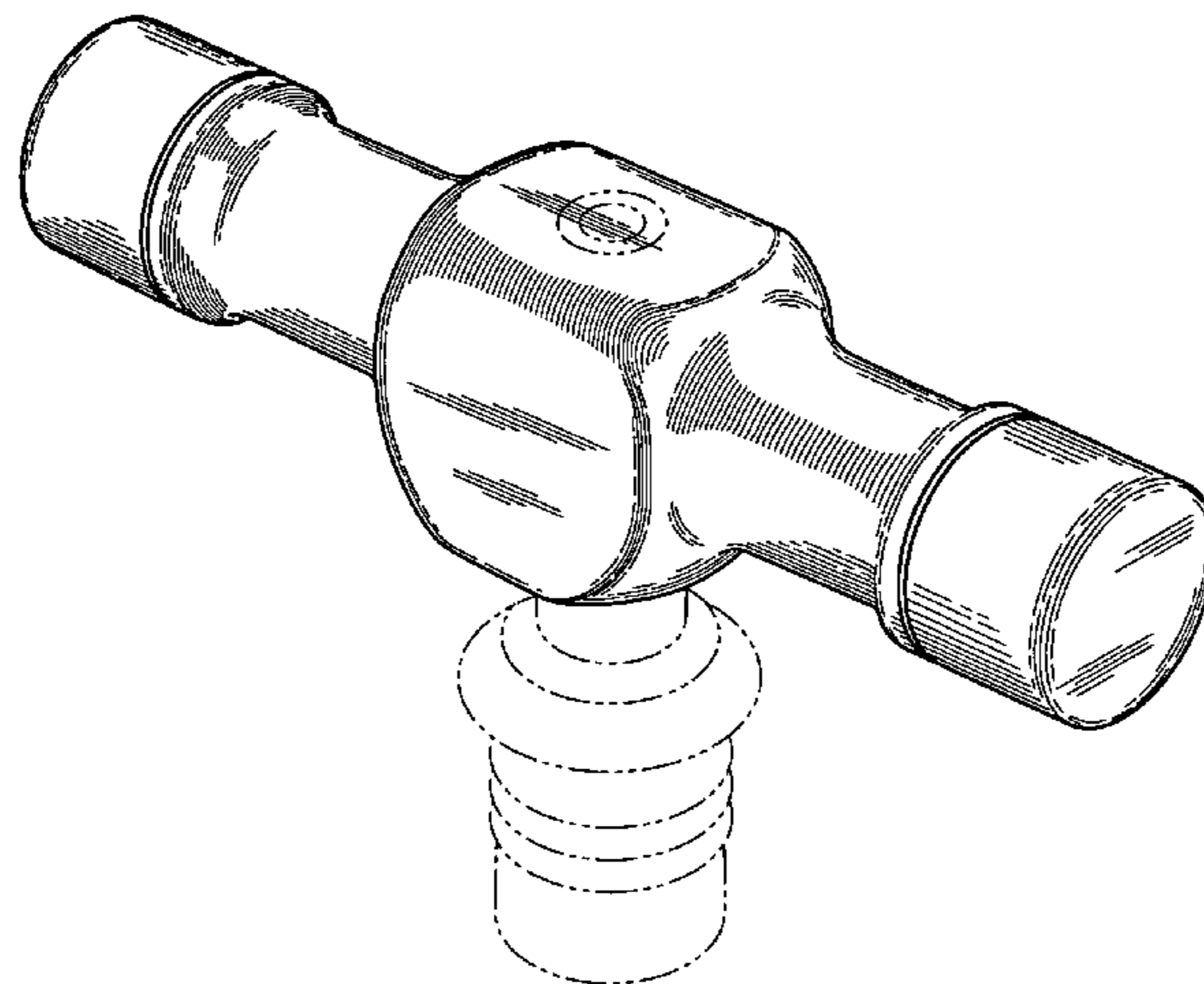
FIG. 3 is a top plan view of the driver of FIG. 1.

FIG. 4 is a bottom plan view of the driver of FIG. 1; and,

FIG. 5 is a right side elevation view of the driver of FIG. 1.

The broken lines of FIGS. 1–5 are for illustrative purposes only and form no part of the claimed design.

**1 Claim, 2 Drawing Sheets**



# US D580,730 S

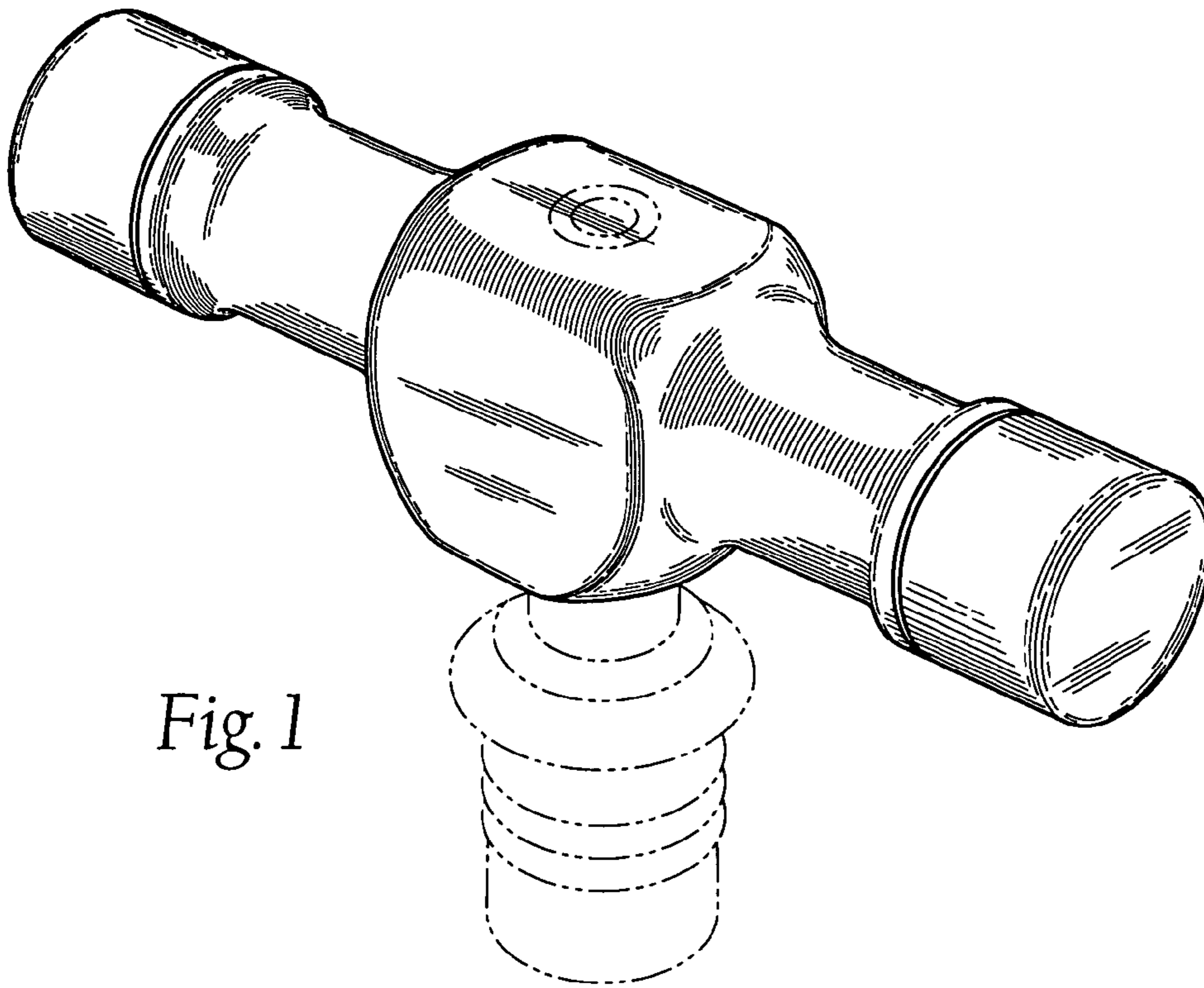
Page 2

---

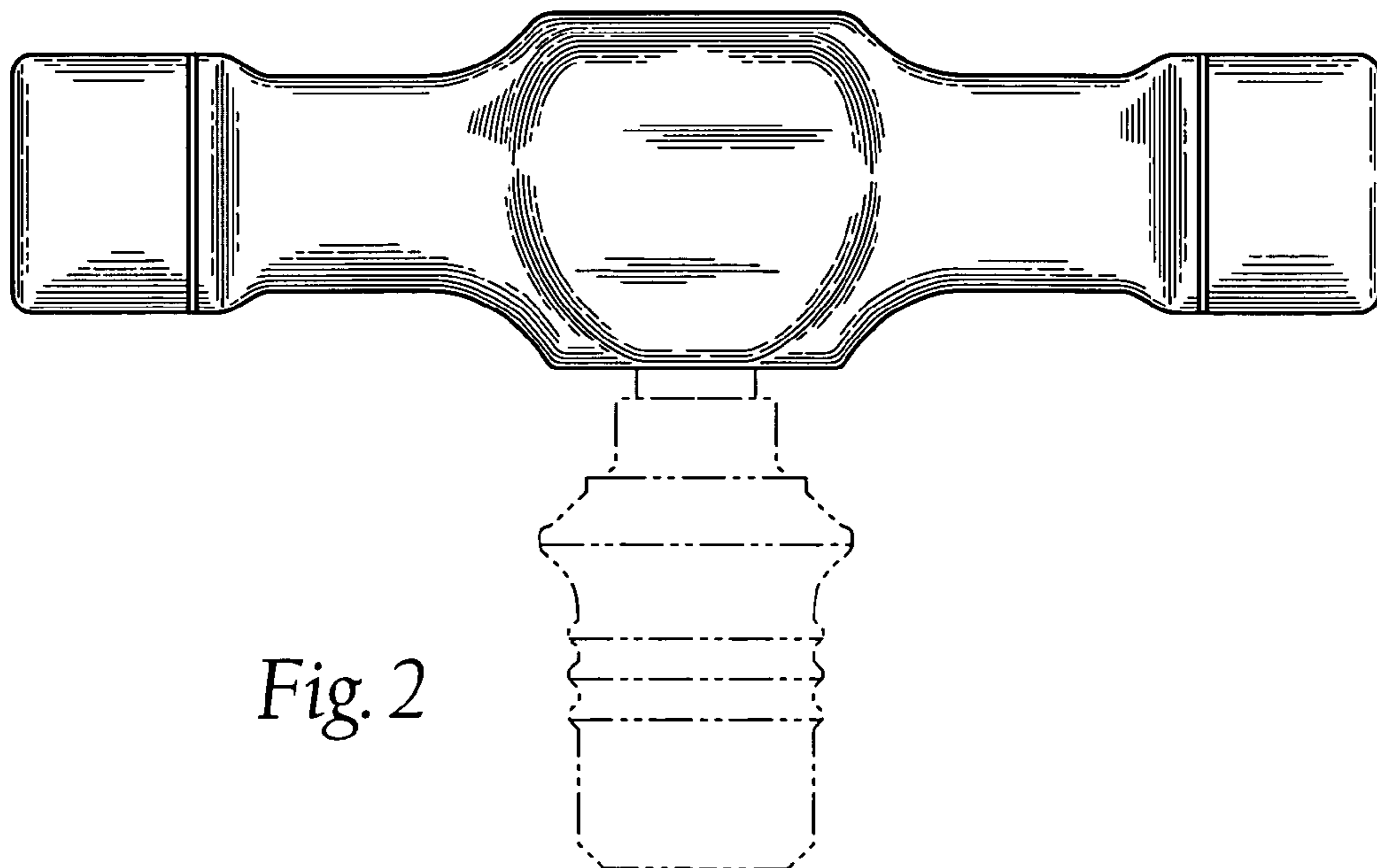
## U.S. PATENT DOCUMENTS

D439,815 S *	4/2001	Cutler et al. ....	D8/24	D540,634 S *	4/2007	Mujwid .....	D8/24
D454,045 S *	3/2002	Rinner et al. ....	D8/107	7,243,581 B1 *	7/2007	Gao .....	81/473
6,742,418 B2	6/2004	Amami		D552,949 S *	10/2007	Strahorn .....	D8/21
6,898,998 B2	5/2005	Shyu		2002/0170134 A1	11/2002	Martin	
6,996,886 B1	2/2006	Rinner		2003/0135234 A1	7/2003	Cunningham	
7,000,508 B2	2/2006	Li et al.		2004/0103763 A1	6/2004	Shyu	
D517,634 S *	3/2006	Nunez et al. ....	D21/789				

\* cited by examiner



*Fig. 1*



*Fig. 2*

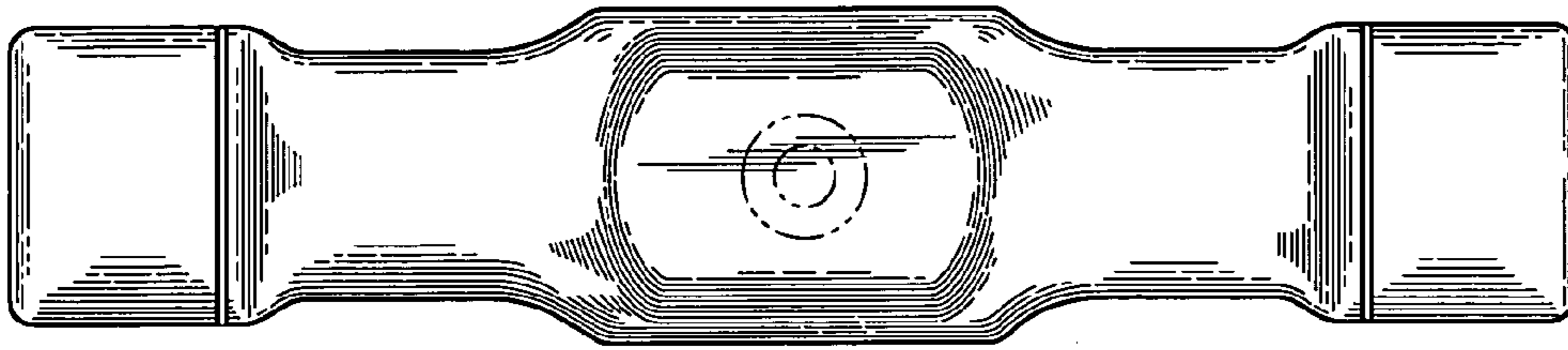


Fig. 3

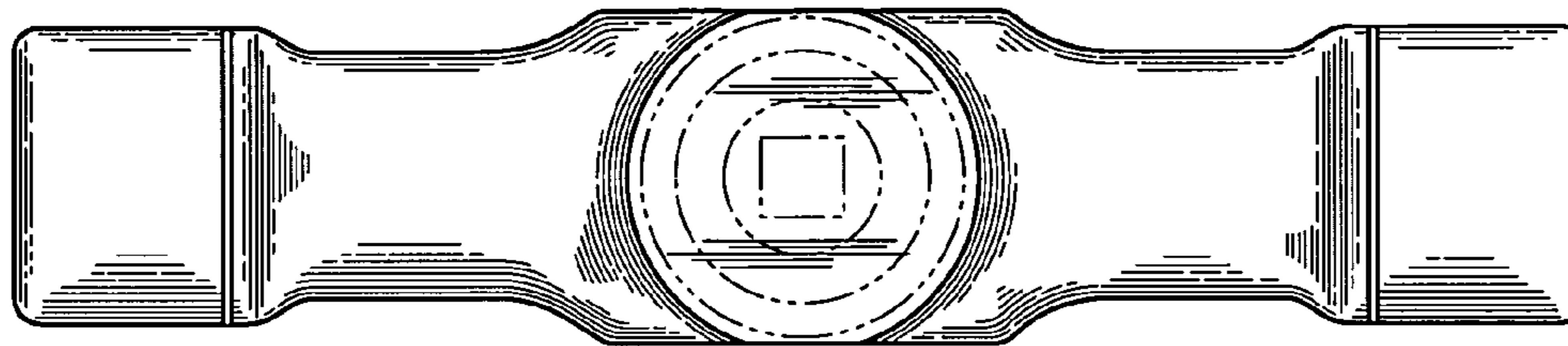


Fig. 4

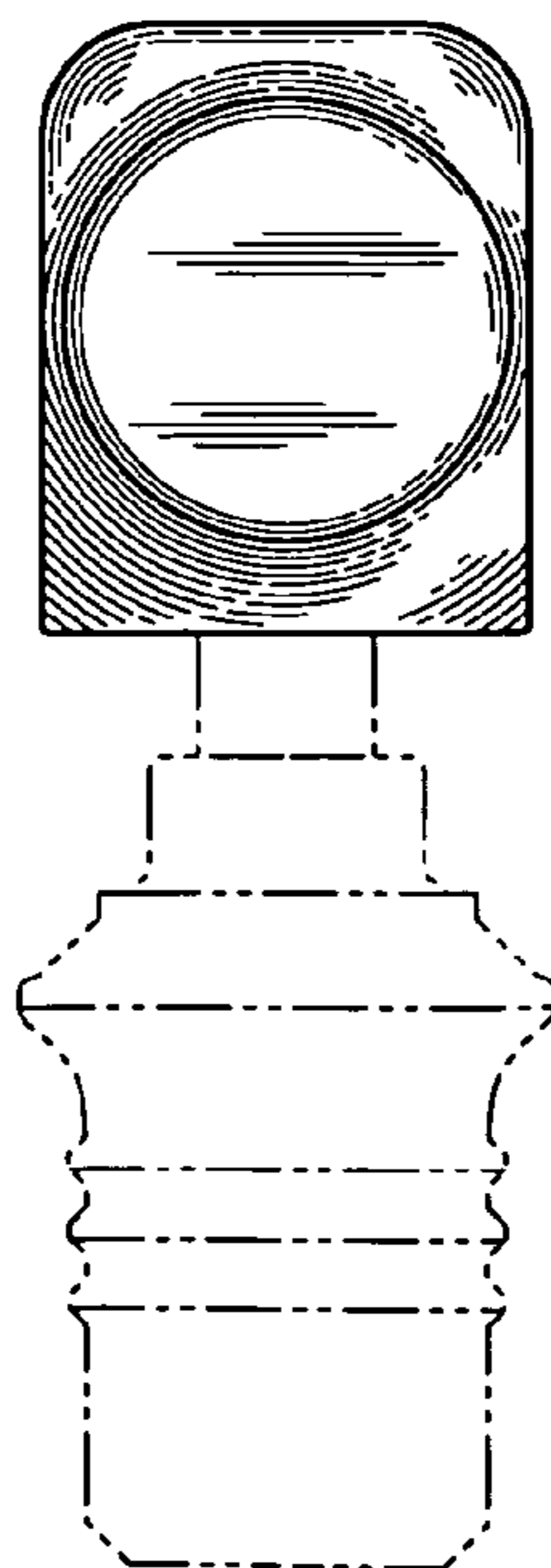


Fig. 5