



US00D580725S

(12) **United States Design Patent**
Bublitz et al.

(10) **Patent No.:** **US D580,725 S**
(45) **Date of Patent:** **** Nov. 18, 2008**

(54) **POWER TOOL, SUCH AS A DRILL**

DE 3230648 A1 2/1984

(75) Inventors: **Scott D. Bublitz**, Hartland, WI (US);
John Sara, Cedarburg, WI (US); **Mark**
A. Knight, Anderson, SC (US); **Taku**
Ohi, Greer, SC (US); **Kenneth M.**
Brazell, Piedmont, SC (US)

(Continued)

OTHER PUBLICATIONS

Black & Decker, Instruction Manual, 3/8" Double Insulated Drills,
Form No. 722735-07, (SEP93-NP-3), Towson, MD 1993.

(73) Assignee: **Milwaukee Electric Tool Corporation**,
Brookfield, WI (US)

(Continued)

Primary Examiner—T. Chase Nelson

(**) Term: **14 Years**

(74) *Attorney, Agent, or Firm*—Michael Best & Friedrich
LLP

(21) Appl. No.: **29/251,363**

(57) **CLAIM**

(22) Filed: **Jan. 6, 2006**

The ornamental design for a power tool, such as a drill, as
shown and described.

(51) **LOC (8) Cl.** **08-01**

(52) **U.S. Cl.** **D8/68**

(58) **Field of Classification Search** D8/14.1,
D8/61-70; 81/57.11, 429, 454-456, 469,
81/489; 173/13, 104, 114, 168-171, 178,
173/201, 211, 213, 217; 408/20, 124, 125,
408/234, 241 R; 451/358; 310/50; 227/8,
227/113, 114, 120, 130, 136, 142; 320/114

DESCRIPTION

See application file for complete search history.

FIG. 1 is a rear perspective view of a power tool, such as a
drill.

(56) **References Cited**

U.S. PATENT DOCUMENTS

2,155,082 A	4/1939	Decker
2,273,626 A	2/1942	Connell
2,525,839 A	10/1950	Sparklin
2,545,659 A	3/1951	Ginter
2,617,455 A	11/1952	Kuta
2,764,705 A	9/1956	Albertson et al.
D181,742 S	12/1957	Madl et al.
3,121,178 A	2/1964	Seyfried et al.
3,257,877 A	6/1966	Ulrich et al.
3,271,013 A	9/1966	Chambers et al.

FIG. 2 is a left side view of the power tool, such as a drill,
shown in FIG. 1, the right side view is a mirror image except-
ing the minor differences visible in the remaining figure
views.

FIG. 3 is a top view of the power tool, such as a drill, shown
in FIG. 1; and,

FIG. 4 is a rear view of the power tool, such as a drill, shown
in FIG. 1.

In the present design, the bottom and front of the design are
devoid of surface ornamentation, and accordingly, the bottom
view and front view are omitted.

The broken lines depicting a battery, chuck, and portions of
the design are included for purposes of illustrating unclaimed
features and environmental structure. The broken lines form
no part of the claimed design.

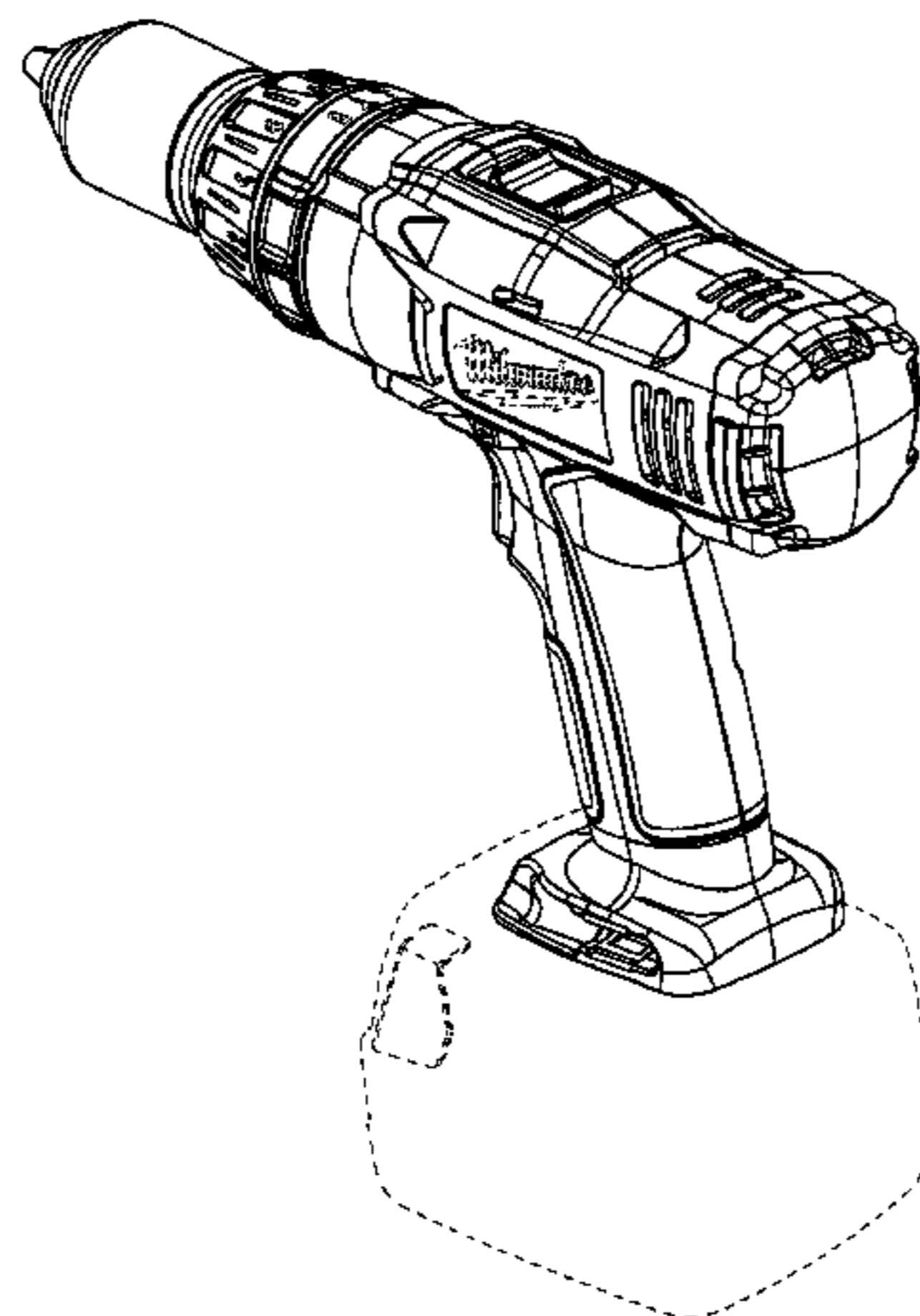
(Continued)

FOREIGN PATENT DOCUMENTS

DE	2158118 A1	1/1974
DE	7629644 U	1/1977

The name Milwaukee displayed in broken lines on the power
tool, such as a drill, is a trademark owned by the Milwaukee
Electric Tool Corporation.

1 Claim, 4 Drawing Sheets



US D580,725 S

U.S. PATENT DOCUMENTS					
3,383,943	A	5/1968 Piber	D337,711	S	7/1993 Ogawa et al.
3,440,465	A	4/1969 Pratt et al.	5,230,261	A	7/1993 Akazawa et al.
3,452,226	A	6/1969 Hettich	D339,727	S	9/1993 Kikuchi
3,517,574	A	6/1970 Glatfelter	D340,393	S	10/1993 Okumura
3,602,318	A	8/1971 Slany	D344,000	S	2/1994 Shibata et al.
3,652,879	A	3/1972 Plunkett et al.	5,311,949	A	5/1994 Chapin
3,703,646	A	11/1972 Jacyno	5,341,704	A	8/1994 Klemm
3,734,207	A	5/1973 Fishbein	D353,526	S	12/1994 Hoshino
3,774,476	A	11/1973 Söhnlein et al.	5,372,420	A	12/1994 Van Deursen et al.
3,785,443	A	1/1974 Armbruster	5,404,775	A	4/1995 Abe
3,818,255	A	6/1974 Wagner	5,445,480	A	8/1995 Merriman
4,023,001	A	5/1977 Lafferty, Sr.	5,449,043	A	9/1995 Bourner et al.
4,081,704	A	3/1978 Vassos et al.	5,469,601	A	11/1995 Jackson
4,090,098	A	5/1978 Kränzler et al.	5,533,581	A	7/1996 Barth et al.
4,166,708	A	9/1979 Lafferty, Sr.	5,563,482	A	10/1996 Shaw et al.
4,229,981	A	10/1980 Macky	5,588,496	A	12/1996 Elger
4,260,916	A	4/1981 Theissig	D378,727	S	4/1997 Kikuchi
D262,489	S	12/1981 House, II	5,697,456	A	12/1997 Radle et al.
4,342,931	A	8/1982 Grossmann et al.	5,704,435	A	1/1998 Meyer et al.
4,348,603	A	9/1982 Huber	D392,530	S *	3/1998 Lui D8/68
4,366,871	A	1/1983 Dieterle et al.	D396,395	S	7/1998 Zurwelle
4,368,556	A	1/1983 Wanner et al.	D396,621	S	8/1998 Zurwelle
4,418,766	A	12/1983 Grossmann	D396,789	S	8/1998 Murray
4,440,238	A	4/1984 Sauerwein et al.	D400,074	S	10/1998 Cooper
4,459,522	A	7/1984 Huber	5,819,594	A	10/1998 Sjovall
4,462,467	A	7/1984 Weingartner	D400,416	S	11/1998 Zurwelle
4,479,555	A	10/1984 Grossman et al.	5,848,655	A	12/1998 Cooper et al.
4,487,270	A	12/1984 Huber	D406,740	S	3/1999 Zurwelle
4,493,223	A	1/1985 Kishi et al.	D414,093	S	9/1999 Zurwelle
4,523,115	A	6/1985 Cuneo	5,954,144	A	9/1999 Thames
D280,797	S	10/1985 Sakamoto et al.	5,984,020	A	11/1999 Meyer et al.
D280,883	S	10/1985 Sakamoto et al.	5,992,257	A	11/1999 Nemetz et al.
4,574,471	A	3/1986 Dibbern, Jr. et al.	D421,883	S *	3/2000 Watson et al. D8/68
4,581,499	A	4/1986 Cousins	D428,320	S *	7/2000 Ohi et al. D8/68
4,588,910	A	5/1986 Bausch	6,102,632	A	8/2000 Potter et al.
4,677,362	A	6/1987 House, II et al.	6,161,256	A	12/2000 Quiring et al.
4,682,066	A	7/1987 Abbratozzato et al.	D436,819	S	1/2001 Liu
4,682,918	A	7/1987 Palm	D437,760	S	2/2001 Izumisawa
4,710,071	A	12/1987 Koehler et al.	6,193,125	B1	2/2001 Grover
D295,141	S	4/1988 Hoshino et al.	6,308,378	B1 *	10/2001 Mooty et al. 310/50
4,736,742	A	4/1988 Alexson et al.	6,321,622	B1	11/2001 Tsuge et al.
D296,072	S	6/1988 Mochida	6,334,743	B1	1/2002 Liao
4,751,452	A	6/1988 Kilmer et al.	6,364,580	B1	4/2002 Dils et al.
4,776,406	A	10/1988 Wanner	D460,907	S *	7/2002 Geis D8/68
4,791,833	A	12/1988 Sakai et al.	D496,843	S *	10/2004 Sugawara et al. D8/68
4,793,054	A	12/1988 Abbratozzato et al.	D506,914	S *	7/2005 Okuda D8/68
4,820,090	A	4/1989 Chen	6,979,155	B2	12/2005 Dils et al.
4,823,885	A	4/1989 Okumura	D515,381	S *	2/2006 Ng D8/68
4,847,451	A	7/1989 Nagata	7,063,201	B2	6/2006 Nakamura et al.
D304,287	S	10/1989 Zurwelle	D548,557	S *	8/2007 Waldron D8/68
4,892,013	A	1/1990 Satoh	2002/0110431	A1 *	8/2002 Dils et al. 408/16
D307,279	S	4/1990 Vincent	2005/0016333	A1	1/2005 Compton
4,958,840	A	9/1990 Palm	2006/0104735	A1	5/2006 Zeiler et al.
4,968,191	A	11/1990 Palm	2006/0119318	A1 *	6/2006 Serdynski et al. 320/114
4,974,475	A	12/1990 Lord et al.			
4,978,877	A	12/1990 Quirijnen			
D315,282	S	3/1991 Schmidt et al.			
4,998,589	A	3/1991 Wiesendanger			
D316,021	S	4/1991 Bunyea			
5,011,341	A	4/1991 DeGroff			
5,019,023	A	5/1991 Kurosawa			
D319,763	S	9/1991 Reiferscheid			
5,049,012	A	9/1991 Cavedo			
5,055,417	A	10/1991 Akcasu			
D323,961	S	2/1992 Fushiya et al.			
5,089,729	A	2/1992 Moores, Jr.			
D325,861	S	5/1992 Saito et al.			
D328,411	S	8/1992 Cavedo			
5,169,225	A	12/1992 Palm			
5,207,697	A	5/1993 Carusillo et al.			
D337,710	S	7/1993 Lui et al.			

FOREIGN PATENT DOCUMENTS

DE	3235544	A1	3/1984
DE	3234571	A1	1/1985
DE	3525208	A1	1/1986
DE	3731079		3/1989
DE	8912224	U	12/1990
DE	4116343	A1	11/1992
DE	4441258	A1	5/1996
DE	29918950	U	1/2000
EP	0321594	A1	6/1989
EP	1125698	A2	8/2001
FR	2441454		6/1980
GB	2041271	S *	3/1994
GB	2104051	S *	2/2001
GB	3010404		1/2003

JP 61288909 A 12/1986

OTHER PUBLICATIONS

Makita, Cordless Power Tool Accessories, 1235F—12V (3.0Ah) Ni-MH Battery with L.E.D. Light, http://www.makita.com/Accessories_Item_Vies.asp?Id=85, webpage visted Feb. 25, 2003.

Makita, Cordless Power Tool Accessories, 1235F—12V (3.0Ah) Ni-MHBattery with L.E.D. Light, http://www.makita.com/Accessories_Image_View.asp?Id=85, webpage visited Feb. 25, 2003.

Makita, ISO 9002 Certified, 1997 Pocket Catalog, 999CAT2, PC-597-150M, MA-0217-97.

Milwaukee Electric Tool. ISO 9001 Certified Catalog 1997, CAT-1997/3-97/DLZ.

Hitachi, DV18DV 18 Volt ½" Cordless Hammer Drill, publicly available before Jan. 6, 2006, 1 page.

Hitachi Power Tools, ¾" Driver Drill with Case FDS10DVA, publicly available before Jan. 6, 2006, 3 pages.

* cited by examiner

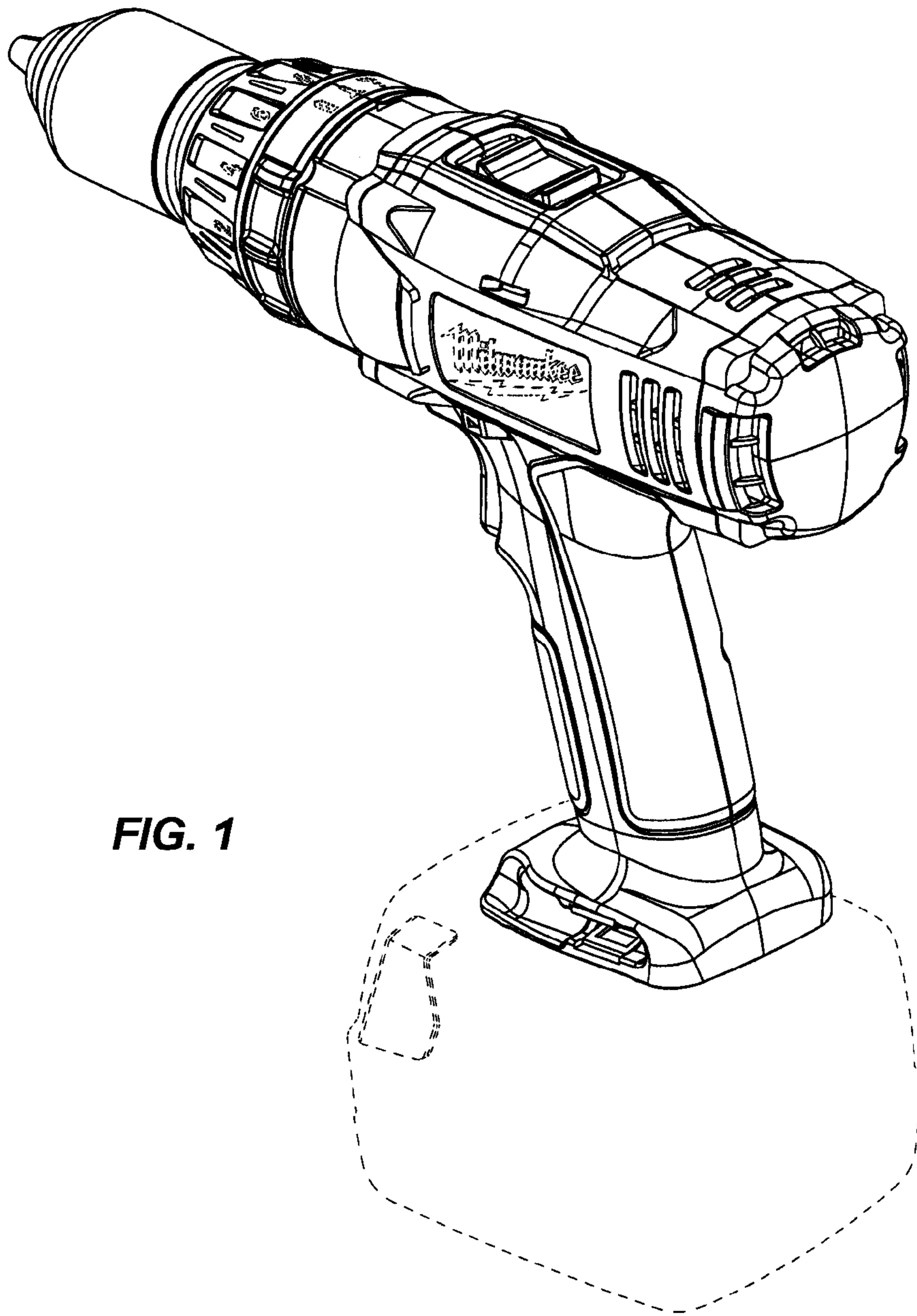


FIG. 1

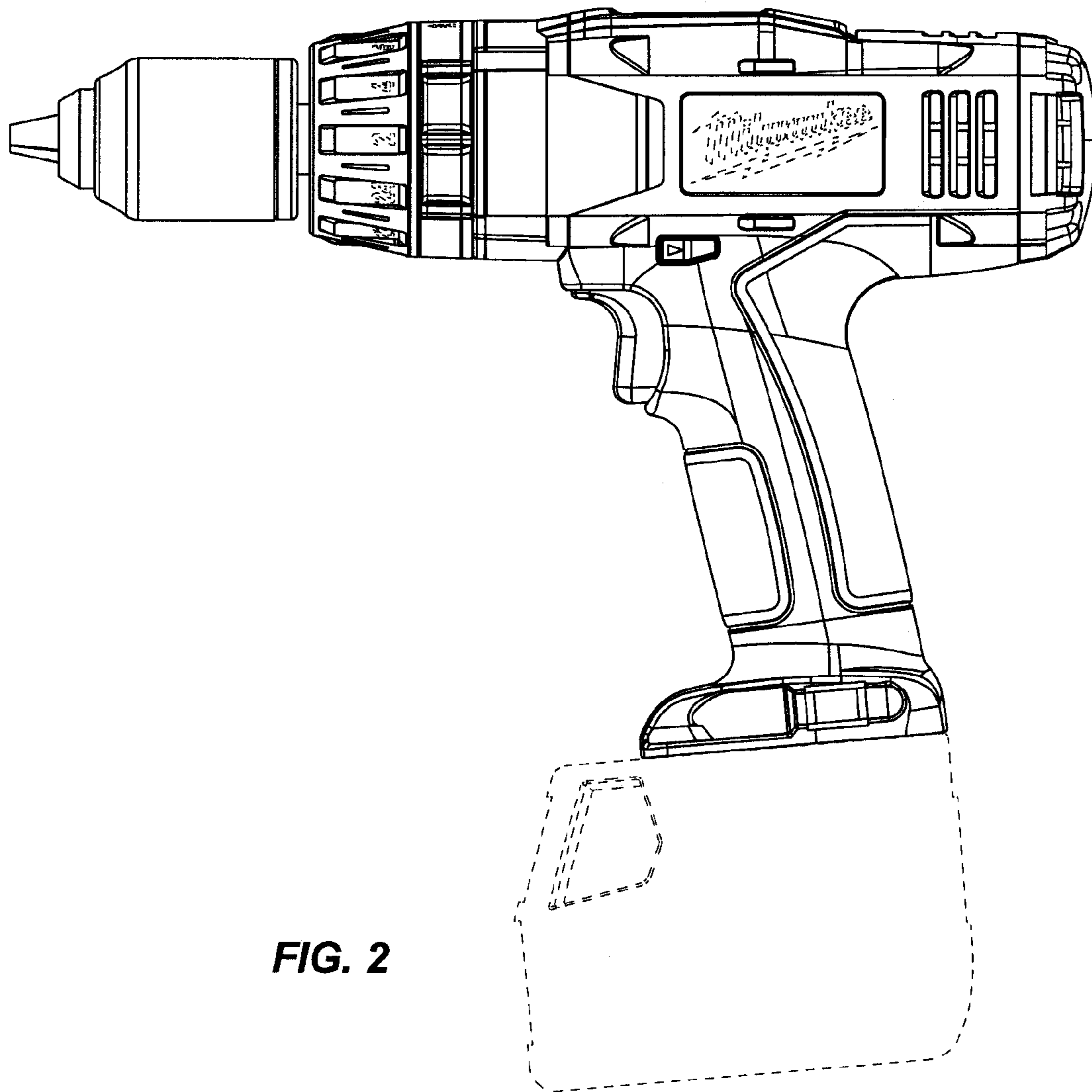


FIG. 2

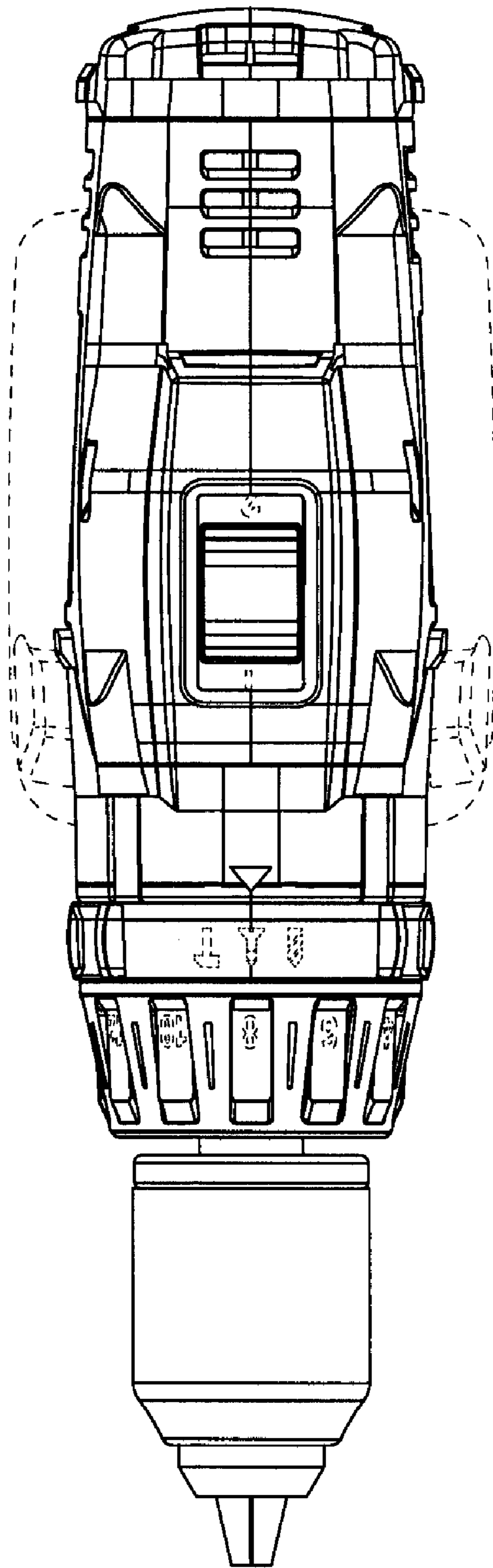


FIG. 3

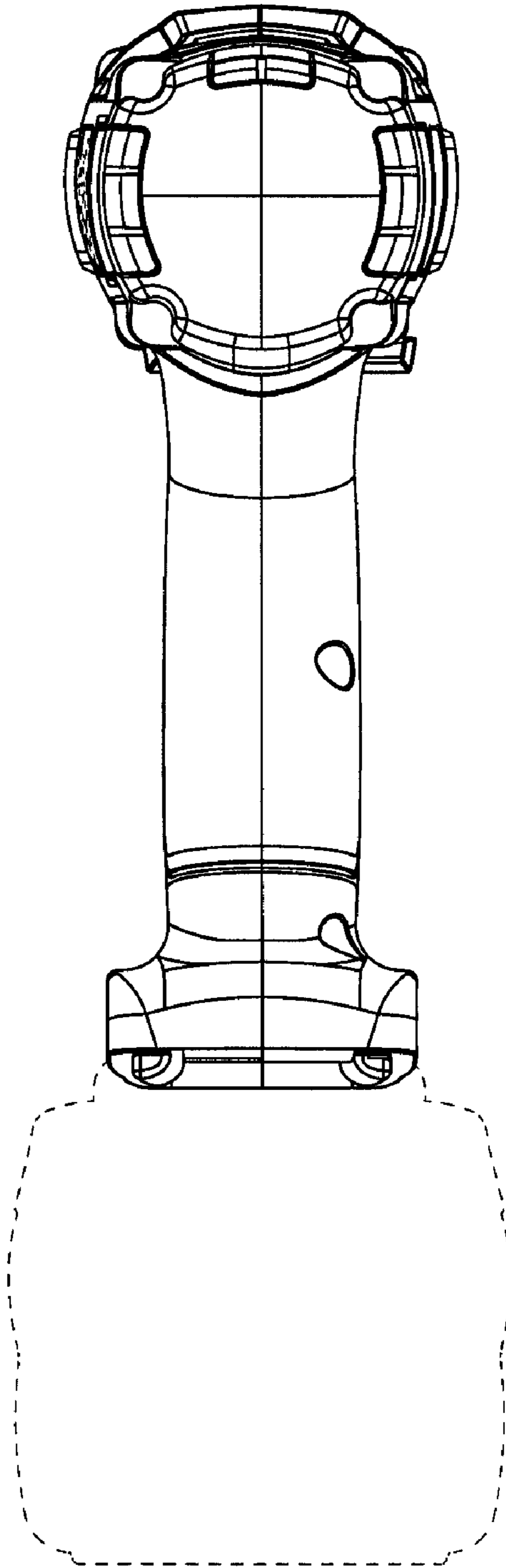


FIG. 4