



US00D580723S

(12) **United States Design Patent**
Concari

(10) **Patent No.:** **US D580,723 S**
(45) **Date of Patent:** **** Nov. 18, 2008**

(54) **GRINDER**
(75) Inventor: **Gabriel Concari**, Eldersburg, MD (US)
(73) Assignee: **Black & Decker Inc.**, Newark, DE (US)
(**) Term: **14 Years**
(21) Appl. No.: **29/288,460**
(22) Filed: **Jun. 12, 2007**

DE M 98 00 714.9 1/1998
DE 49908004.1 8/1999
DE 400 06 303.4 6/2000
DE 402 00 071.4 7/2001
EM 000124854-0001 4/2004
EP 000462866-001 2/2006

* cited by examiner

Primary Examiner—Cathron Brooks
Assistant Examiner—Austin Murphy
(74) *Attorney, Agent, or Firm*—Michael Aronoff; Adan Ayala

(51) **LOC (8) Cl.** **08-01**
(52) **U.S. Cl.** **D8/62**
(58) **Field of Classification Search** D8/69,
D8/67, 62, 61; 173/168; 451/294, 344, 351,
451/359, 358, 357, 356, 354, 353
See application file for complete search history.

(57) **CLAIM**

The ornamental design for a grinder, as shown and described.

(56) **References Cited**

U.S. PATENT DOCUMENTS

D295,824 S * 5/1988 Hoshino et al. D8/62
D305,399 S * 1/1990 Fushiya et al. D8/62
D347,153 S * 5/1994 Uneyama D8/62
D378,183 S * 2/1997 Dognini D8/62
D393,402 S 4/1998 Kikuchi et al.
D421,558 S 3/2000 Shigo et al.
D468,179 S 1/2003 Hayakawa et al.
D479,452 S 9/2003 Cho
D482,943 S 12/2003 Chunn et al.
6,716,095 B1 * 4/2004 Hsu et al. 451/358
D497,296 S * 10/2004 Krondorfer et al. D8/62
D506,662 S 6/2005 Watson
D527,966 S * 9/2006 Hayakawa et al. D8/62
D540,638 S * 4/2007 Concari D8/62

FOREIGN PATENT DOCUMENTS

DE M 95 06 846.5 3/1995
DE M 97 00 123.6 7/1996
DE M 97 07 886.7 8/1997

DESCRIPTION

FIG. 1 is a perspective view of a first embodiment of a grinder showing the new design.

FIG. 2 is a front view thereof.

FIG. 3 is a rear view thereof.

FIG. 4 is a left side view thereof.

FIG. 5 is a right side view thereof.

FIG. 6 is a top view thereof.

FIG. 7 is a bottom view thereof.

FIG. 8 is a perspective view of a second embodiment of a grinder showing the new design.

FIG. 9 is a front view thereof.

FIG. 10 is a rear view thereof.

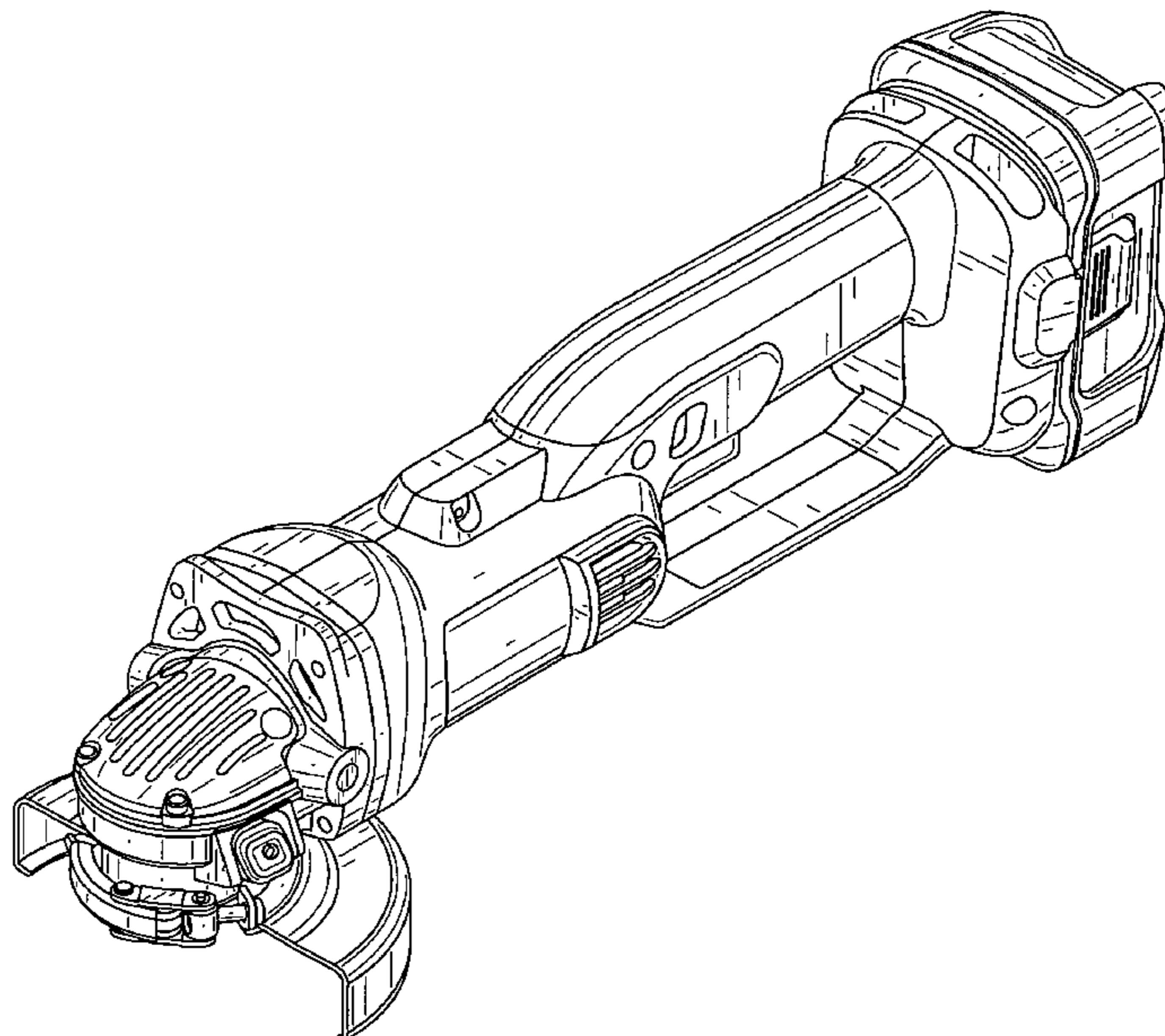
FIG. 11. is a left side view thereof.

FIG. 12 is a right side view thereof.

FIG. 13 is a top view thereof; and,

FIG. 14 is a bottom view thereof.

1 Claim, 12 Drawing Sheets



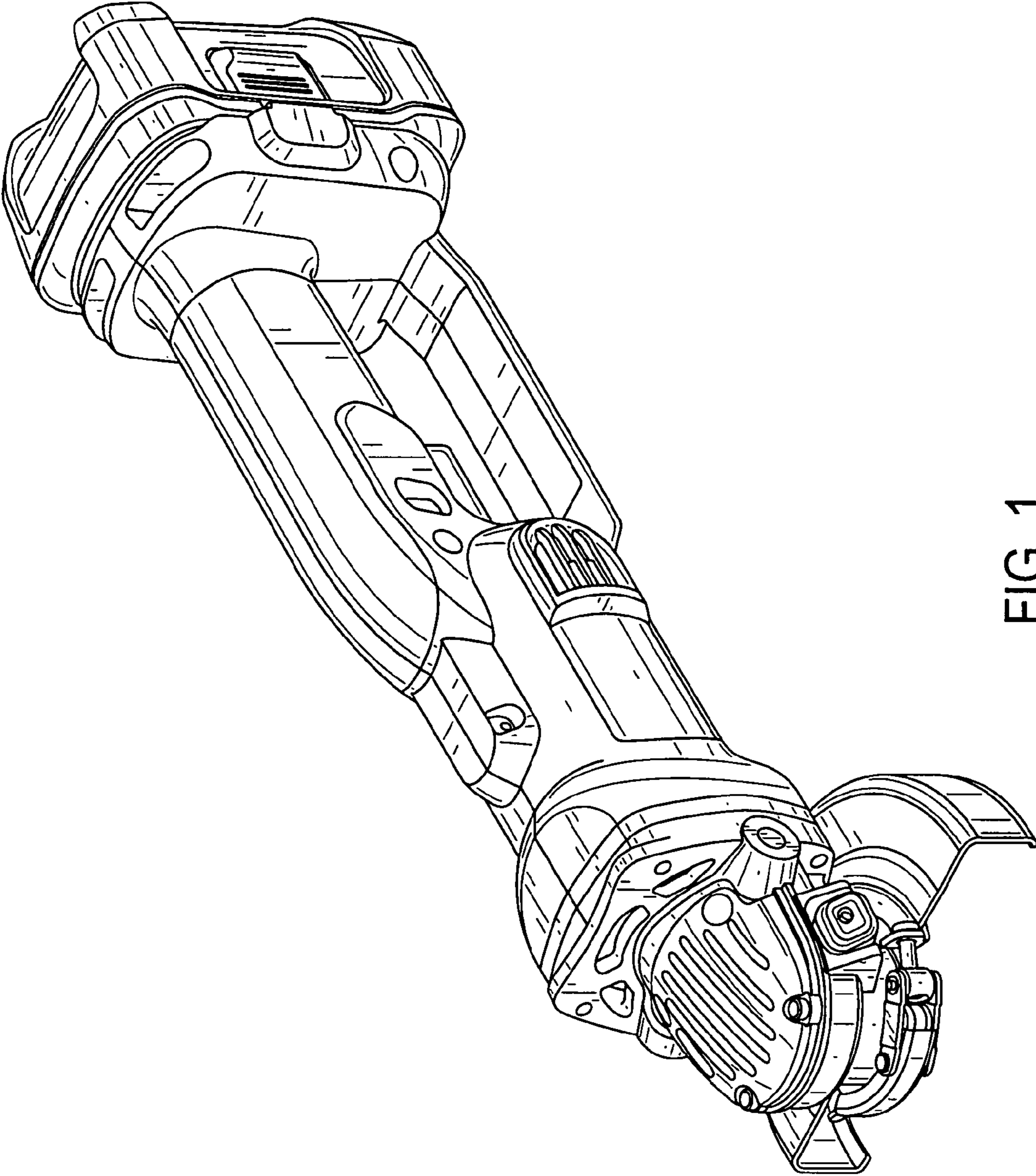


FIG. 1

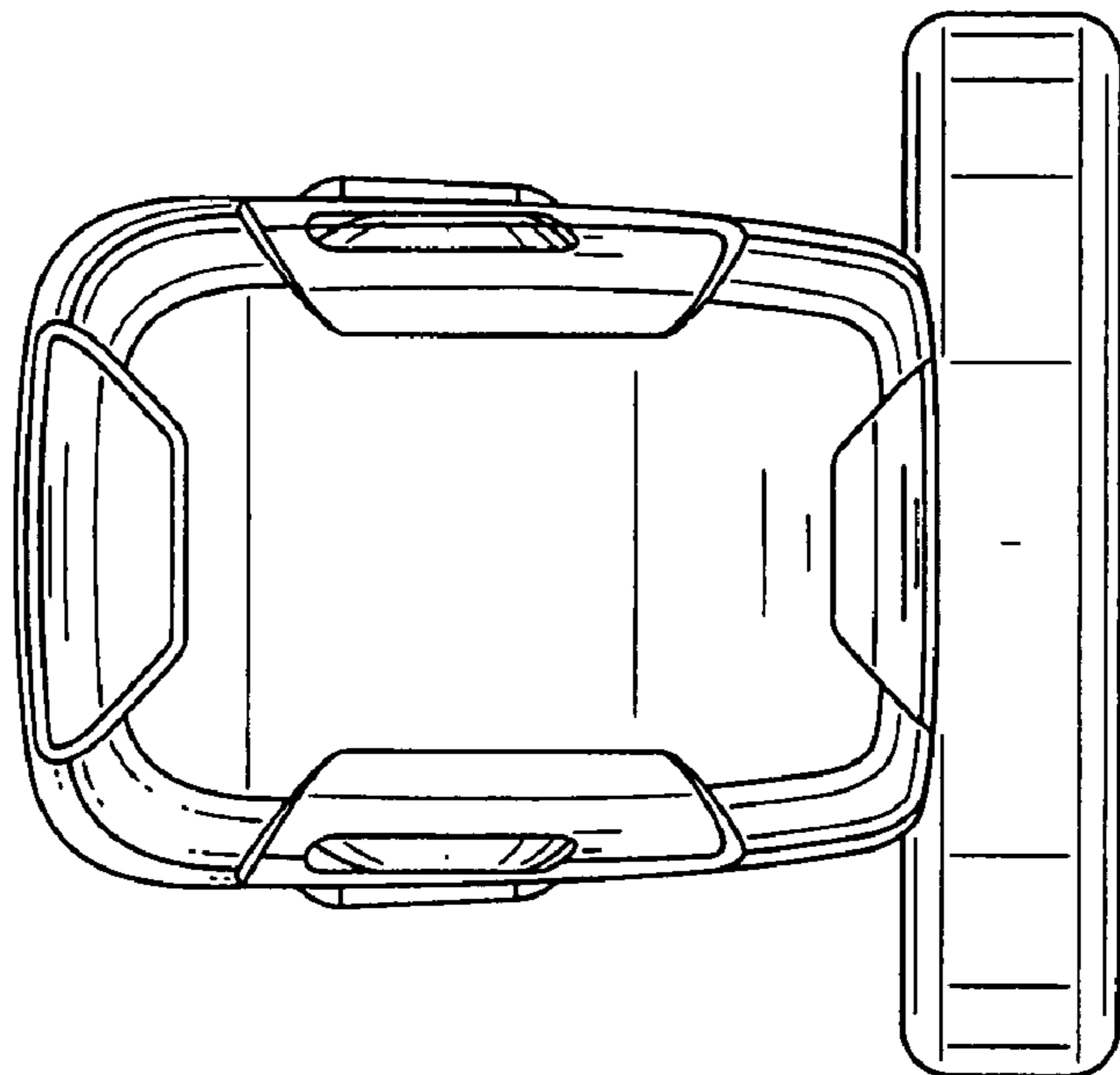


FIG. 3

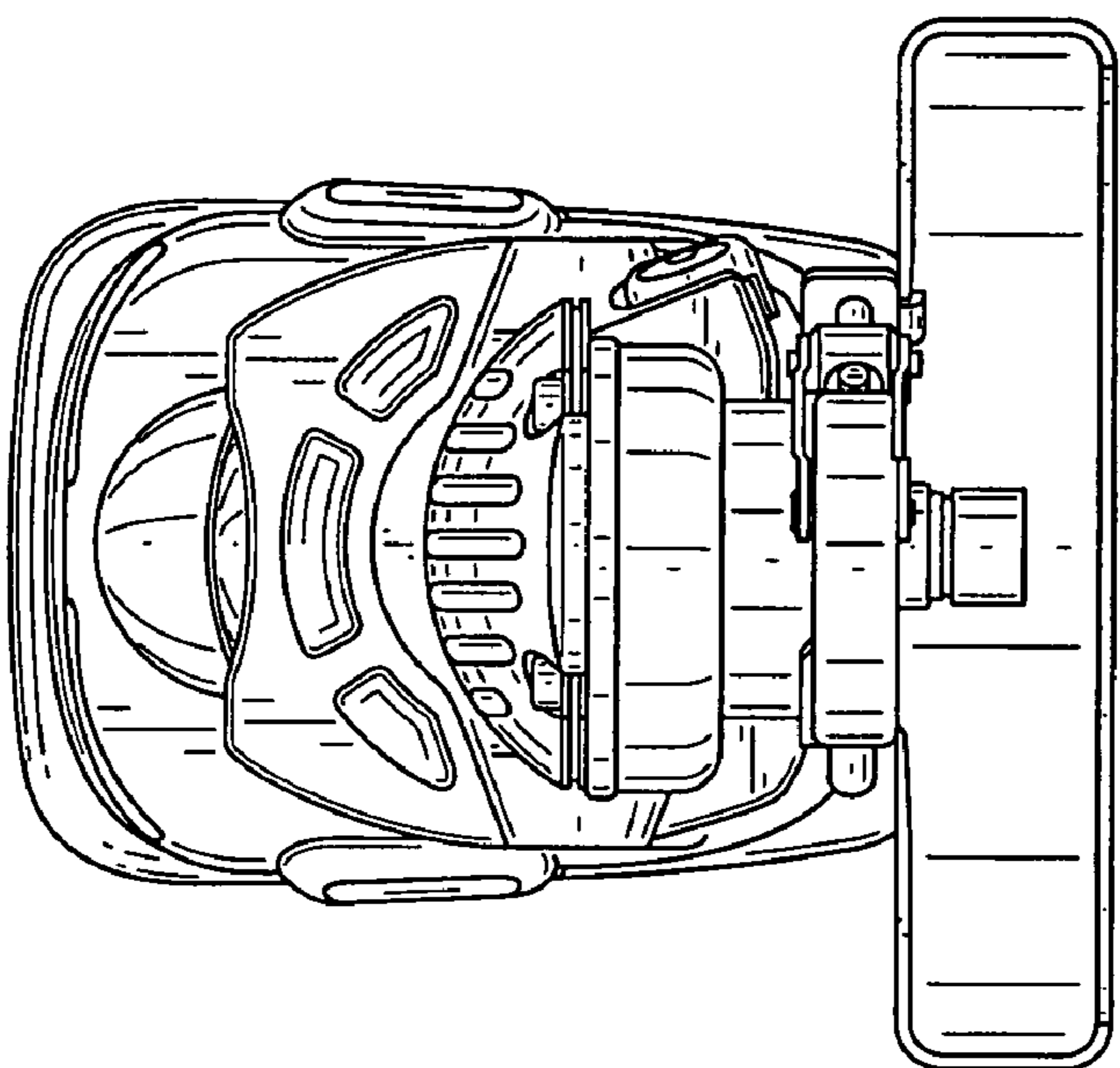


FIG. 2

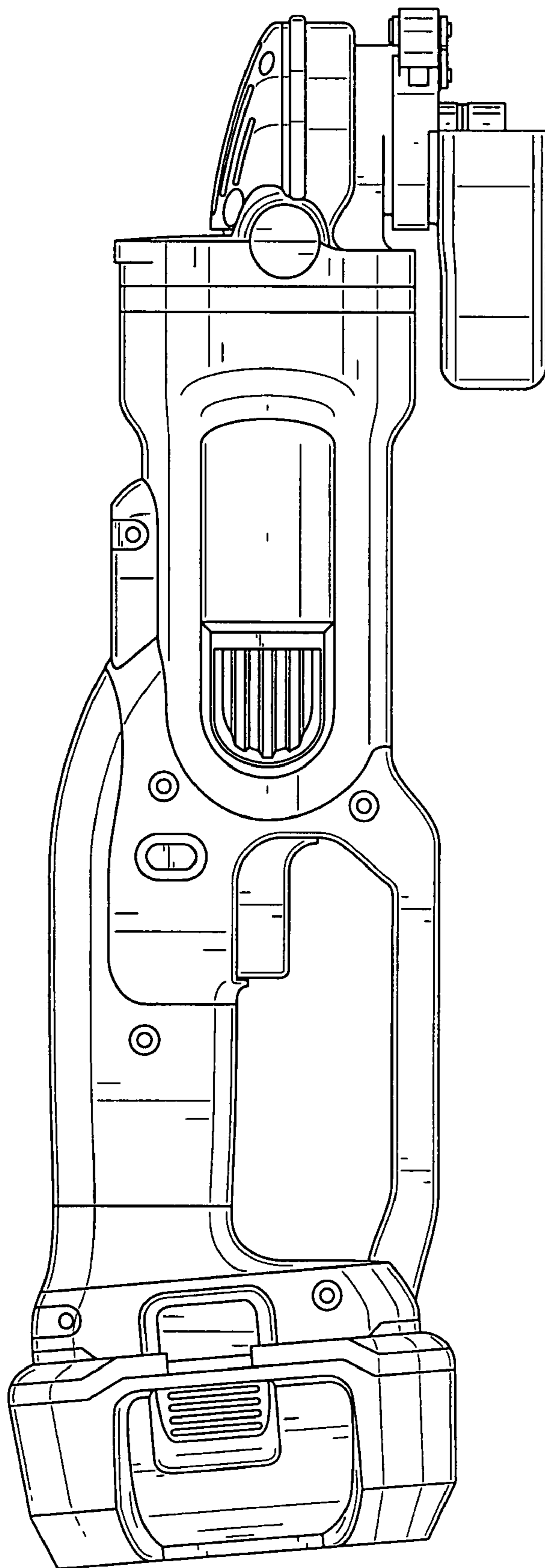


FIG. 4

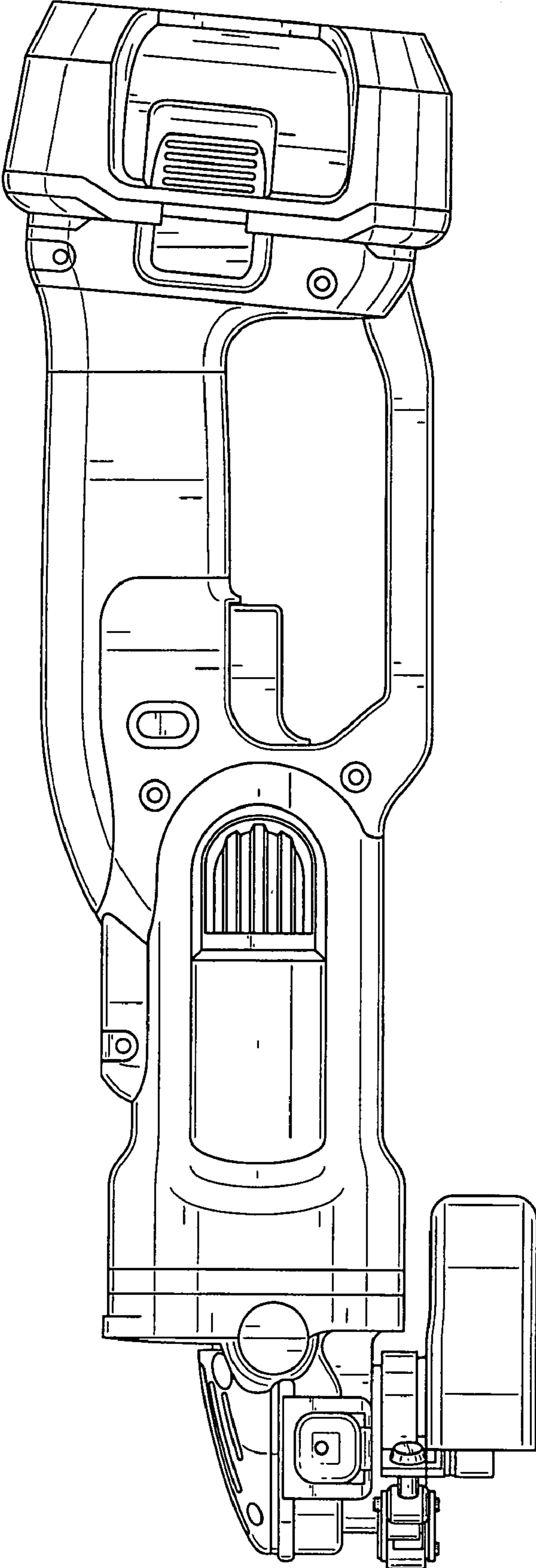


FIG. 5

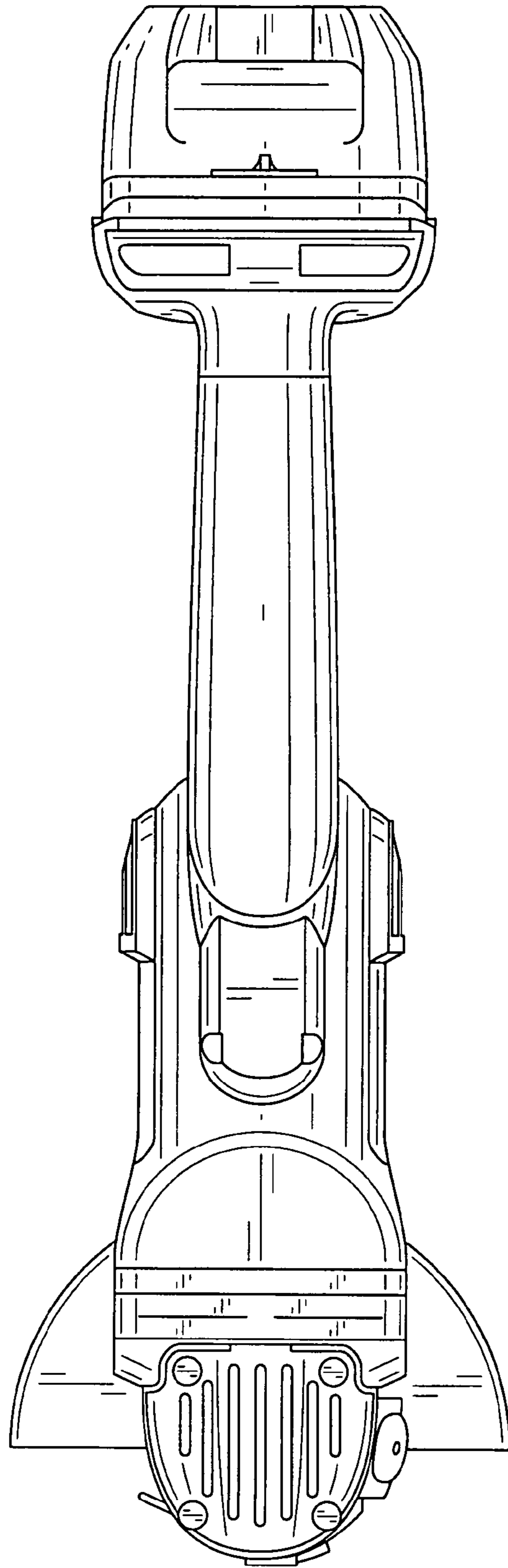


FIG. 6

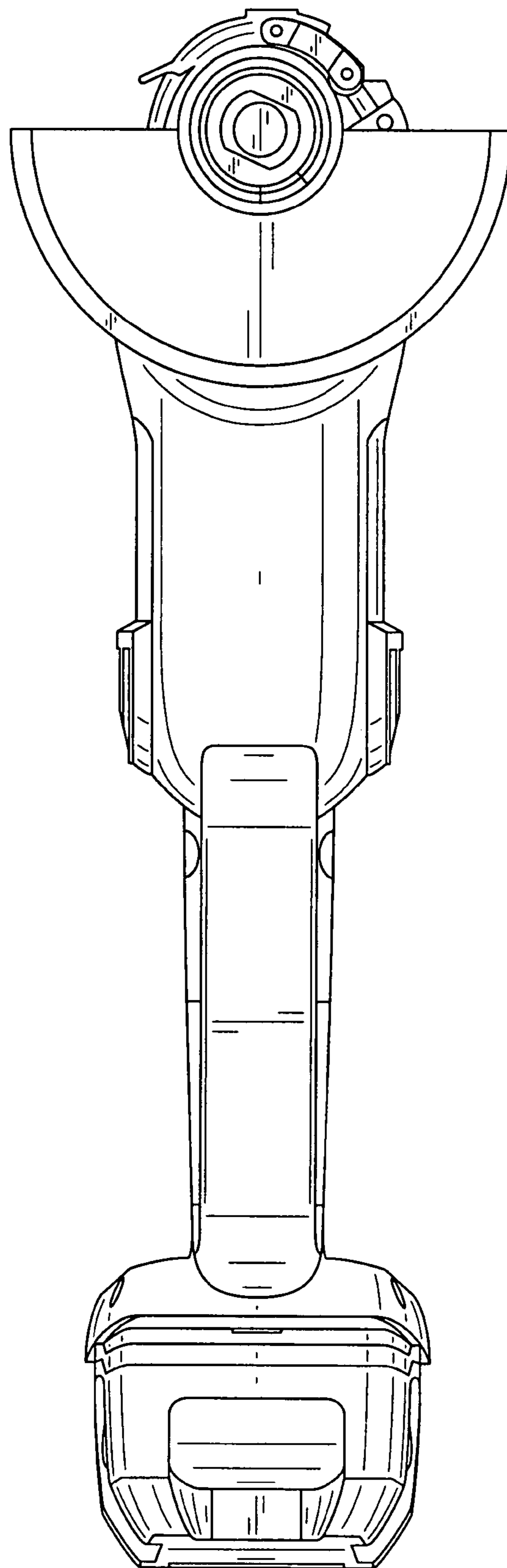


FIG. 7

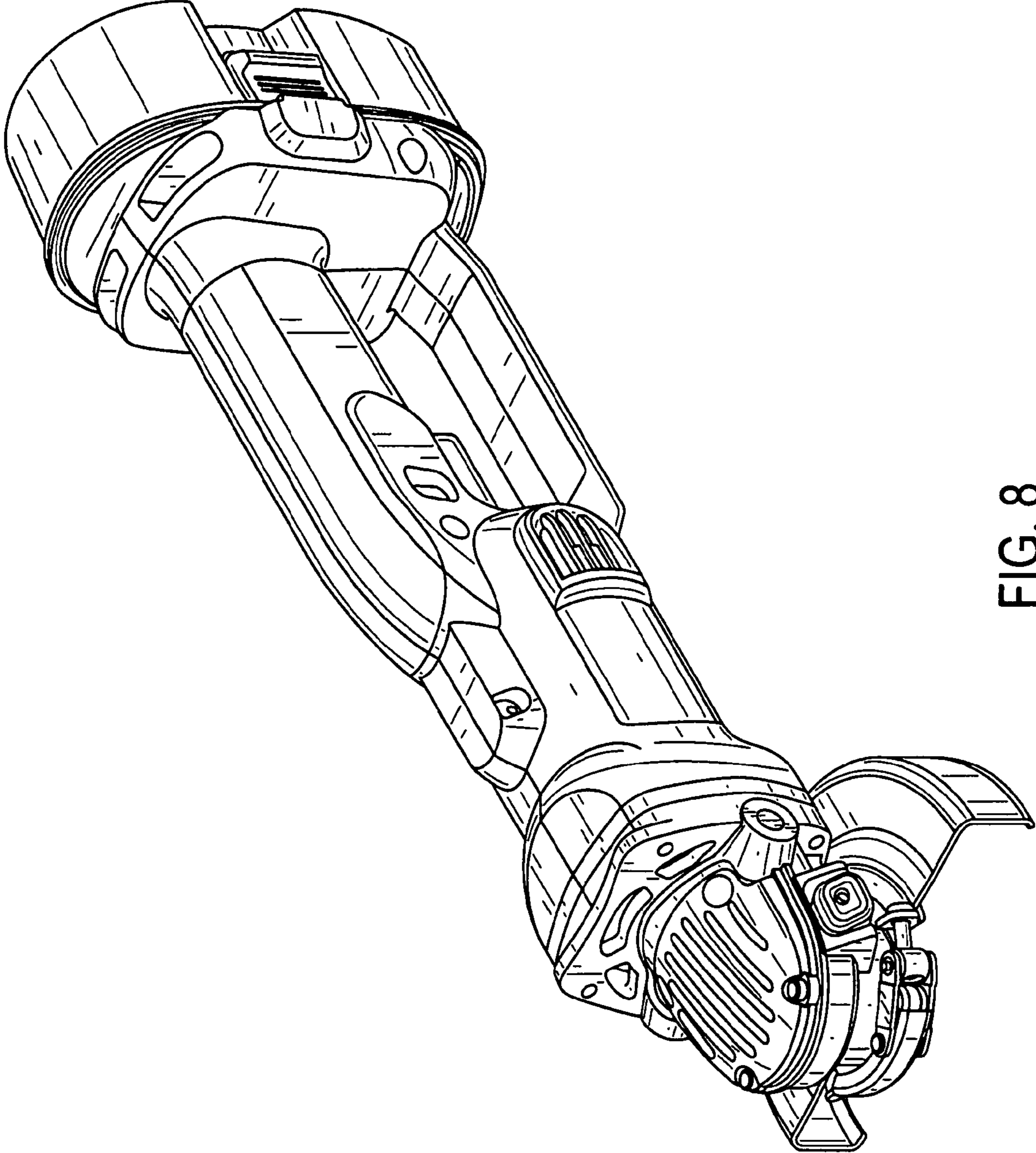


FIG. 8

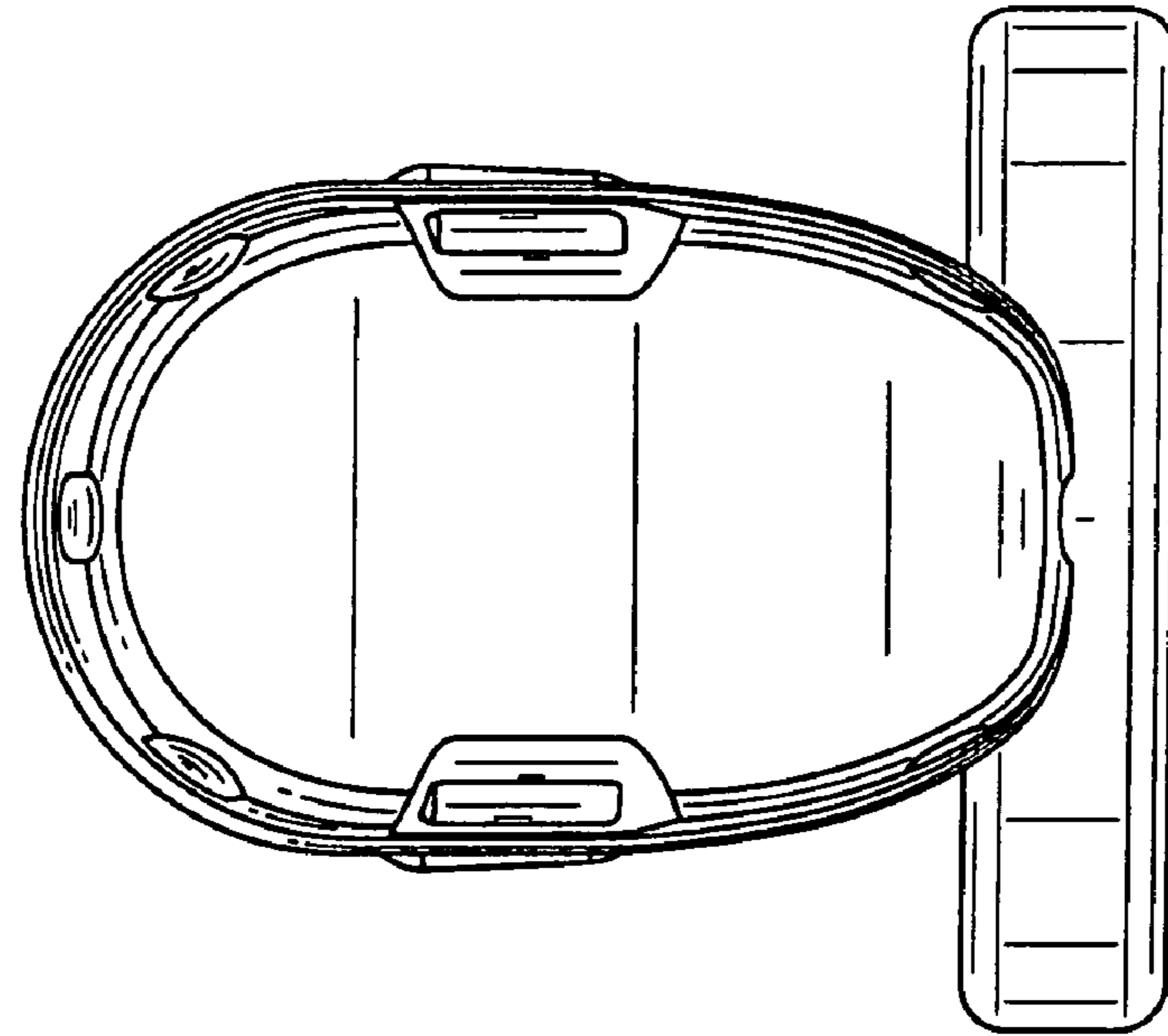


FIG. 10

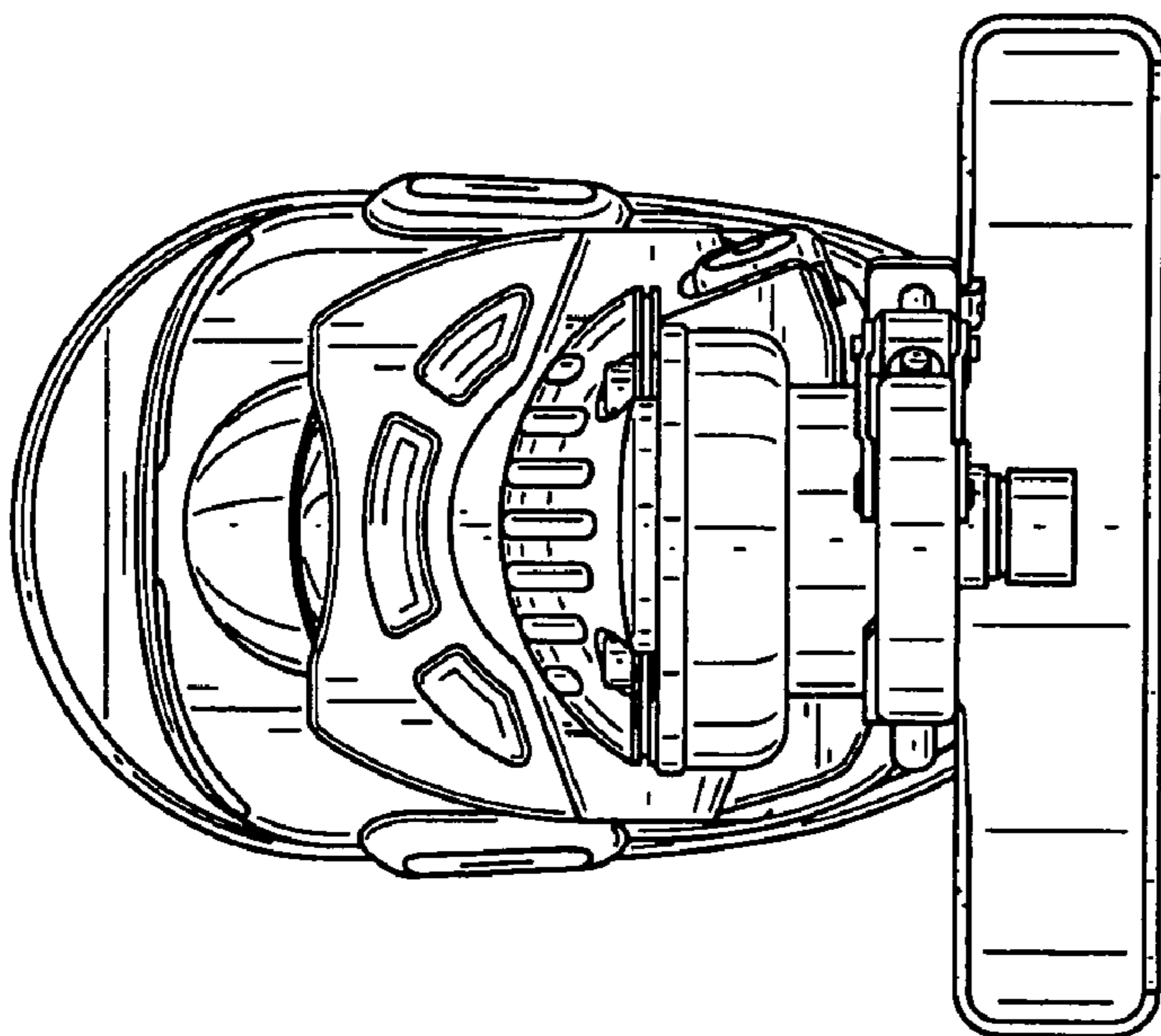


FIG. 9

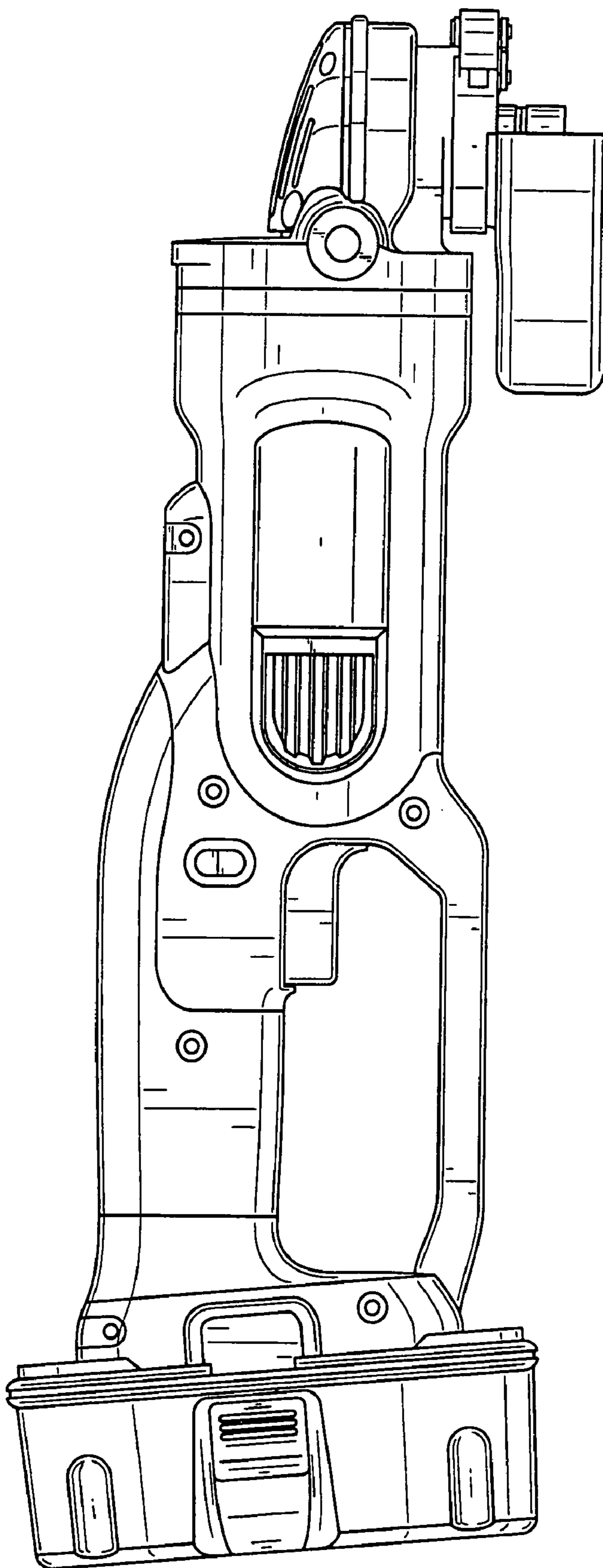


FIG. 11

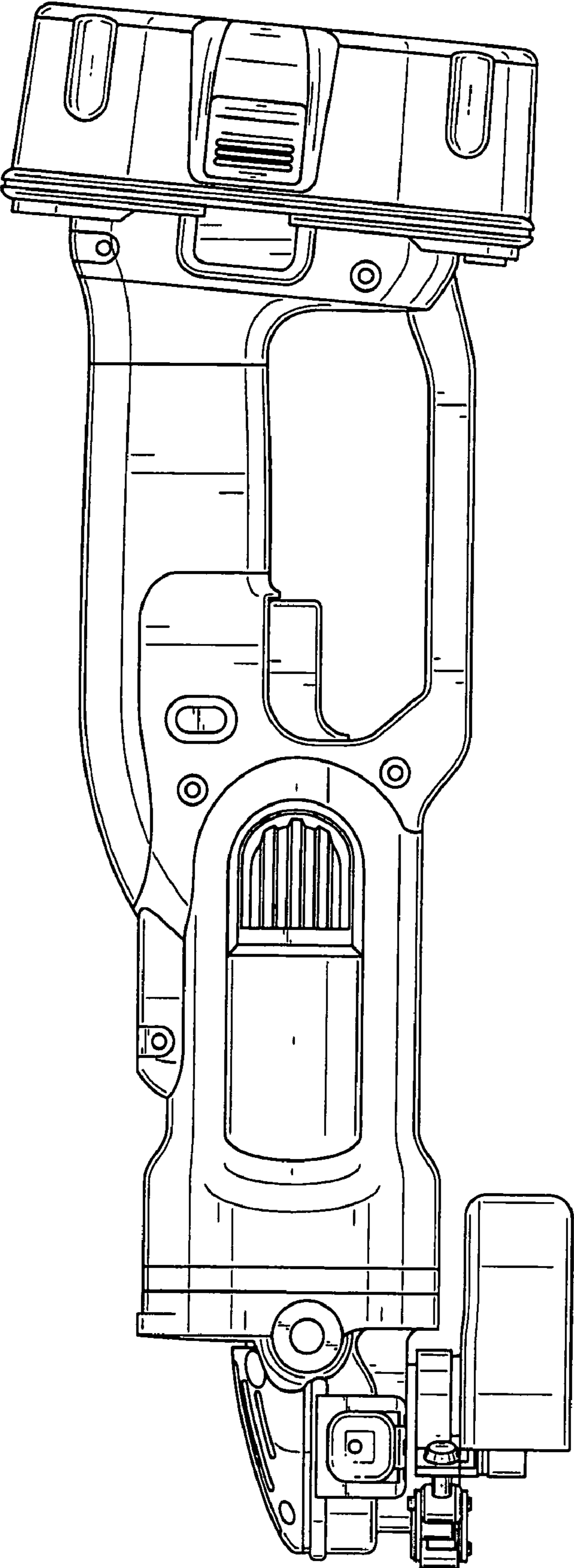


FIG. 12

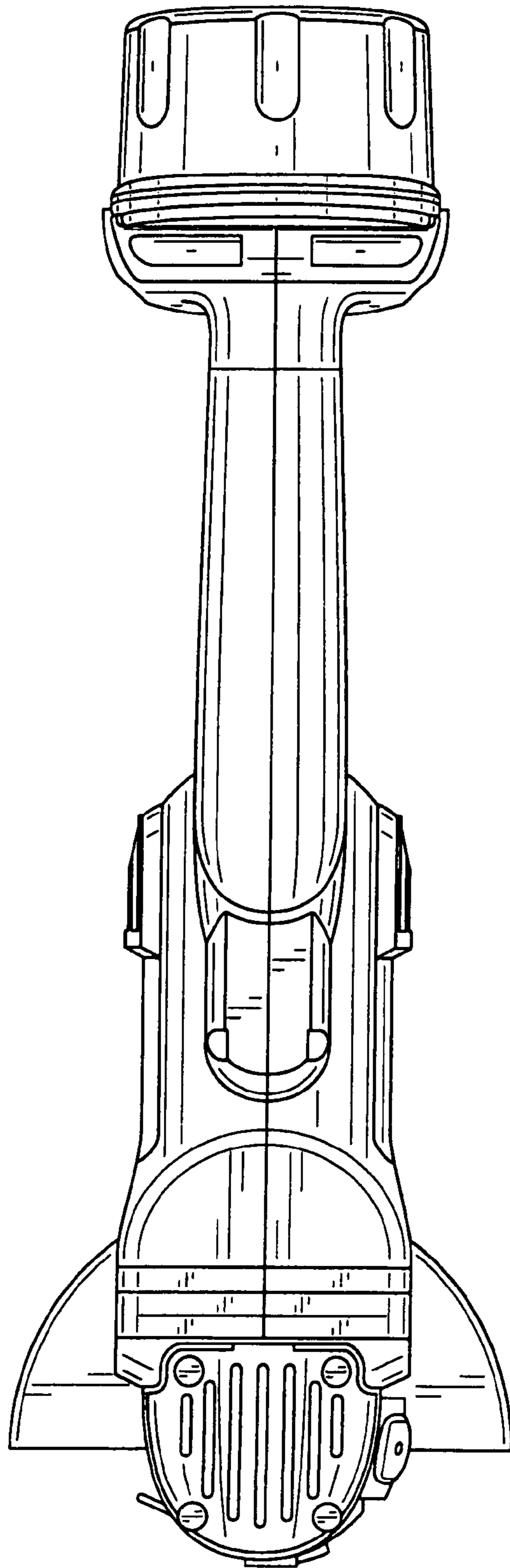


FIG. 13

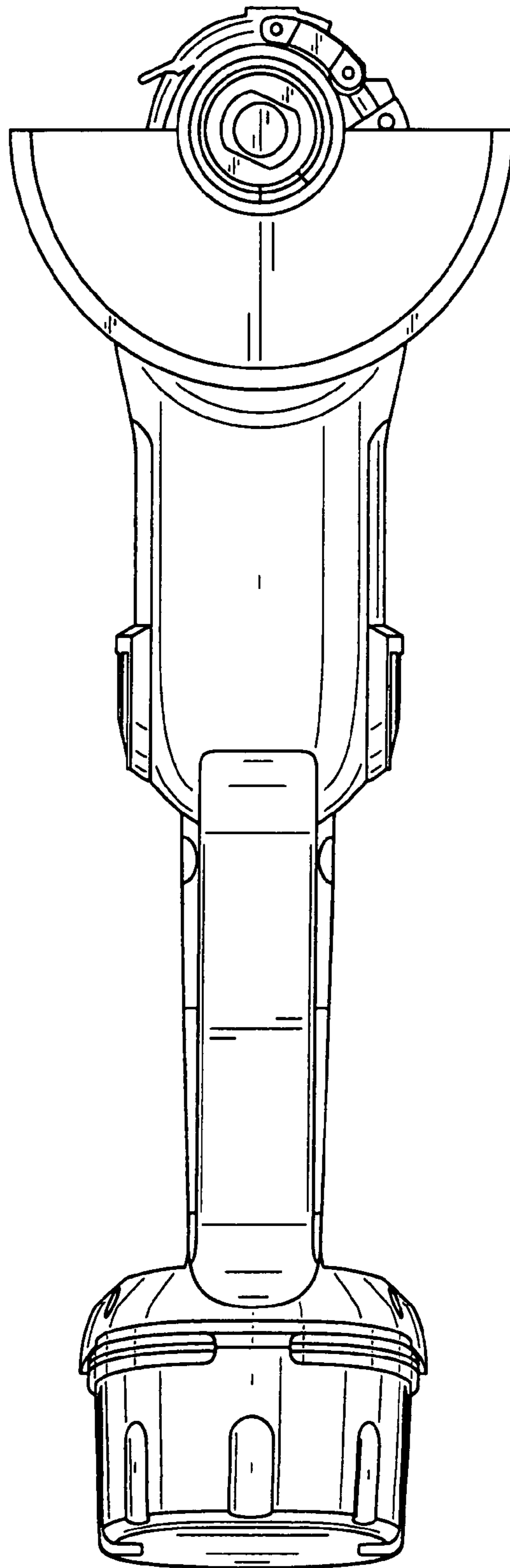


FIG. 14