



US00D580722S

(12) **United States Design Patent**
Chi

(10) **Patent No.:** **US D580,722 S**

(45) **Date of Patent:** **** Nov. 18, 2008**

(54) **PRECISION SCREWDRIVER**

(76) **Inventor:** **Li-Lien Chi**, No. 70, Datong 6th St.
Wurih Township, Taichung County 414
(TW)

(**) **Term:** **14 Years**

(21) **Appl. No.:** **29/250,172**

(22) **Filed:** **Nov. 6, 2006**

(51) **LOC (8) CL.** **08-05**

(52) **U.S. CL.** **D8/61**

(58) **Field of Classification Search** D8/67,
D8/62, 61, 70, 82; D4/102; 81/177.4, 181;
409/181; 173/217, 178; 451/344
See application file for complete search history.

(56) **References Cited**

U.S. PATENT DOCUMENTS

4,721,169	A *	1/1988	Nagasawa et al.	173/178
D303,205	S *	9/1989	Gierke et al.	D8/61
D304,543	S *	11/1989	Somers et al.	D8/61
D308,622	S *	6/1990	Fushiya et al.	D8/61
D341,531	S *	11/1993	Nagano et al.	D8/61
5,310,010	A *	5/1994	Lo 173/178	
D380,658	S *	7/1997	Bruno et al.	D8/61
D391,820	S *	3/1998	Bunyea 173/178	
D418,729	S *	1/2000	Snider 173/178	
D423,897	S *	5/2000	Cooper 173/178	
D466,776	S *	12/2002	Hsiao 173/178	
D467,146	S *	12/2002	Chunn et al.	D8/61
D470,374	S *	2/2003	Murray 173/178	
D472,779	S *	4/2003	Chunn et al.	D8/61
D474,086	S *	5/2003	Heun 173/178	

D487,383	S *	3/2004	Ng 173/178		D8/61
D491,031	S *	6/2004	Davis et al.		D8/61
6,817,424	B1 *	11/2004	Su et al.		173/217
D502,071	S *	2/2005	Snider 173/178		D8/61
7,021,181	B1 *	4/2006	Chi 173/178		81/490
7,305,908	B2 *	12/2007	Chi 173/178		81/177.4
2005/0152759	A1 *	7/2005	Allemann et al.		409/181
2007/0227312	A1 *	10/2007	Chi 173/178		81/177.4

* cited by examiner

Primary Examiner—Cathron Brooks
Assistant Examiner—Austin Murphy
(74) *Attorney, Agent, or Firm*—Banger Shia

(57) **CLAIM**

The ornamental design for a precision screwdriver, as shown and described.

DESCRIPTION

FIG. 1 is a perspective view of a precision screwdriver showing my new design;

FIG. 2 is a front elevational view thereof;

FIG. 3 is a rear elevational view thereof;

FIG. 4 is a left side elevational view thereof;

FIG. 5 is a right side elevational view thereof;

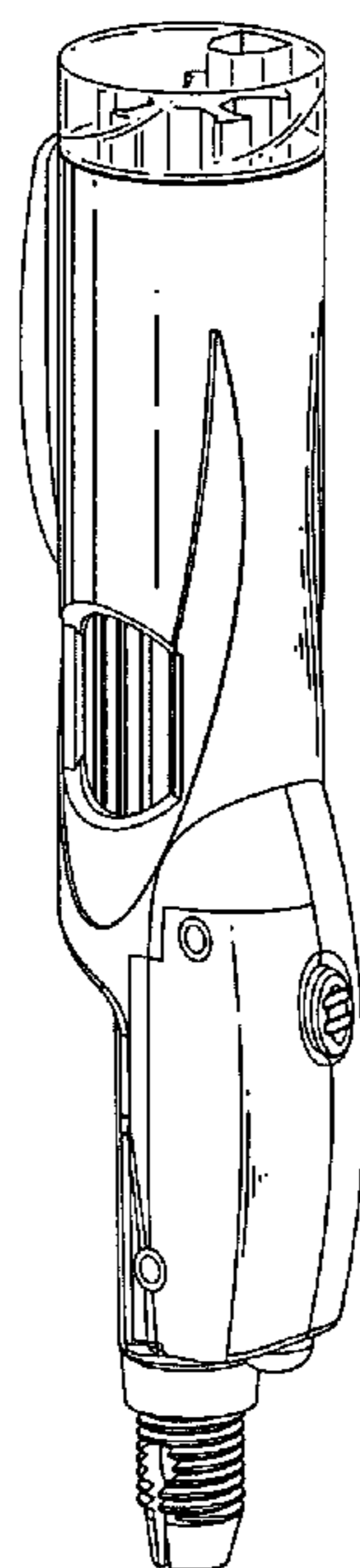
FIG. 6 is a top plan view thereof; and

FIG. 7 is a bottom plan view to that shown; and,

FIG. 8 is a perspective view of a precision screwdriver.

The broken lines shown in the drawings form no part of the claimed design.

1 Claim, 5 Drawing Sheets



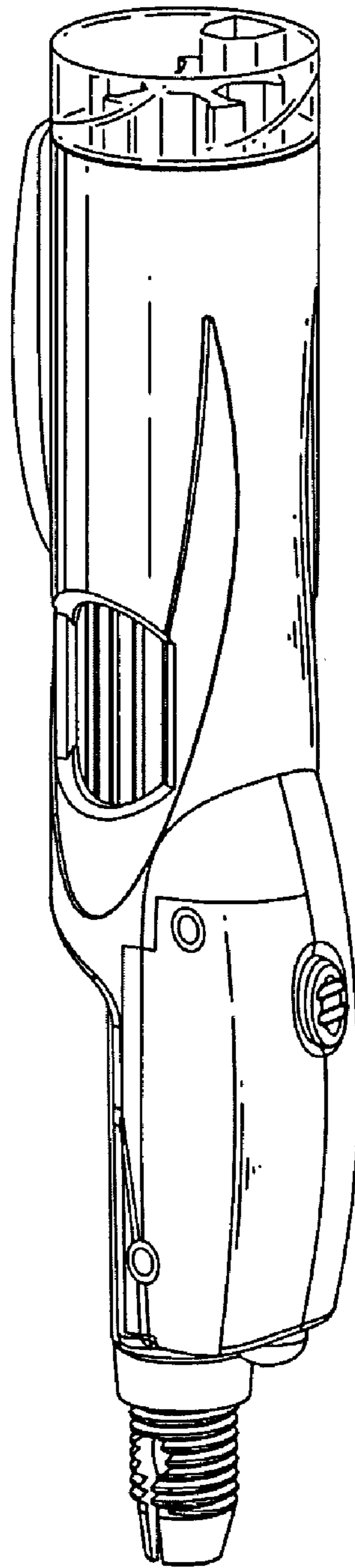


FIG. 1

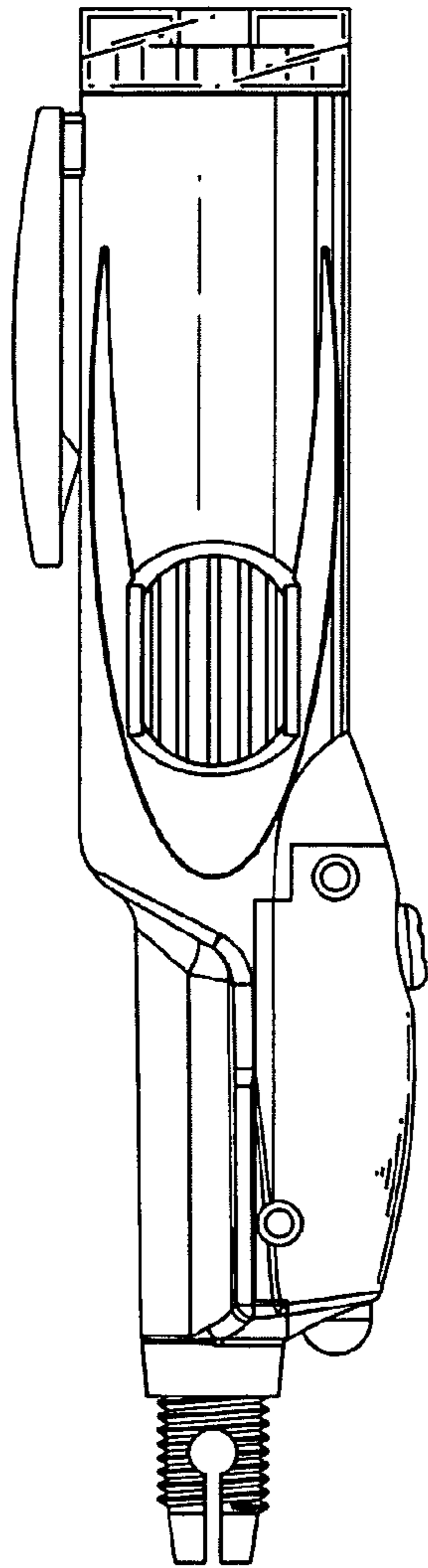


FIG. 2

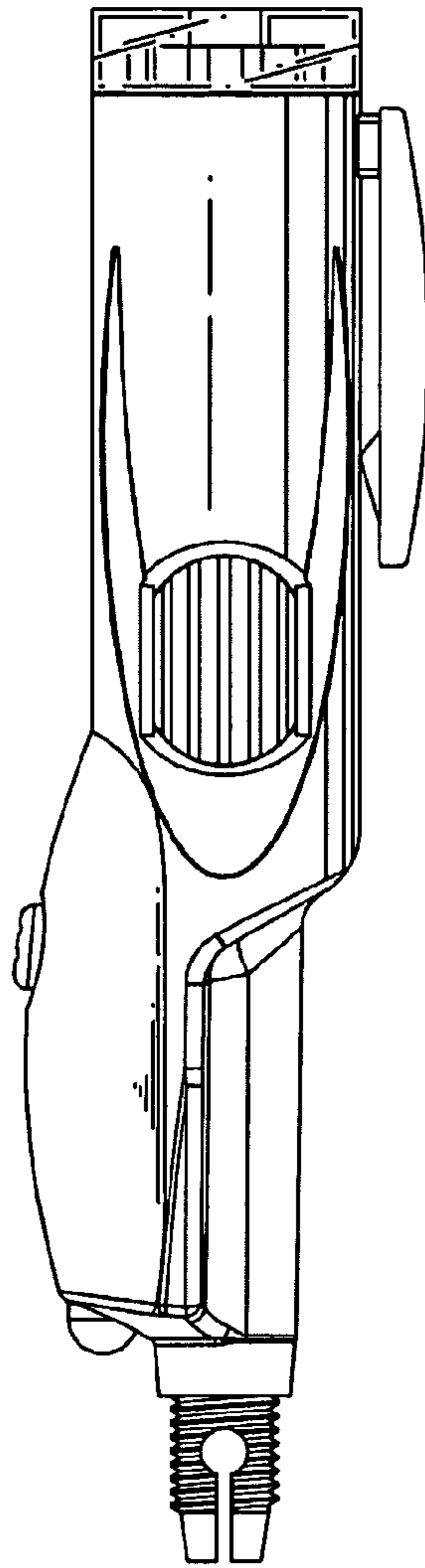


FIG. 3

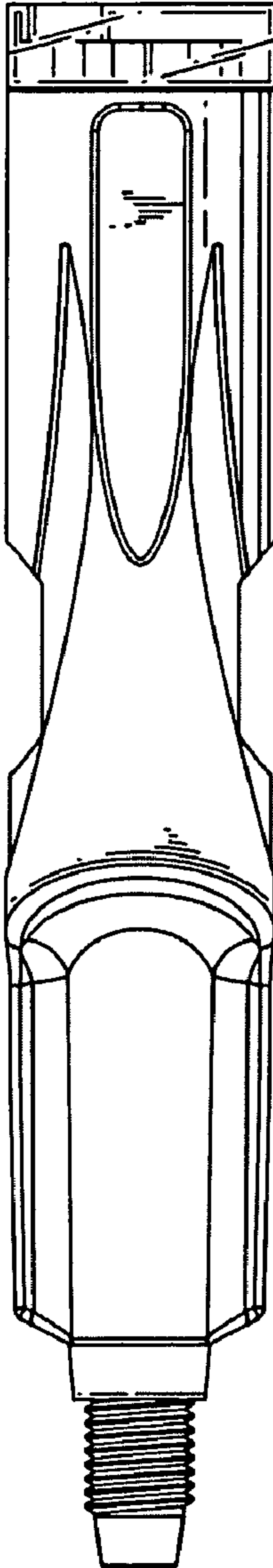


FIG. 4

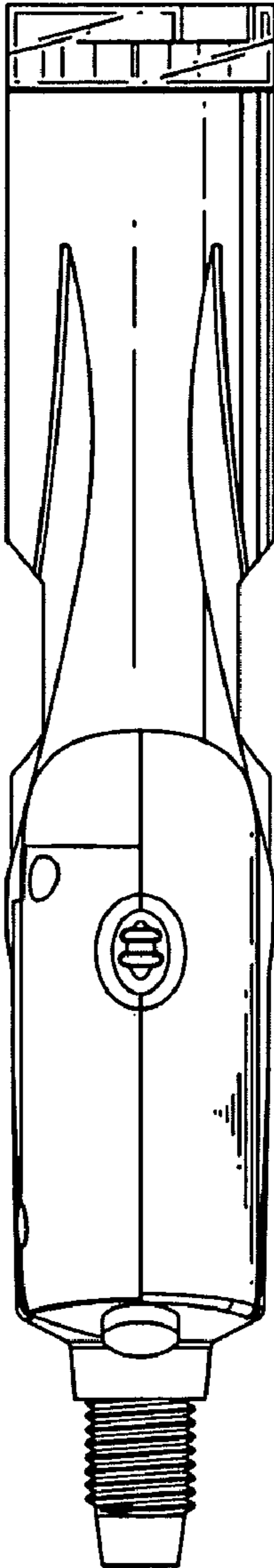


FIG. 5

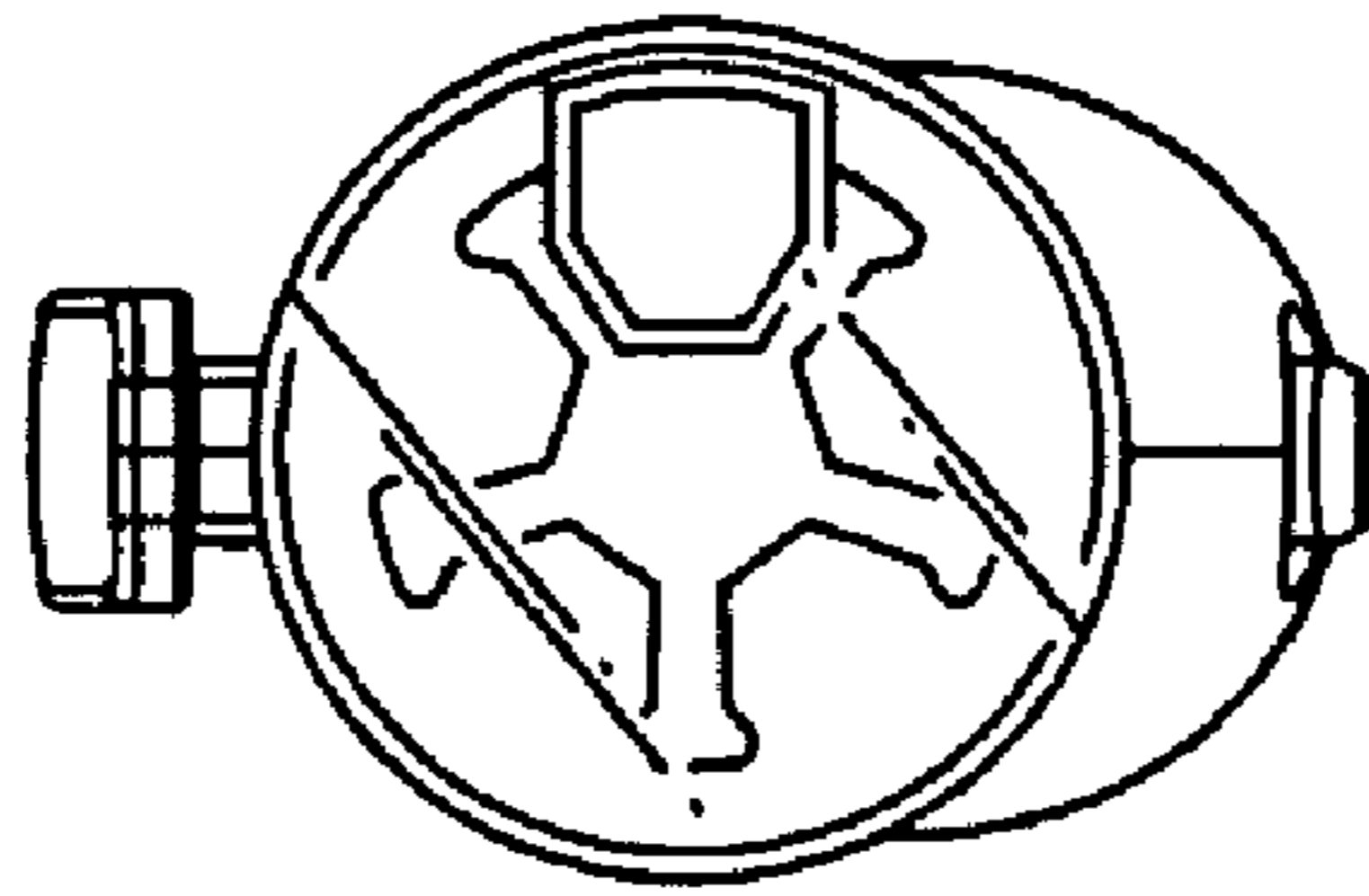


FIG. 6

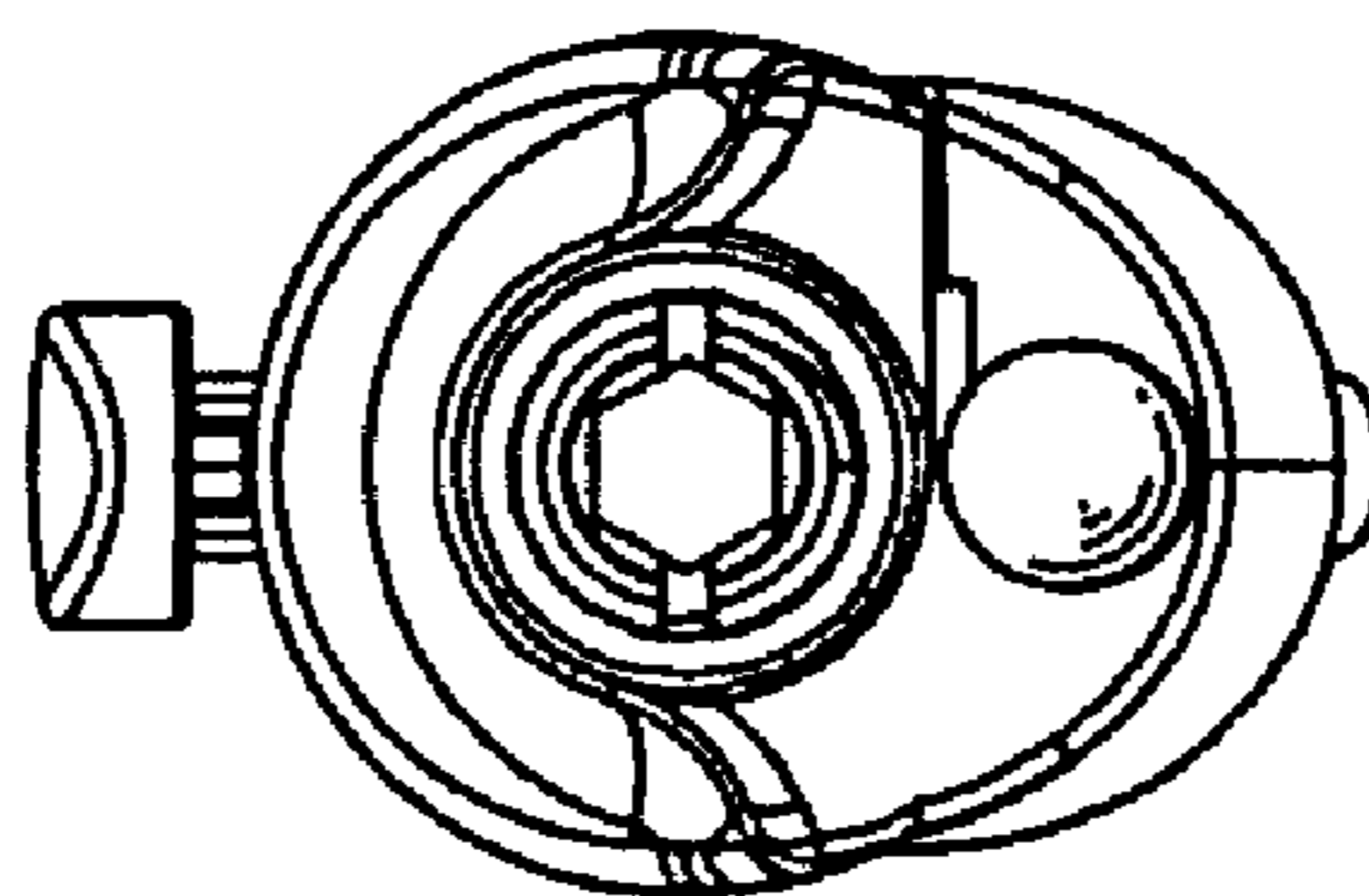


FIG. 7

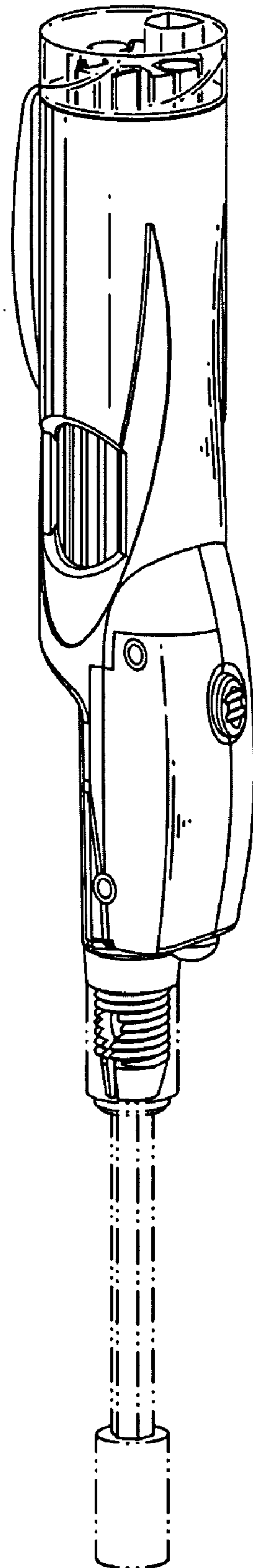


FIG. 8