



US00D580720S

(12) **United States Design Patent**
Shiao

(10) **Patent No.:** **US D580,720 S**

(45) **Date of Patent:** **** Nov. 18, 2008**

(54) **HANDLE FOR AN ELECTRONIC TORSION WRENCH**

D562,093 S * 2/2008 Wu D8/24
2005/0072278 A1 * 4/2005 Cutler et al. 81/467

(76) Inventor: **Hsuan-Sen Shiao**, No. 55, Cheng-Feng Lane, Tai-Ming Rd., Wu-Jih Hsiang, Taichung Hsien (TW)

* cited by examiner

Primary Examiner—Cathron Brooks

Assistant Examiner—Barbara Fox

(74) *Attorney, Agent, or Firm*—Morgan Lewis & Bockius LLP

(**) Term: **14 Years**

(21) Appl. No.: **29/290,892**

(57) **CLAIM**

(22) Filed: **Jan. 28, 2008**

The ornamental design for handle for an electronic torsion wrench, as shown and described.

(51) **LOC (8) Cl.** **08-05**

(52) **U.S. Cl.** **D8/24**

(58) **Field of Classification Search** D8/21–29,
D8/55, 61, 93, 94, 98, 99, 102–107; 81/60–63.2,
81/177.1, 177.85, 177.9, 489, 477, 479; 16/429,
16/441, 124.6; 73/862.23

DESCRIPTION

See application file for complete search history.

FIG. 1 is a perspective view of handle for an electronic torsion wrench showing my new design;

FIG. 2 is a front elevational view thereof;

FIG. 3 is a rear elevational view thereof;

FIG. 4 is a left side elevational view thereof;

FIG. 5 is a right side elevational view thereof;

FIG. 6 is a top plan view thereof; and,

FIG. 7 is a bottom plan view thereof.

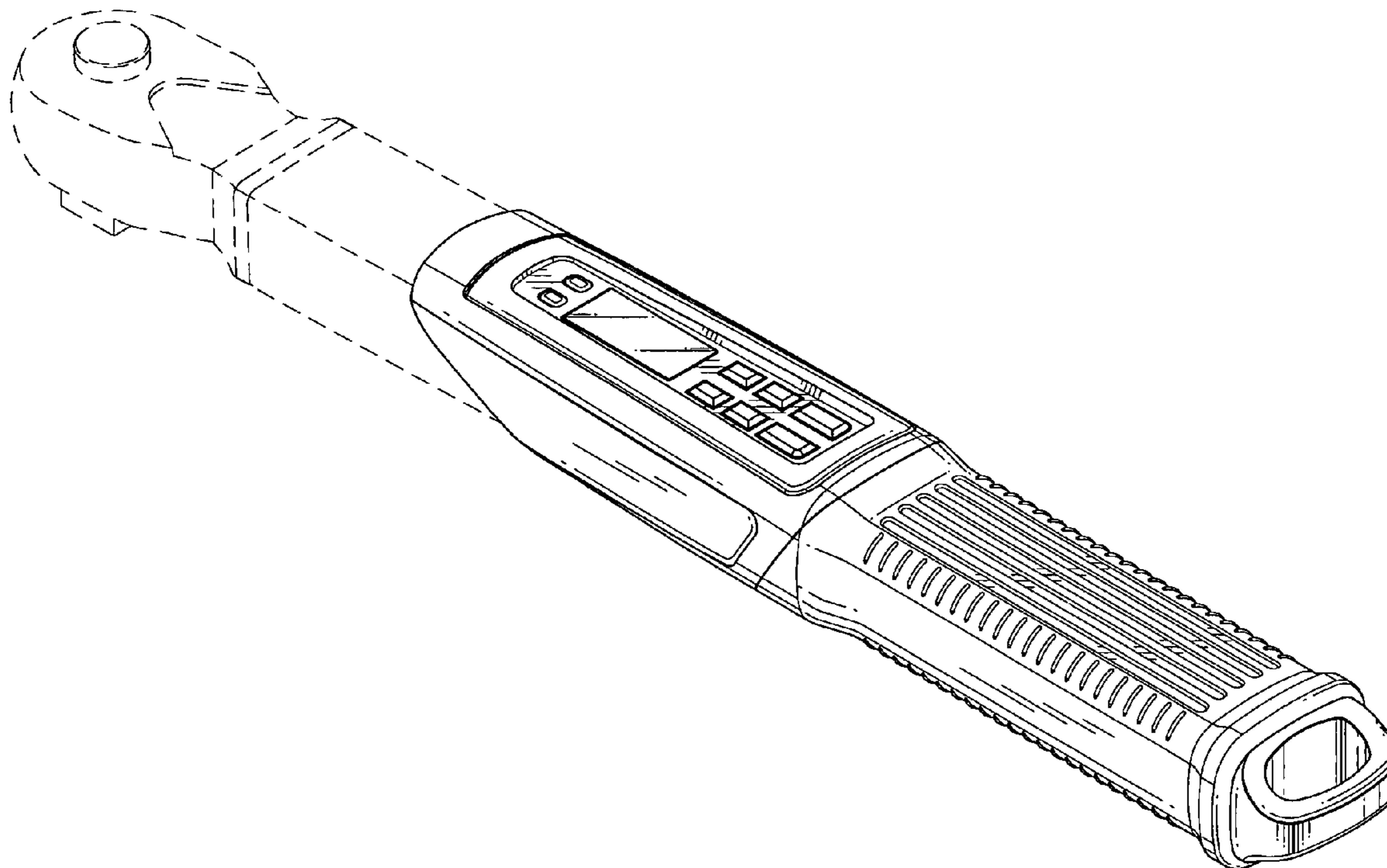
The broken lines shown in the drawings are for the purpose of illustrating unclaimed portions of the design and form no part thereof.

(56) **References Cited**

U.S. PATENT DOCUMENTS

D156,536 S *	12/1949	Keidan	D8/83
D384,564 S *	10/1997	Bengtsson et al.	D8/75
6,167,788 B1 *	1/2001	Schonberger et al.	81/467
D475,598 S *	6/2003	Hung	D8/80
6,948,380 B1 *	9/2005	Shiao et al.	73/862.21
6,981,436 B2 *	1/2006	Becker et al.	81/479
D525,853 S *	8/2006	Hsieh	D8/107
7,313,990 B1 *	1/2008	Shiao	81/479

1 Claim, 6 Drawing Sheets



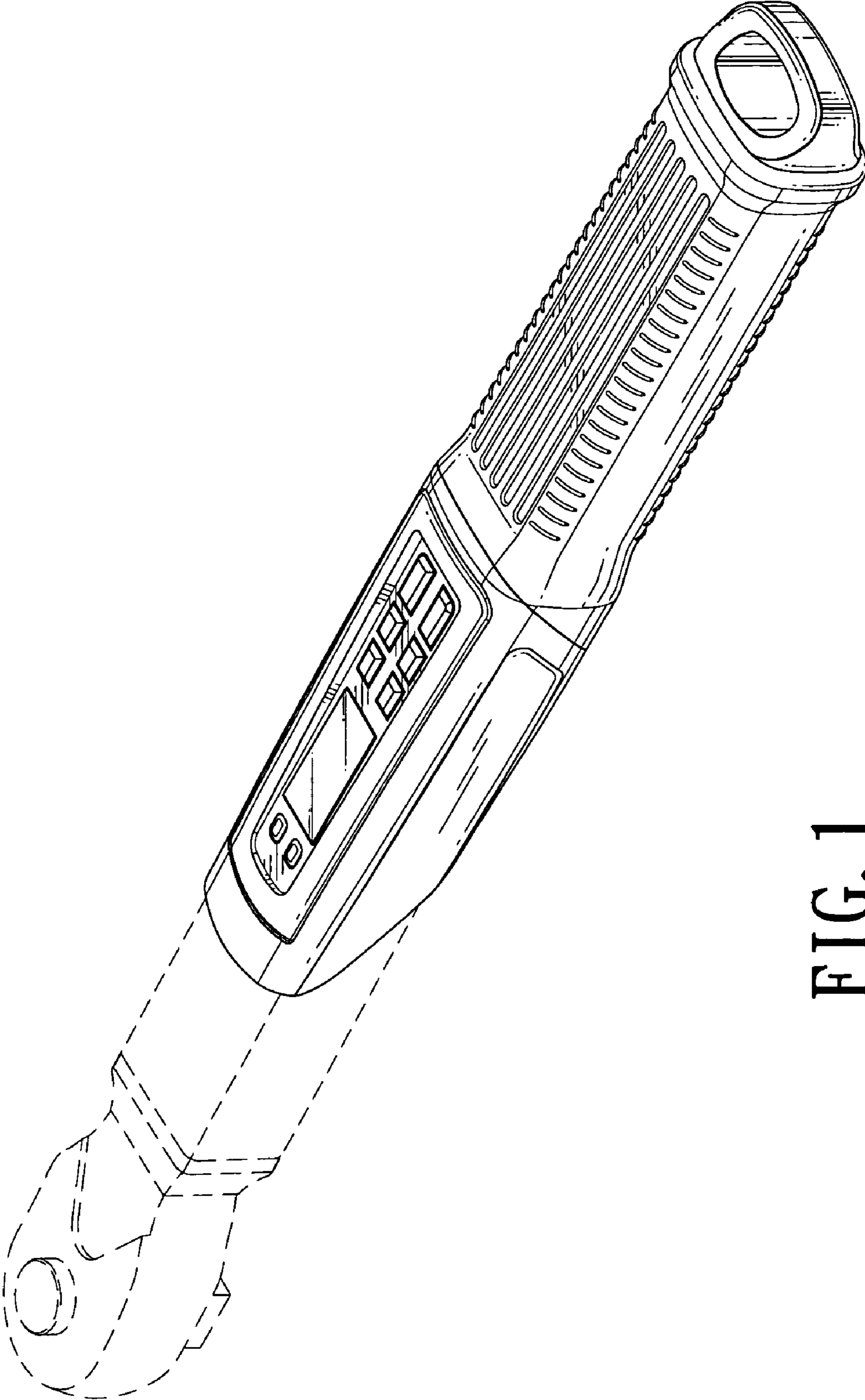


FIG. 1

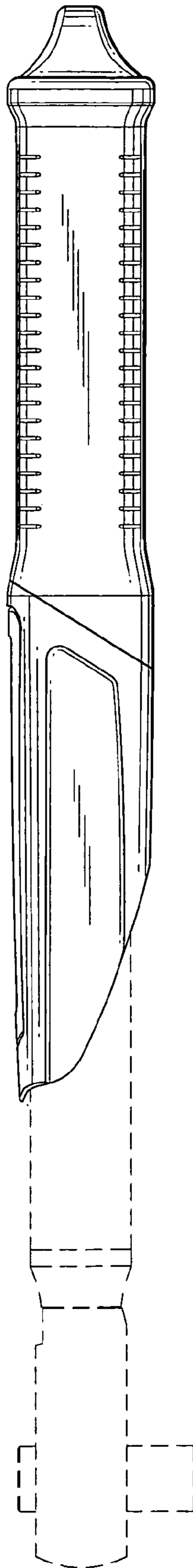


FIG. 2

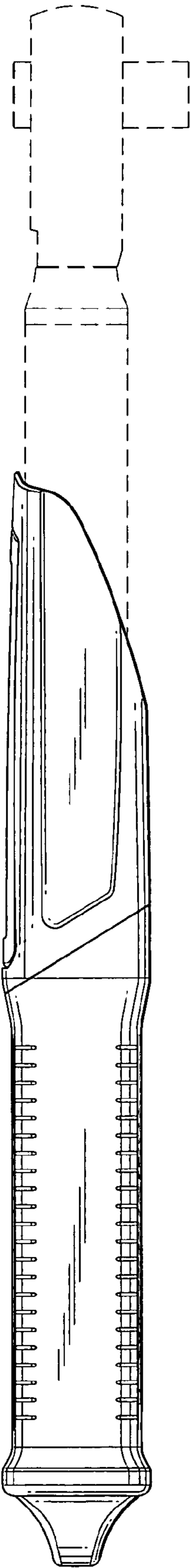


FIG. 3

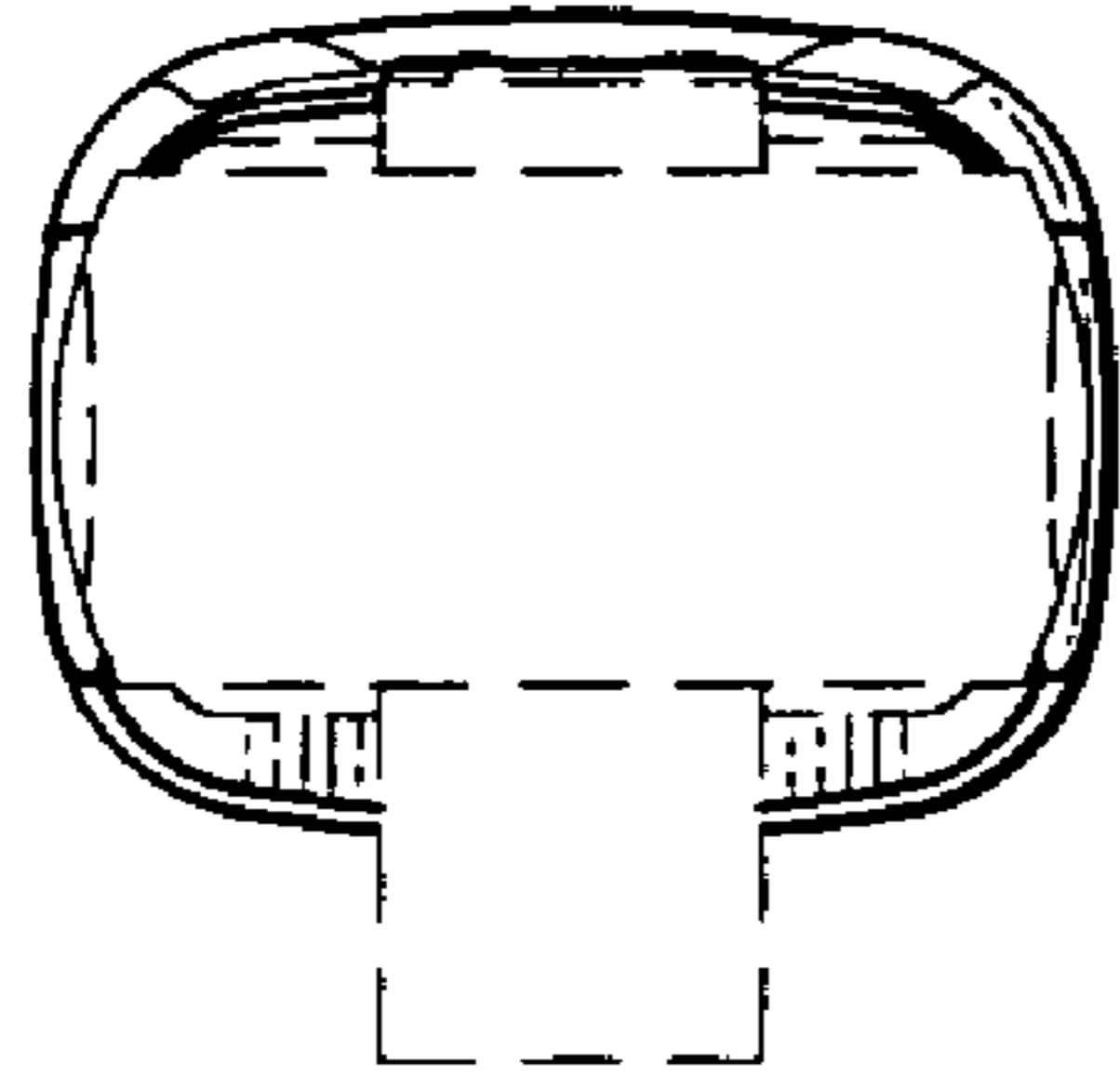


FIG. 4

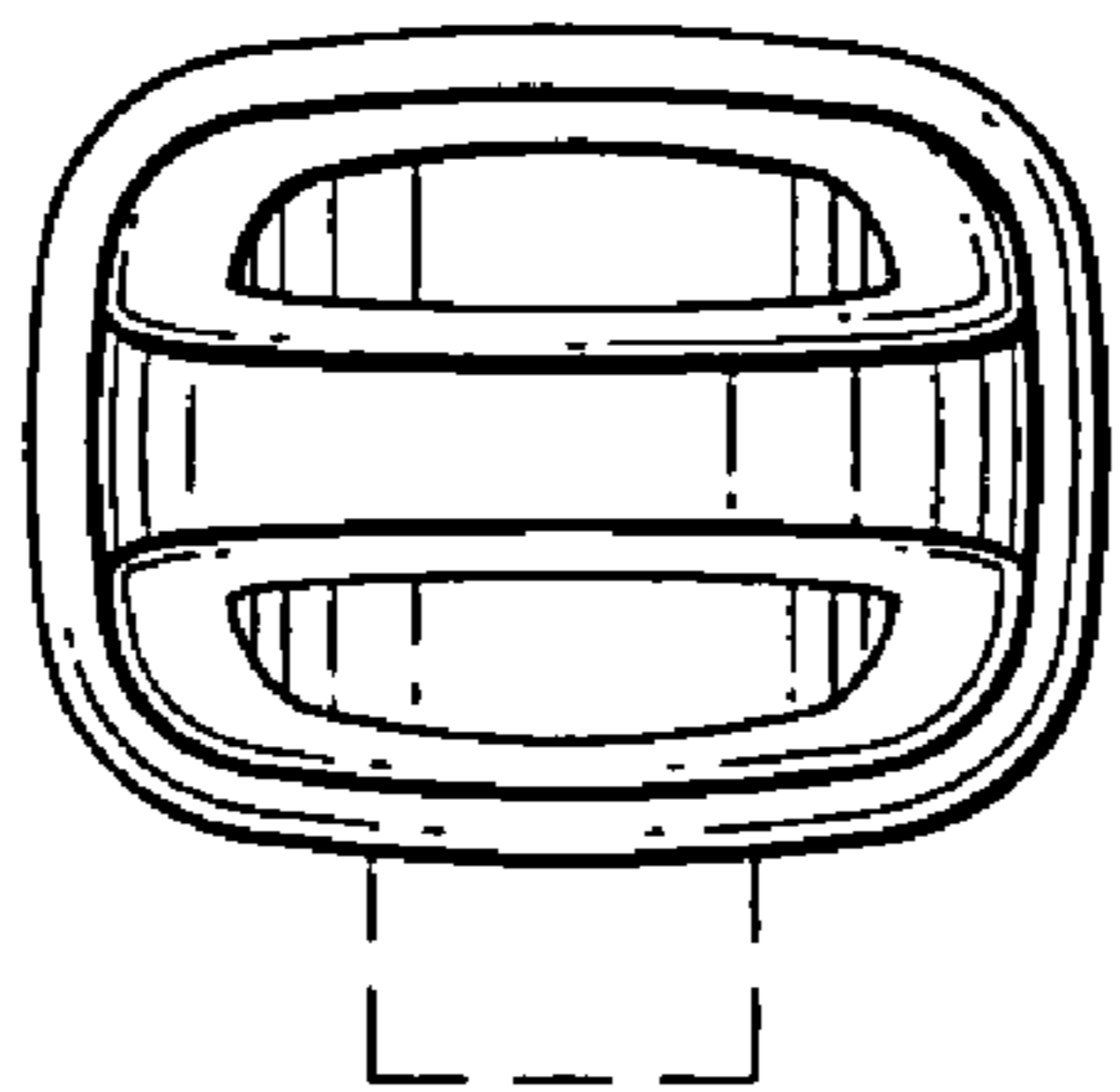


FIG. 5

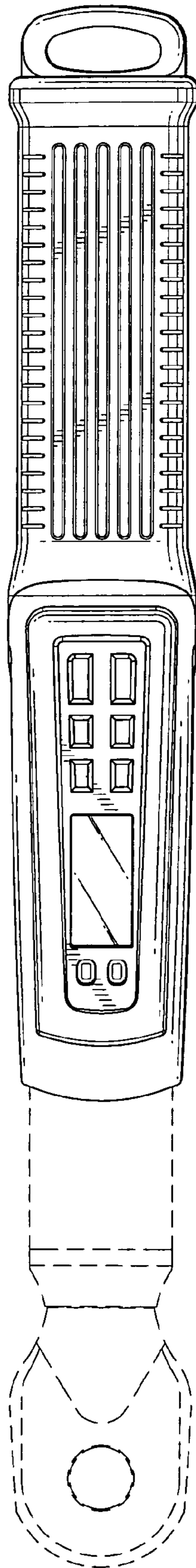


FIG. 6

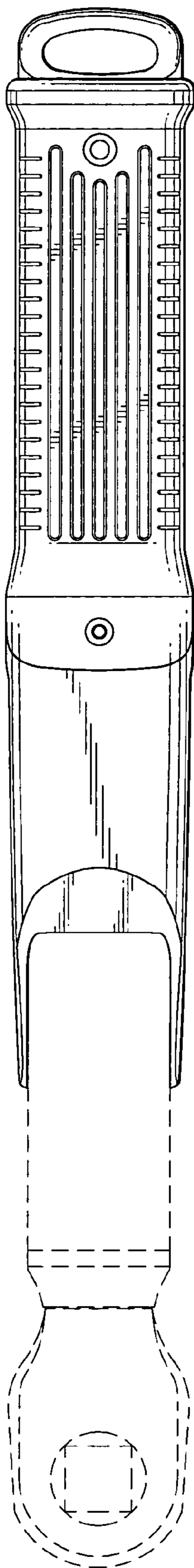


FIG. 7