



US00D580709S

(12) **United States Design Patent**  
**Williams**

(10) **Patent No.:** **US D580,709 S**  
(45) **Date of Patent:** **\*\* Nov. 18, 2008**

(54) **CUP WITH LID**

(76) Inventor: **Michael E. Williams**, 925 Applewilde Dr., San Marcos, CA (US) 92078

(\*\*) Term: **14 Years**

(21) Appl. No.: **29/285,676**

(22) Filed: **Apr. 4, 2007**

(51) **LOC (8) Cl.** ..... **07-01**

(52) **U.S. Cl.** ..... **D7/510; D7/509**

(58) **Field of Classification Search** ..... D7/392.1, D7/500, 509, 510, 511, 523, 529, 533, 536, D7/538, 622; D9/500, 537, 545; 62/457.3; 215/200, 387, DIG. 7; 220/711, 719, 298, 220/592.16, 592.17, 710.5; 229/404, 402  
See application file for complete search history.

D488,348 S	4/2004	Liu	
D502,844 S *	3/2005	Rohe	D7/510
D506,641 S	6/2005	Liu	
D508,594 S	8/2005	Snell	
D511,072 S *	11/2005	Trombly	D7/533
D512,917 S	12/2005	Frisch et al.	
D513,590 S *	1/2006	Westphal	D9/504
D530,154 S *	10/2006	Zerillo et al.	D7/533
D531,452 S	11/2006	Toth	
D531,903 S *	11/2006	Haubein	D9/500
D535,151 S	1/2007	Seum et al.	
D536,220 S *	2/2007	Sandberg	D7/608
D554,433 S *	11/2007	Gluck	D7/523
D562,076 S *	2/2008	Sandberg	D7/533

\* cited by examiner

*Primary Examiner*—Philip Hyder  
*Assistant Examiner*—Cynthia Underwood  
(74) *Attorney, Agent, or Firm*—Holland & Hart LLP

(56) **References Cited**

U.S. PATENT DOCUMENTS

D120,587 S	5/1940	Hinkins	
D249,111 S *	8/1978	Geyer	D7/523
D299,426 S	1/1989	Andersson et al.	
D357,413 S	4/1995	Kornick et al.	
D357,414 S	4/1995	Kornick et al.	
D383,037 S	9/1997	Asberg	
D398,531 S	9/1998	De Vries	
D408,221 S *	4/1999	Asberg	D7/511
D425,758 S *	5/2000	Freed	D7/533
D436,296 S *	1/2001	Freed	D7/523
D478,669 S *	8/2003	Wear	D24/197
D480,267 S *	10/2003	Freed et al.	D7/510
D483,611 S	12/2003	Diak Ghanem	

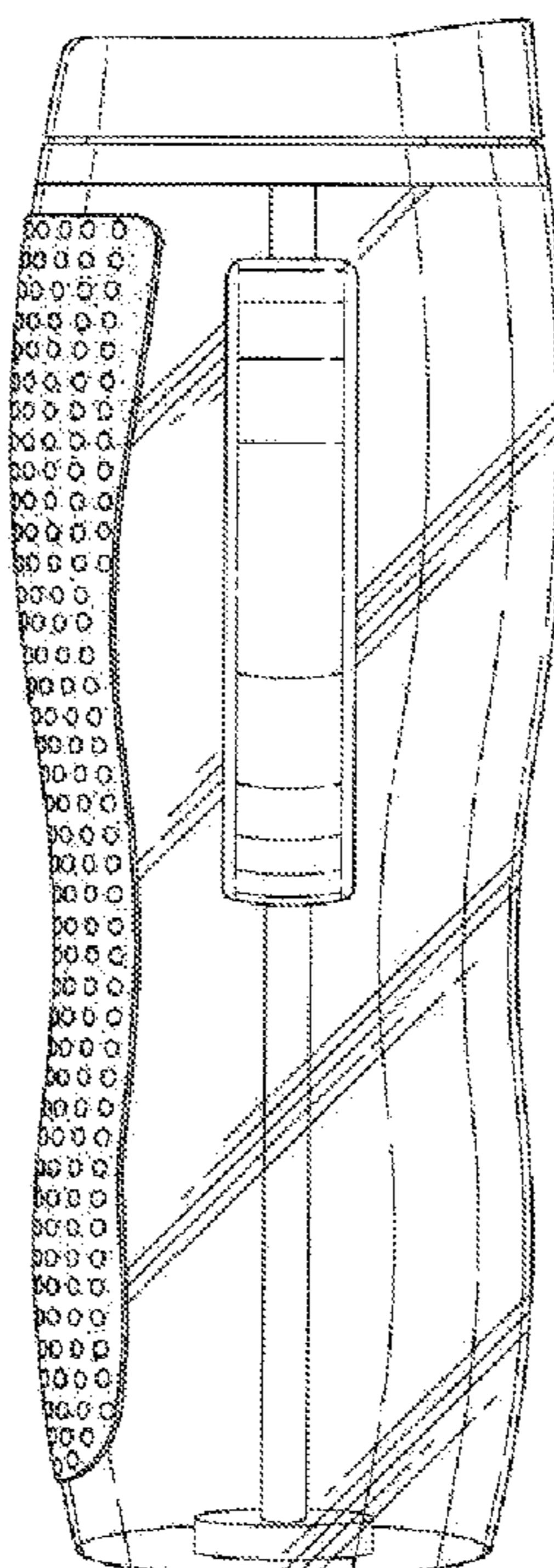
(57) **CLAIM**

The ornamental design for a cup with lid, as shown.

**DESCRIPTION**

FIG. 1 is a front view of a cup with lid, showing my design;  
FIG. 2 is a left side view thereof;  
FIG. 3 is a right side view thereof;  
FIG. 4 is a rear view thereof;  
FIG. 5 is a bottom plan view thereof; and,  
FIG. 6 is a top plan view thereof.

**1 Claim, 3 Drawing Sheets**



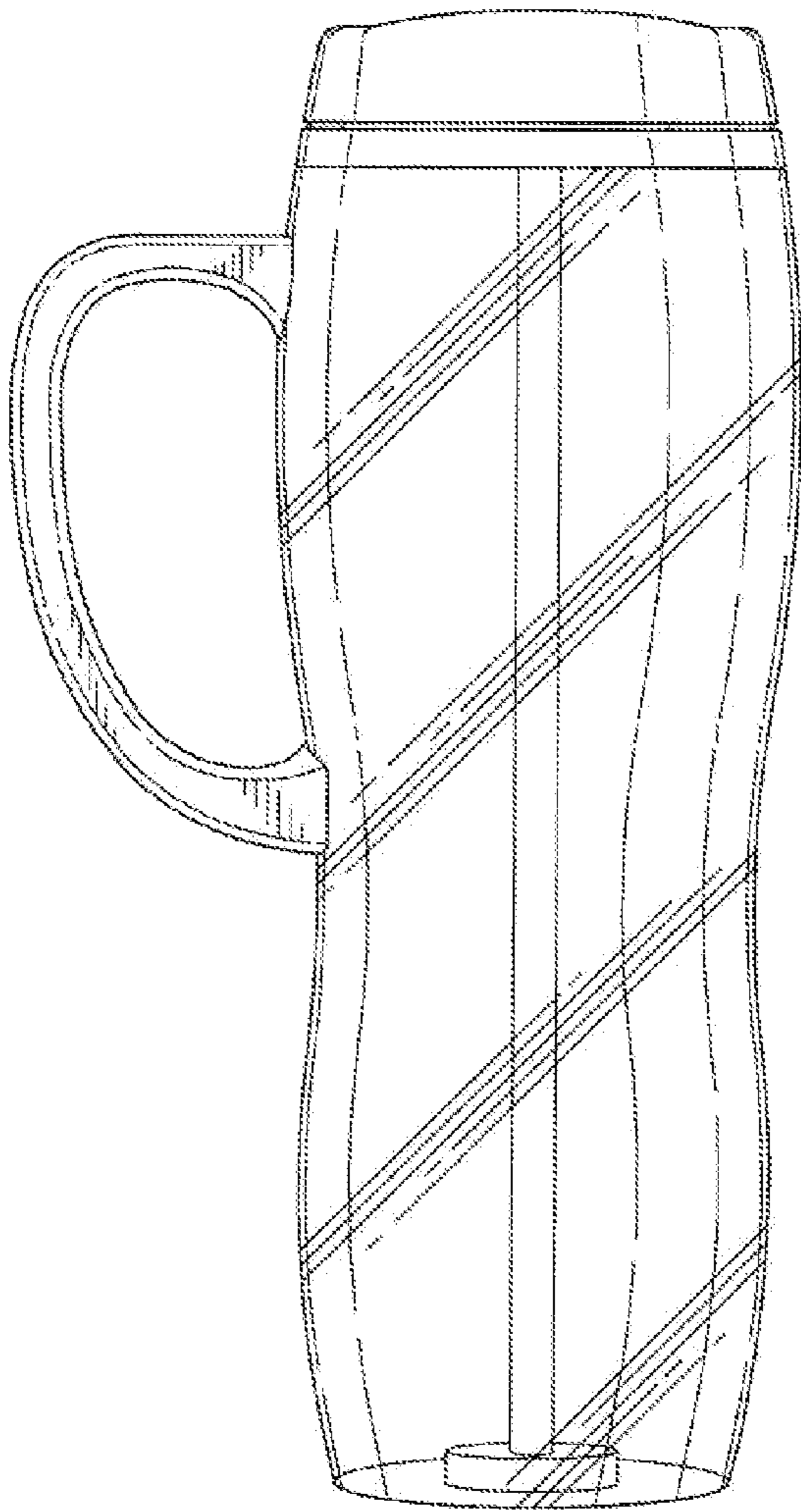


FIG. 1

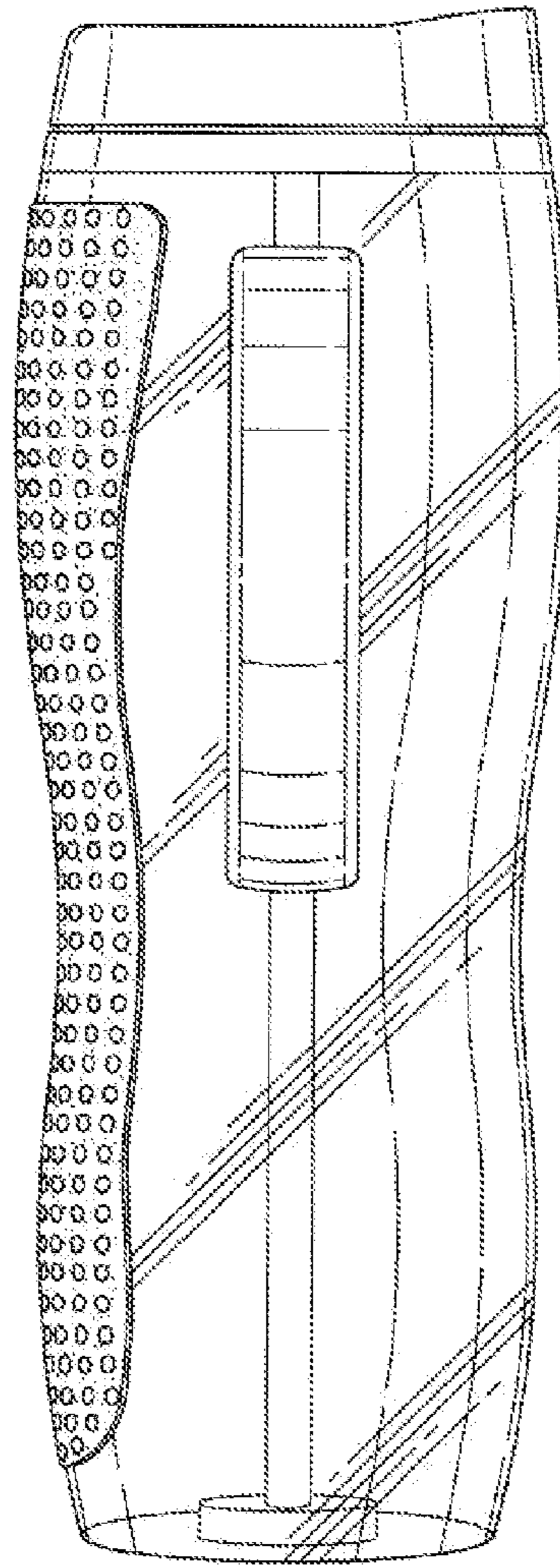


FIG. 2

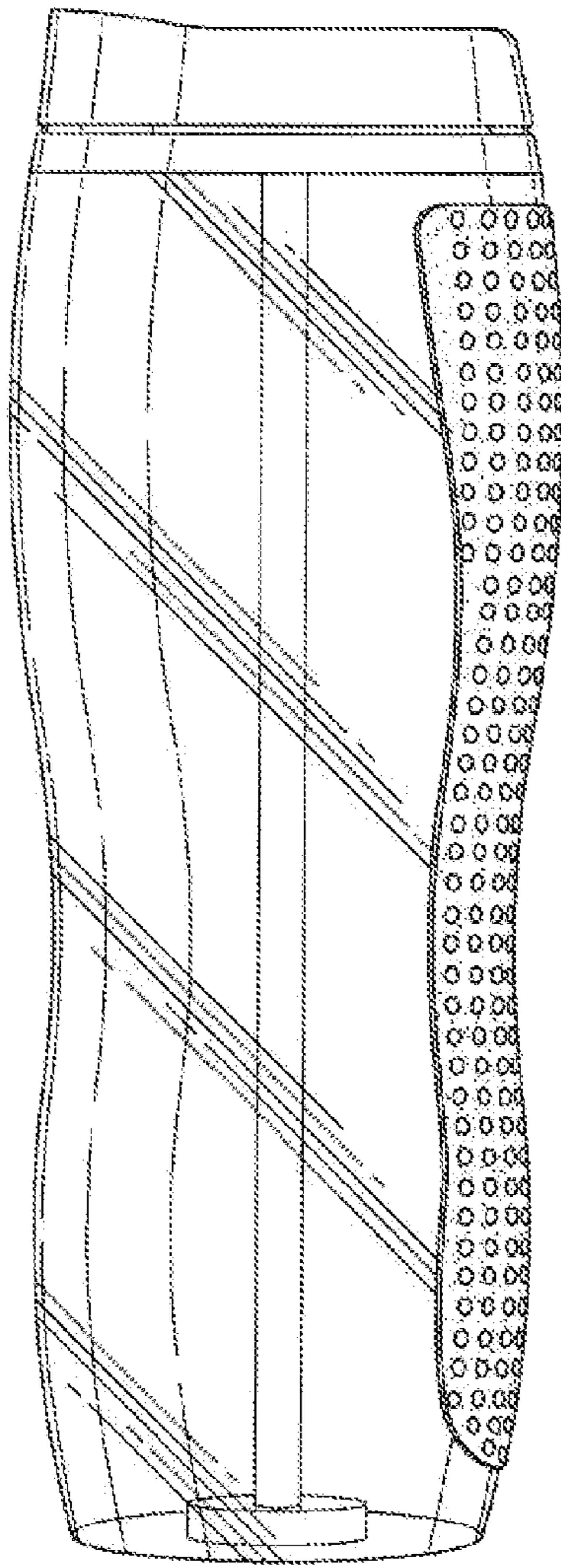


FIG. 3

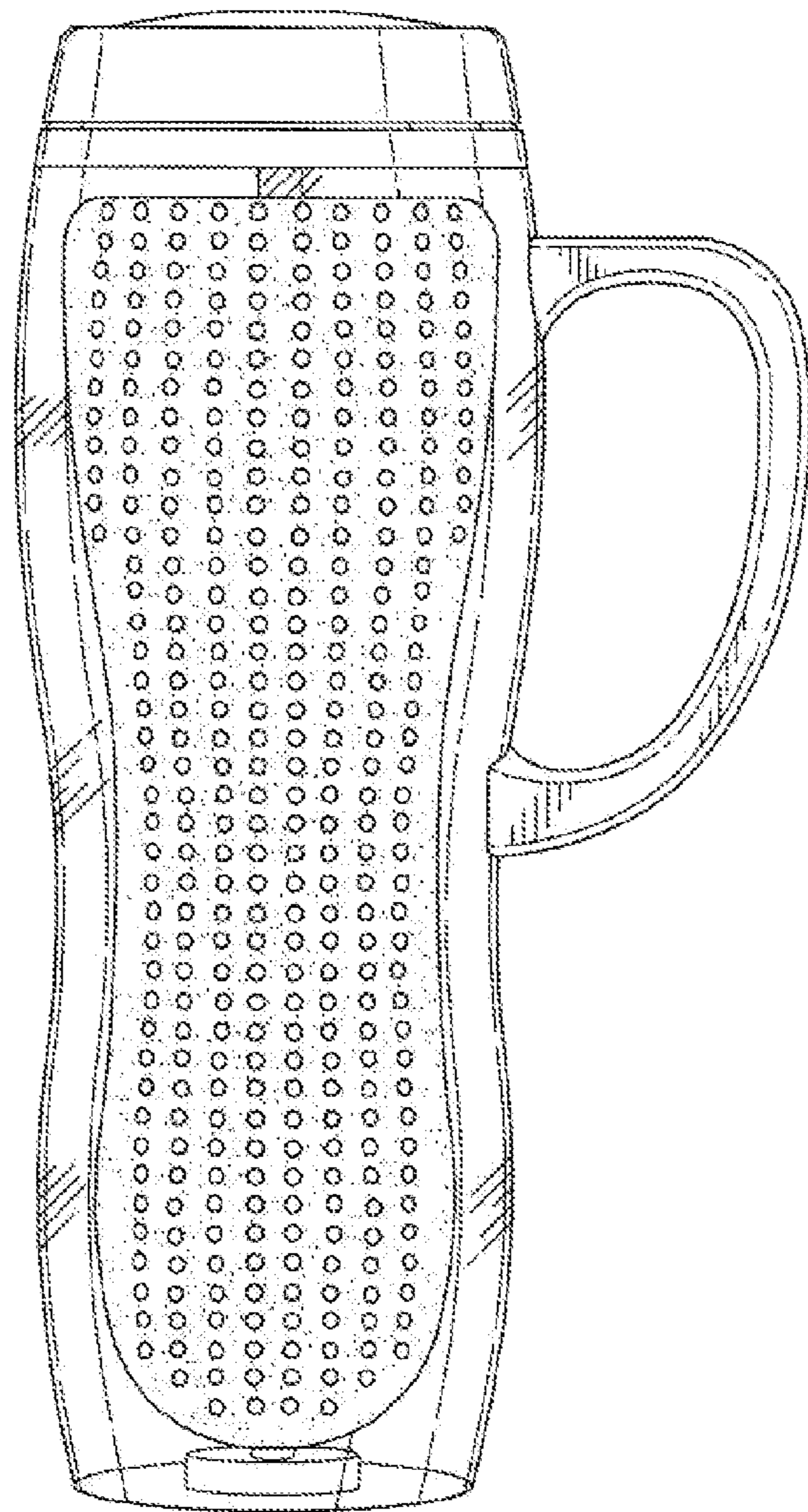


FIG. 4

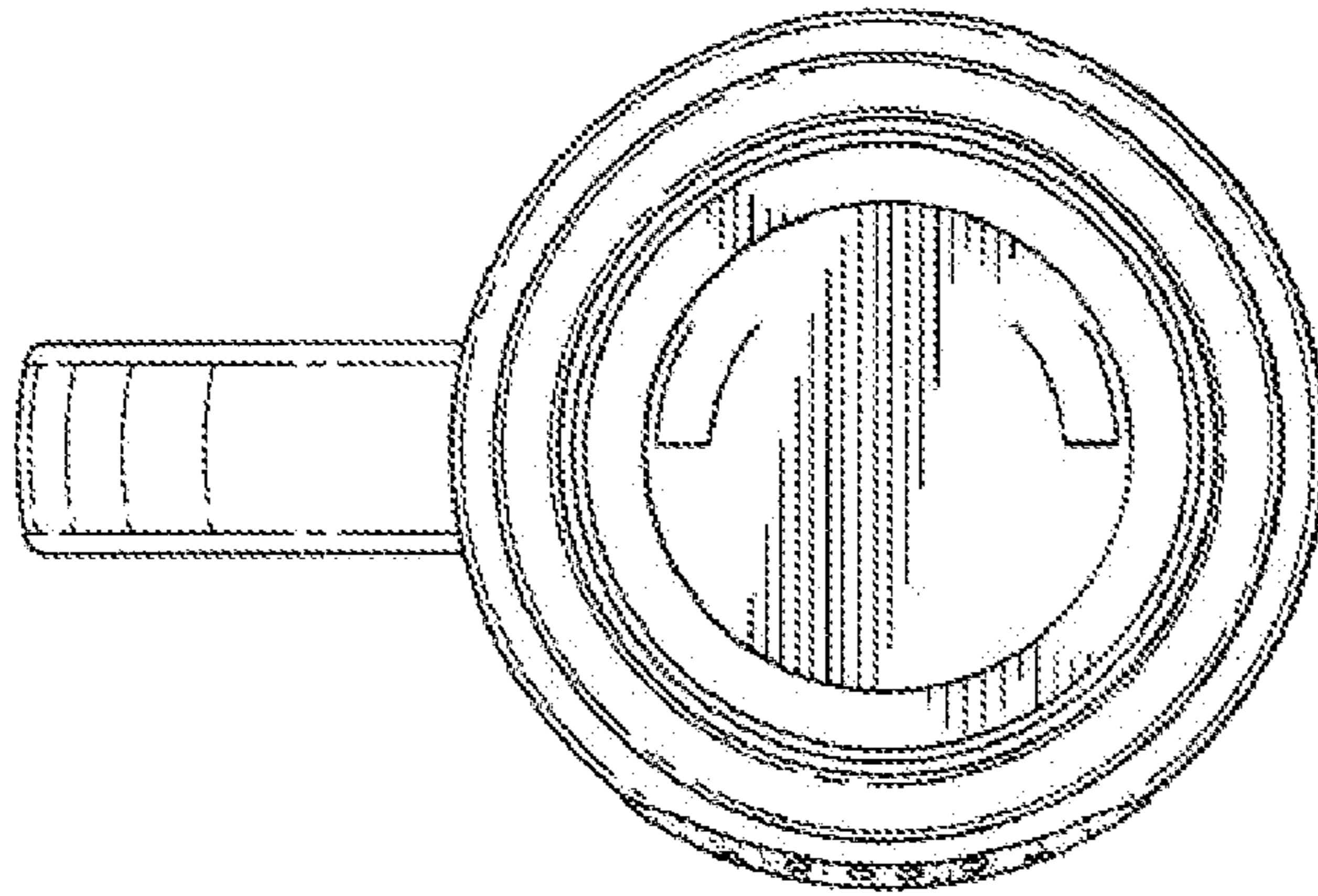


FIG. 5

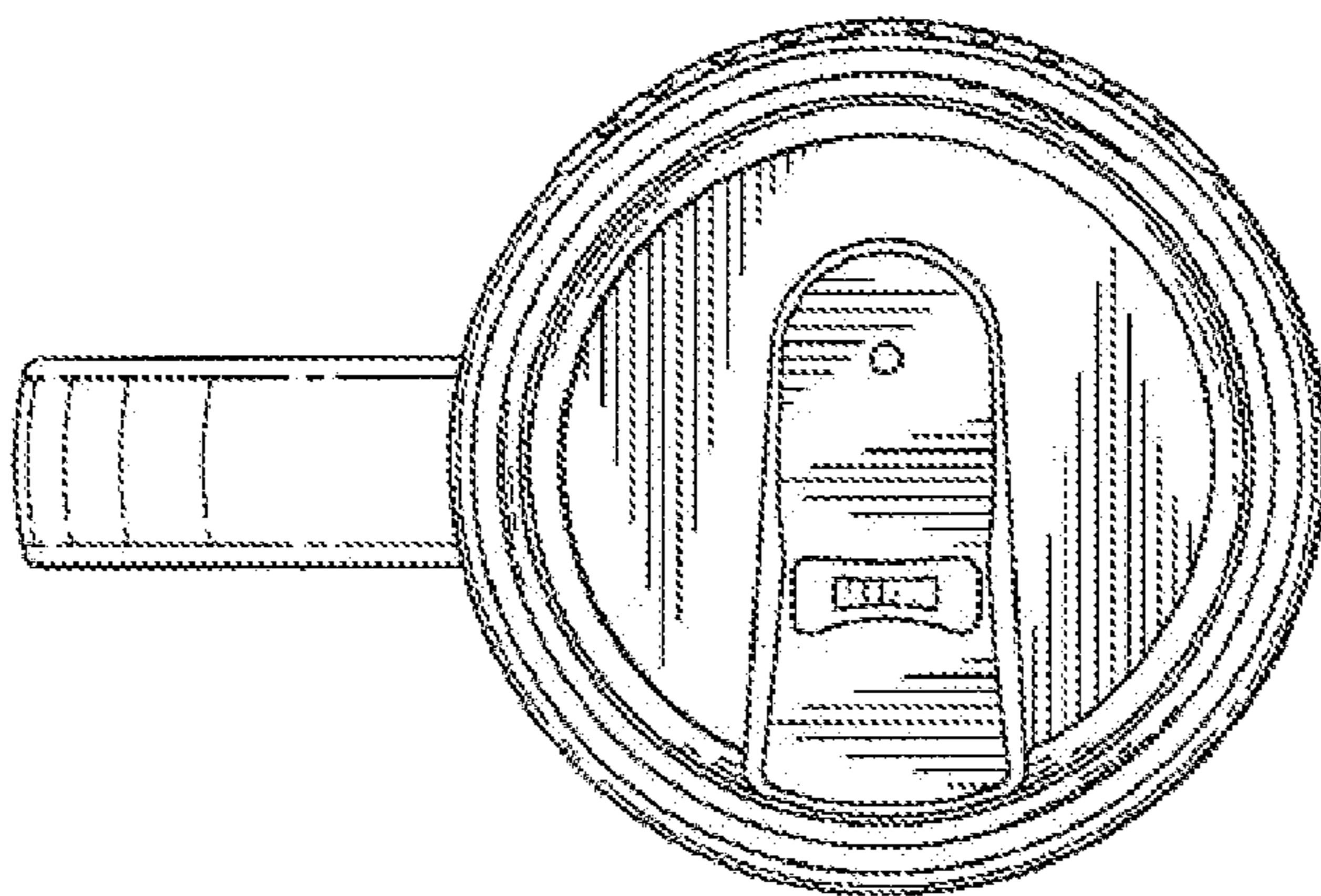


FIG. 6