



US00D580704S

(12) **United States Design Patent**  
**Robson**

(10) **Patent No.:** **US D580,704 S**  
(45) **Date of Patent:** **\*\* Nov. 18, 2008**

(54) **HANDLE FOR COOKING UTENSIL**

(75) Inventor: **Jackie Moulin Robson**, Lovagny (FR)

(73) Assignee: **Tefal**, Rumilly (FR)

(\*\*) Term: **14 Years**

(21) Appl. No.: **29/306,314**

(22) Filed: **Apr. 7, 2008**

(30) **Foreign Application Priority Data**

Oct. 5, 2007 (FR) ..... 07 4552

(51) **LOC (8) Cl.** ..... **07-02**

(52) **U.S. Cl.** ..... **D7/393**

(58) **Field of Classification Search** ..... D7/354-361,  
D7/393-395; D8/107, 300, 303, 307; D4/138,  
D4/129; 16/421, 430, 431, 110.1, 407; 220/573.1-573.5,  
220/752, 753, 755, 756, 759, 771, 912; D12/579  
See application file for complete search history.

(56) **References Cited**

U.S. PATENT DOCUMENTS

D164,372 S *	8/1951	Lewis	.....	D7/395
D320,125 S *	9/1991	Hacker	.....	D7/395
D324,634 S *	3/1992	Chen	.....	D8/303
D327,809 S *	7/1992	Hacker	.....	D7/395
D337,694 S *	7/1993	Hacker et al.	.....	D7/395
D438,055 S *	2/2001	Munari	.....	D7/395
D447,383 S *	9/2001	Rae	.....	D7/395
D461,390 S *	8/2002	Livingston	.....	D8/303

D463,240 S *	9/2002	Staton	.....	D8/107
D482,567 S *	11/2003	Demers	.....	D7/395
D491,037 S *	6/2004	Chen	.....	D8/107
D494,412 S *	8/2004	Prakasa	.....	D7/395
D512,602 S *	12/2005	Spagnolo	.....	D7/395
D529,434 S *	10/2006	Regallis et al.	.....	D12/579
D530,265 S *	10/2006	Hutz et al.	.....	D12/579
D557,065 S *	12/2007	Levy et al.	.....	D7/393

\* cited by examiner

*Primary Examiner*—Holly H. Baynham

*Assistant Examiner*—Cynthia M Chin

(74) *Attorney, Agent, or Firm*—Young & Thompson

(57) **CLAIM**

The ornamental design for a handle for cooking utensil, as shown and described.

**DESCRIPTION**

FIG. 1 is a top, front and side perspective view of a handle for cooking utensil, showing my new design;

FIG. 2 is a the bottom, side and rear perspective view thereof;

FIG. 3 is a top plan view thereof;

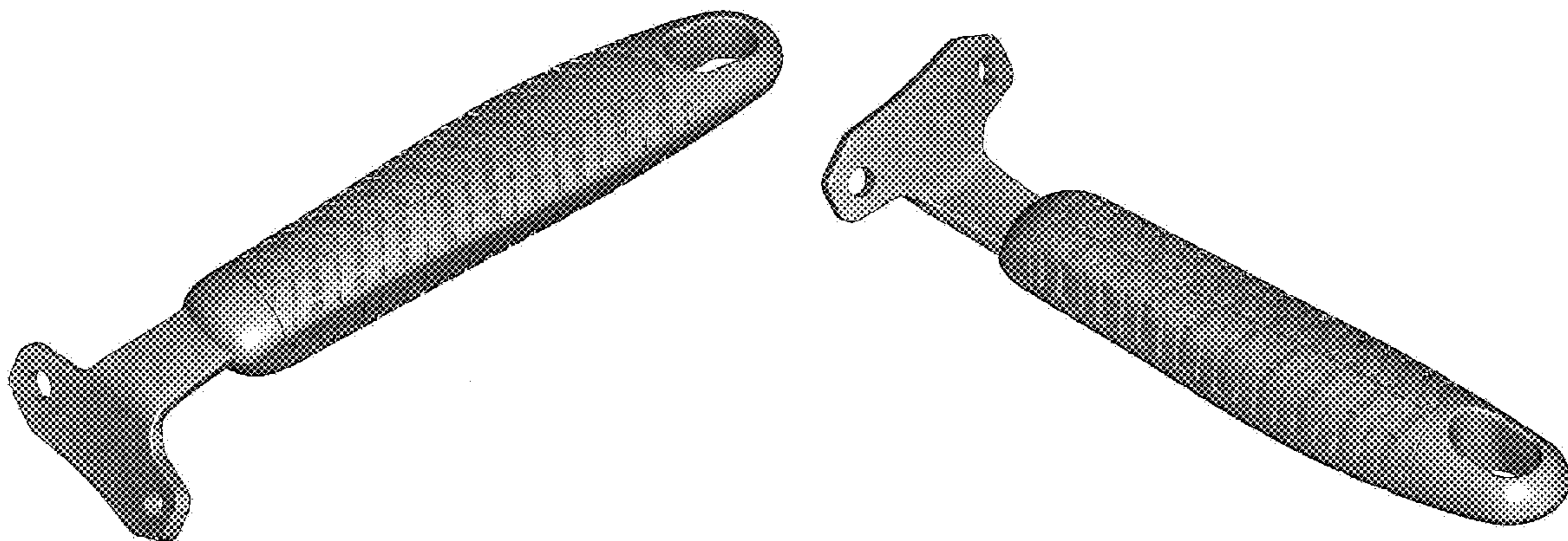
FIG. 4 is a side elevational view thereof from the right of FIG. 3 the opposite side

FIG. 5 is a bottom plan view thereof; elevational view being a mirror image thereof;

FIG. 6 is an enlarged front elevational view thereof; and,

FIG. 7 is an enlarged rear elevational view thereof.

**1 Claim, 7 Drawing Sheets**



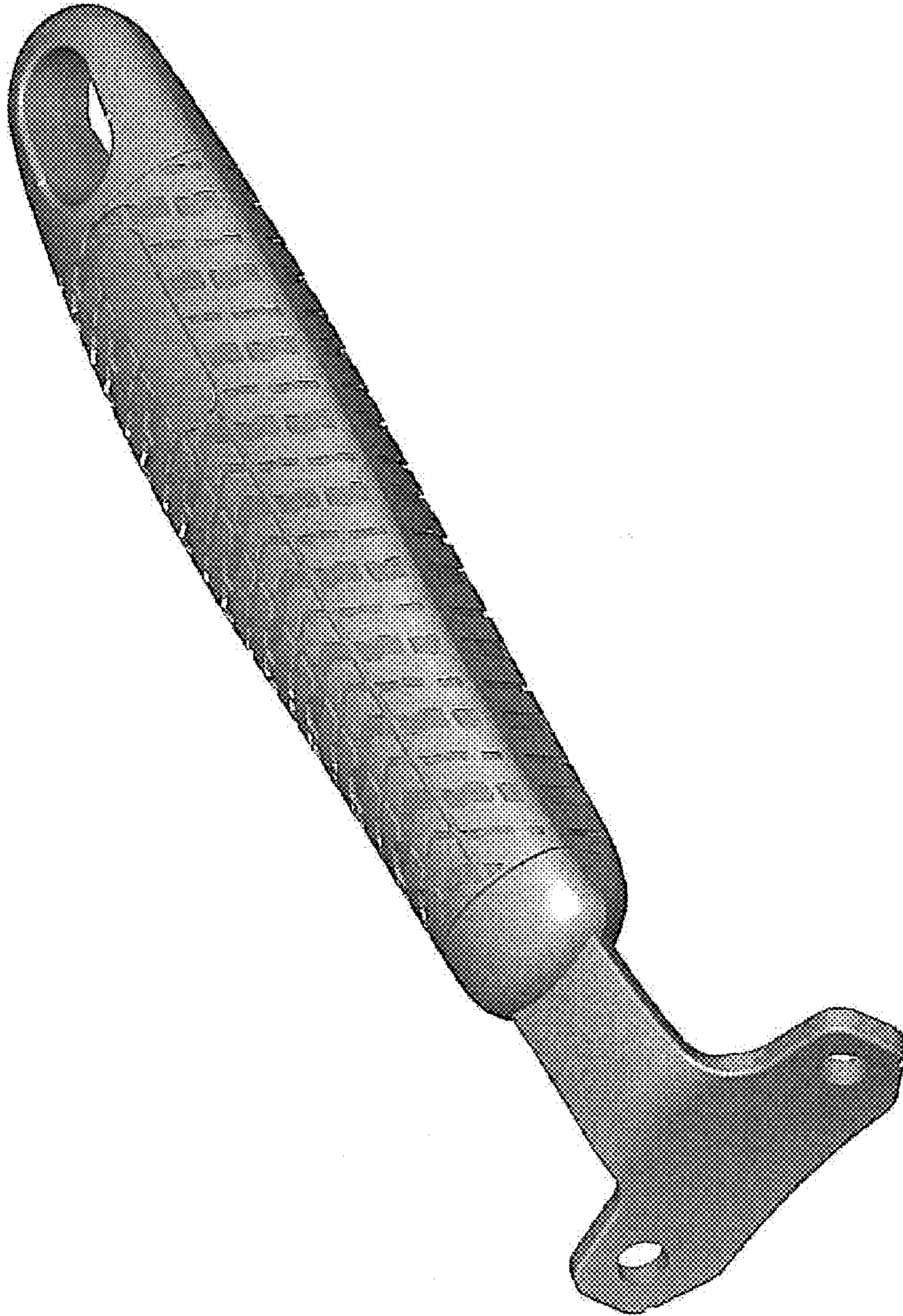


Figure 1

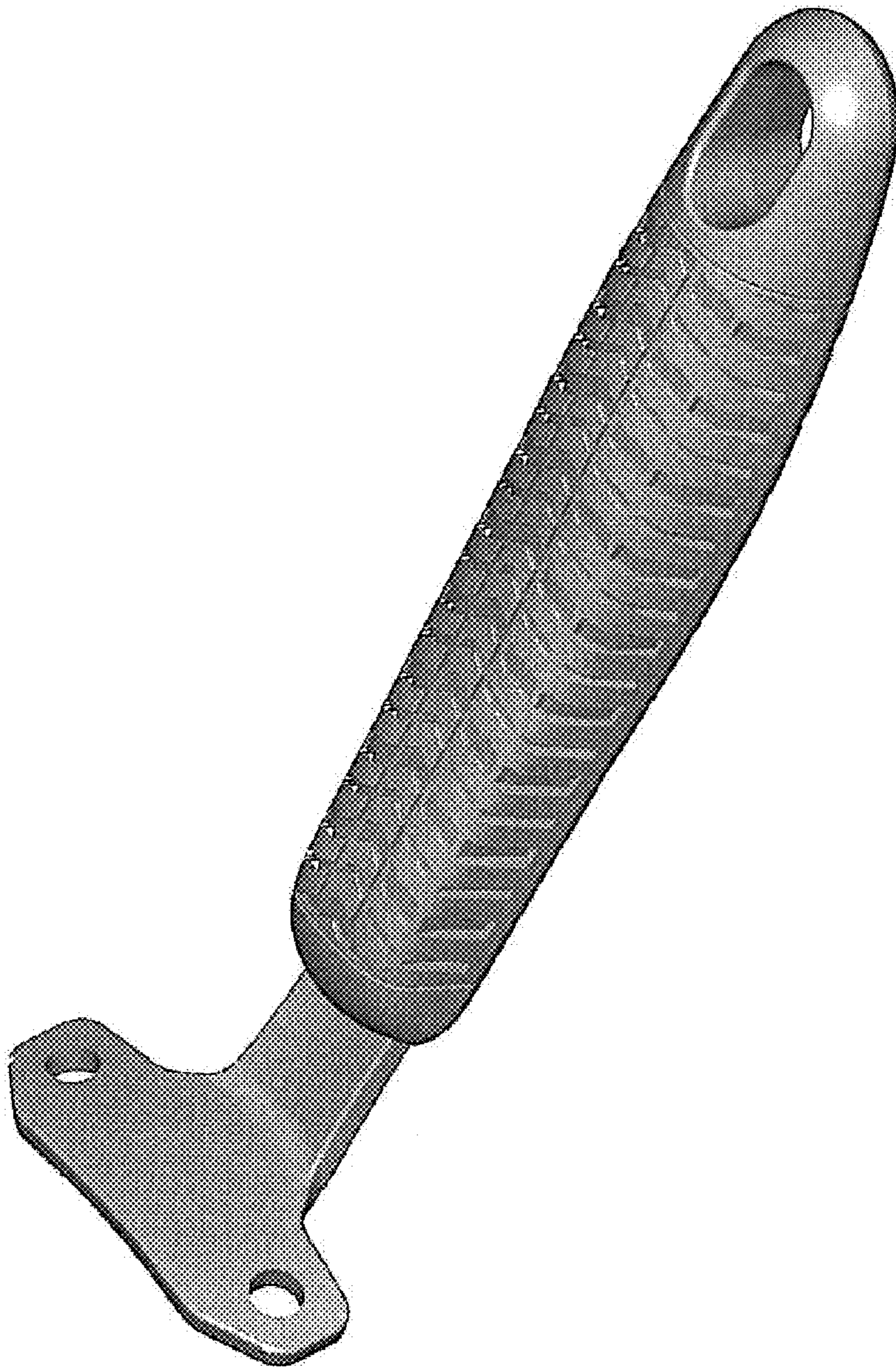


Figure 2

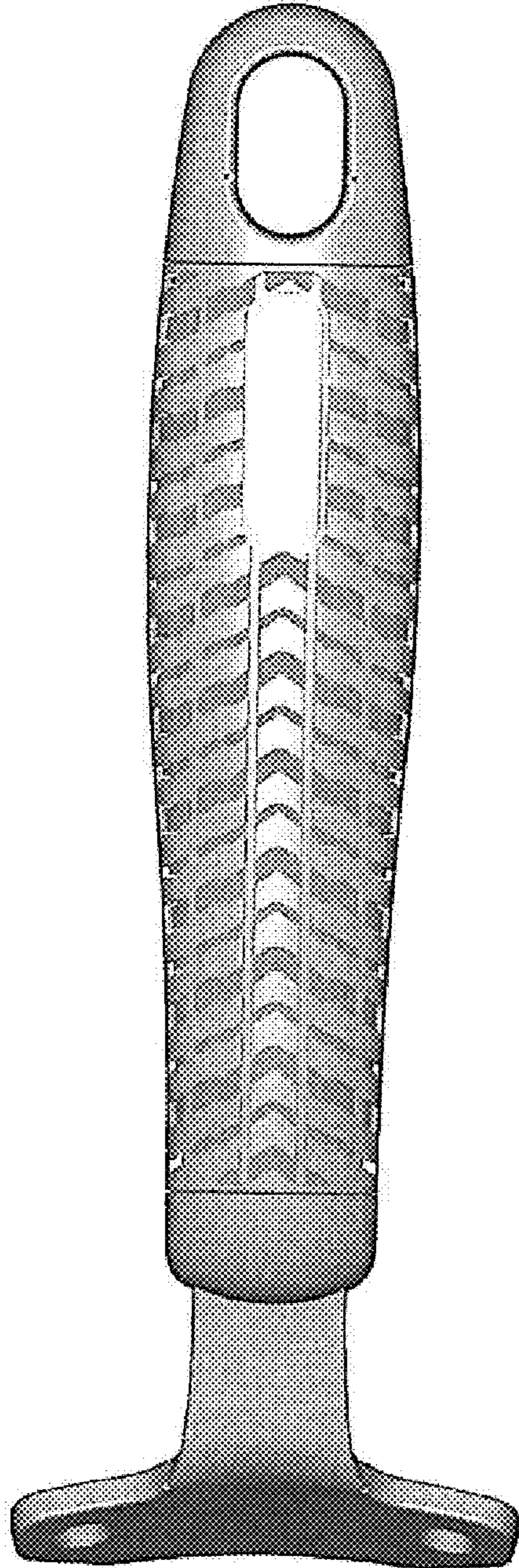


Figure 3

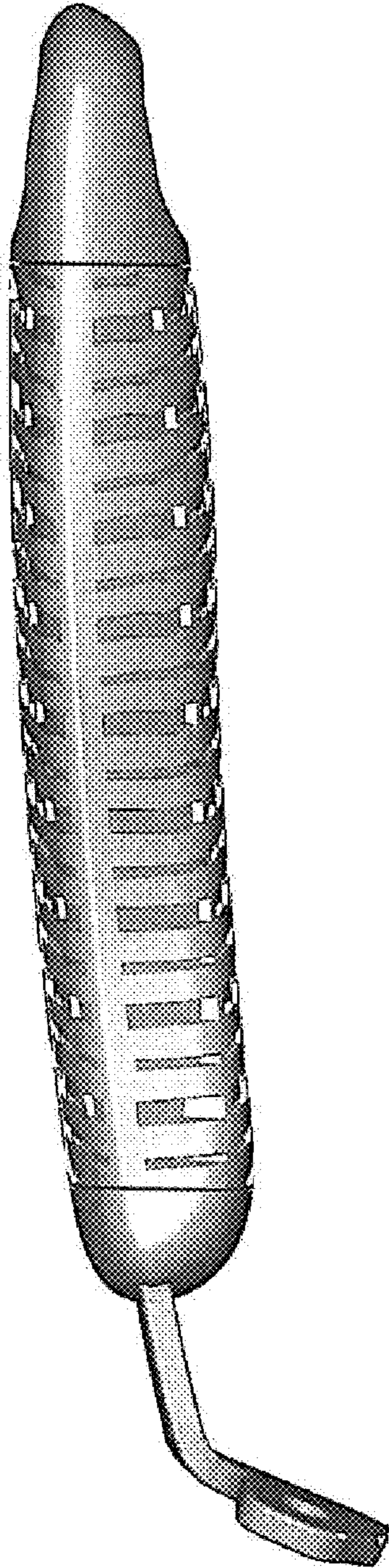


Figure 4

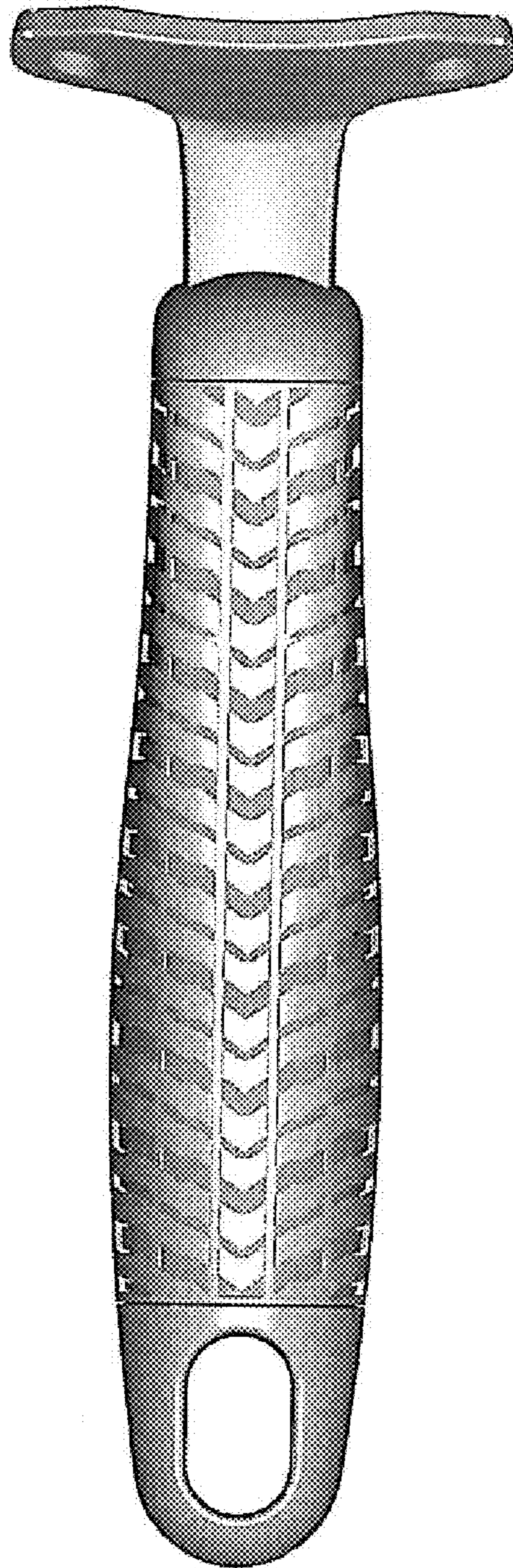


Figure 5

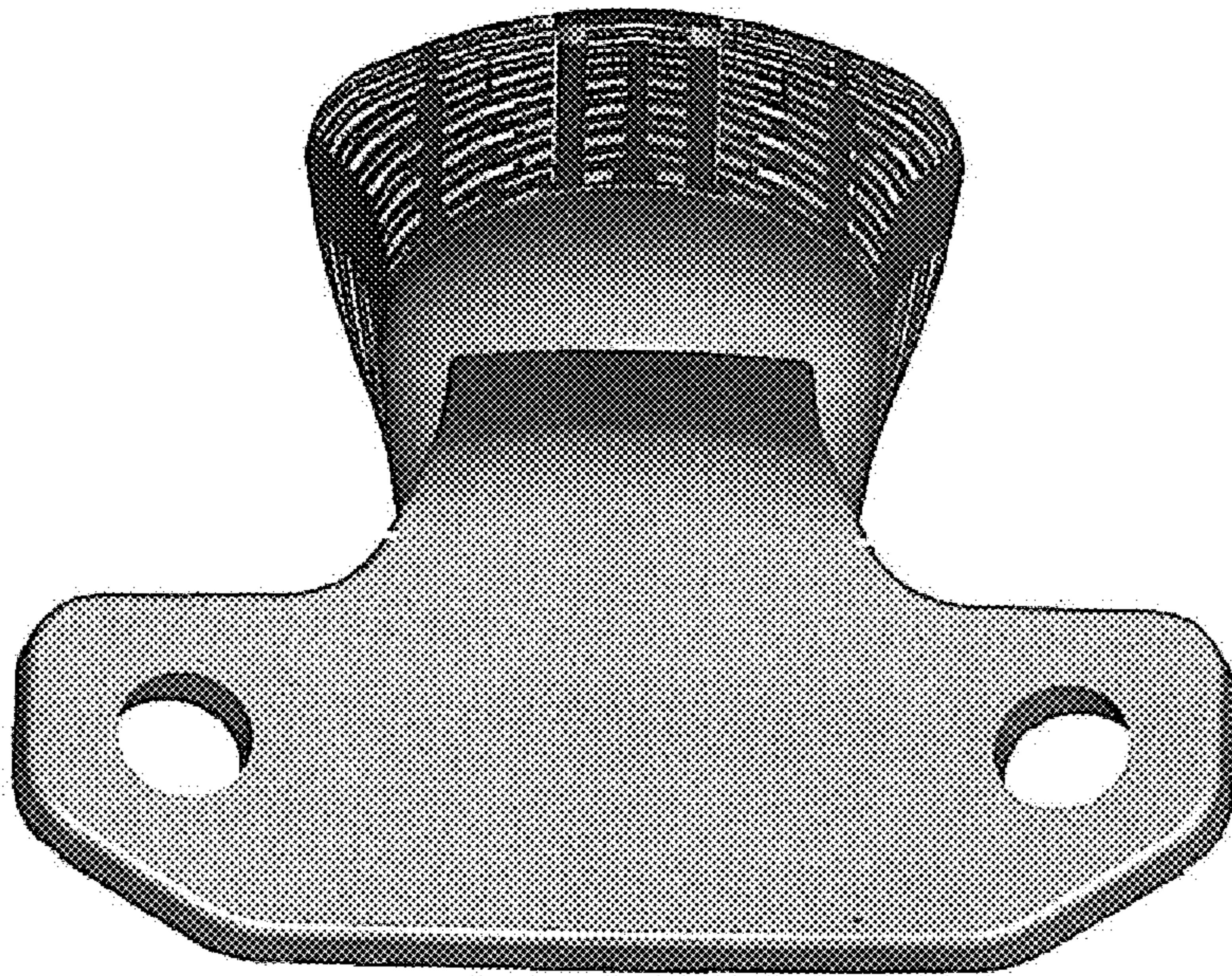


Figure 6

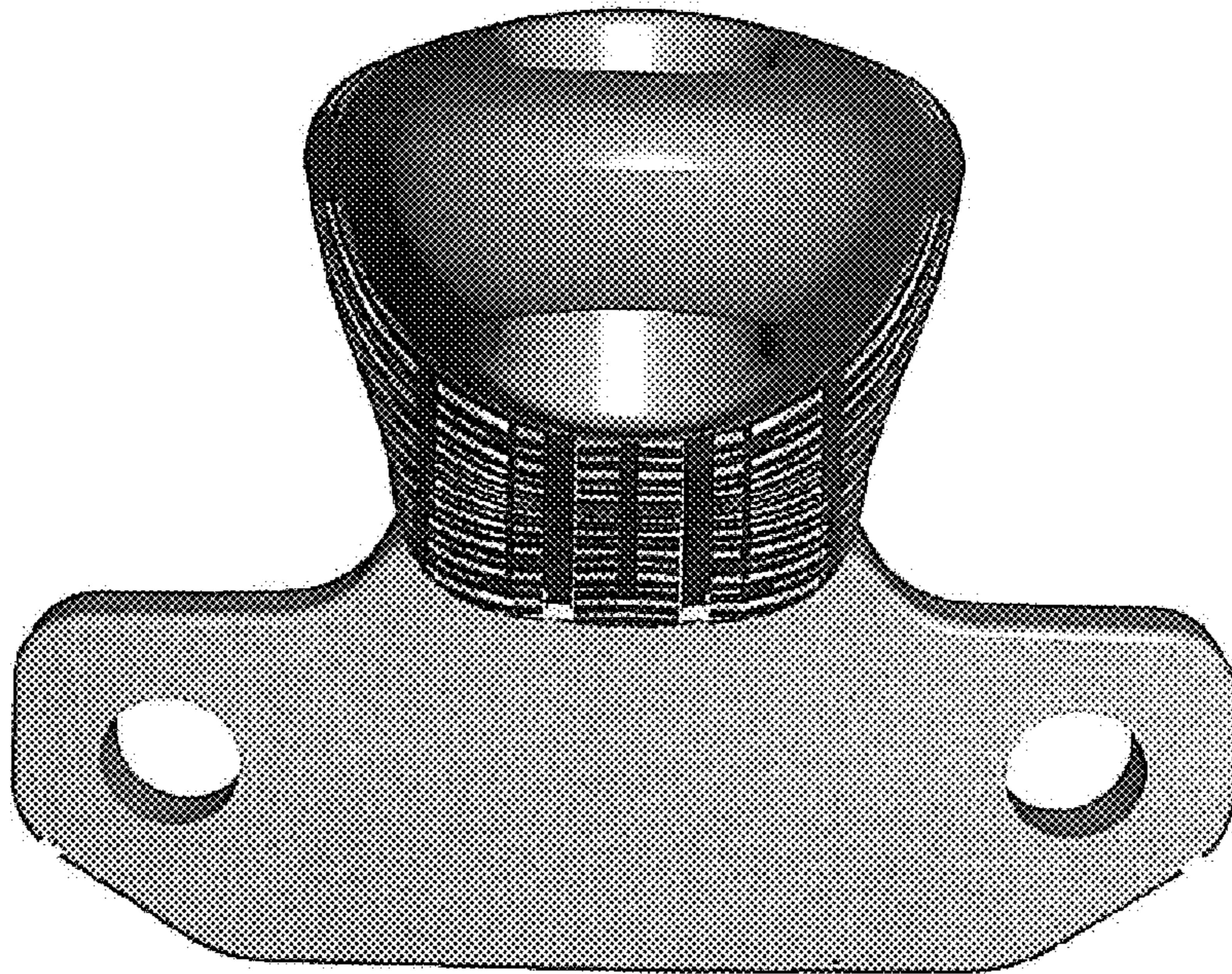


Figure 7