



US00D580702S

(12) **United States Design Patent**  
**Holcomb et al.**

(10) **Patent No.:** **US D580,702 S**  
(45) **Date of Patent:** **\*\* Nov. 18, 2008**

(54) **EMULSIFIER**

(75) Inventors: **David A. Holcomb**, Seattle, WA (US);  
**Matthew Krus**, Seattle, WA (US)

(73) Assignee: **Chef'n Corporation**, Seattle, WA (US)

(\*\*) Term: **14 Years**

(21) Appl. No.: **29/296,084**

(22) Filed: **Oct. 12, 2007**

(51) **LOC (8) Cl.** ..... **31-00**

(52) **U.S. Cl.** ..... **D7/377; D7/378**

(58) **Field of Classification Search** ..... D7/376-386,  
D7/401.1, 412-414, 597-598, 665, 679;  
99/509-511; 222/142.1-142.9, 452, 480-482;  
241/30-37.5, 101.01-101.2, 166-169.1,  
241/274-278.2, 285.1-285.3, 291, 292.1;  
366/64-67, 93, 168, 169.1, 197-211, 241-254,  
366/279-292

See application file for complete search history.

(56) **References Cited**

**U.S. PATENT DOCUMENTS**

D187,040	S	*	1/1960	Strauss	.....	D7/597
3,235,130	A	*	2/1966	Waither et al.	.....	222/142.9
D214,831	S	*	8/1969	Lomont	.....	D7/598
D464,852	S	*	10/2002	Tang	.....	D7/679
D484,371	S	*	12/2003	Tang et al.	.....	D7/679
6,877,684	B2	*	4/2005	Wu	.....	241/169.1
D531,861	S	*	11/2006	Jossem et al.	.....	D7/679

D542,605	S	*	5/2007	Germany et al.	.....	D7/679
D554,954	S	*	11/2007	Germany et al.	.....	D7/679
D560,445	S	*	1/2008	Tardif et al.	.....	D7/679
D565,908	S	*	4/2008	Jossem	.....	D7/679
D565,910	S	*	4/2008	Krus et al.	.....	D7/679
D566,488	S	*	4/2008	Griffith et al.	.....	D7/679

\* cited by examiner

*Primary Examiner*—Caron D. Veynar

*Assistant Examiner*—Ricky Pham

(74) *Attorney, Agent, or Firm*—Seed IP Law Group PLLC

(57) **CLAIM**

The ornamental design for emulsifier, as shown and described.

**DESCRIPTION**

FIG. 1 is an isometric view of emulsifier showing our new design.

FIG. 2 is a front elevation view thereof.

FIG. 3 is a rear elevation view thereof.

FIG. 4 is a right side elevation view thereof.

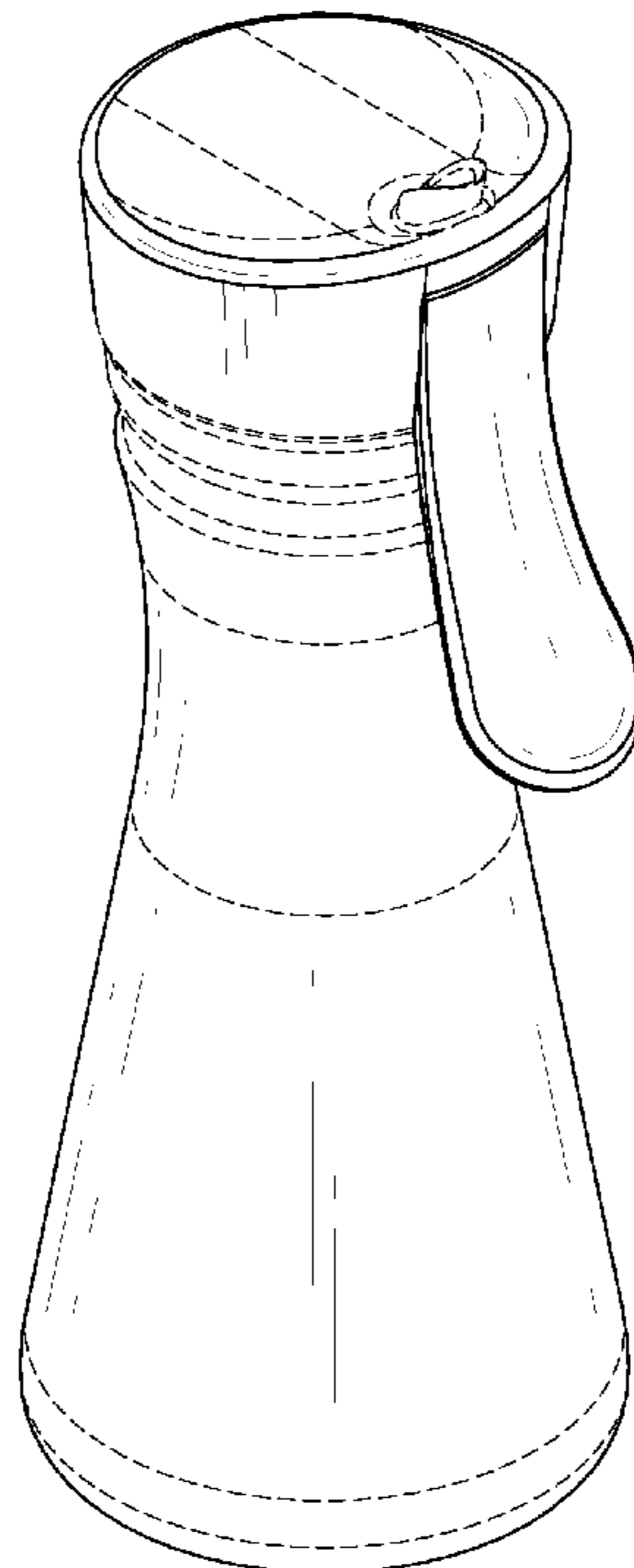
FIG. 5 is a left side elevation view thereof.

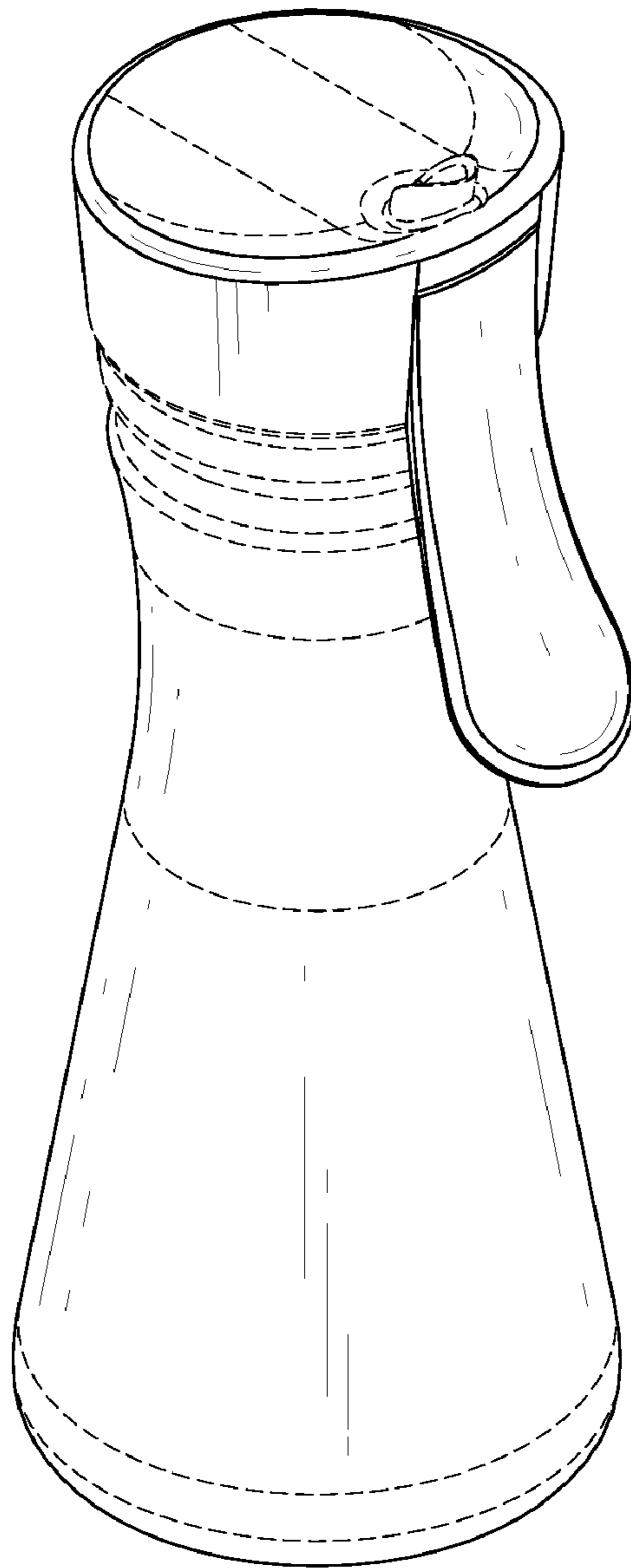
FIG. 6 is a top plan view thereof; and,

FIG. 7 is a bottom plan view thereof.

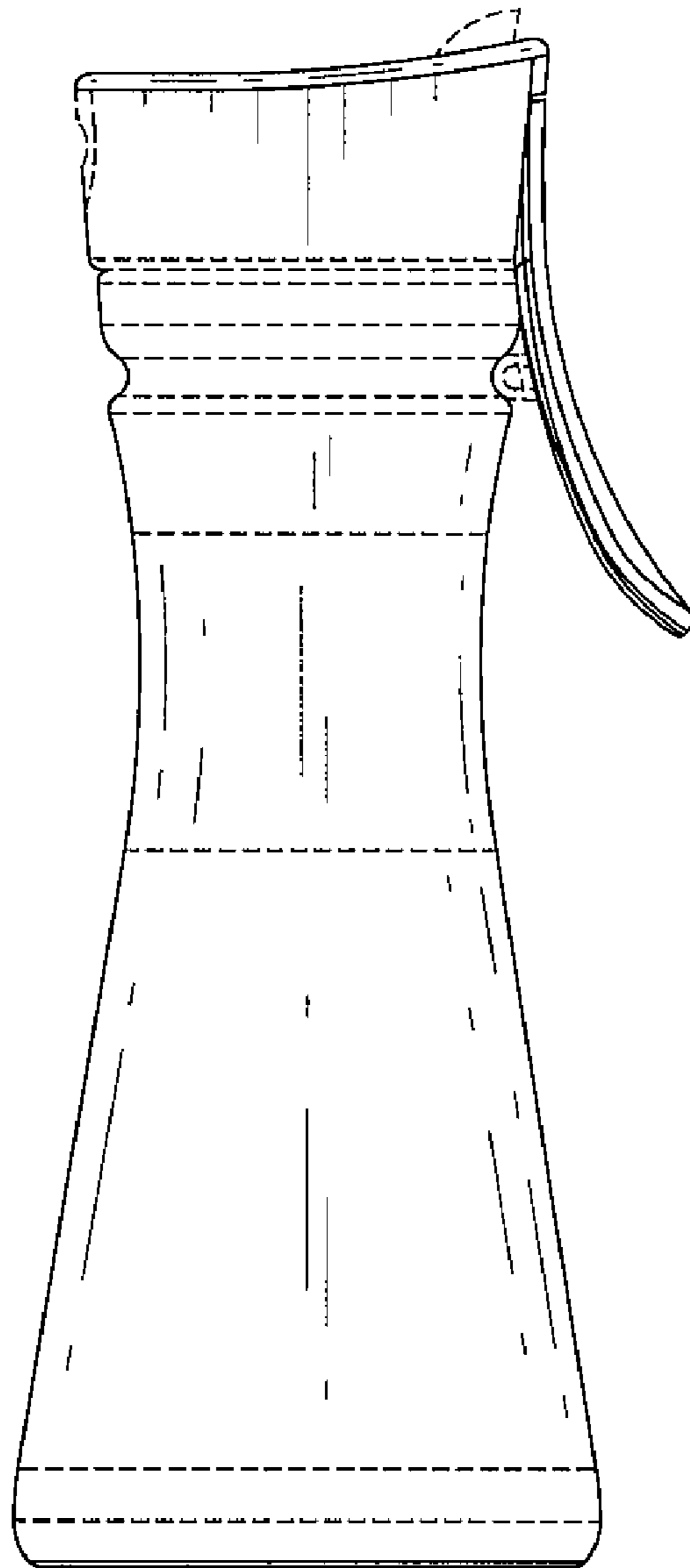
The broken lines in the figures are for illustrative purposes only and form no part of the claimed design.

**1 Claim, 6 Drawing Sheets**

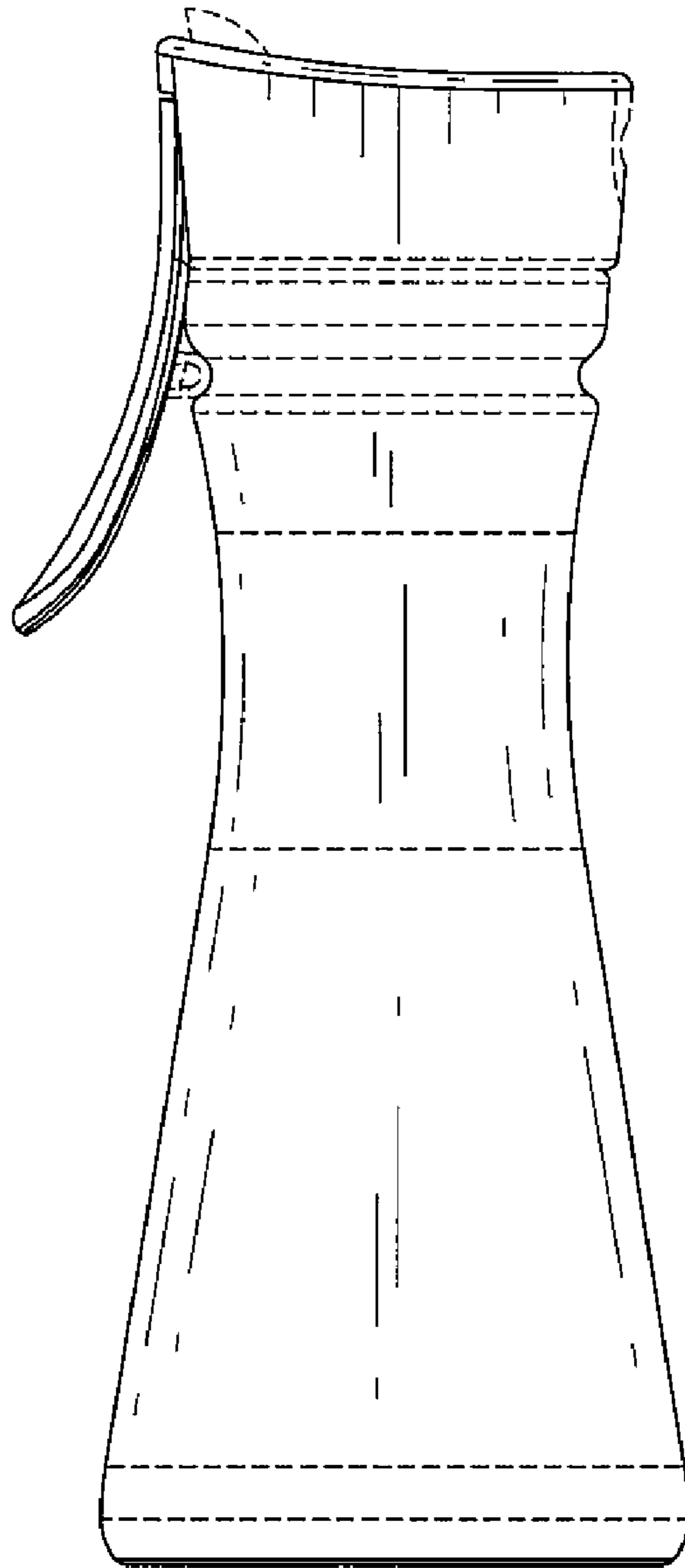




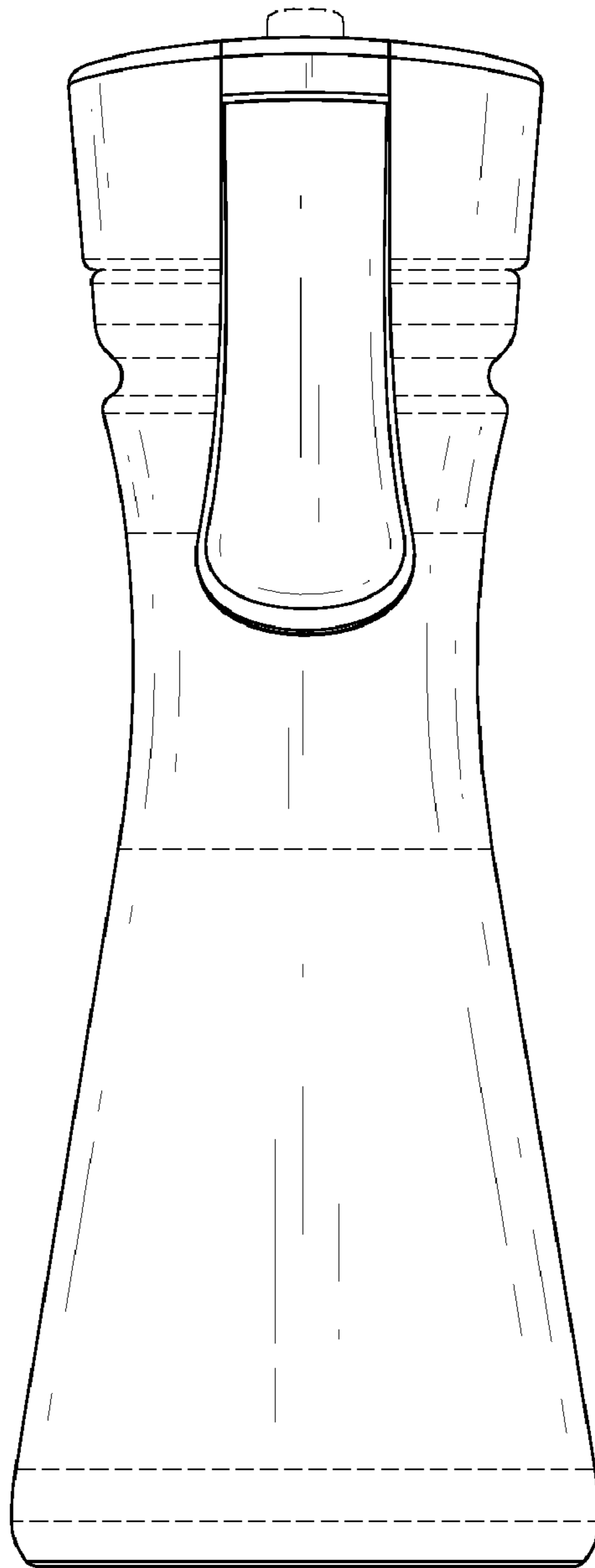
*FIG. 1*



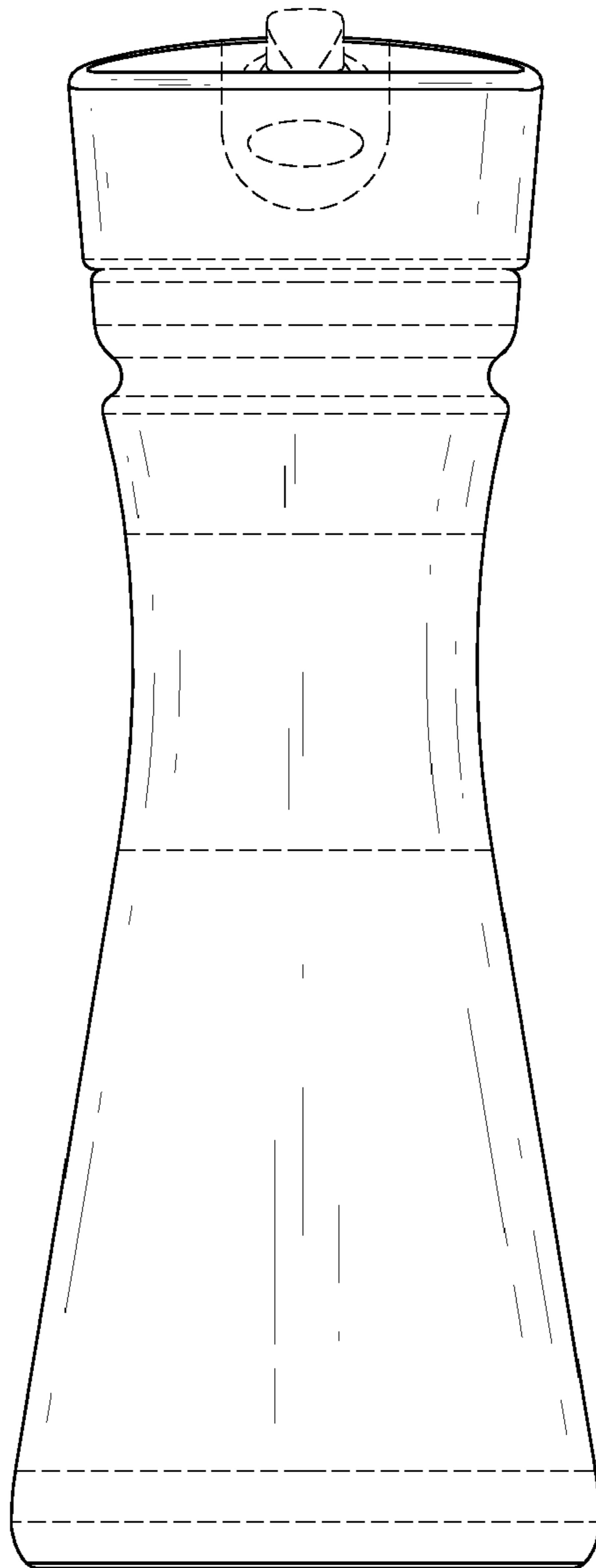
*FIG. 2*



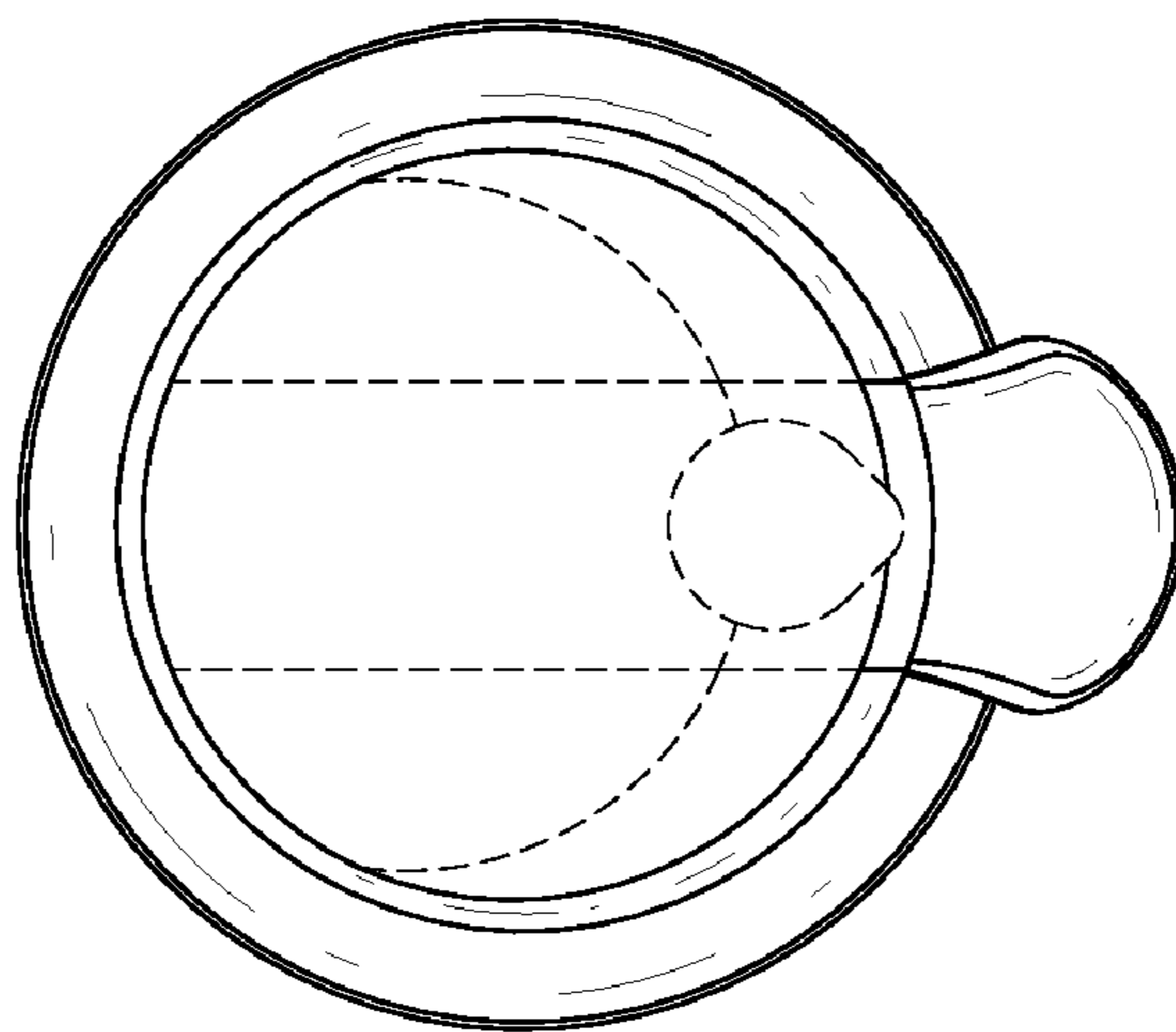
*FIG. 3*



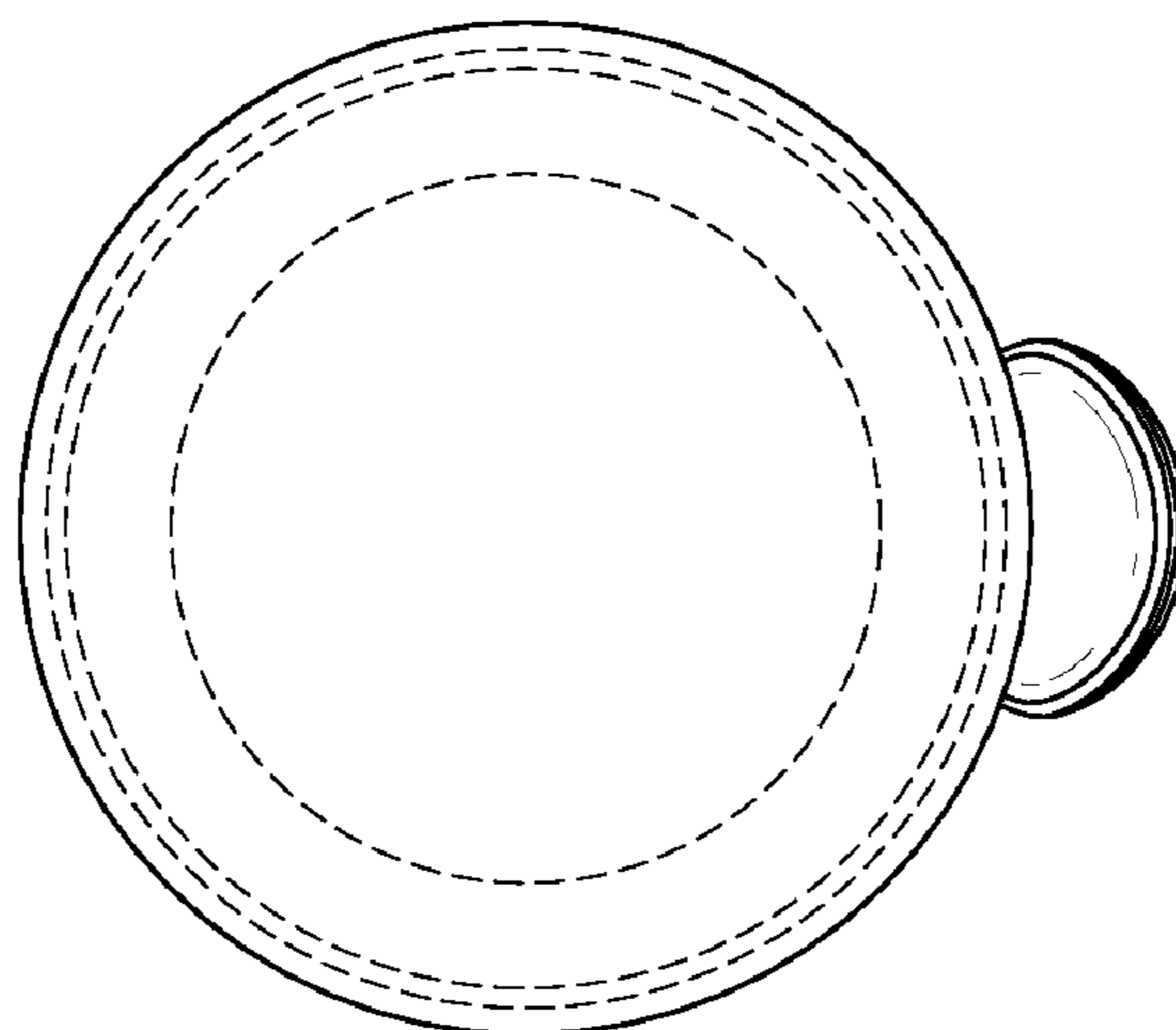
*FIG. 4*



*FIG. 5*



*FIG. 6*



*FIG. 7*