



US00D580701S

(12) **United States Design Patent**
Wojcik et al.

(10) **Patent No.:** **US D580,701 S**

(45) **Date of Patent:** **** Nov. 18, 2008**

(54) **HEATER**

(75) Inventors: **John A. Wojcik**, Sheboygan, WI (US);
William C. Lindeman, Marshall, WI (US)

(73) Assignee: **The Vollrath Company, L.L.C.**,
Sheboygan, WI (US)

(**) Term: **14 Years**

(21) Appl. No.: **29/271,437**

(22) Filed: **Jan. 18, 2007**

(51) **LOC (8) Cl.** **07-02**

(52) **U.S. Cl.** **D7/367**

(58) **Field of Classification Search** D7/350.1,
D7/350.3, 350.4, 351, 402, 405, 362-363,
D7/365, 367; 126/19 M, 21 R, 275 E, 273 A;
219/757, 758

See application file for complete search history.

(56) **References Cited**

U.S. PATENT DOCUMENTS

D261,849 S	*	11/1981	Funaki et al.	D7/367
D285,523 S	*	9/1986	Ayukawa et al.	D7/367
D289,130 S	*	4/1987	Rengeji et al.	D7/363
D289,847 S	*	5/1987	Okamoto et al.	D7/363
D296,509 S	*	7/1988	Fuke	D7/363
D297,701 S	*	9/1988	Nakagawa et al.	D7/363
D438,423 S	*	3/2001	Bassill et al.	D7/367
D501,117 S	*	1/2005	Bassill	D7/367

OTHER PUBLICATIONS

The Vollrath Co., LLC, Induction Range: Heavy-Duty Drop-In product specification for models 69505, 69508, 69521, 69524, bearing a designation of "Rev. Dec. 2003," 2 pages.

The Vollrath Co., LLC, Induction Range: Heavy-Duty Countertop product specification for models 69504, 69507, 69520, 69522, bearing a designation of "Rev. Dec. 2003," 2 pages.

The Vollrath Co., LLC, Induction Range: Heavy Duty Countertop product specification for model 69523, bearing a designation of "Rev. Dec. 2003," 2 pages.

The Vollrath Co., LLC, Intrigue Induction Ranges in Vollrath Smallwares & Light Equipment Catalog, pp. 6-23 and 6-24, bearing a designation of "2006-2007" and commercially available before the filing date of the application, 2 pages.

The Vollrath Co., LLC, Induction Range: Commercial Drop-In product specification for model 69501, bearing a designation of "Rev. Dec. 2003," 2 pages.

The Vollrath Co., LLC, Induction Range: Commercial Countertop product specification for model 69503, bearing a designation of "Rev. Dec. 2003," 2 pages.

The Vollrath Co., LLC, Induction Range: Commercial Countertop product specification for models 69500 and 69510, bearing a designation of "Rev. Dec. 2003," 2 pages.

* cited by examiner

Primary Examiner—Ruth McInroy

(74) *Attorney, Agent, or Firm*—Foley & Lardner LLP

(57) **CLAIM**

We claim the ornamental design for a heater, as shown and described.

DESCRIPTION

FIG. 1 is a perspective view of a heater showing our new design;

FIG. 2 is a top view thereof;

FIG. 3 is a front view thereof;

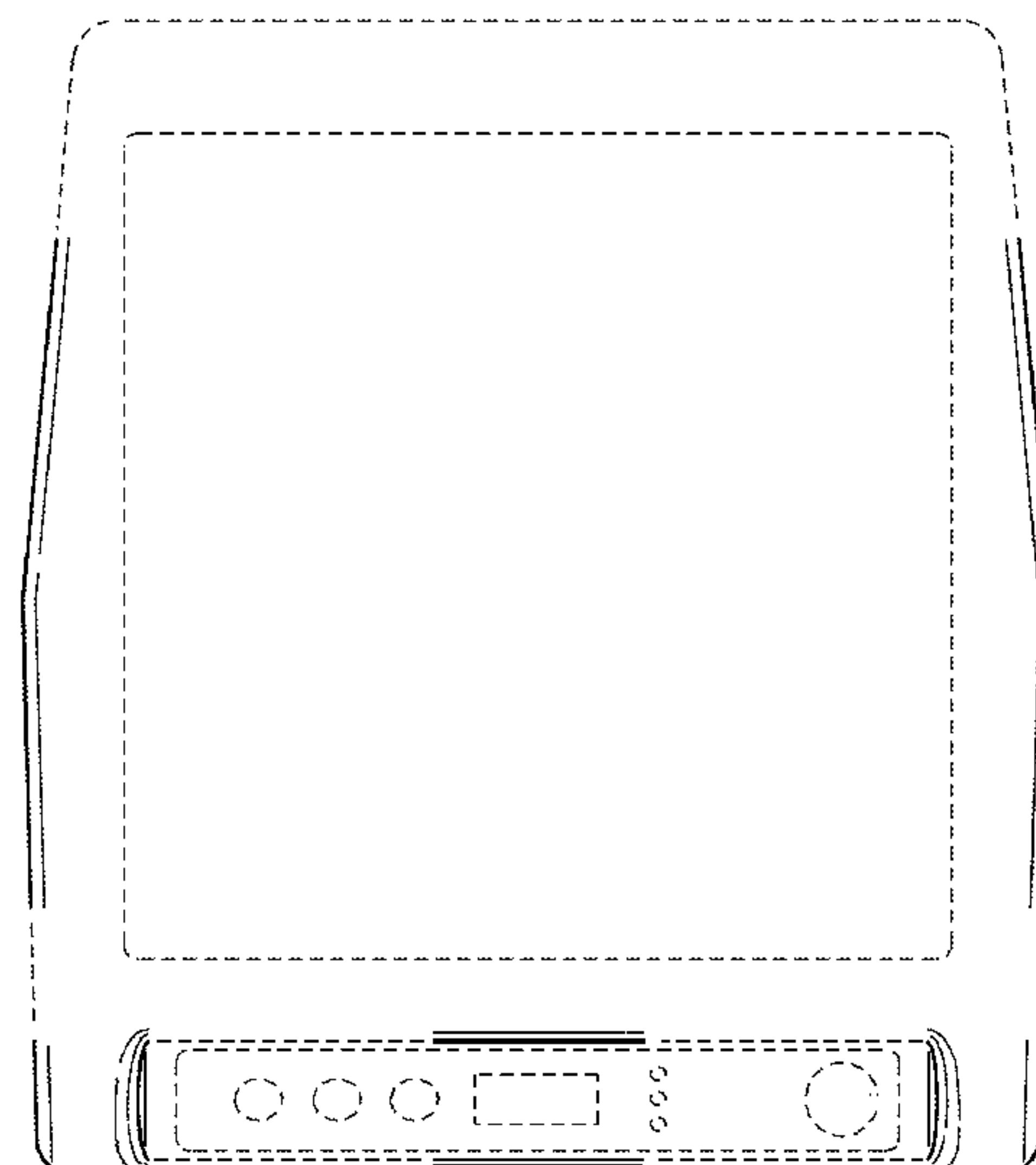
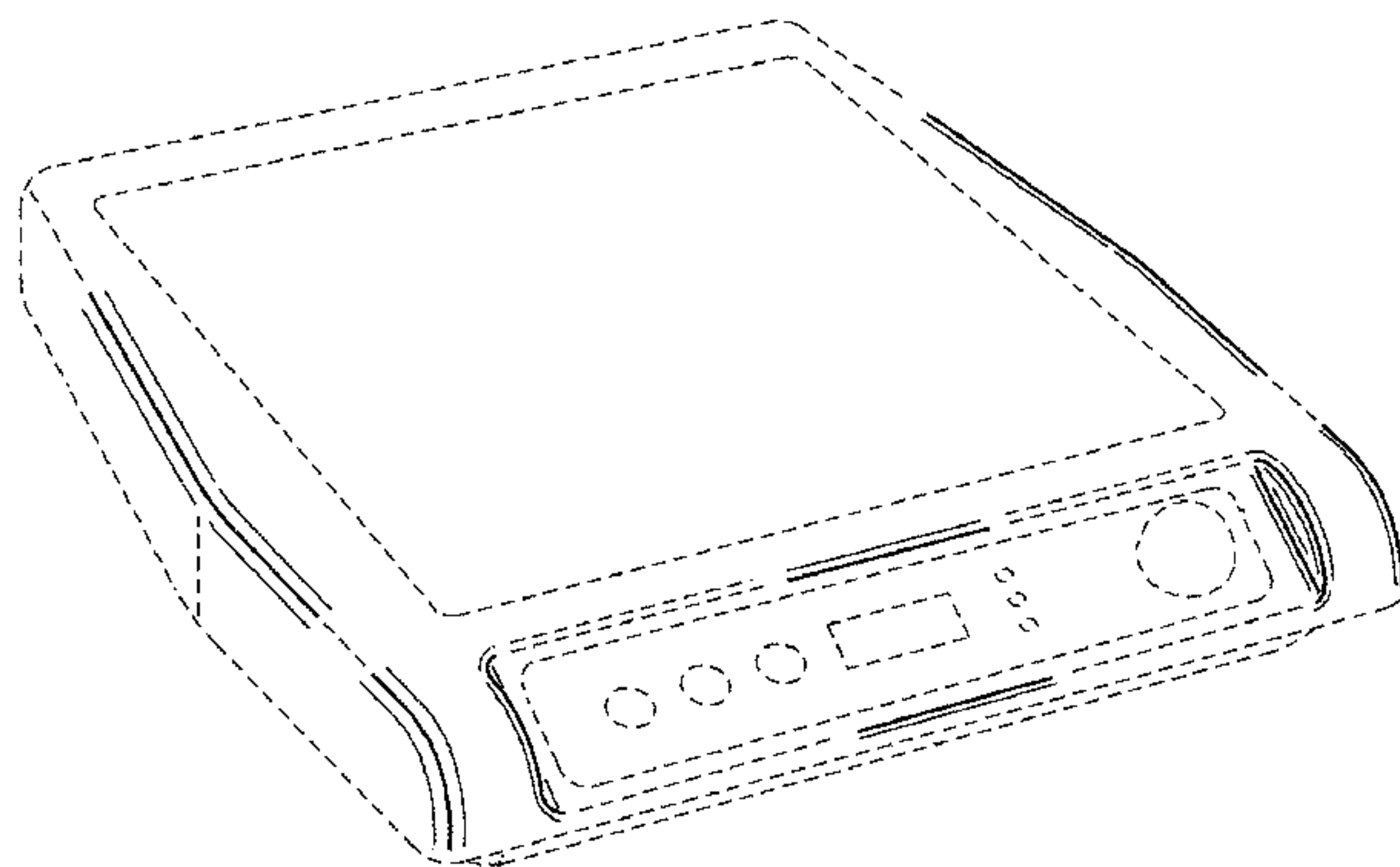
FIG. 4 is a left side view thereof;

FIG. 5 is a right side view thereof; and,

FIG. 6 is a rear view thereof.

The ornamental design which is claimed is shown in solid lines in the drawings. The broken lines in the drawings are for illustrative purposes only and form no part of the claimed design.

1 Claim, 4 Drawing Sheets



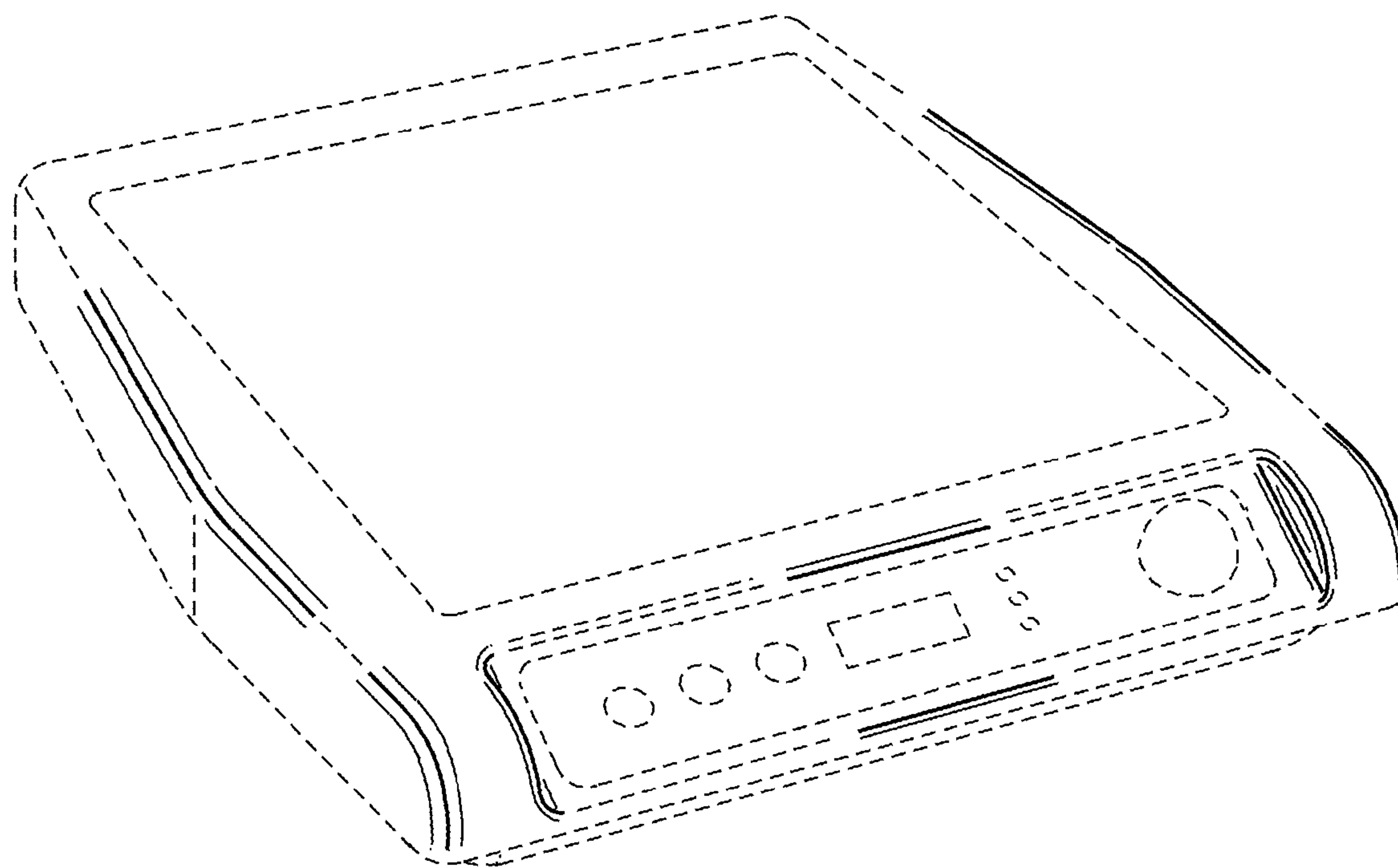


FIG. 1

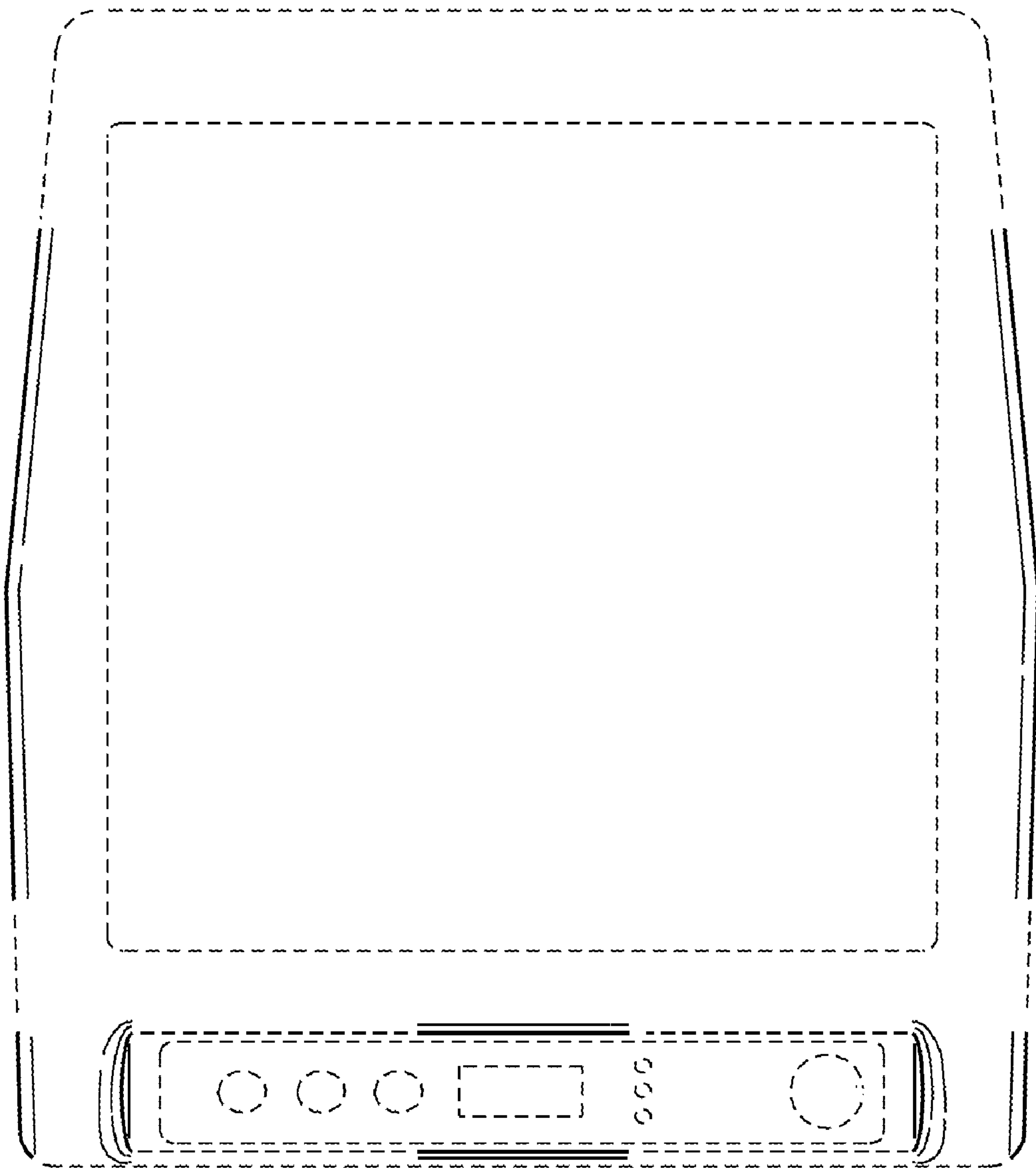


FIG. 2

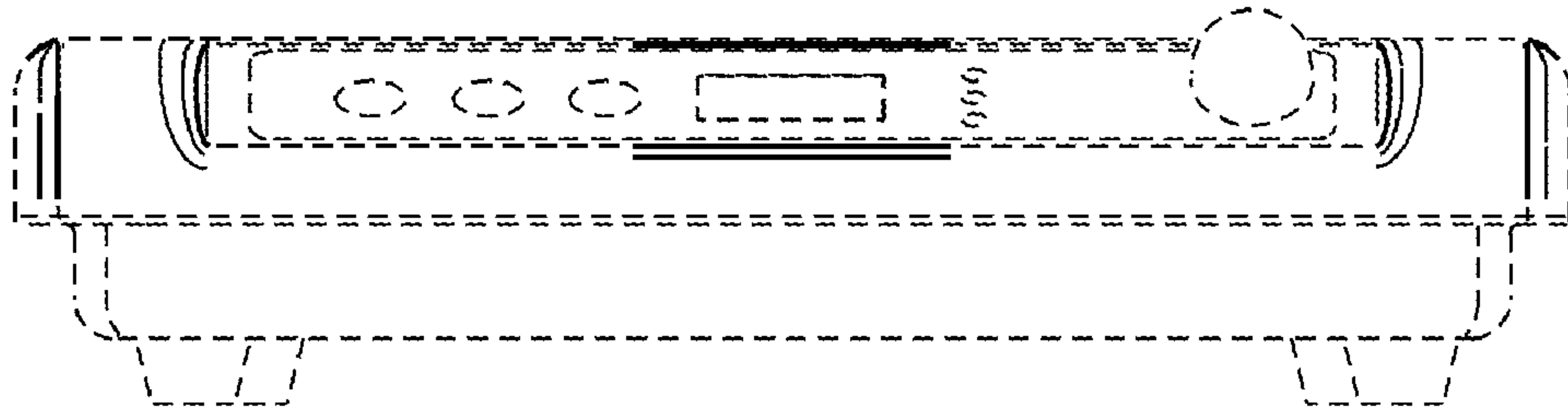


FIG. 3

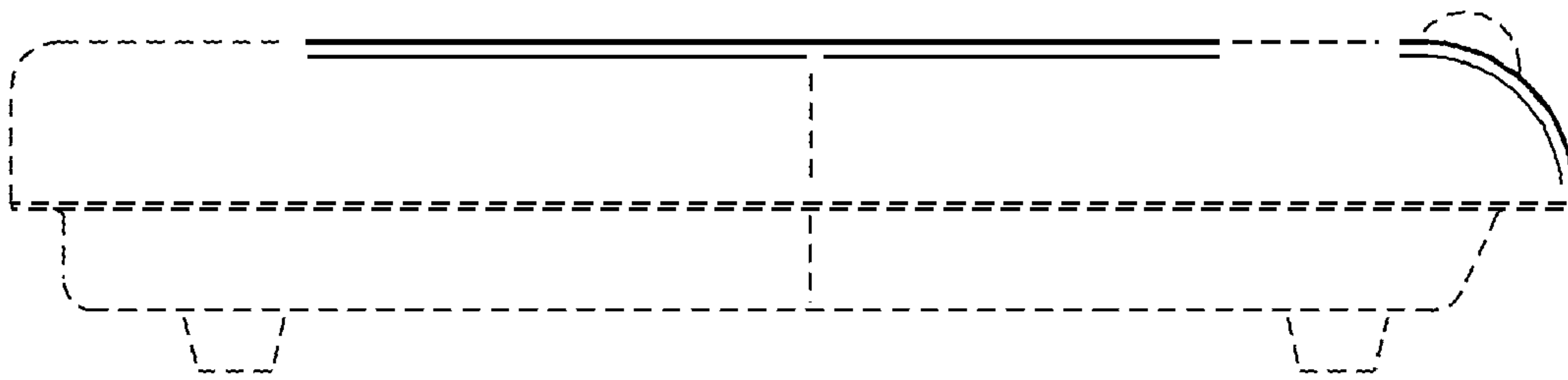


FIG. 4

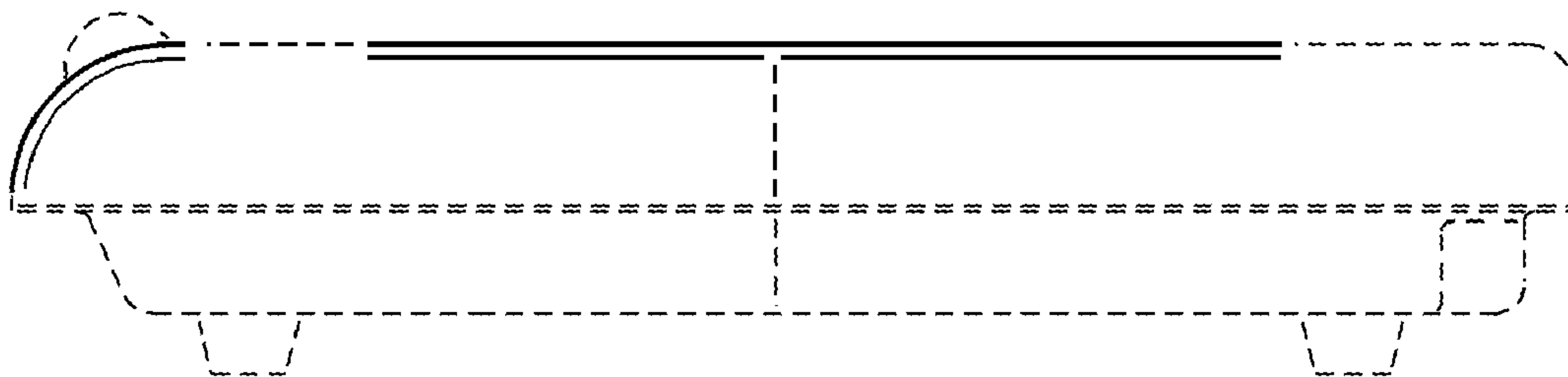


FIG. 5

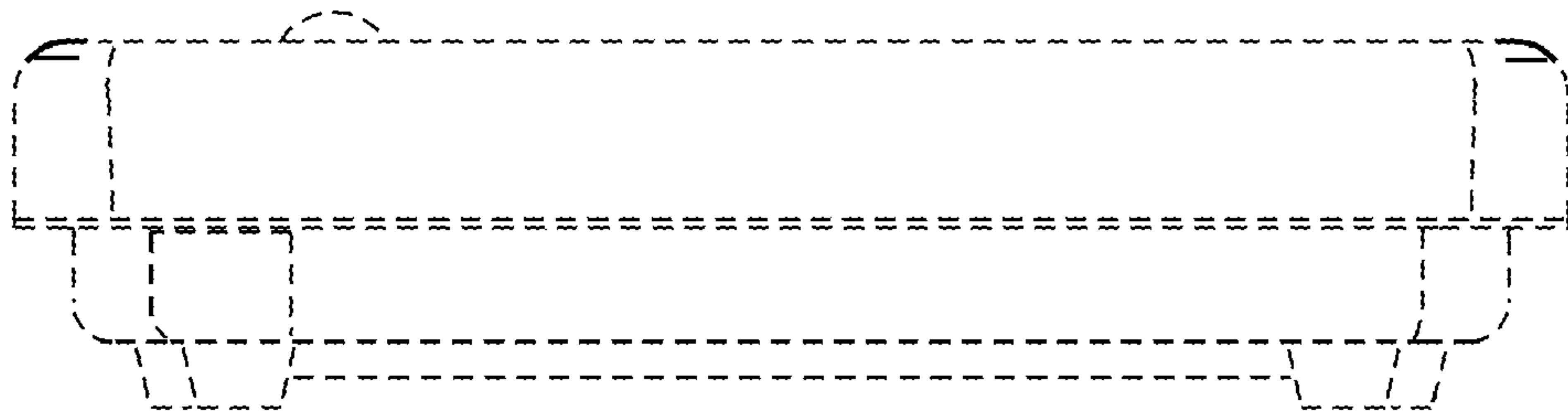


FIG. 6