



US00D580699S

(12) **United States Design Patent**
Averty

(10) **Patent No.:** **US D580,699 S**

(45) **Date of Patent:** **** Nov. 18, 2008**

(54) **WAFFLE IRON**

(75) Inventor: **Lionel Averty**, Dijon (FR)

(73) Assignee: **Tefal**, Rumilly (FR)

(**) Term: **14 Years**

(21) Appl. No.: **29/305,241**

(22) Filed: **Mar. 17, 2008**

(30) **Foreign Application Priority Data**

Sep. 19, 2007 (FR) 07 4232

(51) **LOC (8) Cl.** **07-02**

(52) **U.S. Cl.** **D7/352**

(58) **Field of Classification Search** D3/298;
D7/323, 328-332, 334-341, 347-349, 352-363,
D7/609; 99/219, 331, 339-340, 349, 369,
99/372-375, 385-386, 389, 425, 444, 446,
99/466, 601, 618, 620; 219/524-525, 620-622,
219/732-734

See application file for complete search history.

(56) **References Cited**

U.S. PATENT DOCUMENTS

D367,994 S * 3/1996 Bloom et al. D7/352
D411,937 S * 7/1999 Siegler et al. D7/352
D413,759 S * 9/1999 Carrere D7/352
D439,796 S * 4/2001 Edwards et al. D7/352
D452,411 S * 12/2001 Gruaz D7/352
D507,929 S * 8/2005 Steinberg et al. D7/352

D527,941 S * 9/2006 Serra D7/352
D539,074 S * 3/2007 Lubowicki D7/352
D541,582 S * 5/2007 Chuang et al. D7/352
D546,619 S * 7/2007 McHutchison D7/352
D571,143 S * 6/2008 He D7/352

FOREIGN PATENT DOCUMENTS

WO WO 2005/002407 A1 * 1/2005

* cited by examiner

Primary Examiner—Caron D. Veynar

Assistant Examiner—Ricky Pham

(74) *Attorney, Agent, or Firm*—Young & Thompson

(57) **CLAIM**

The ornamental design for a waffle iron, as shown and described.

DESCRIPTION

FIG. 1 is a front elevational view of a waffle iron showing my new design;

FIG. 2 is a top plan view thereof;

FIG. 3 is a bottom plan view thereof;

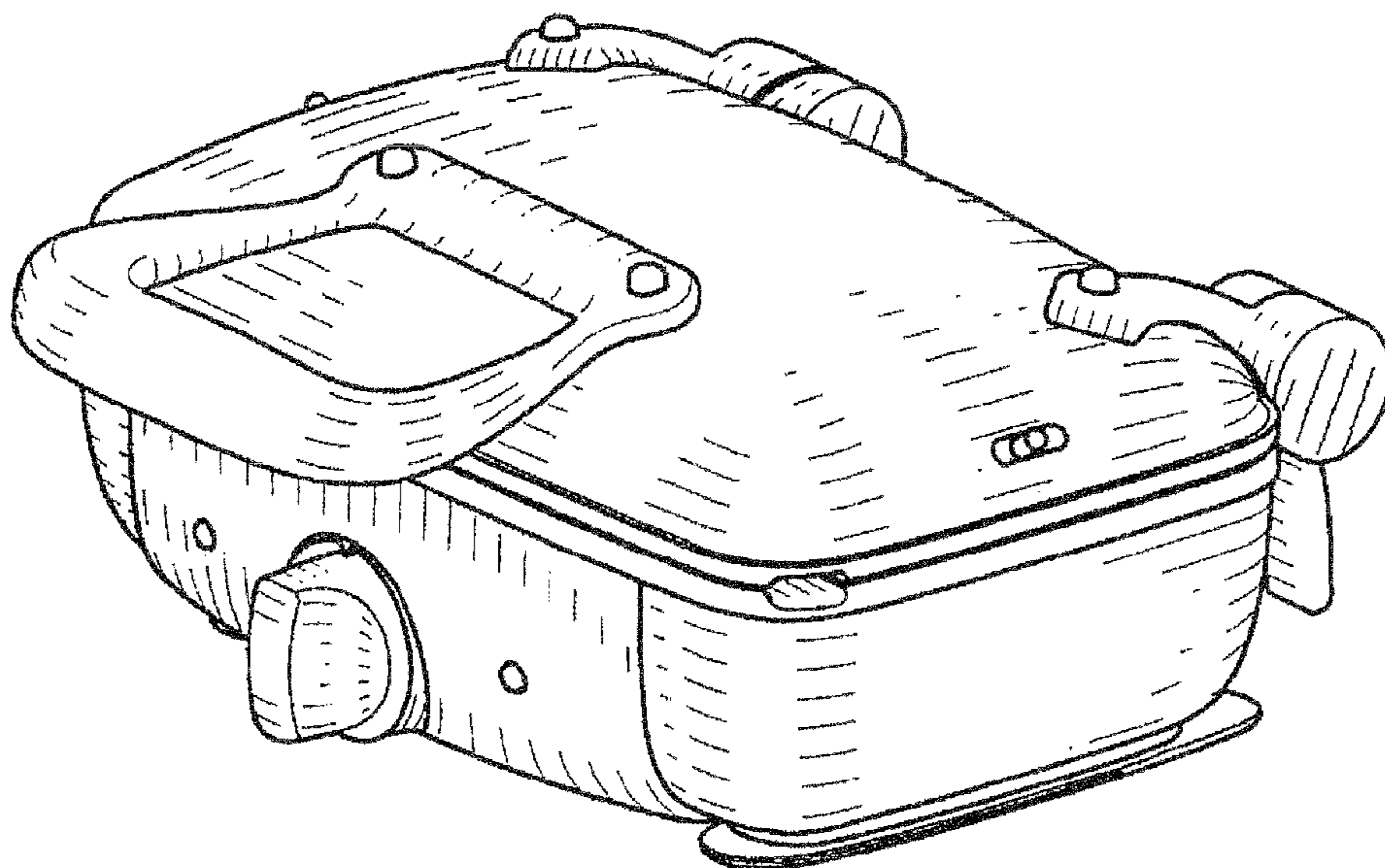
FIG. 4 is a side elevational view thereof from the right of FIG. 1;

FIG. 5 is a side elevational view thereof from the left of FIG. 1;

FIG. 6 is a rear elevational view thereof; and,

FIG. 7 is a top, front and side perspective view thereof.

1 Claim, 7 Drawing Sheets



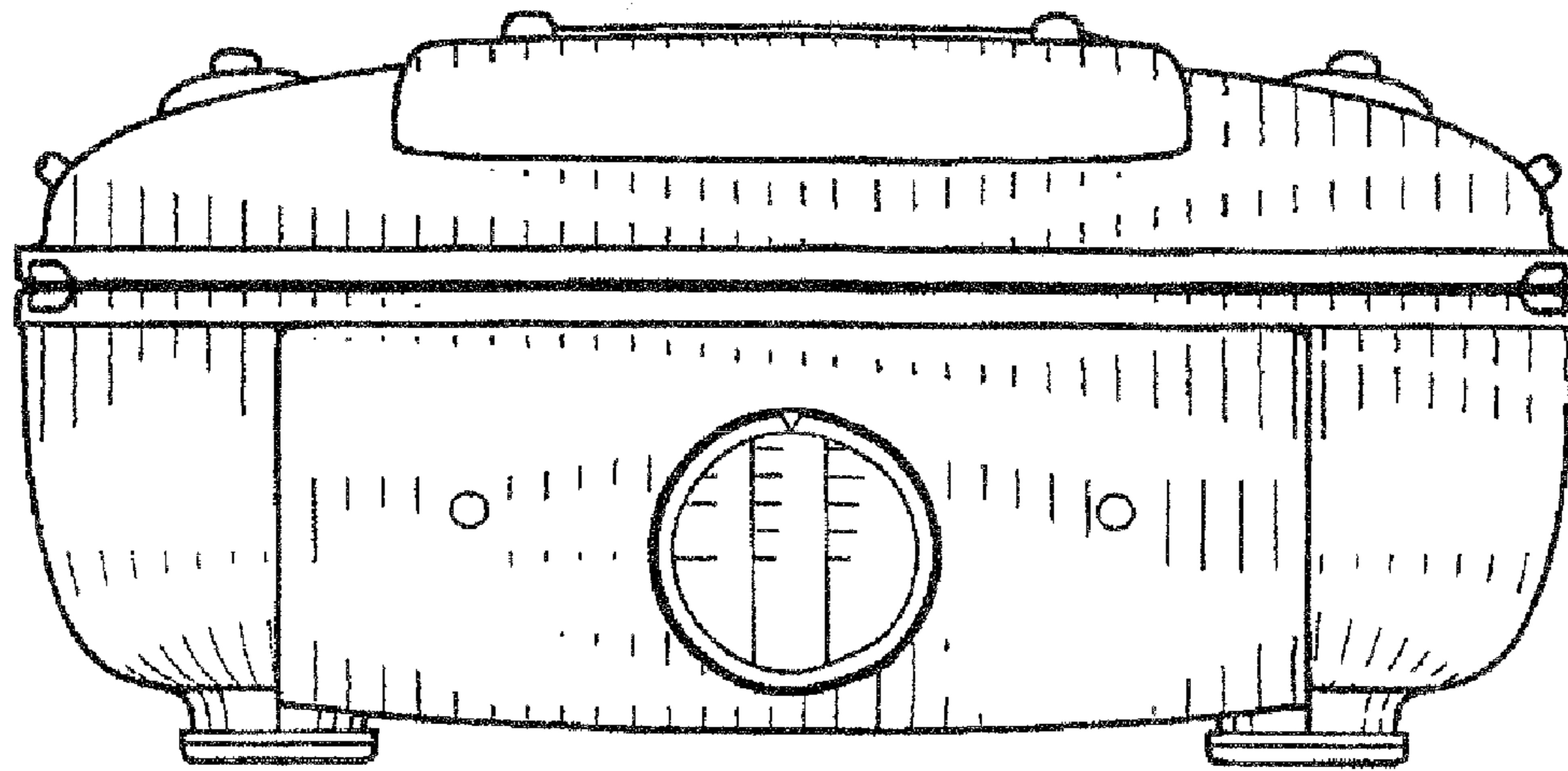


Fig. 1

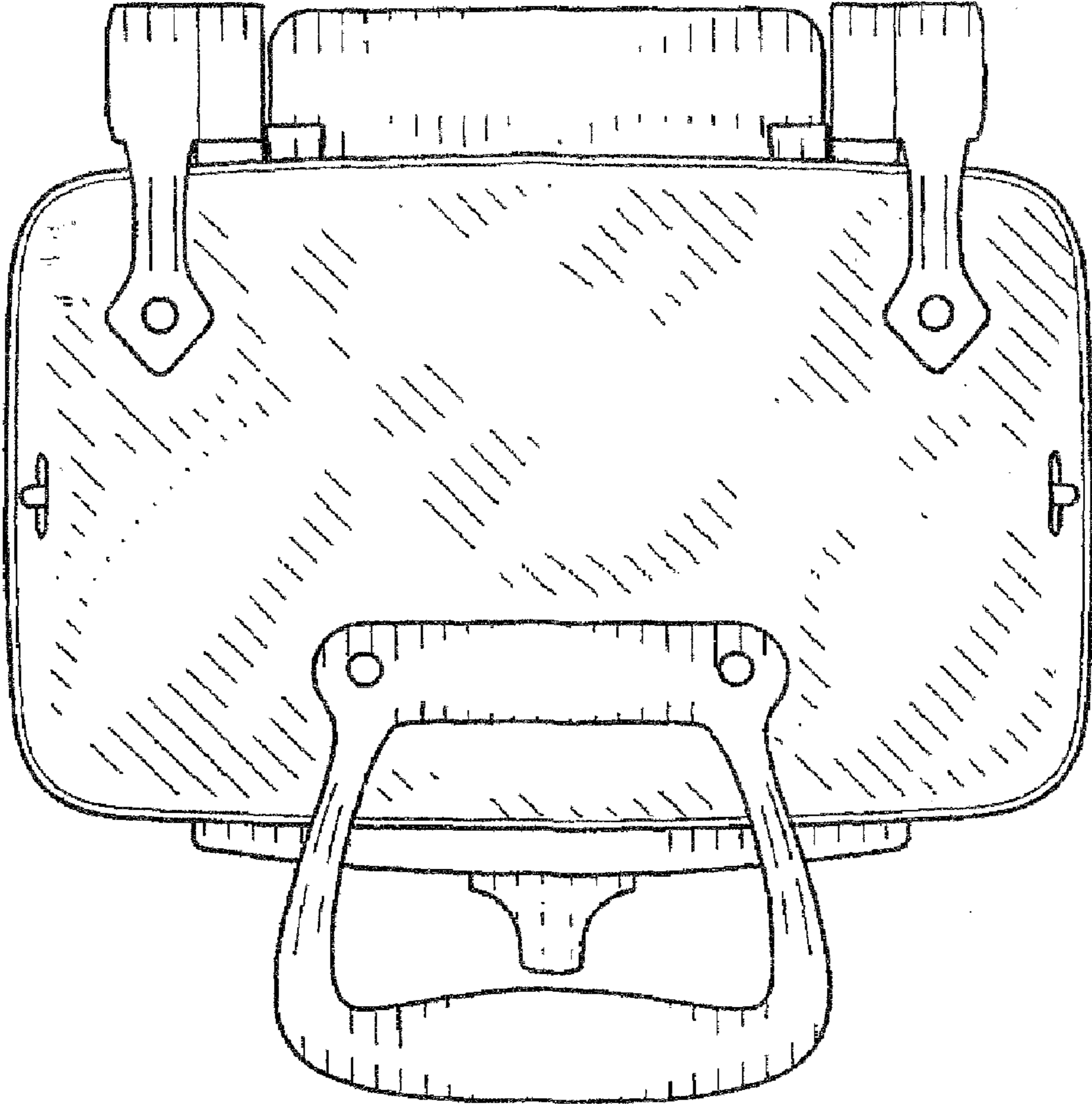


Fig. 2

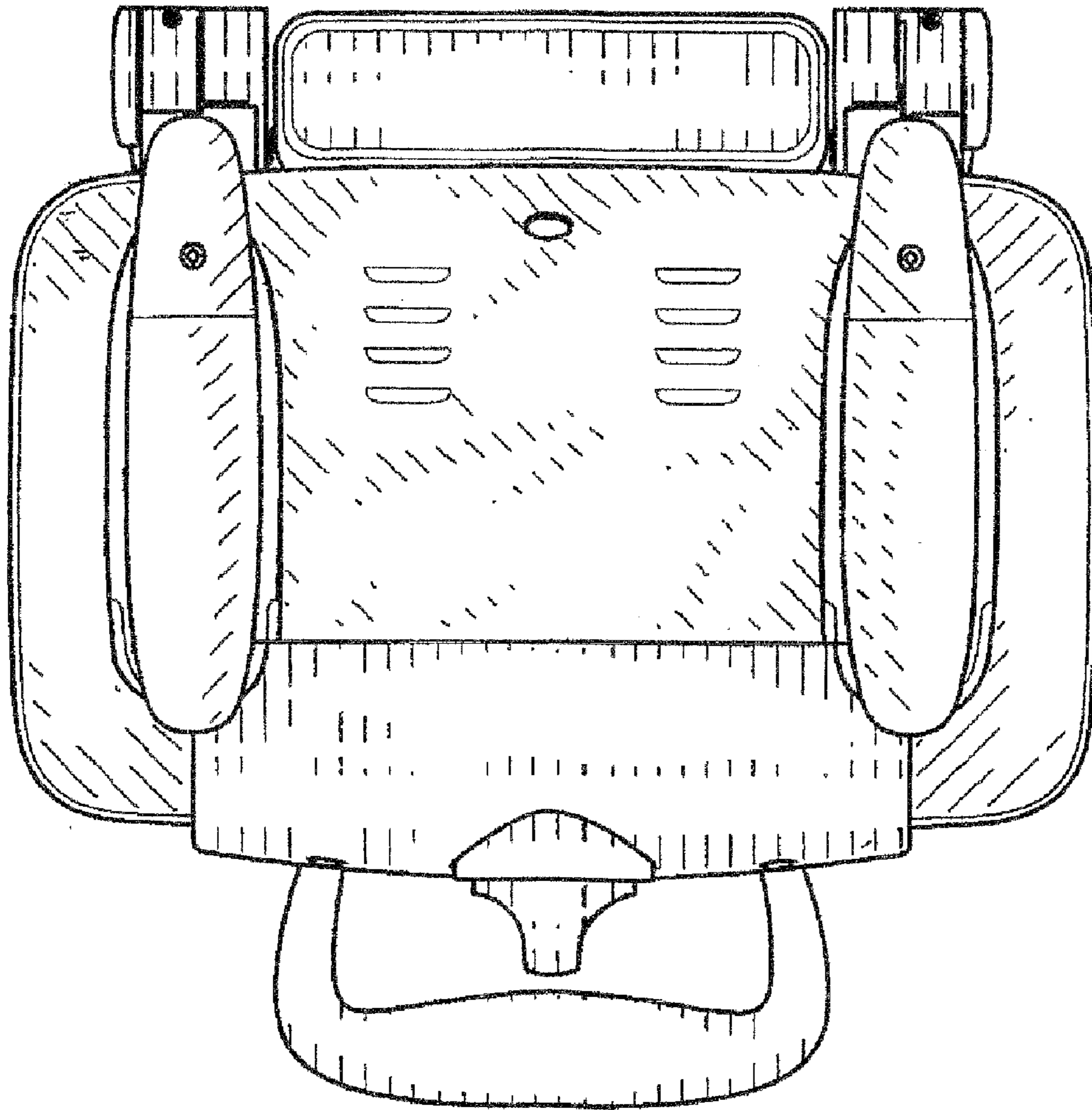


Fig. 3

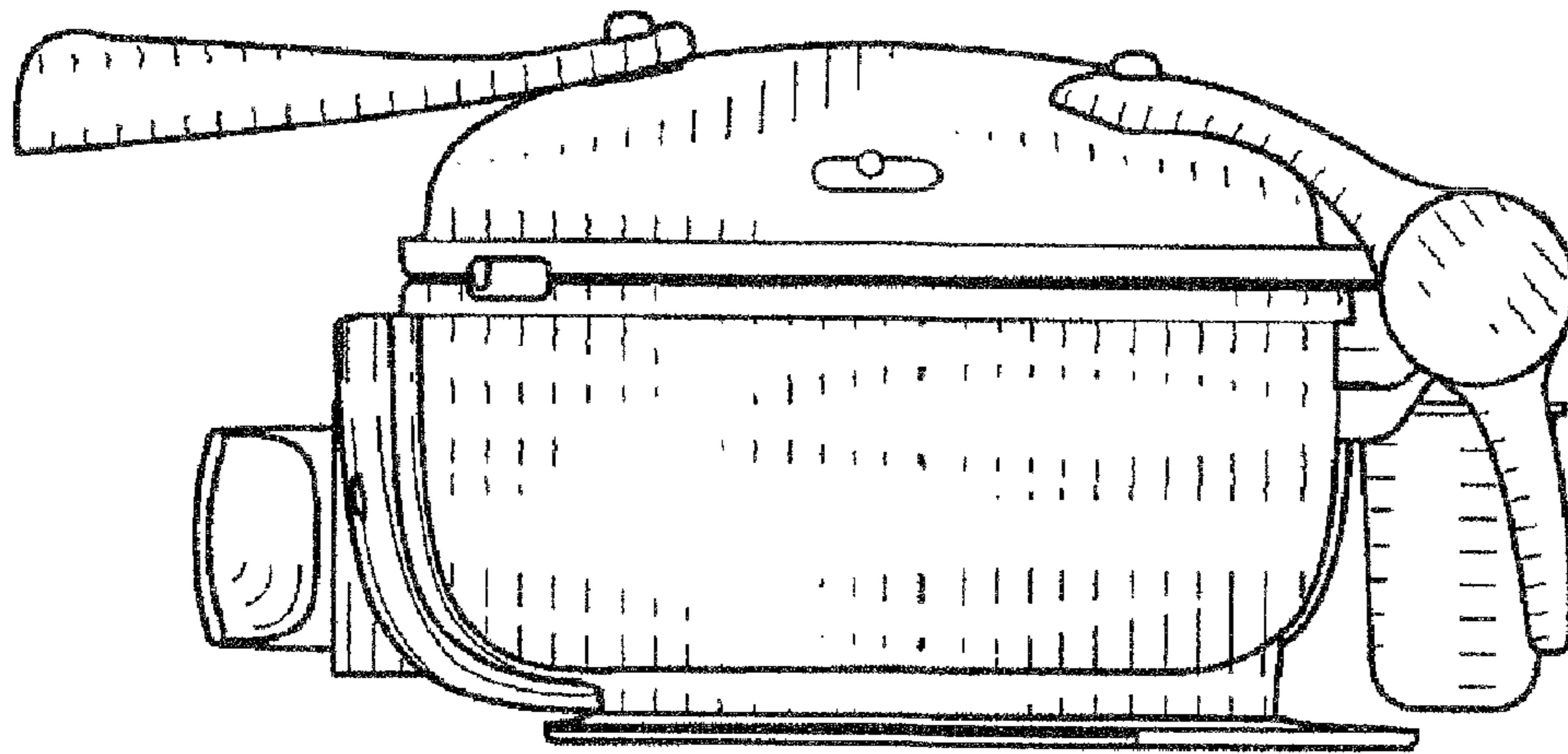


Fig. 4

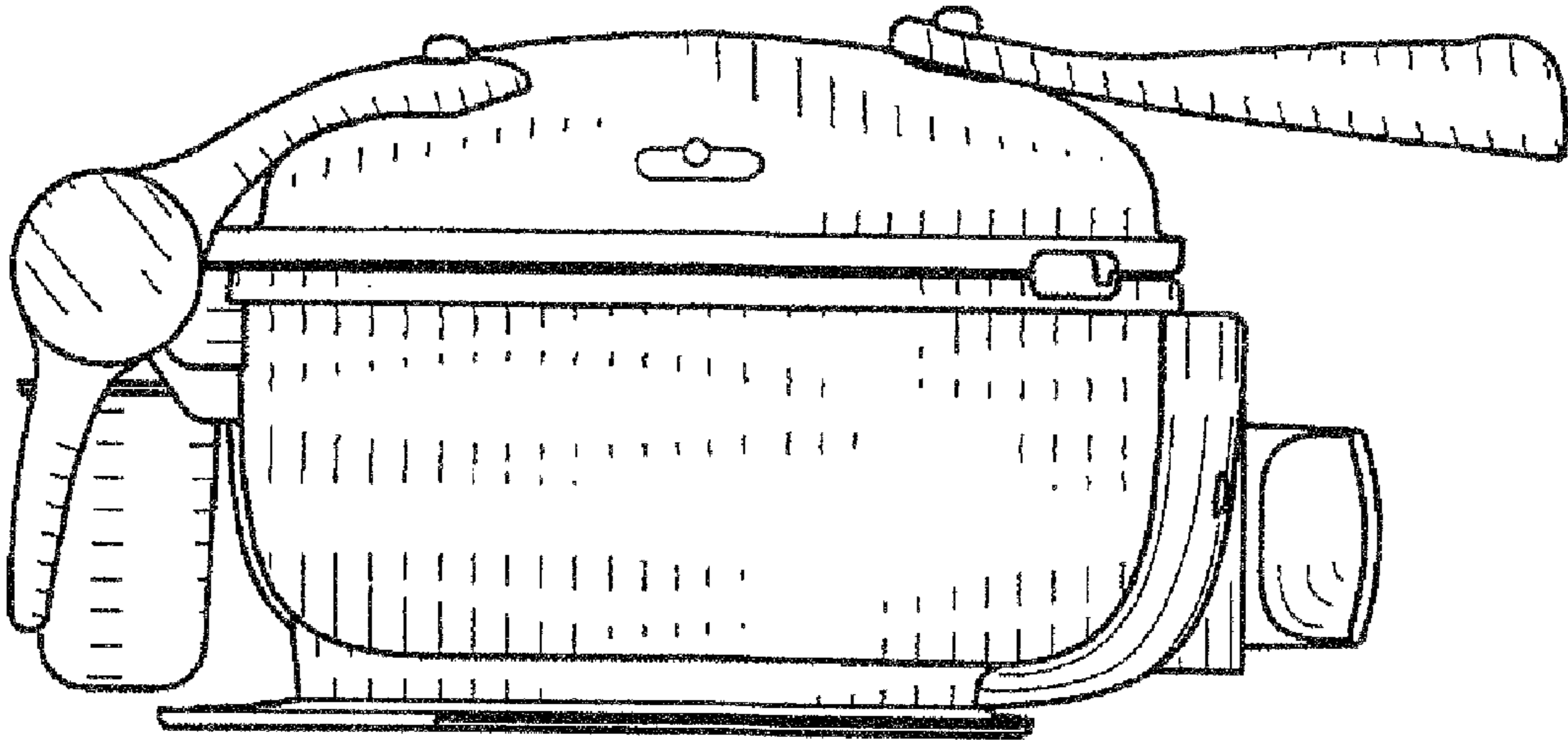


Fig. 5

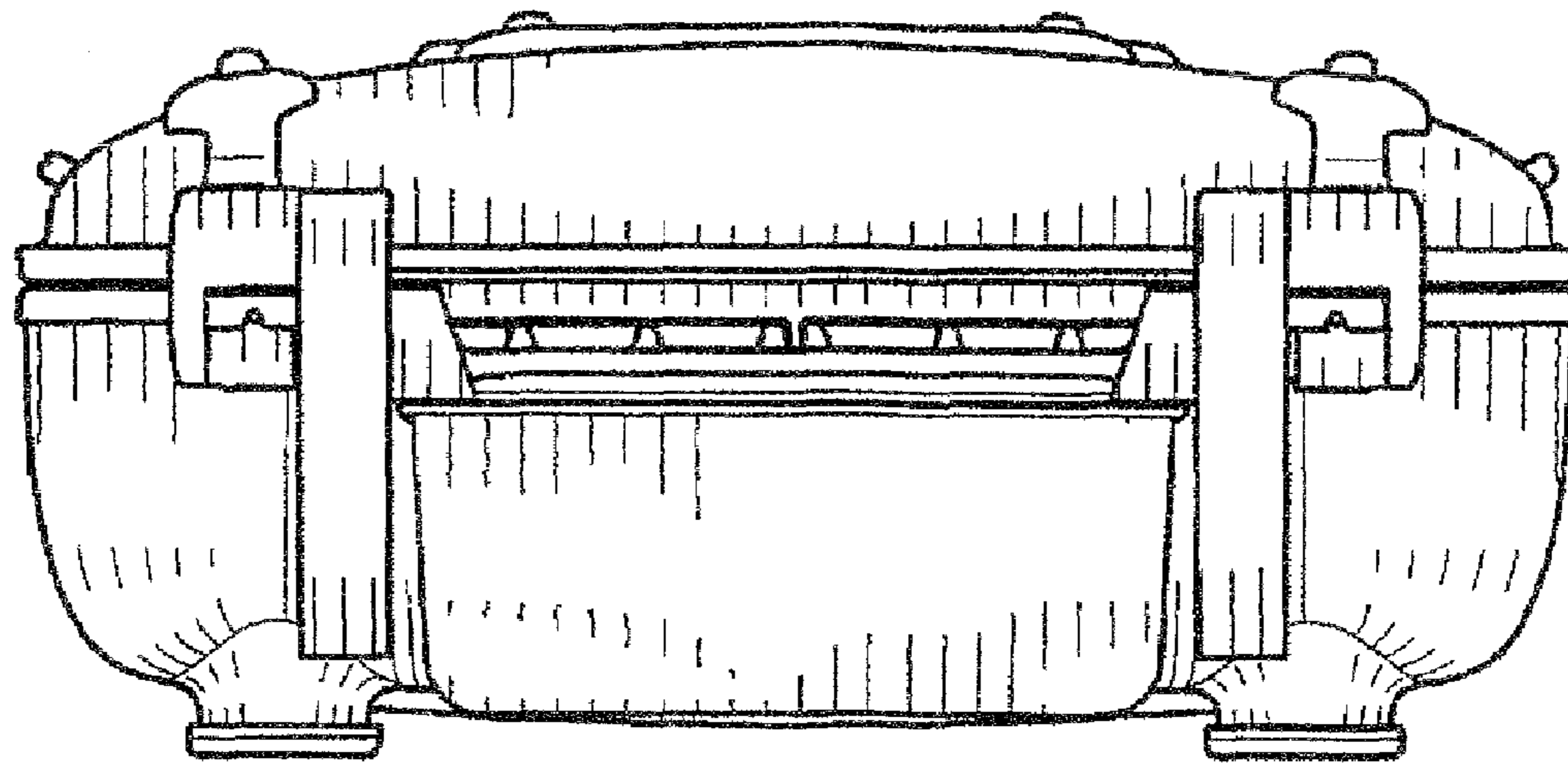


Fig. 6

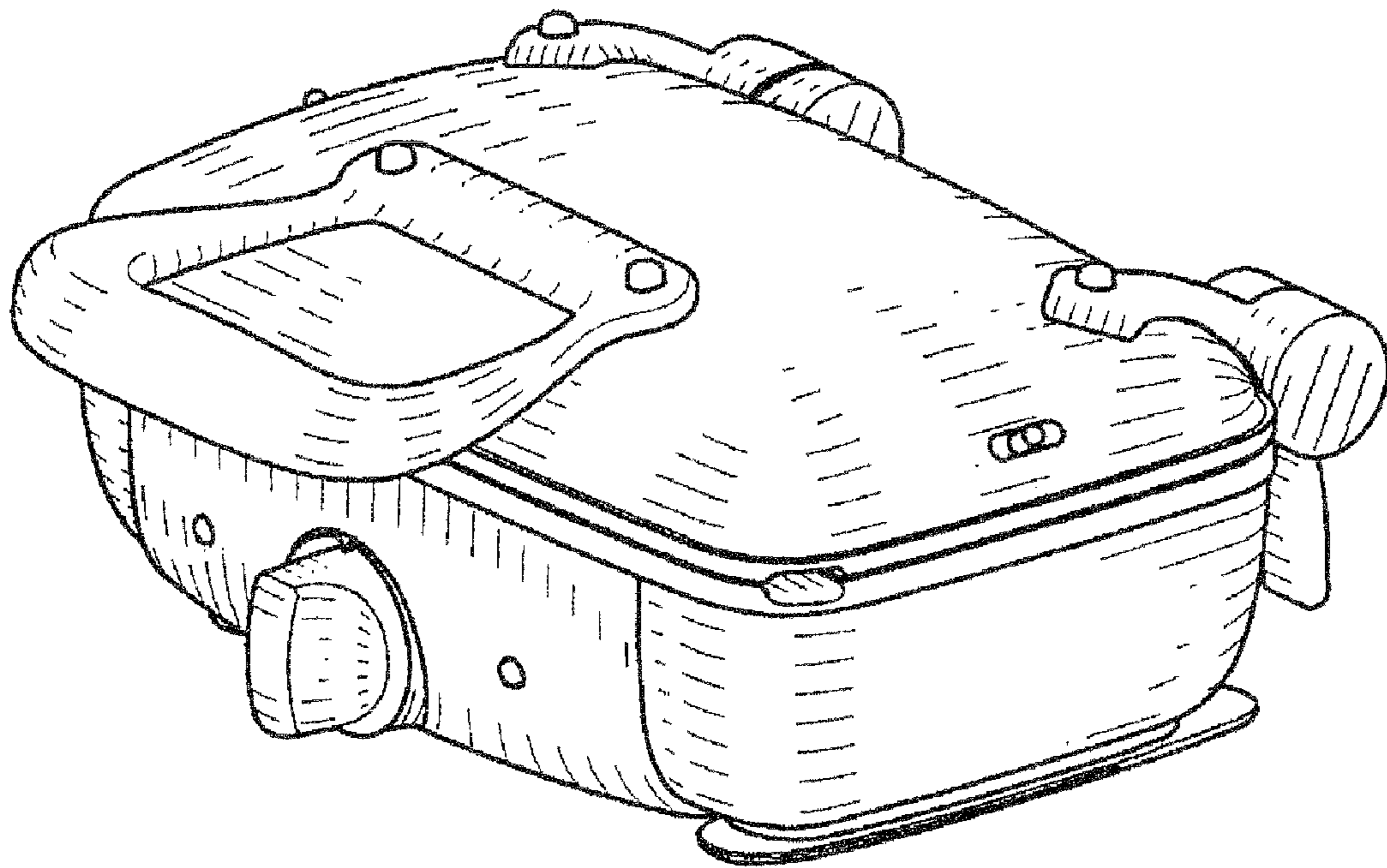


Fig. 7