



US00D580698S

(12) **United States Design Patent**
Kim et al.

(10) **Patent No.:** **US D580,698 S**
(45) **Date of Patent:** **** Nov. 18, 2008**

(54) **OVEN**

(75) Inventors: **Kang Doo Kim**, Kyunggi-do (KR); **Joo Hee Lee**, London (GB)

(73) Assignee: **Samsung Electronics Co., Ltd.**, Suwon (KR)

(**) Term: **14 Years**

(21) Appl. No.: **29/294,628**

(22) Filed: **Jan. 18, 2008**

(51) **LOC (8) Cl.** **07-02**

(52) **U.S. Cl.** **D7/348**

(58) **Field of Classification Search** D7/340,
D7/339, 341, 351, 350.1, 350.2, 350.3, 350.4,
D7/402-407, 346-348; 126/19 R, 39 B,
126/39 C, 39 R, 273 R, 50, 19 M, 275 E,
126/273 A; 219/756-758, 391, 402, 393;
99/DIG. 14

See application file for complete search history.

(56) **References Cited**

U.S. PATENT DOCUMENTS

D523,685 S * 6/2006 Jung et al. D7/340

D526,527 S * 8/2006 Jung et al. D7/348
D530,561 S * 10/2006 Kim D7/351
D538,581 S * 3/2007 Lee et al. D7/340
D540,106 S * 4/2007 Jeon D7/351
D552,920 S * 10/2007 Chung et al. D7/348

* cited by examiner

Primary Examiner—Catherine R Oliver
(74) *Attorney, Agent, or Firm*—Ladas & Parry LLP

(57) **CLAIM**

We claim the ornamental design for oven, as shown.

DESCRIPTION

FIG. 1 is a front/right-side/top perspective view of oven showing our new design;

FIG. 2 is a front elevational view thereof;

FIG. 3 is a rear elevational view thereof;

FIG. 4 is a left-side elevational view thereof;

FIG. 5 is a right-side elevational view thereof;

FIG. 6 is a top-plan elevational view thereof; and,

FIG. 7 is a bottom-plan elevational view thereof.

1 Claim, 7 Drawing Sheets

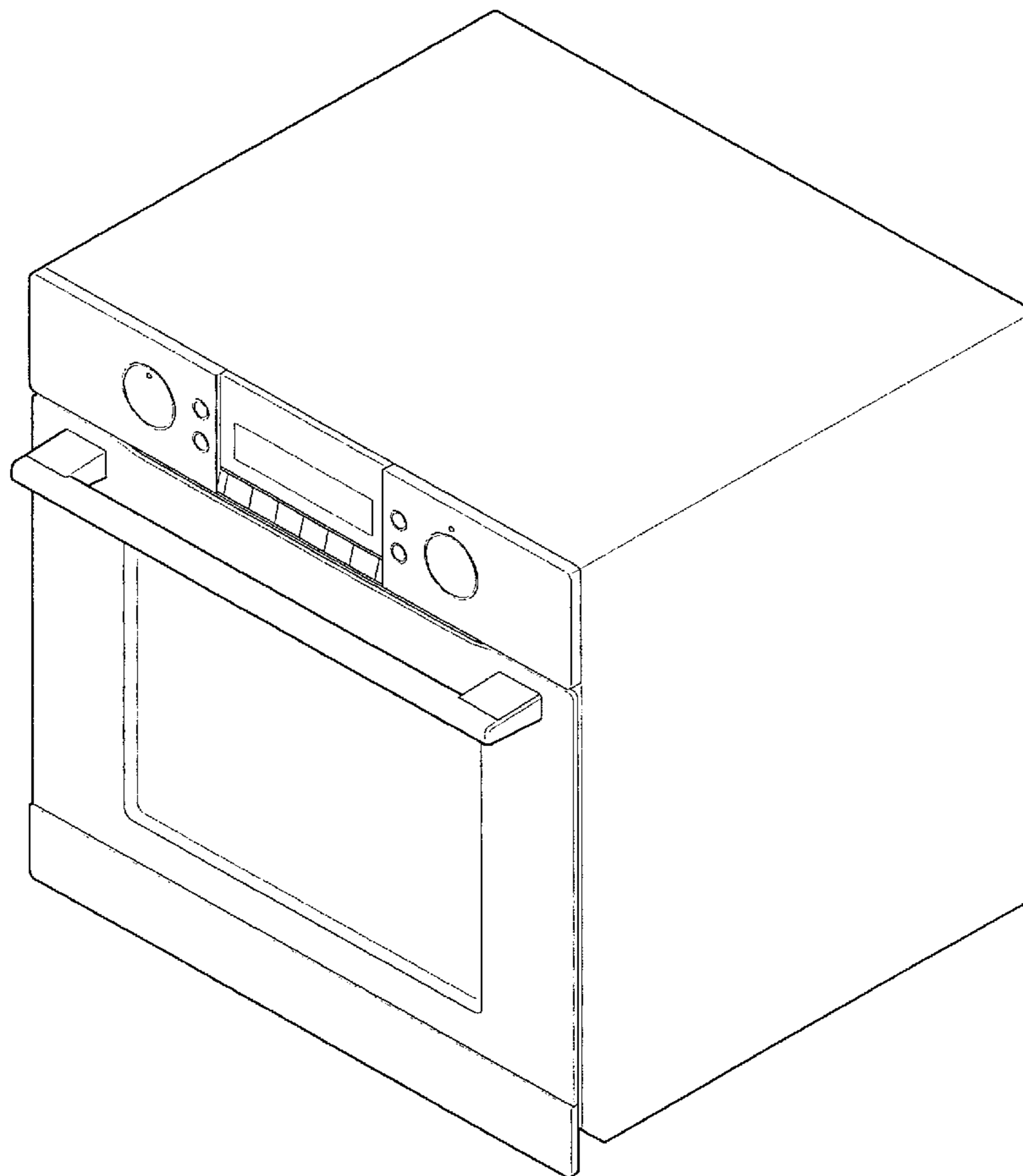


FIG. 1

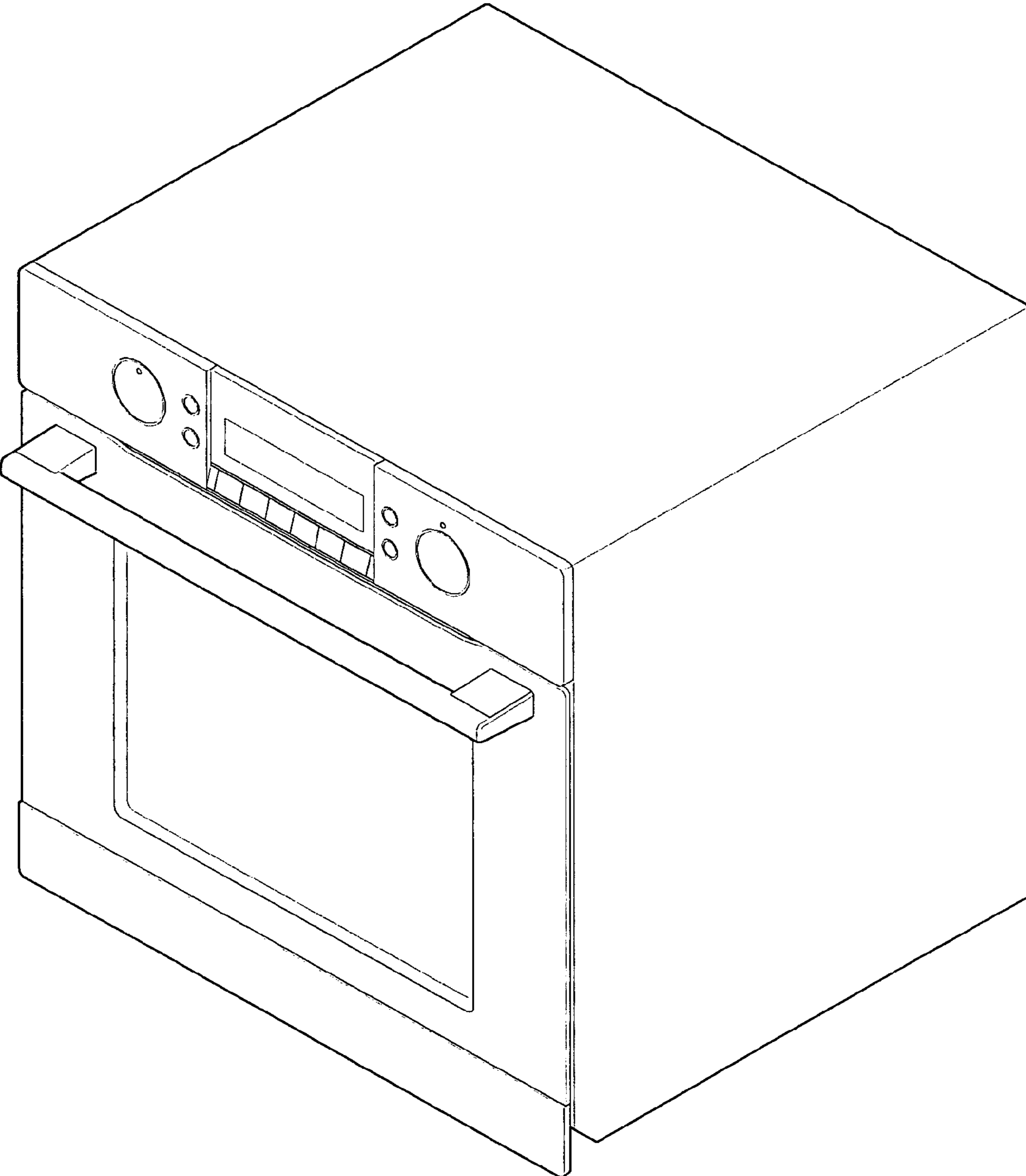


FIG. 2

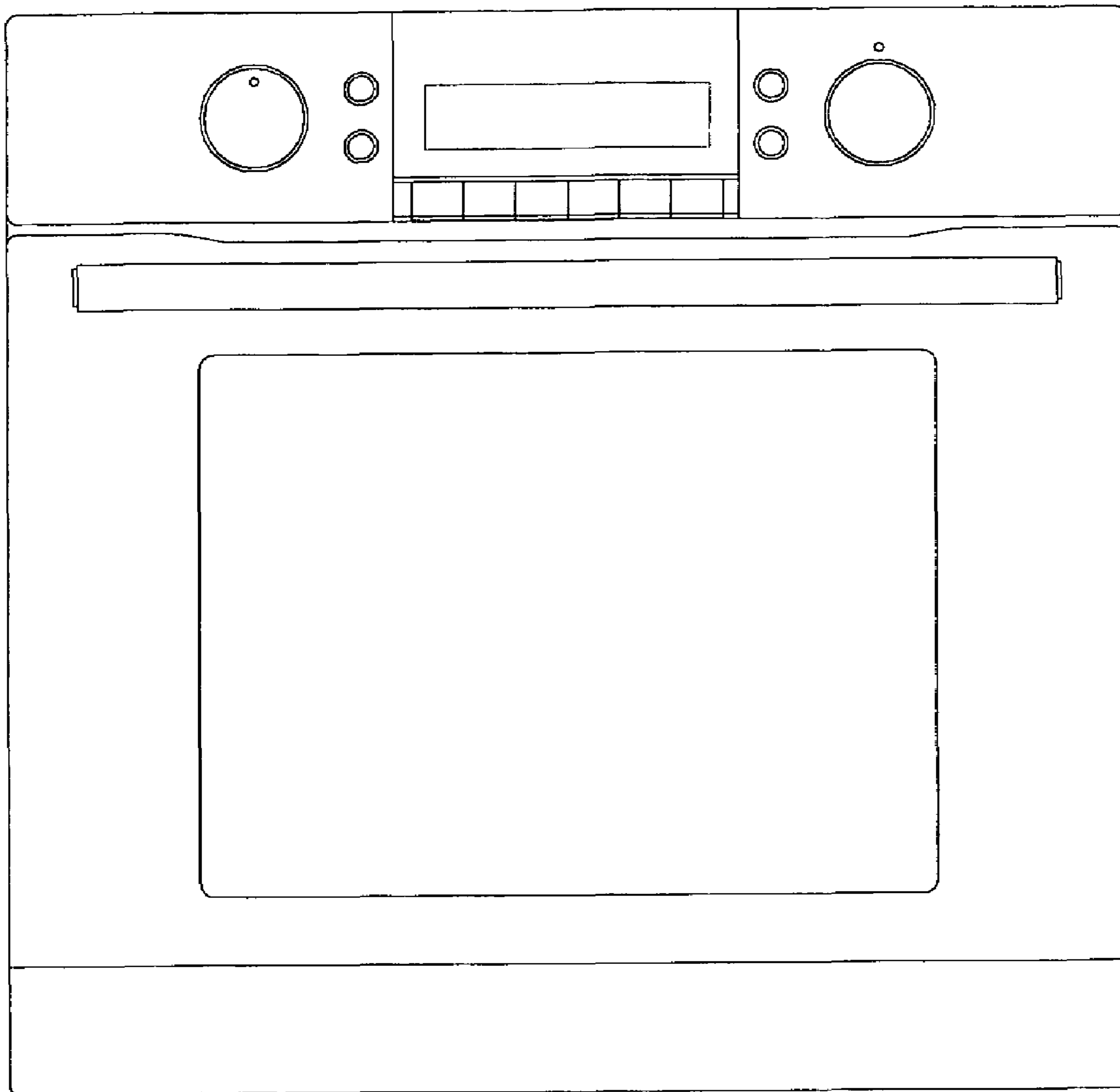


FIG. 3

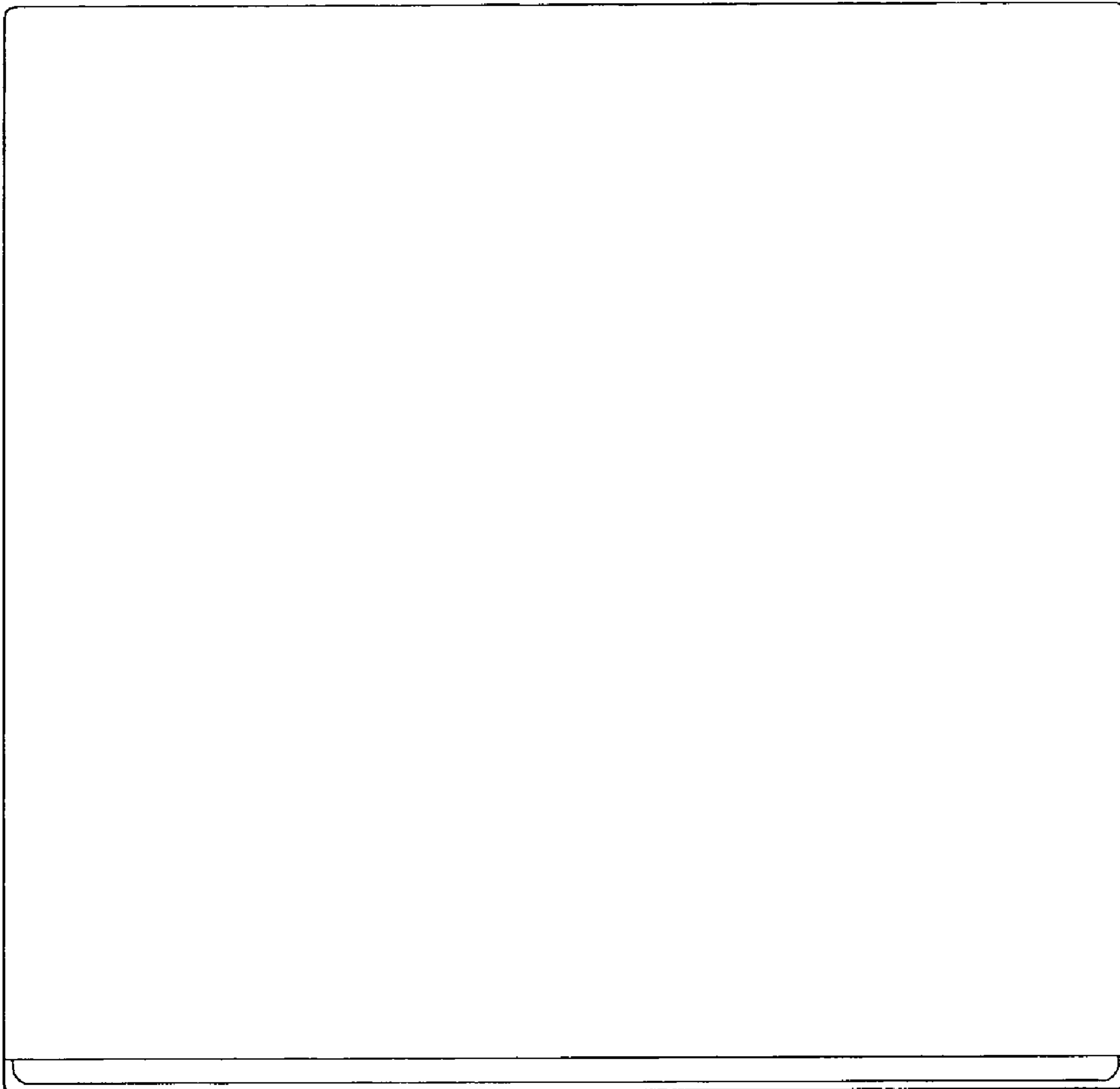


FIG. 4

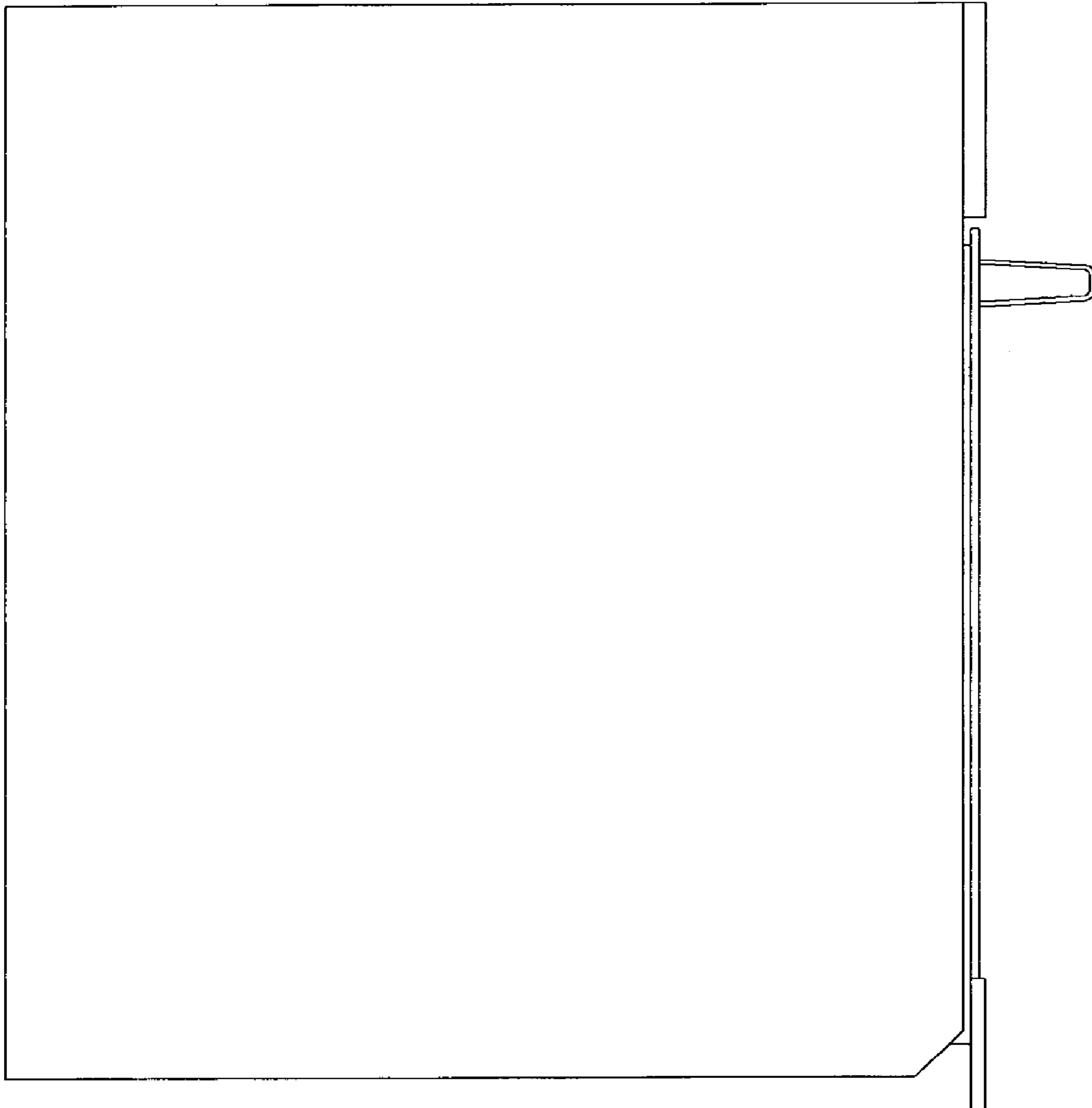


FIG. 5

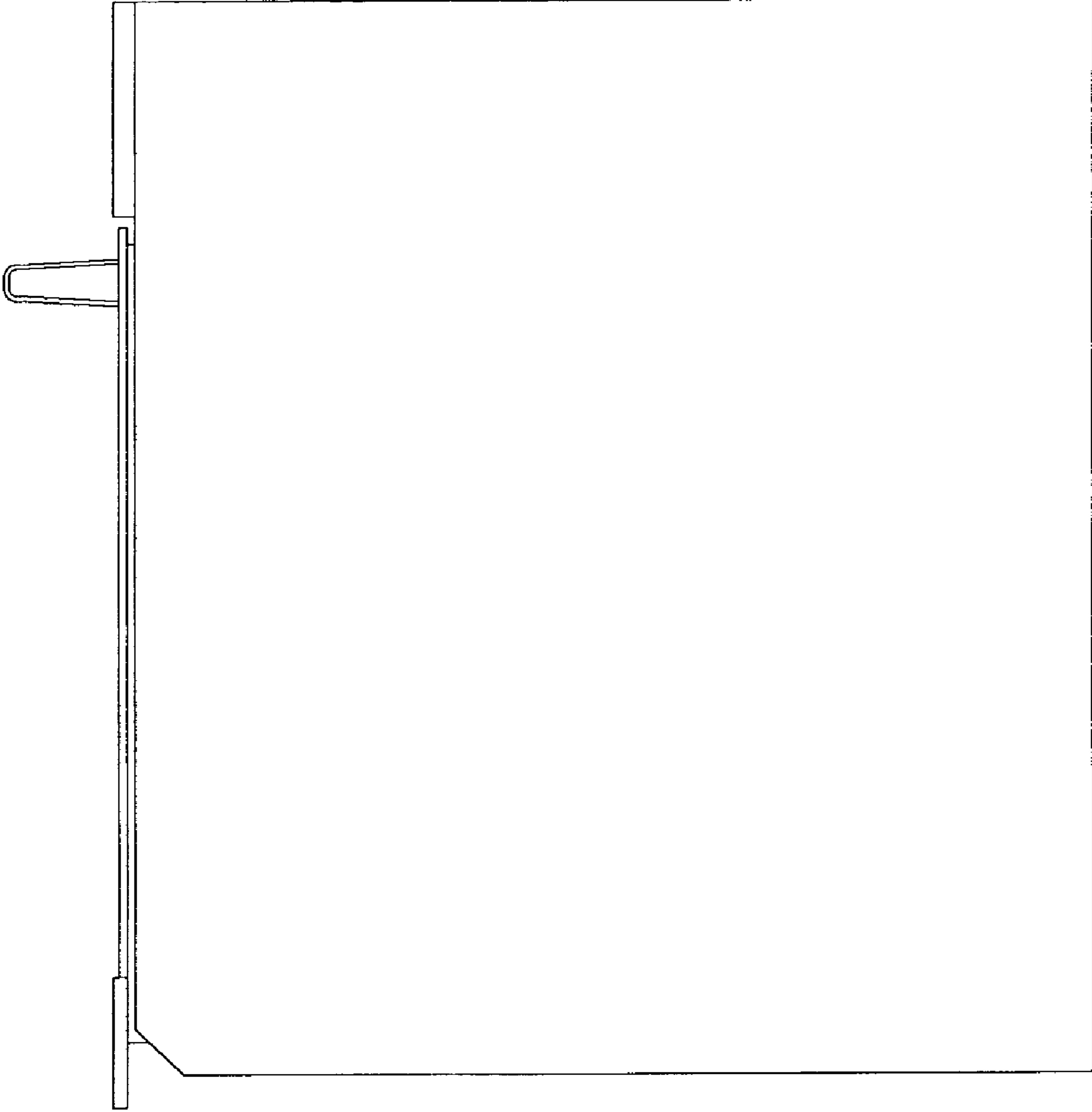


FIG. 6

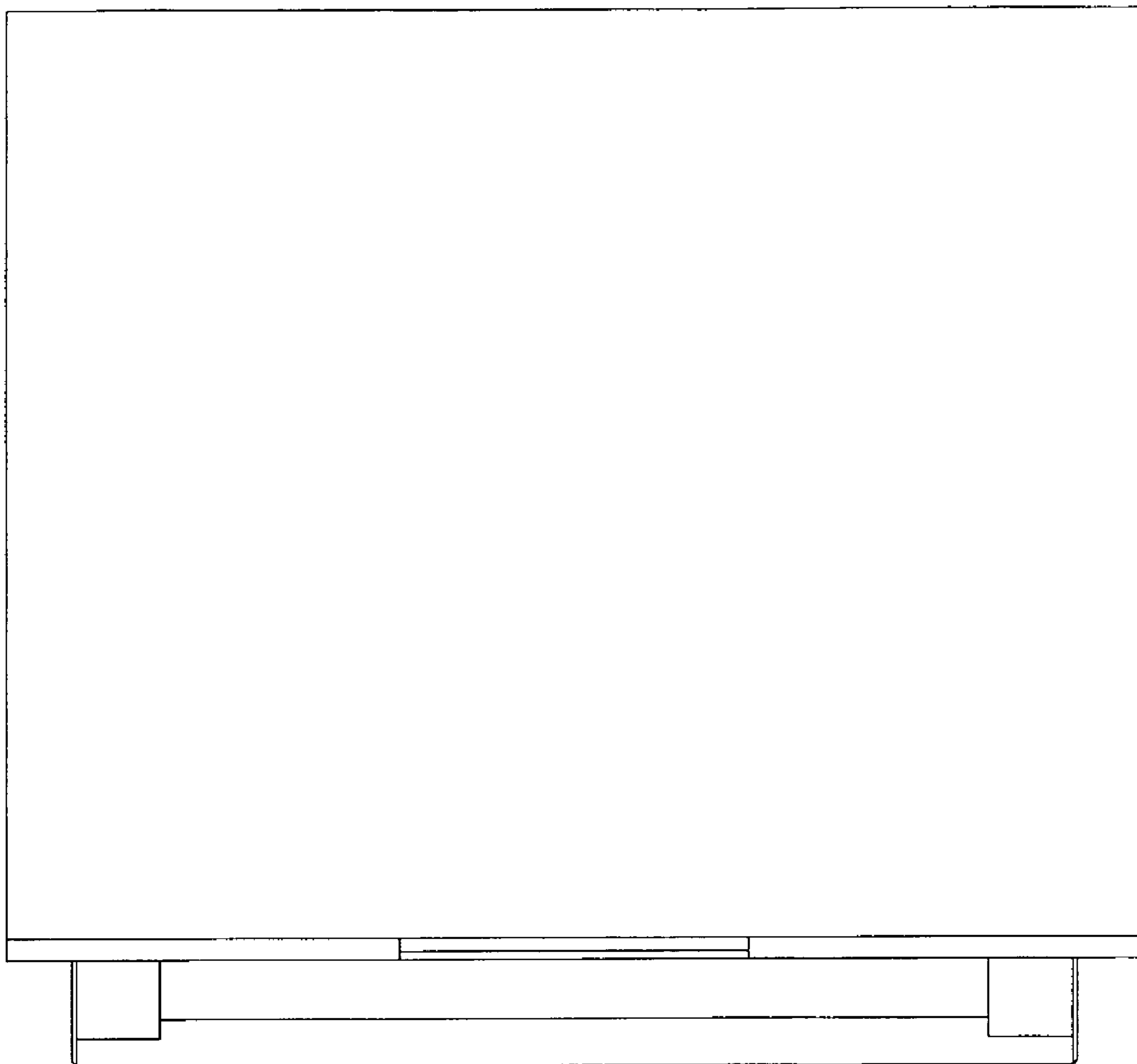


FIG. 7

