



US00D580697S

(12) **United States Design Patent**
Bodum

(10) **Patent No.:** **US D580,697 S**
(45) **Date of Patent:** **** Nov. 18, 2008**

(54) **JUG, INCLUDING COFFEE JUG**
(75) Inventor: **Jørgen Bodum**, St. Niklausen (CH)
(73) Assignee: **Pi-Design AG**, Triengen (CH)
(**) Term: **14 Years**
(21) Appl. No.: **29/250,289**
(22) Filed: **Nov. 9, 2006**

D308,926 S * 7/1990 Zivin D7/319
D359,688 S * 6/1995 Rosen D9/504
D403,552 S * 1/1999 Moran, Jr. D7/319
D472,147 S * 3/2003 Herrmann D9/504
D530,968 S * 10/2006 Bodum D7/300.1
D555,416 S * 11/2007 Bodum D7/317

* cited by examiner

Primary Examiner—Marianne Pandozzi
(74) *Attorney, Agent, or Firm*—Cowan, Liebowitz & Latman, PC

(30) **Foreign Application Priority Data**
May 9, 2006 (DK) DA 2006 00134

(57) **CLAIM**

The ornamental design for a jug, including coffee jug, as shown and described.

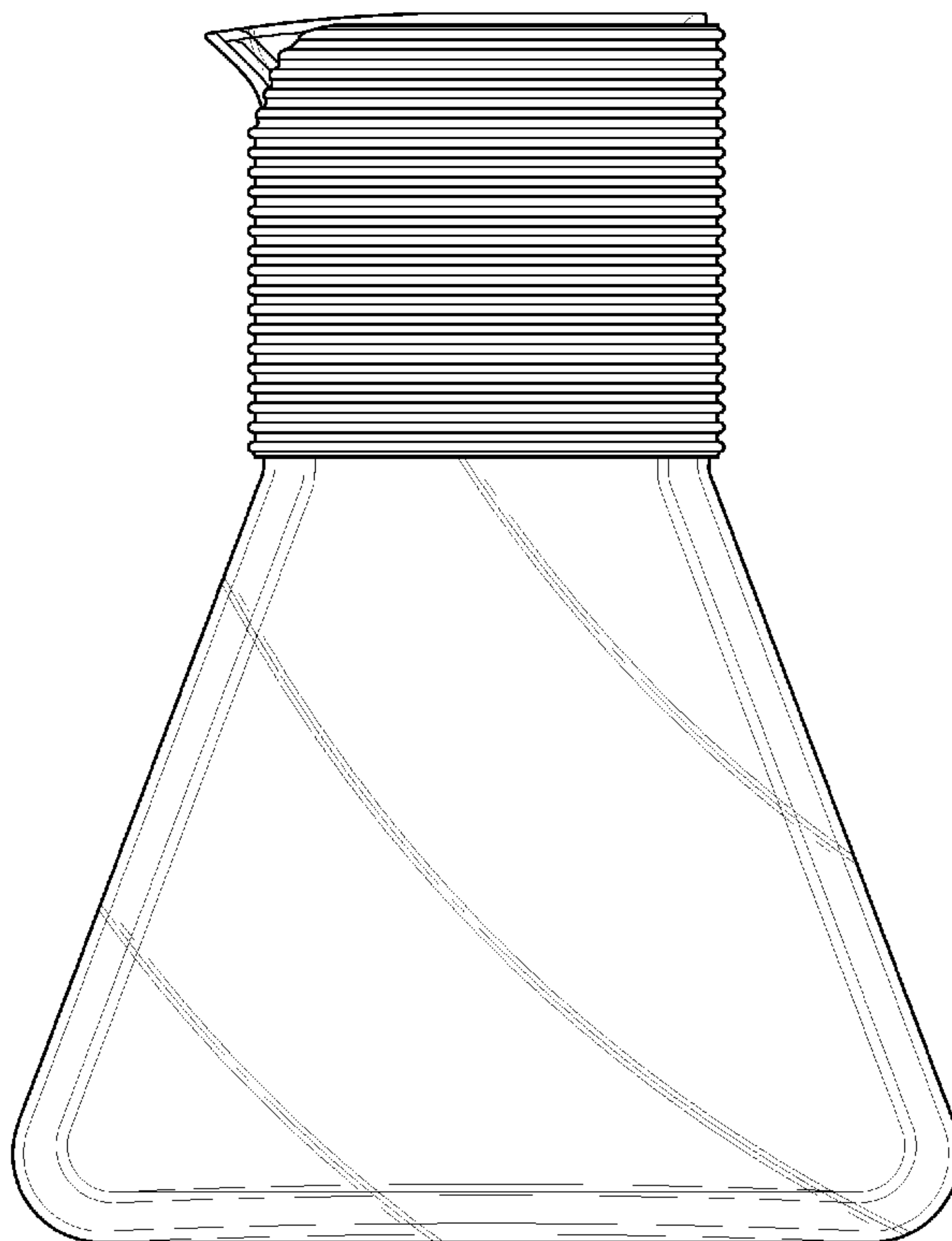
(51) **LOC (8) Cl.** **07-01**
(52) **U.S. Cl.** **D7/316**
(58) **Field of Classification Search** D7/316,
D7/317, 300.1, 300, 598; D9/502–505; 215/12.1,
215/400, 384, 6; 206/217; 222/143, 131
See application file for complete search history.

DESCRIPTION

FIG. 1 is a perspective view of the jug, including coffee jug, showing my design thereof;
FIG. 2 is a front view thereof;
FIG. 3 is a back view thereof;
FIG. 4 is a right side view thereof;
FIG. 5 is a left side view thereof;
FIG. 6 is a top view thereof;
FIG. 7 is a bottom view thereof; and,
FIG. 8 is a cross-sectional view thereof taken along line 8—8 of FIG. 6.

(56) **References Cited**
U.S. PATENT DOCUMENTS
D118,727 S * 1/1940 Spence D7/316
D124,880 S * 1/1941 Teunisz D9/500
D173,143 S * 10/1954 Budlong D7/317
D194,632 S * 2/1963 Eicholz D9/536
D196,866 S * 11/1963 Lewis D7/317
D231,684 S * 5/1974 Rayda D7/597
D231,685 S * 5/1974 Beckman D7/317
D232,687 S * 9/1974 Rayda D7/317

1 Claim, 8 Drawing Sheets



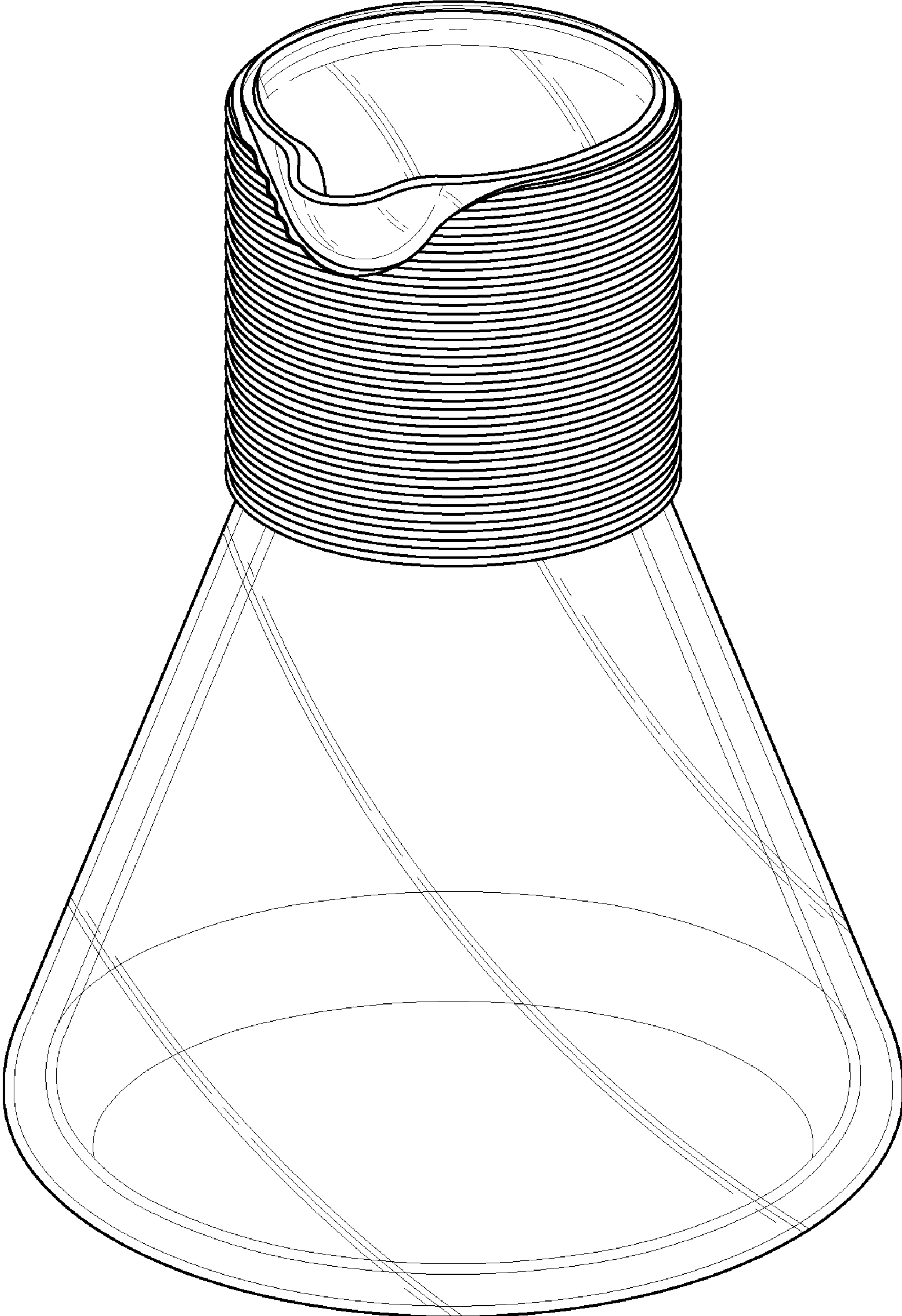


FIG. 1

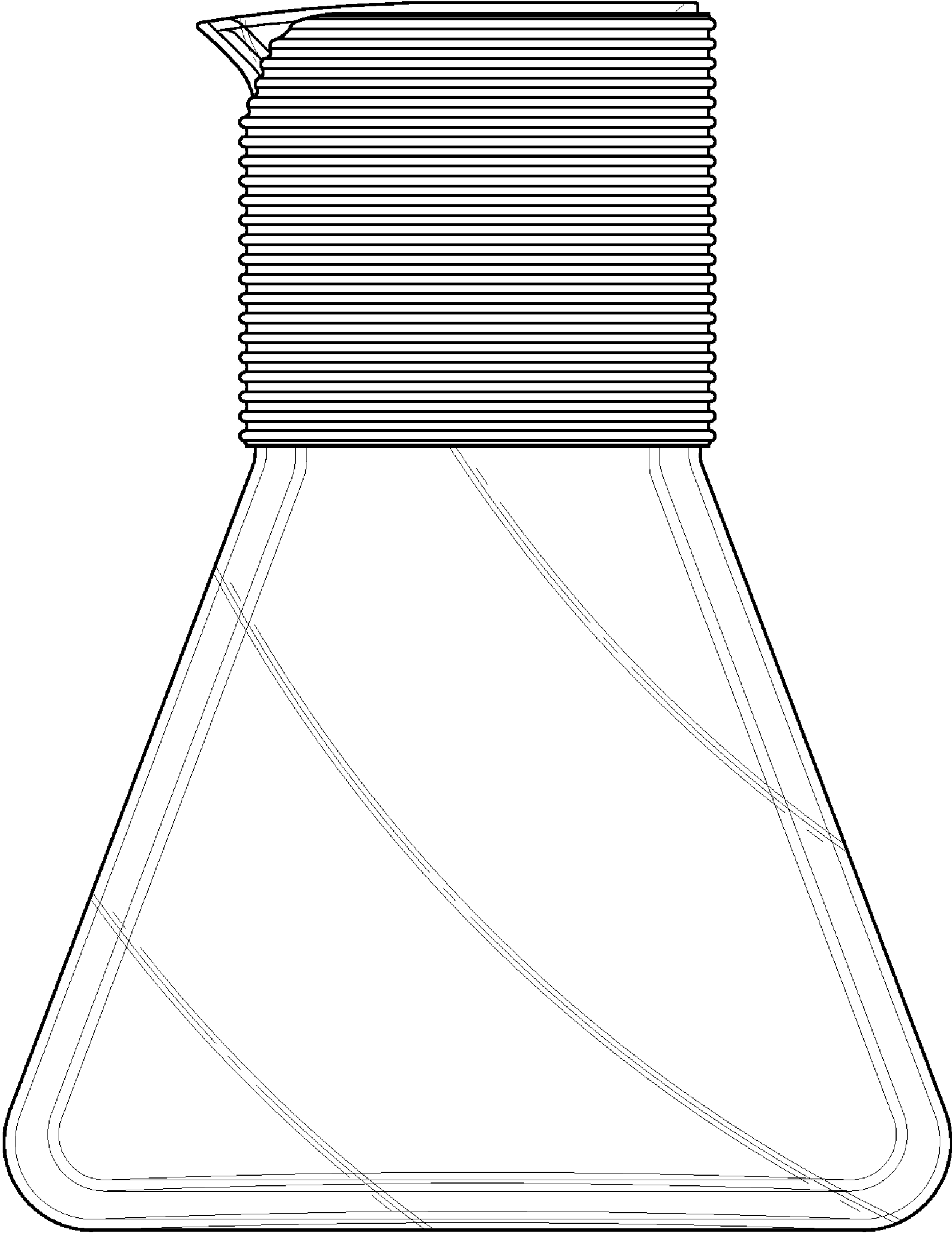


FIG. 2

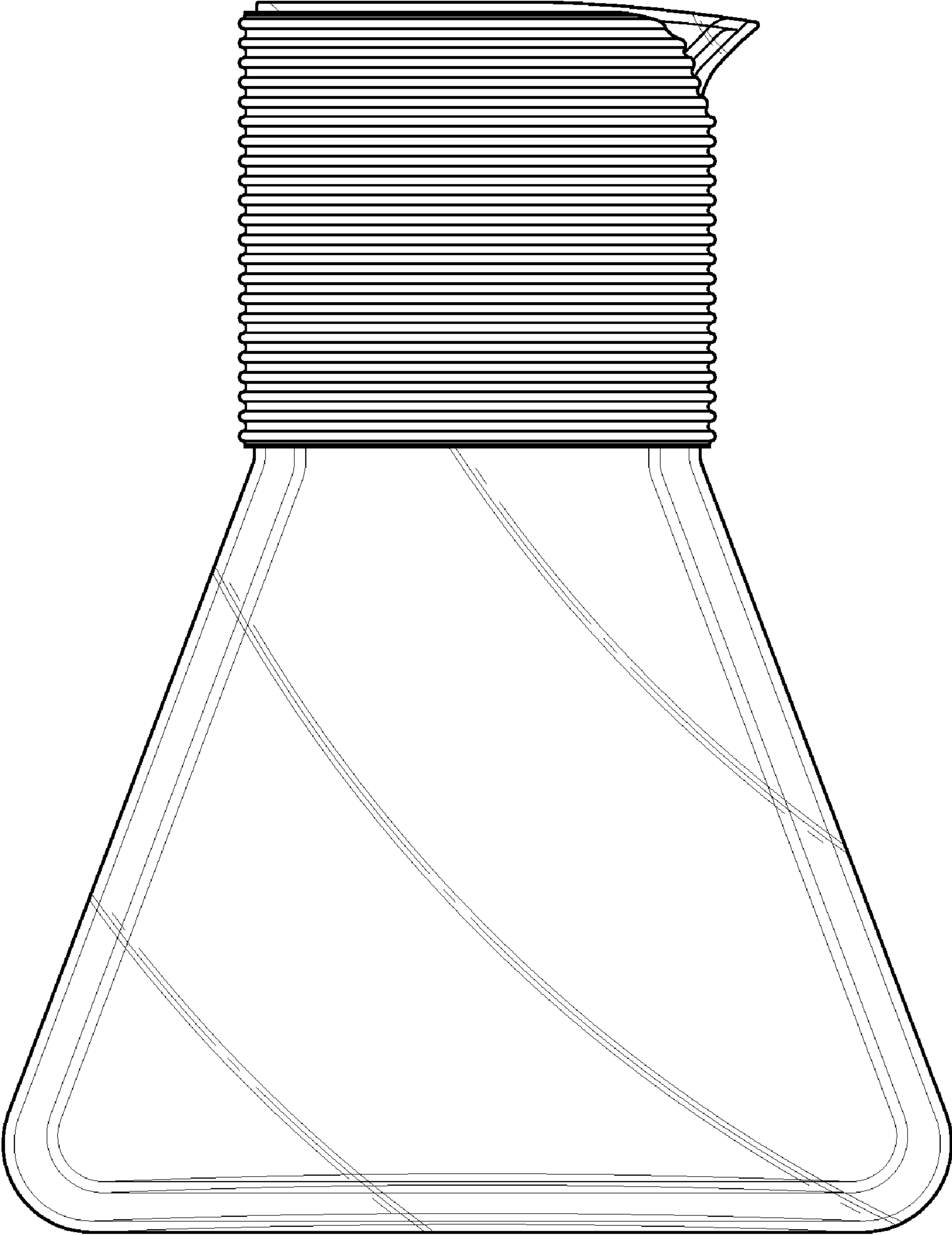


FIG. 3

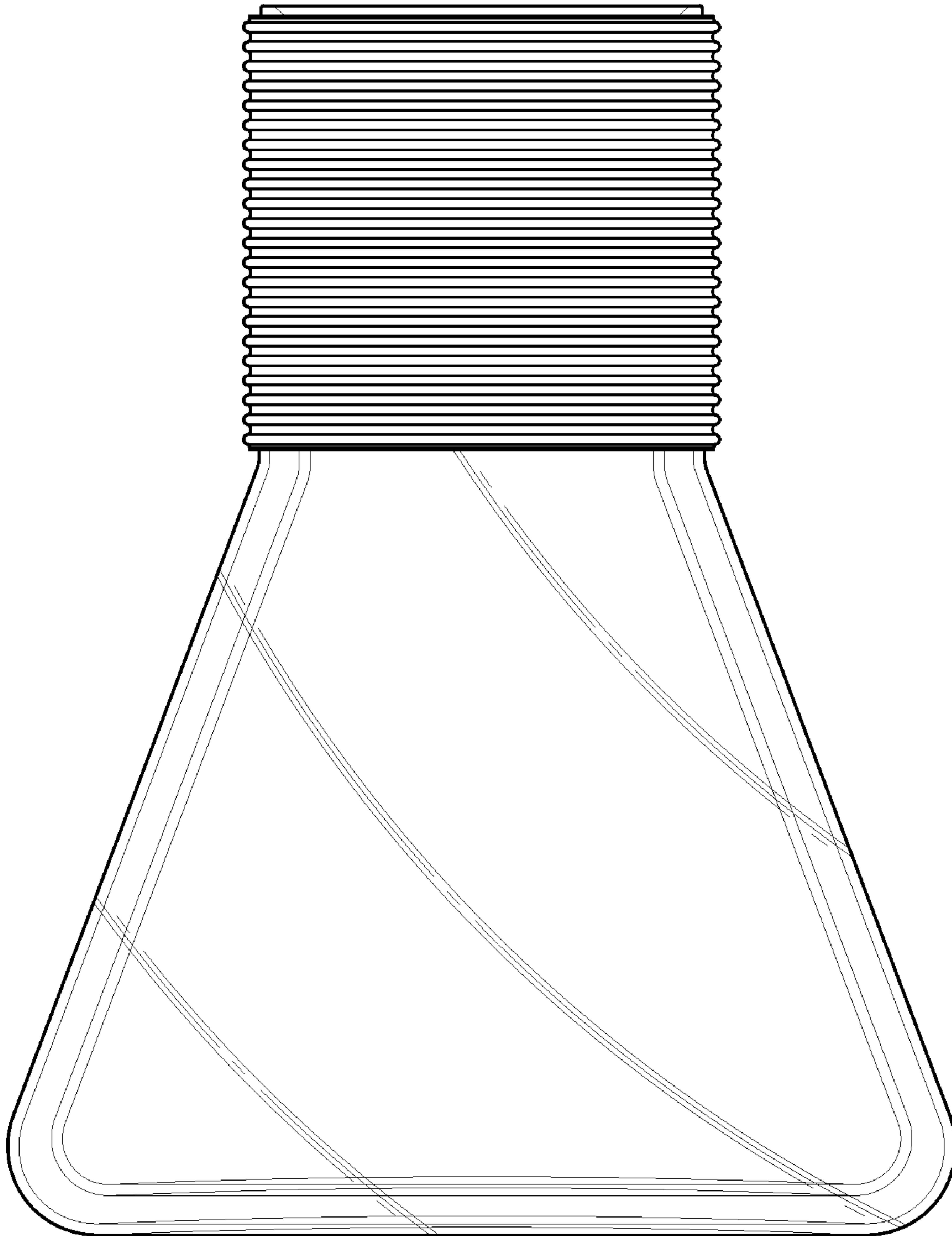


FIG. 4

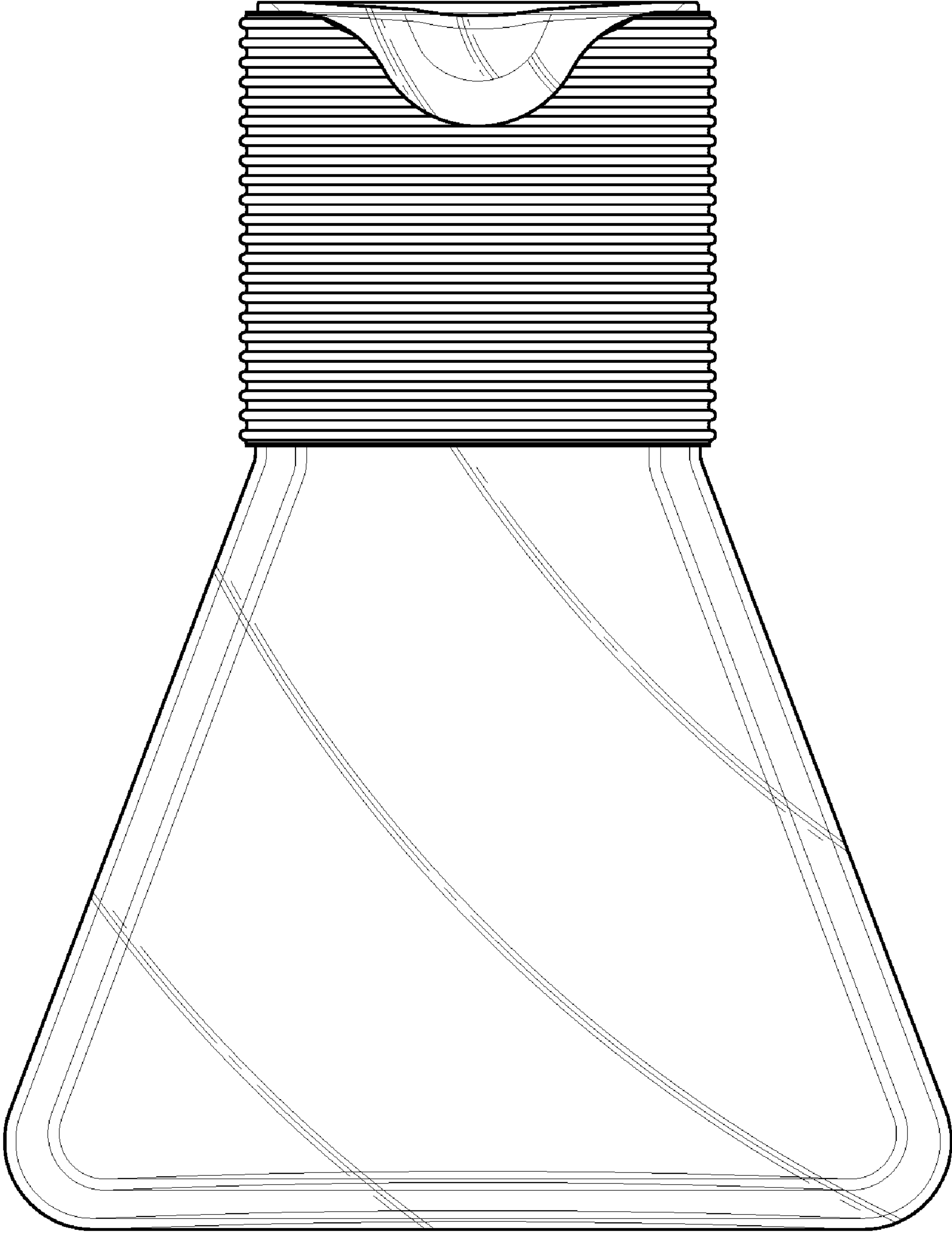


FIG. 5

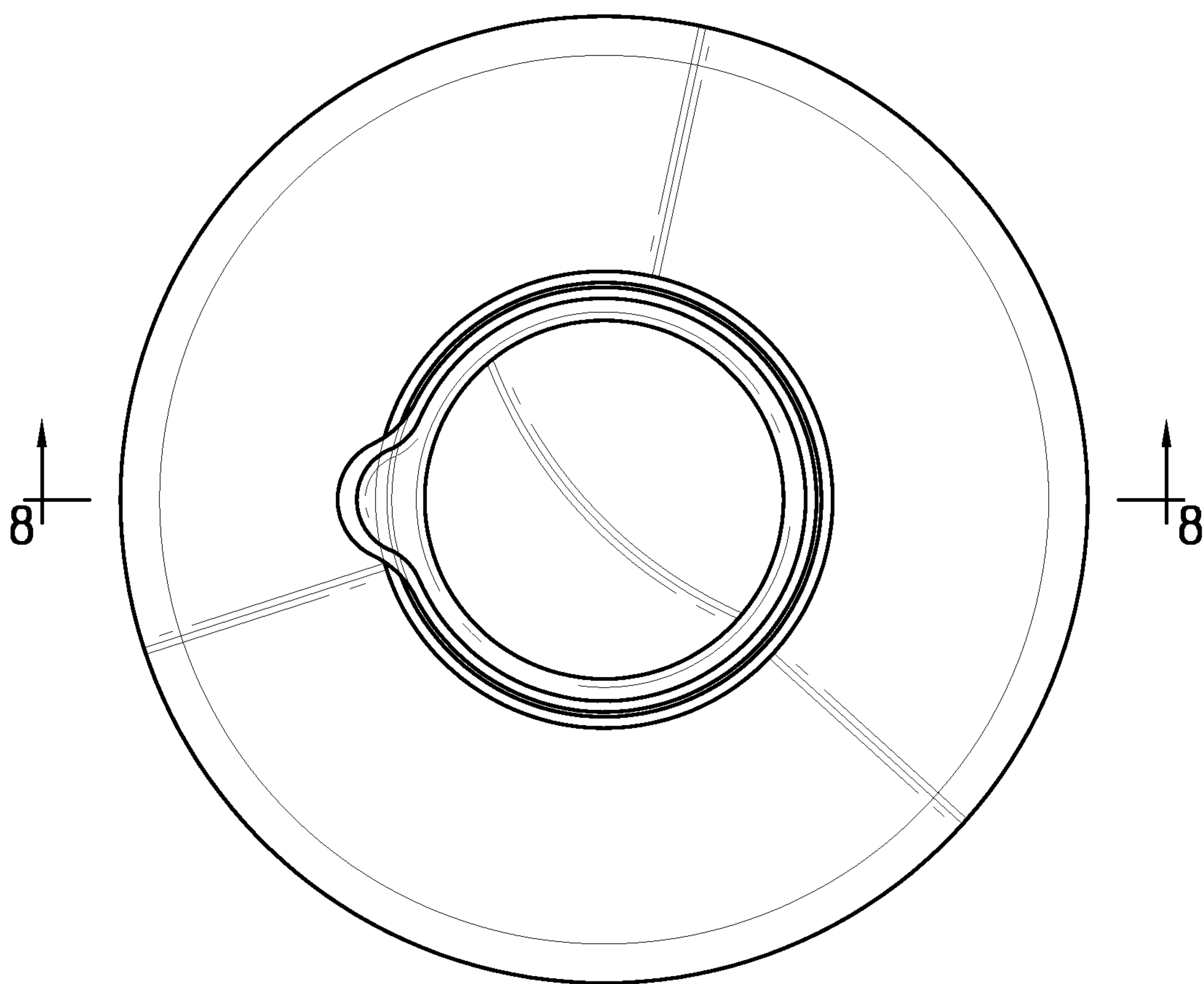


FIG. 6

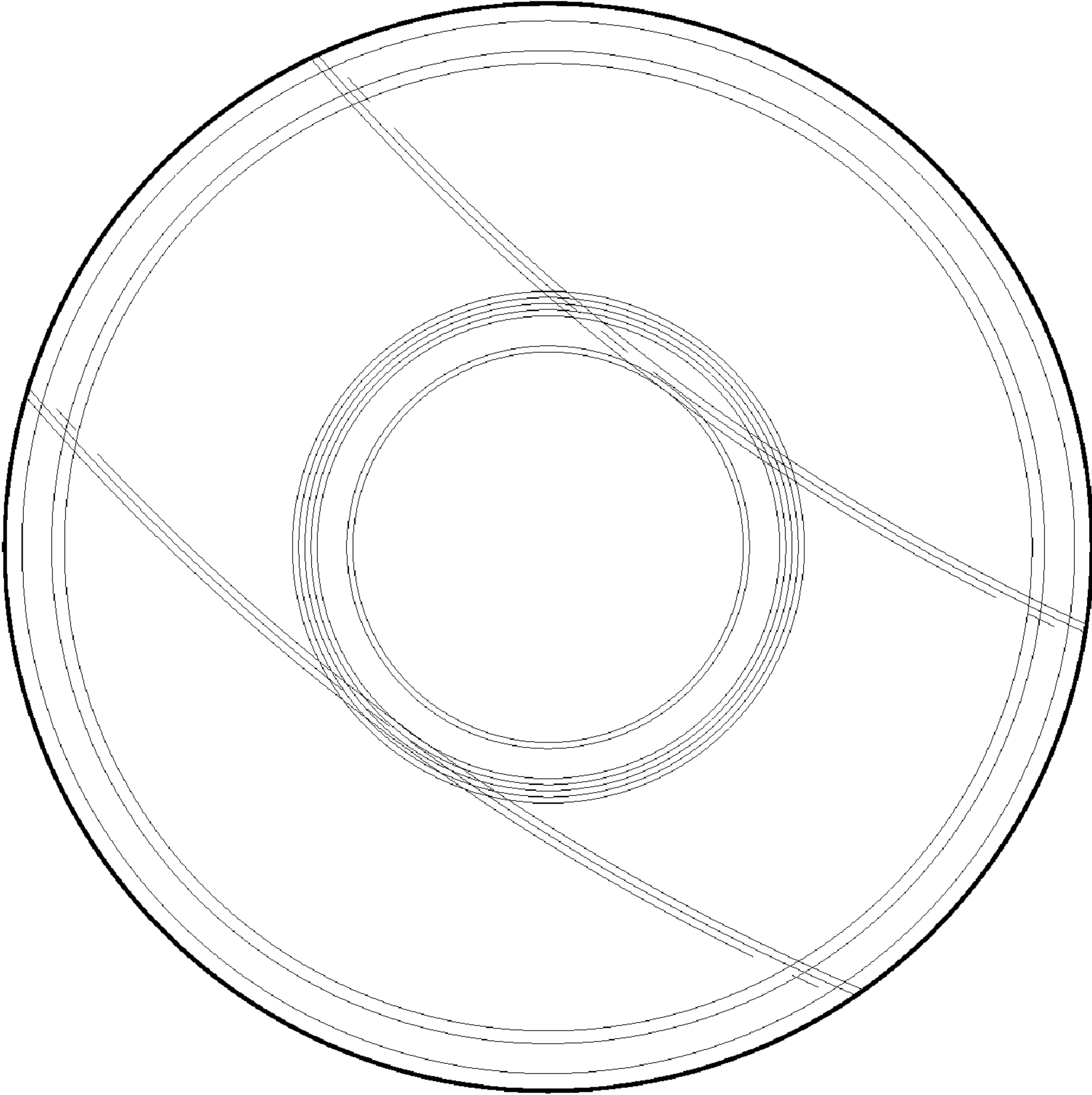


FIG. 7

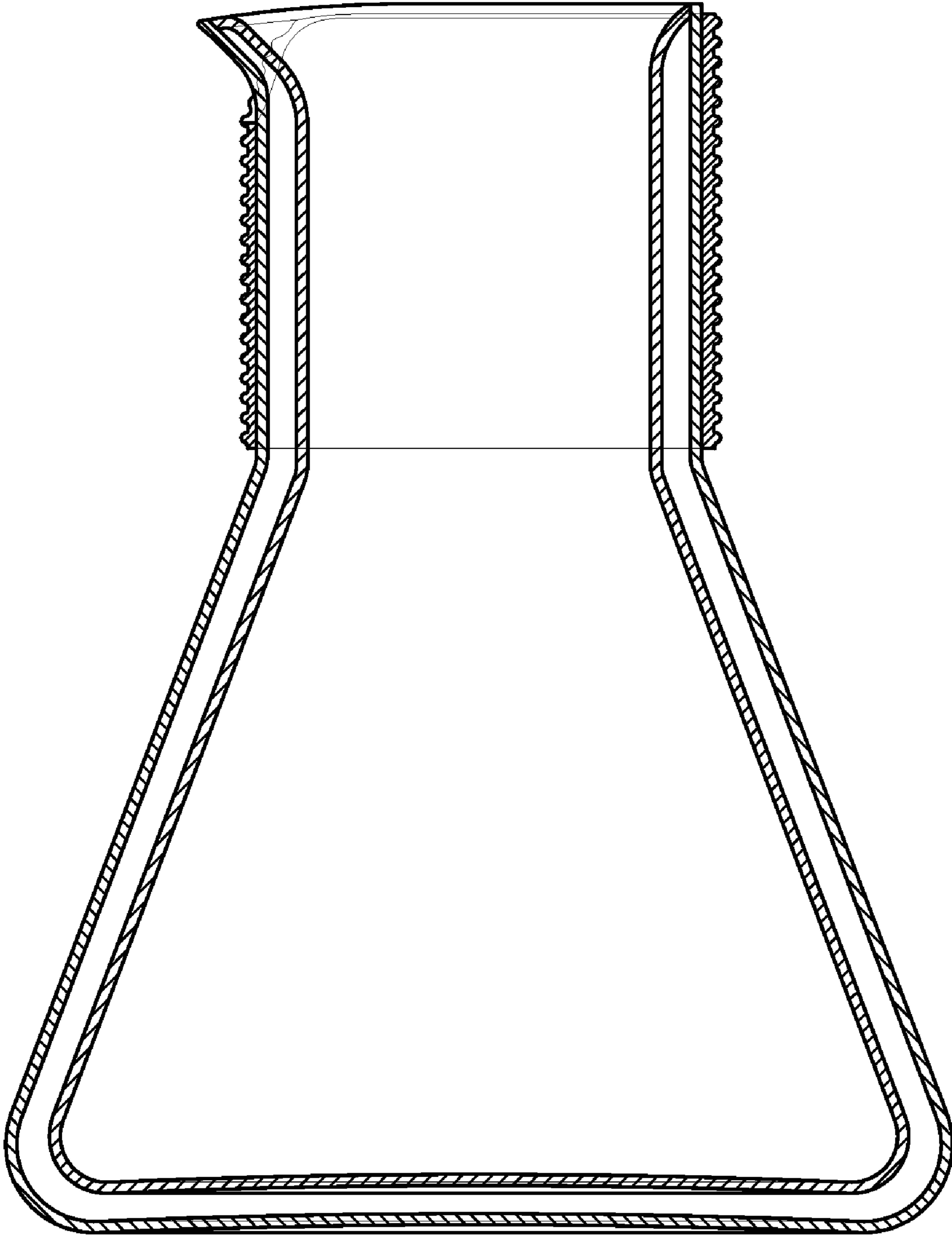


FIG. 8