



US00D580696S

(12) **United States Design Patent**
Bodum

(10) **Patent No.:** **US D580,696 S**

(45) **Date of Patent:** **** Nov. 18, 2008**

(54) **DOUBLE WALL DRIP COFFEE MAKER**

(75) Inventor: **Jørgen Bodum**, St. Niklausen (CH)

(73) Assignee: **Pi-Design AG**, Triengen (CH)

(**) Term: **14 Years**

(21) Appl. No.: **29/250,287**

(22) Filed: **Nov. 9, 2006**

(30) **Foreign Application Priority Data**

May 9, 2006 (DK) DA 2006 00134

(51) **LOC (8) Cl.** **07-01**

(52) **U.S. Cl.** **D7/316**

(58) **Field of Classification Search** D7/316,
D7/317, 300.1, 300, 598, 309; D9/502-505;
215/12.1, 400, 384, 6, 396; 206/217; 222/143,
222/131; 99/286, 290, 281, 307, 306
See application file for complete search history.

(56) **References Cited**

U.S. PATENT DOCUMENTS

D118,727	S	*	1/1940	Spence	D7/316
D124,880	S	*	1/1941	Teunisz	D9/500
2,414,901	A	*	1/1947	Schlumbohm	215/396
D173,143	S	*	10/1954	Budlong	D7/317
2,705,086	A	*	3/1955	Schlumbohm	215/396
D194,632	S	*	2/1963	Eicholz	D9/536
D196,866	S	*	11/1963	Lewis	D7/317
3,695,168	A	*	10/1972	Van Brunt	99/306
3,739,932	A	*	6/1973	Westover	215/396
D231,684	S	*	5/1974	Rayda	D7/597
D231,685	S	*	5/1974	Beckman	D7/317
D232,687	S	*	9/1974	Rayda	D7/317
3,985,069	A	*	10/1976	Cavalluzzi	99/295

D250,804	S	*	1/1979	Nilsson	D7/400
4,898,090	A	*	2/1990	Chan	99/306
D308,926	S	*	7/1990	Zivin	D7/319
5,064,980	A	*	11/1991	Grossman et al.	219/689
D359,688	S	*	6/1995	Rosen	D9/504
D403,552	S	*	1/1999	Moran, Jr.	D7/319
D472,147	S	*	3/2003	Herrmann	D9/504
6,732,635	B2	*	5/2004	Jensen et al.	99/322
D521,329	S	*	5/2006	Bodum	D7/700
D524,599	S	*	7/2006	Bodum	D7/400
D530,968	S	*	10/2006	Bodum	D7/300.1
D555,416	S	*	11/2007	Bodum	D7/317
D567,005	S	*	4/2008	Bodum	D7/316

* cited by examiner

Primary Examiner—Marianne Pandozzi

(74) *Attorney, Agent, or Firm*—Cowan, Liebowitz & Latman, PC

(57) **CLAIM**

The ornamental design for a double wall drip coffee maker, as shown and described.

DESCRIPTION

FIG. 1 is a perspective view of the double wall drip coffee maker showing my design thereof;

FIG. 2 is a front view thereof;

FIG. 3 is a back view thereof;

FIG. 4 is a right side view thereof;

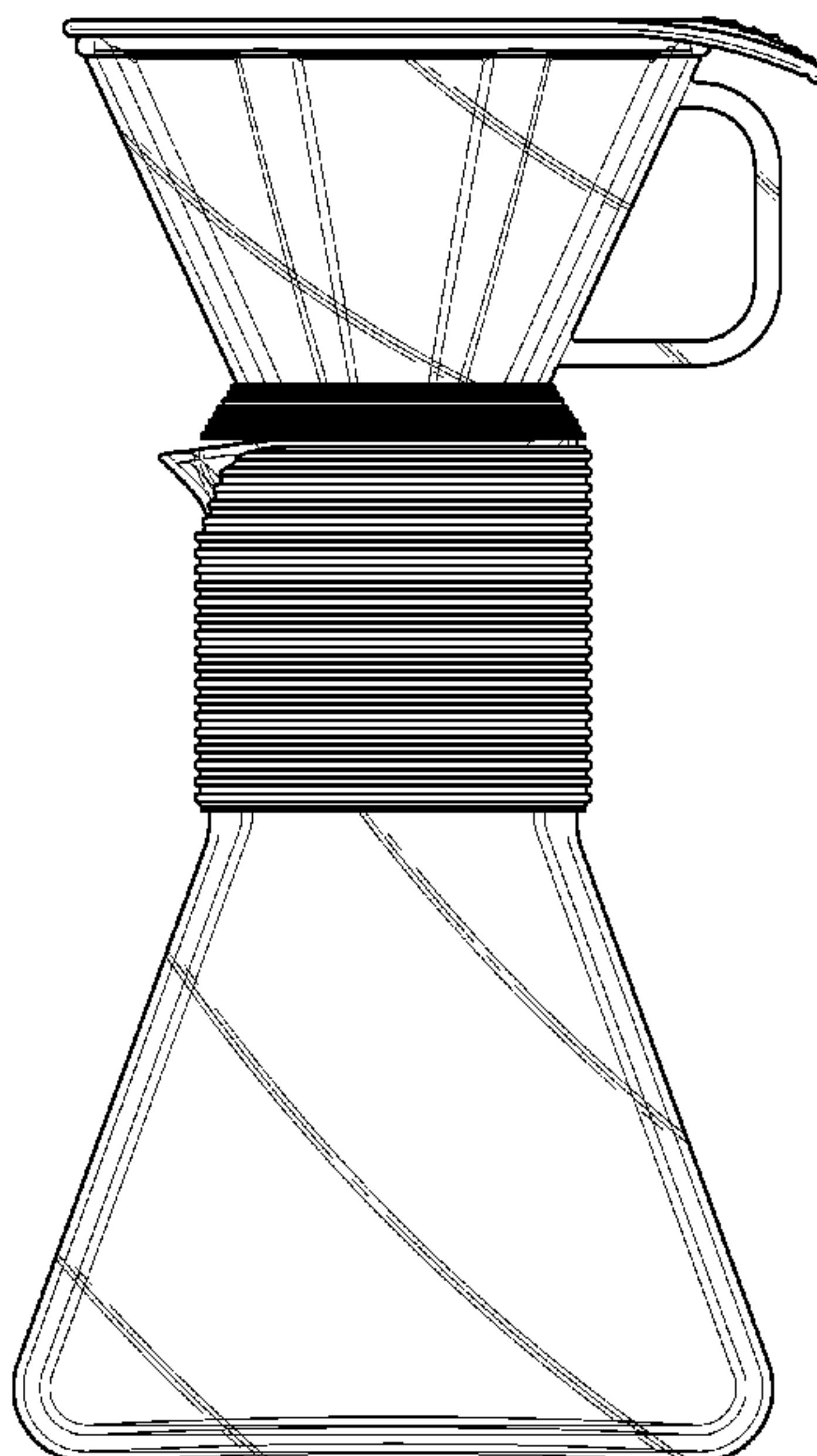
FIG. 5 is a left side view thereof;

FIG. 6 is a top view thereof;

FIG. 7 is a bottom view thereof; and,

FIG. 8 is a cross-sectional view thereof taken along line 8—8 of FIG. 6.

1 Claim, 8 Drawing Sheets



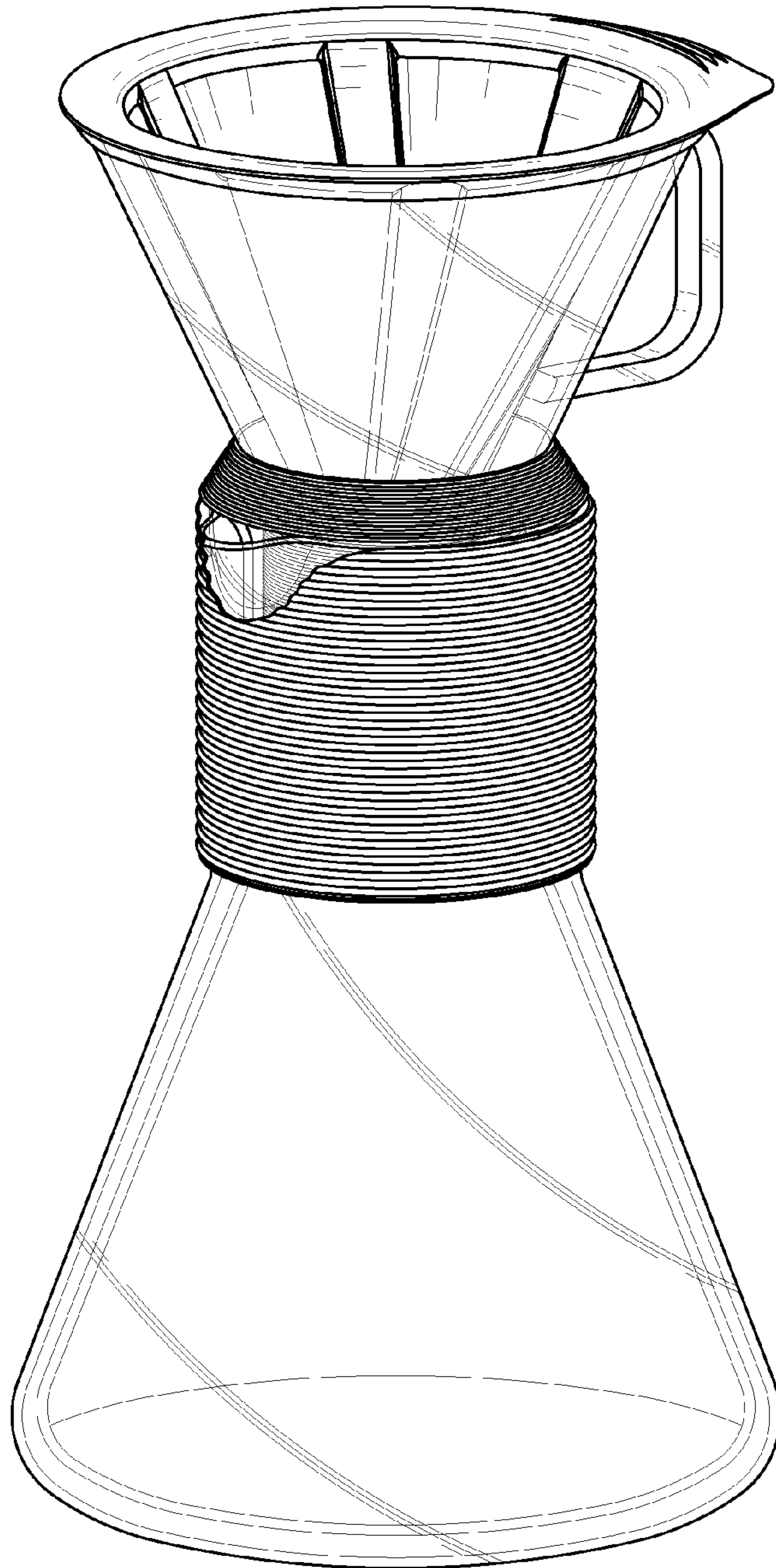


FIG. 1

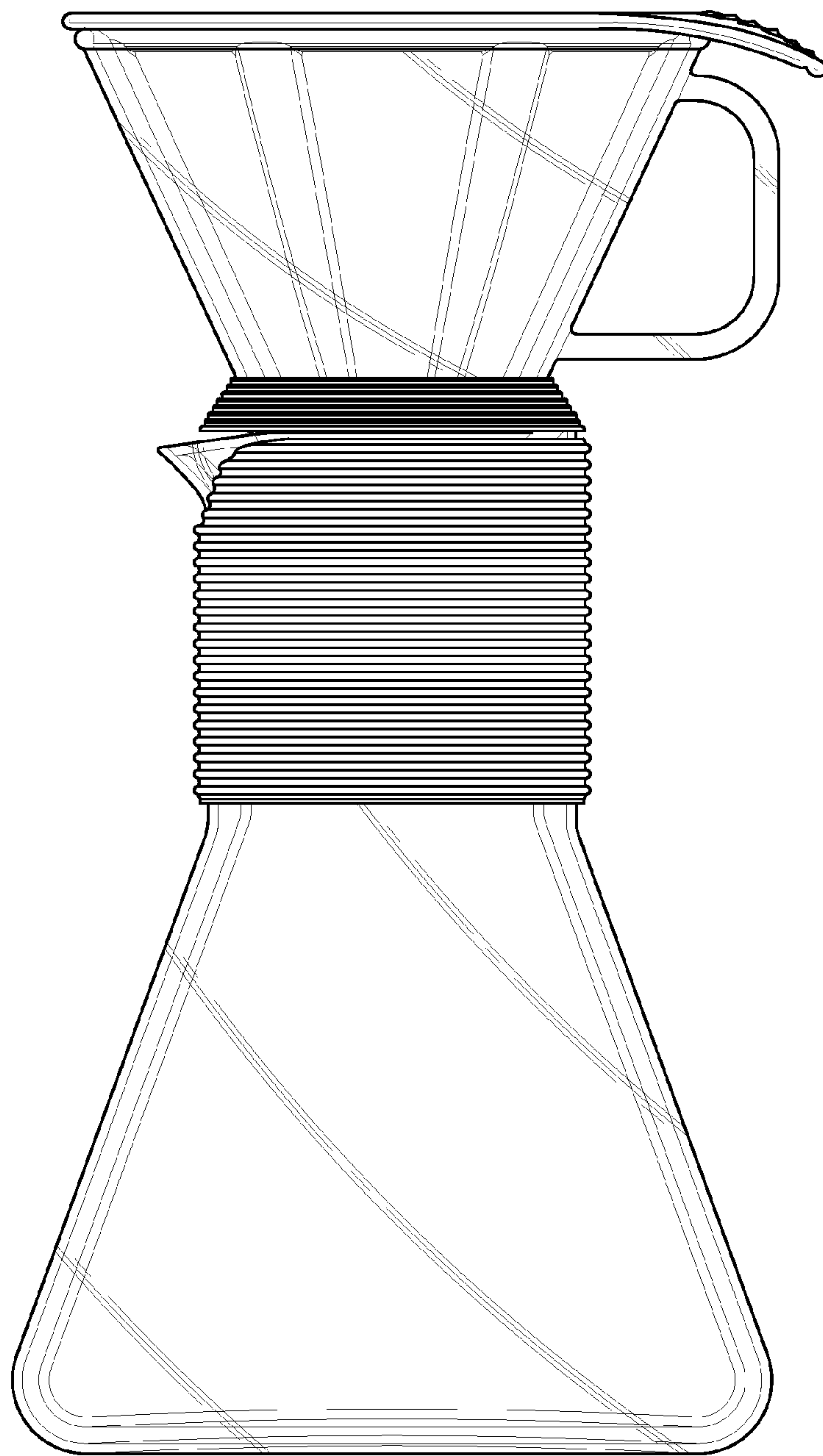


FIG. 2

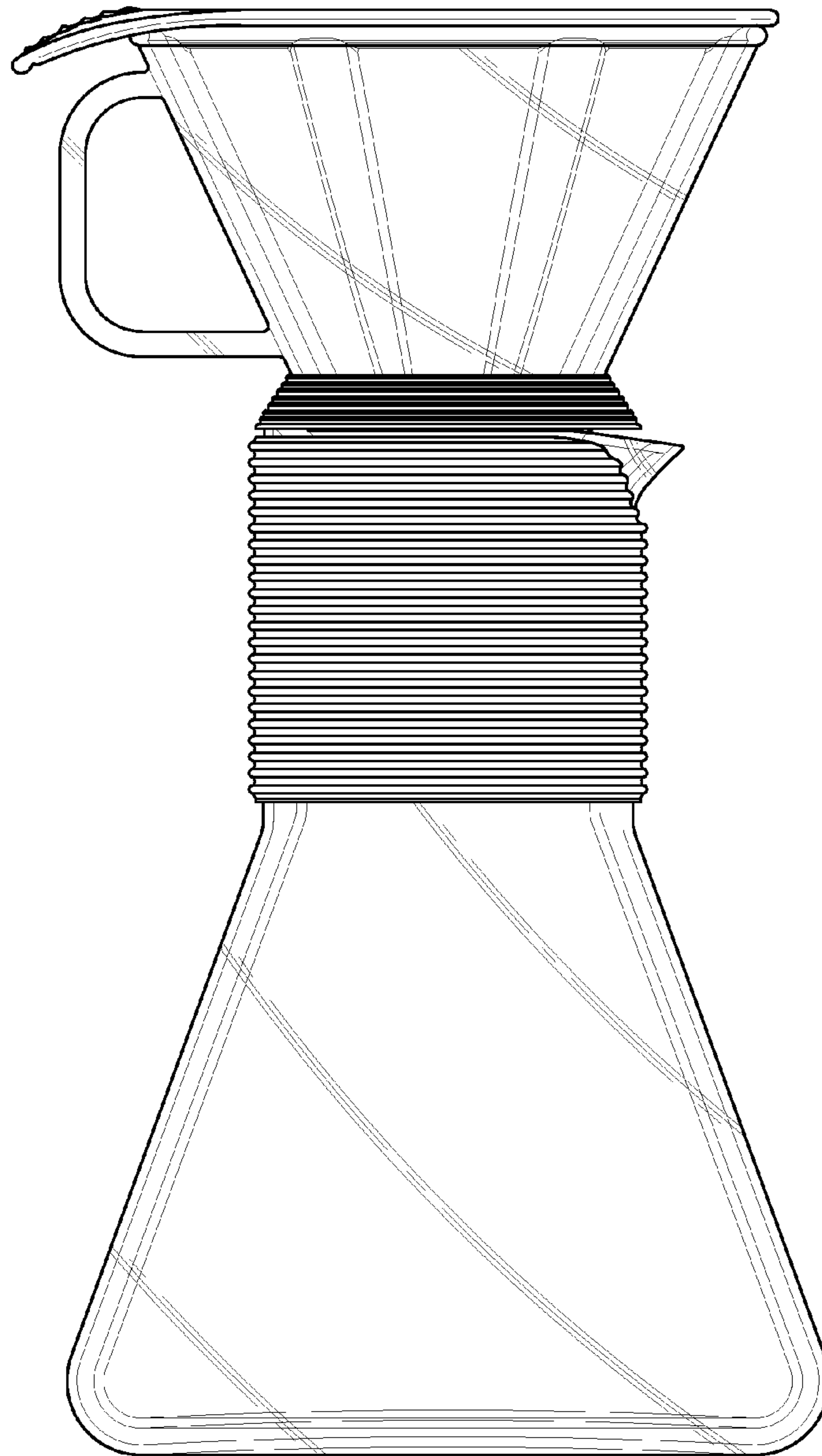


FIG. 3

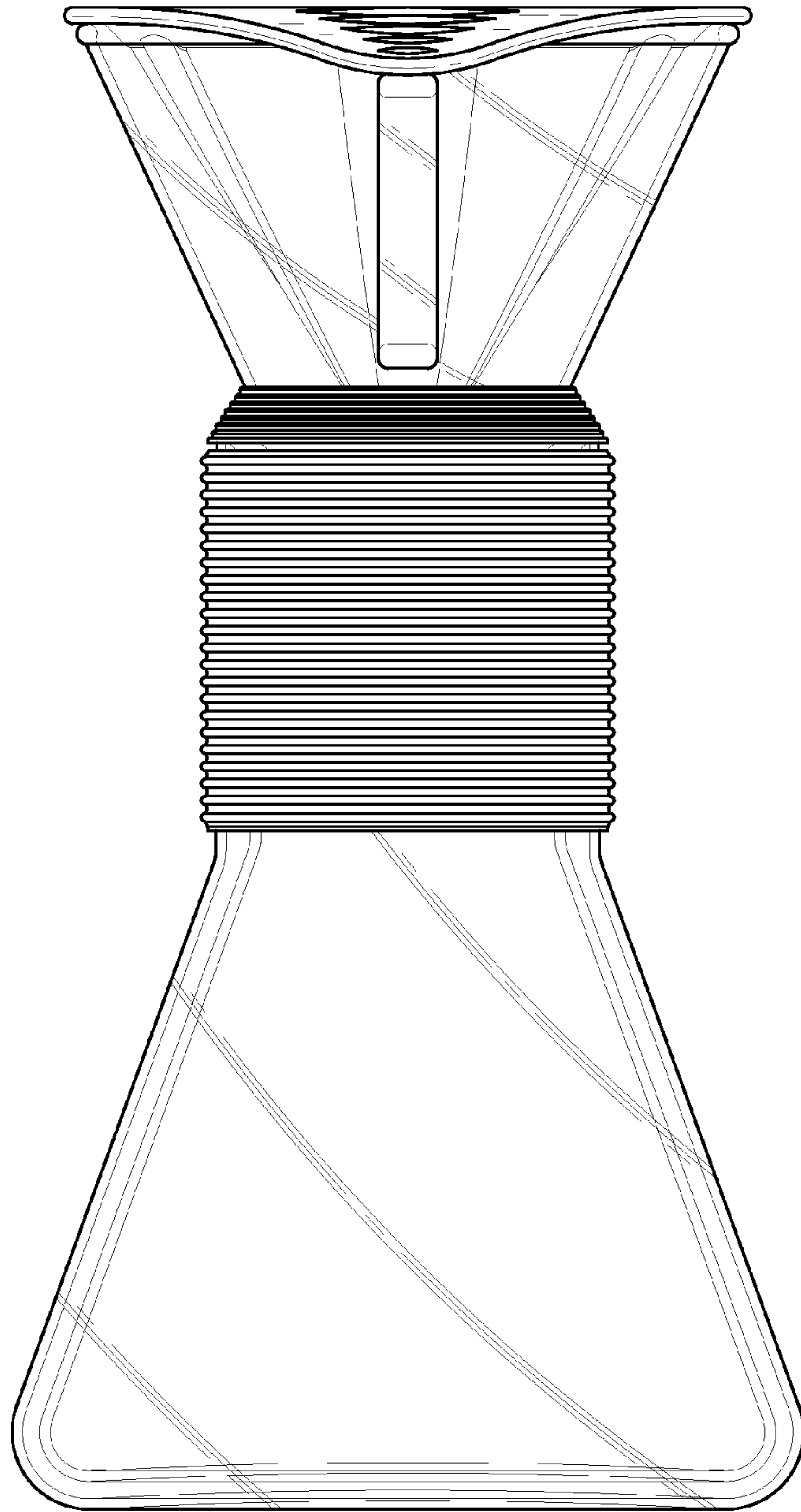


FIG. 4

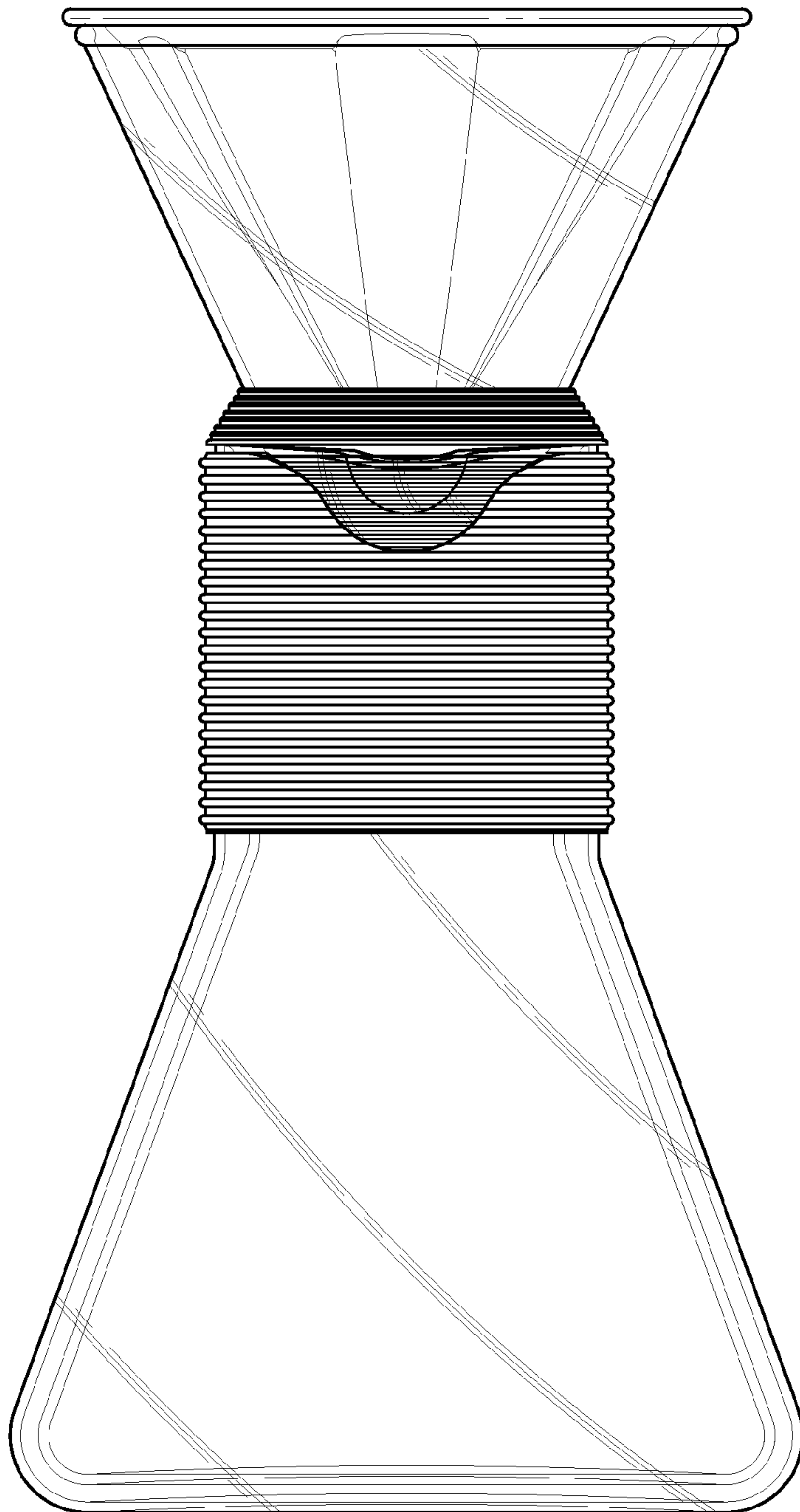


FIG. 5

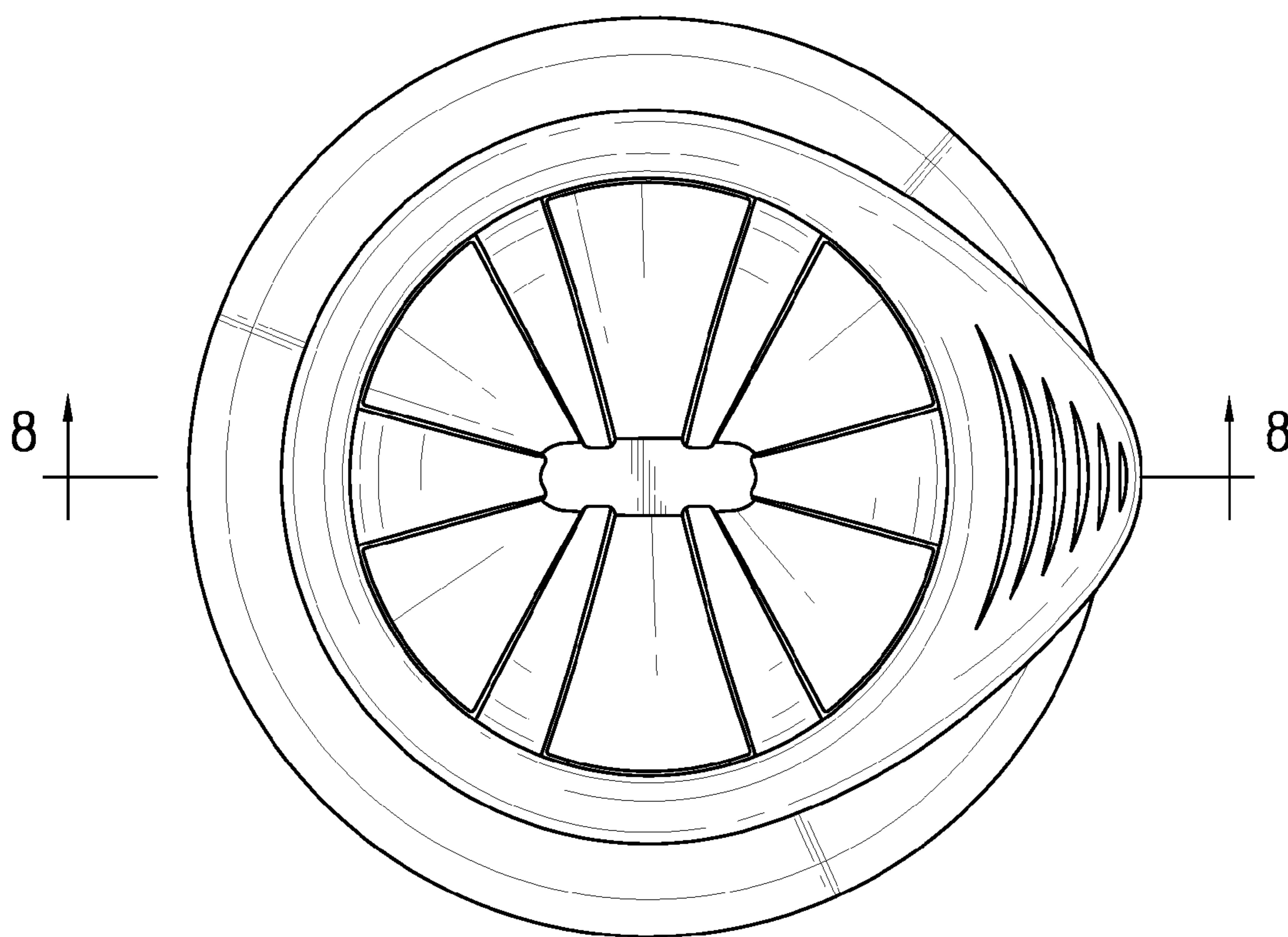


FIG. 6

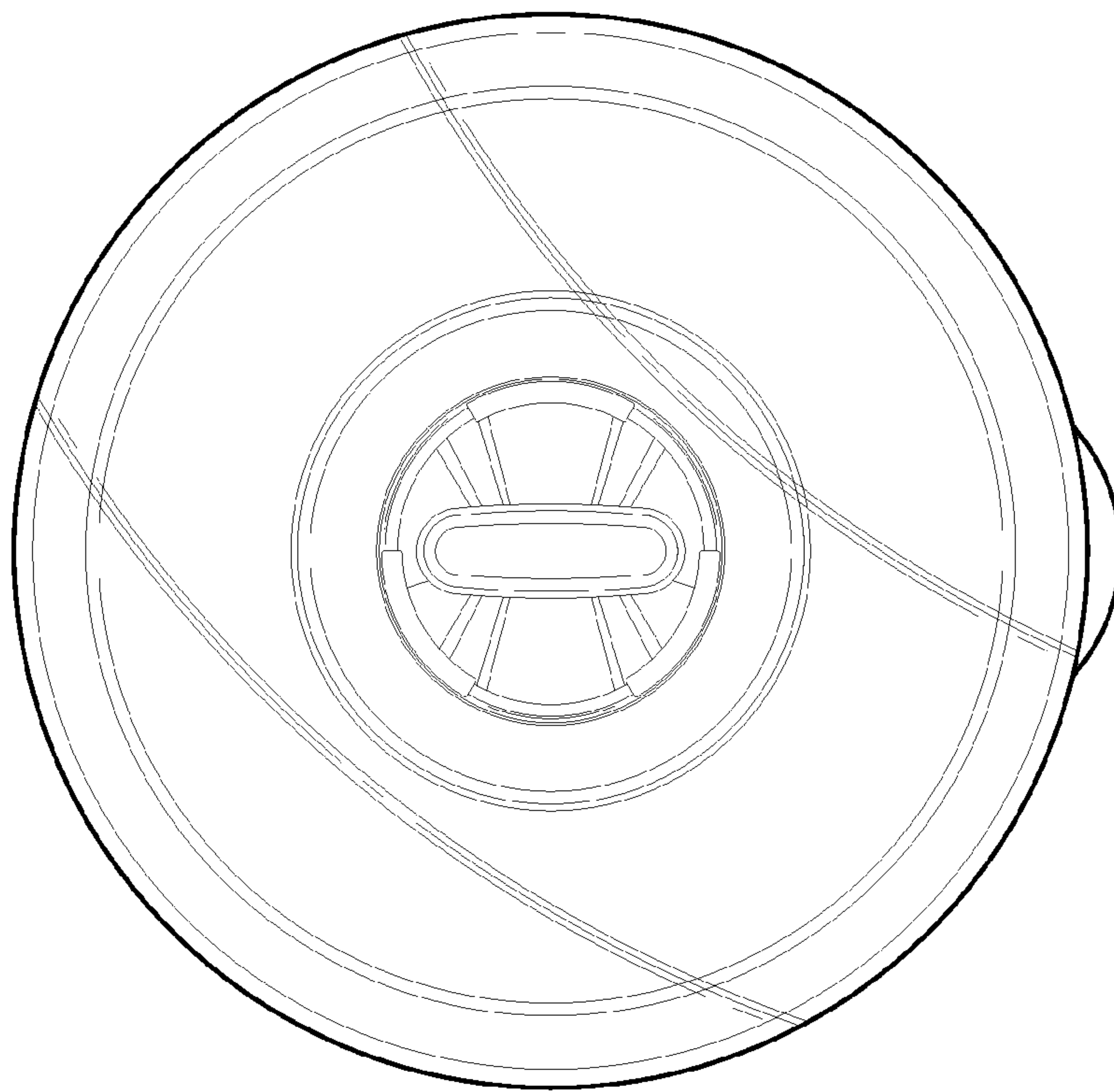


FIG. 7

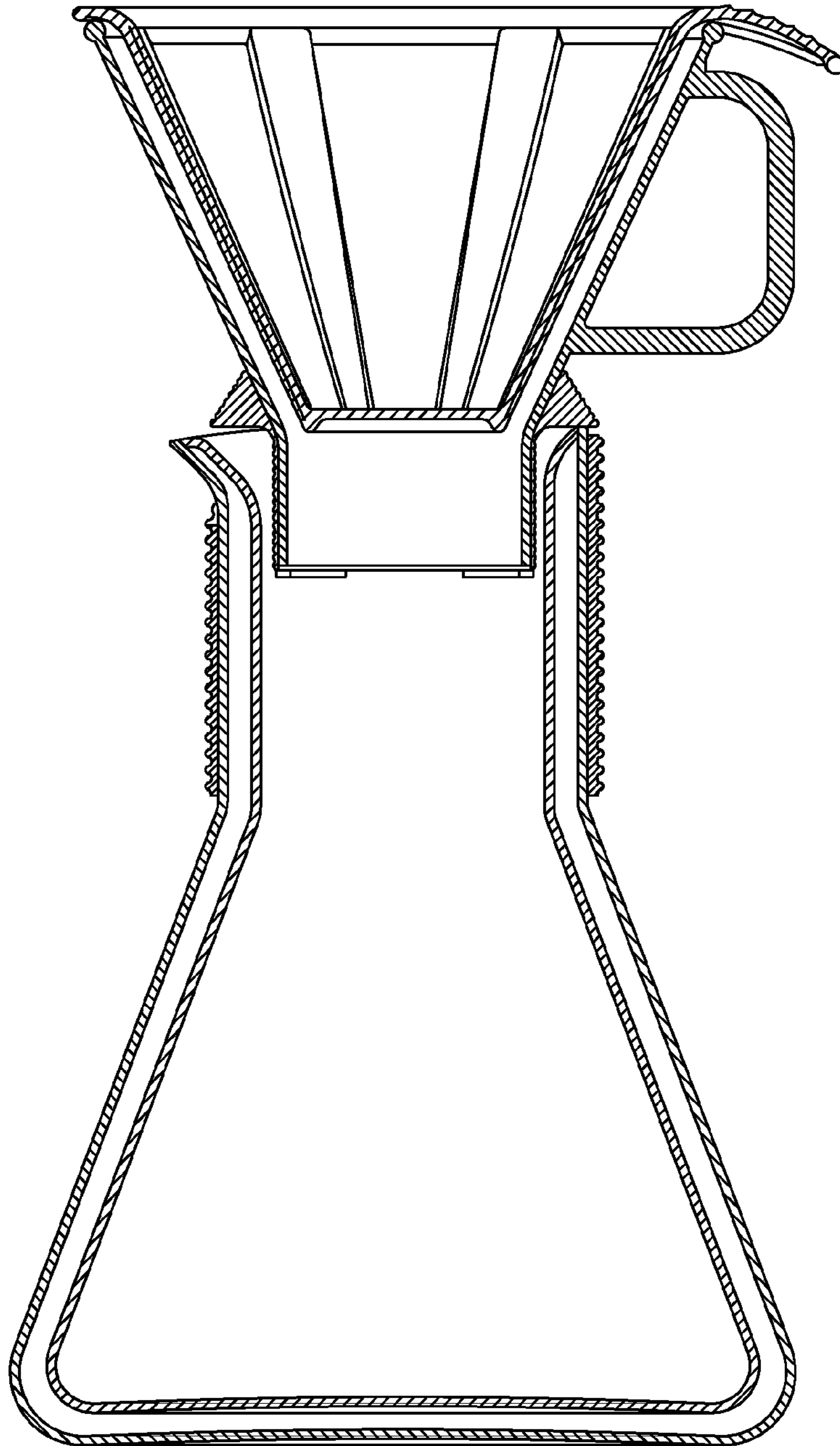


FIG. 8