



US00D580695S

(12) **United States Design Patent**
Negrin

(10) **Patent No.:** **US D580,695 S**

(45) **Date of Patent:** **** Nov. 18, 2008**

(54) **COMFORT PILLOW**

(76) **Inventor:** **Elliot Negrin**, 2935 Charlotte Dr.,
Merrick, NY (US) 11566

(**) **Term:** **14 Years**

(21) **Appl. No.:** **29/299,684**

(22) **Filed:** **Jan. 2, 2008**

(51) **LOC (8) Cl.** **06-09**

(52) **U.S. Cl.** **D6/601**

(58) **Field of Classification Search** D6/595-598,
D6/601, 604, 605; 5/630, 633, 636, 644,
5/652, 653, 655, 655.3, 655.9, 907; D24/183;
D21/803, 681, 682, 684

See application file for complete search history.

(56) **References Cited**

U.S. PATENT DOCUMENTS

D251,935 S *	5/1979	Ikezaki	D3/274
4,538,806 A *	9/1985	Wilkerson	482/108
D369,373 S	4/1996	Watkins, Jr.		
D382,164 S *	8/1997	Hays	D6/601
D388,648 S	1/1998	Bates		
D398,803 S *	9/1998	Motes	D6/601
D404,239 S	1/1999	Denney		
D416,427 S *	11/1999	Pecora et al.	D6/601
D418,711 S	1/2000	Mettler		

D420,845 S	2/2000	Rumage		
D434,588 S *	12/2000	Allan	D6/601
D446,677 S *	8/2001	Hall et al.	D6/601
D465,151 S *	11/2002	Mixon	D9/668
6,484,335 B2 *	11/2002	Gilbert	5/636

* cited by examiner

Primary Examiner—Janice E Seeger

(74) *Attorney, Agent, or Firm*—Husch Blackwell Sanders
LLP

(57) **CLAIM**

The ornamental design for comfort pillow, as shown and described.

DESCRIPTION

FIG. 1 is a perspective view of a comfort pillow showing my new design.

FIG. 2 is a front elevational view thereof, the rear elevational view, top view and bottom view being a mirror image thereof.

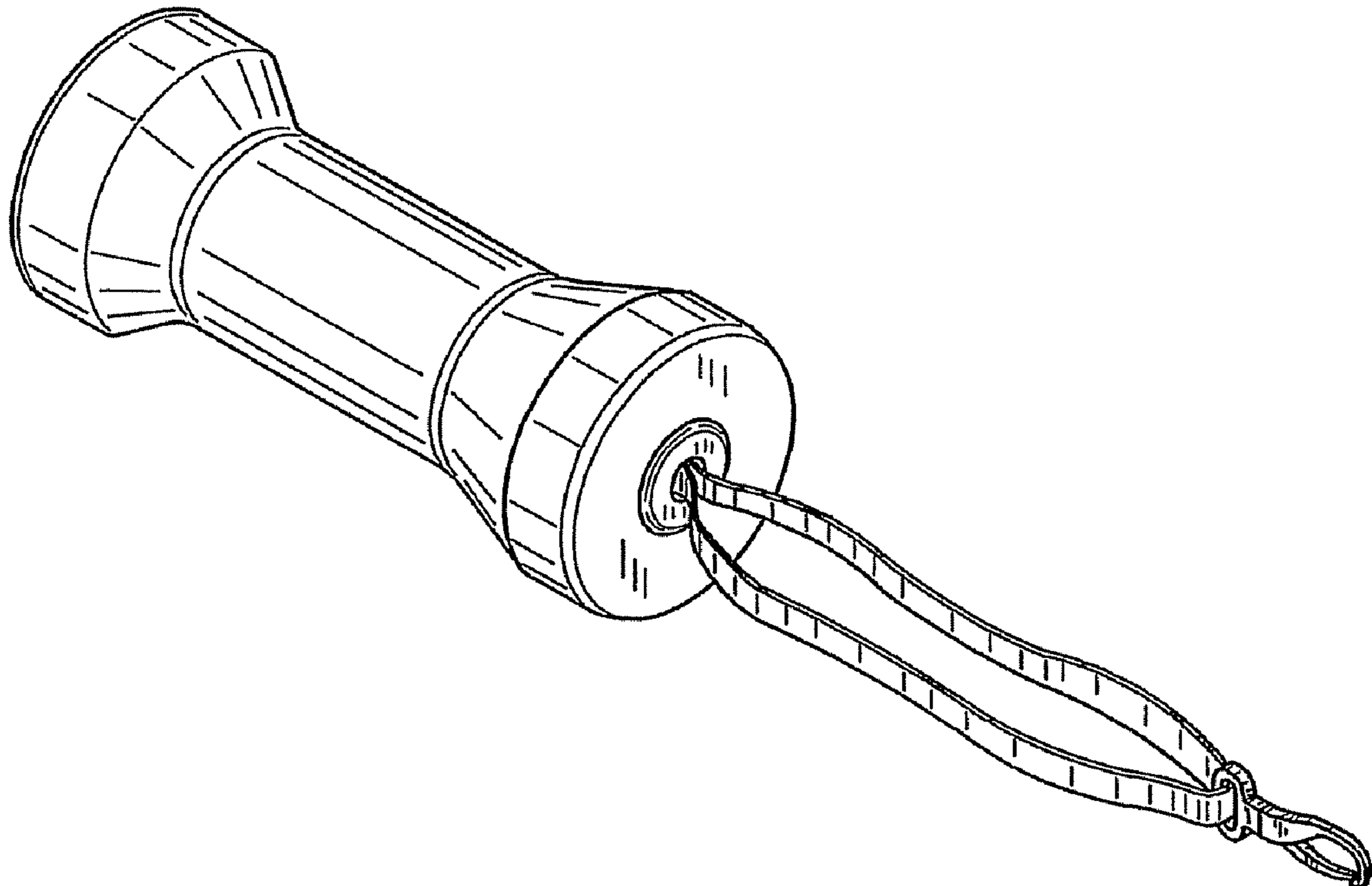
FIG. 3 is a left end elevational view thereof.

FIG. 4 is a right end elevational view thereof; and,

FIG. 5 is a perspective view of the tether and clip of FIG. 1.

The cushion and its tether/clip are shown separately in FIGS. 2-4 for convenience of illustration.

1 Claim, 1 Drawing Sheet



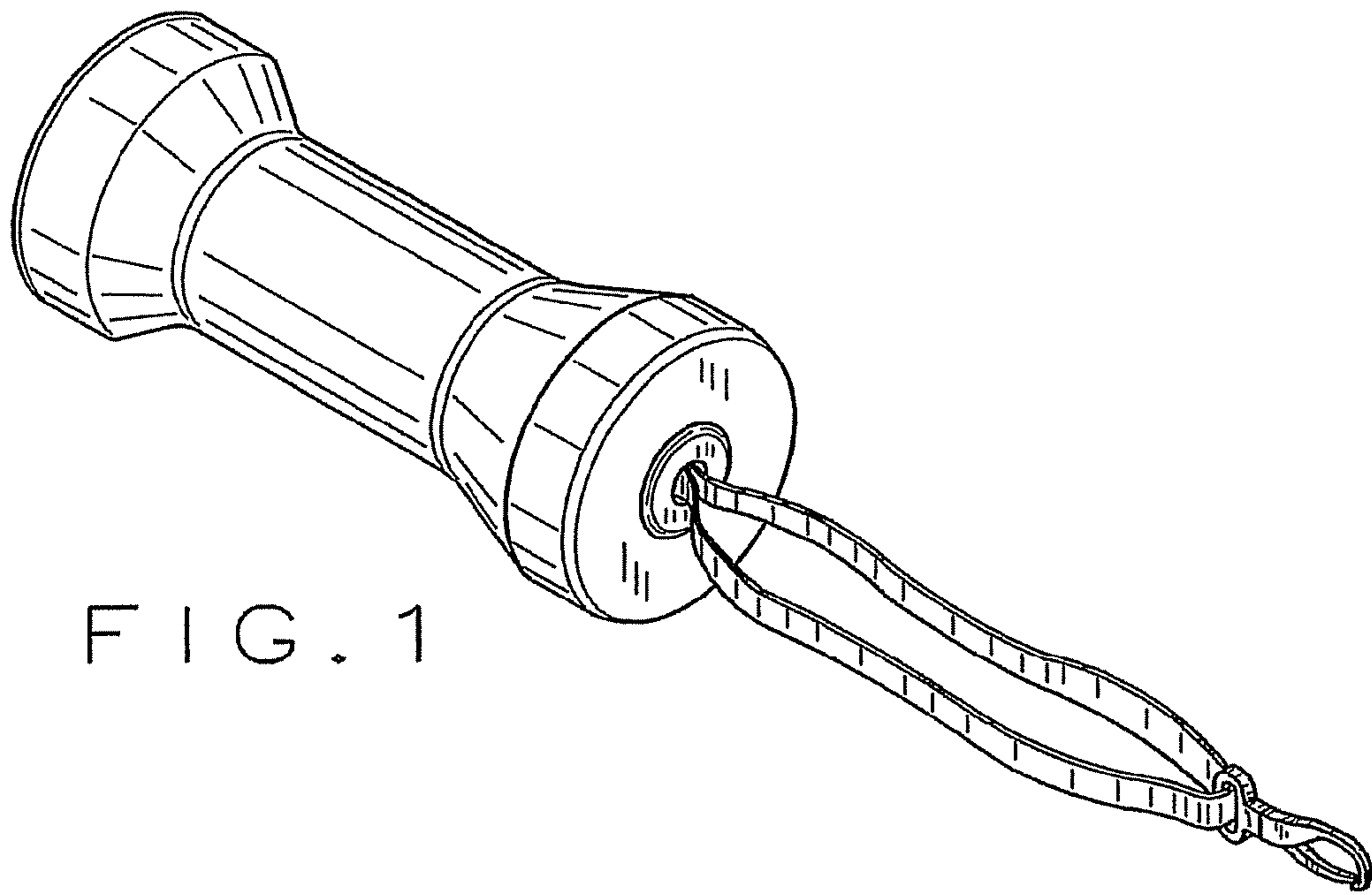


FIG. 1

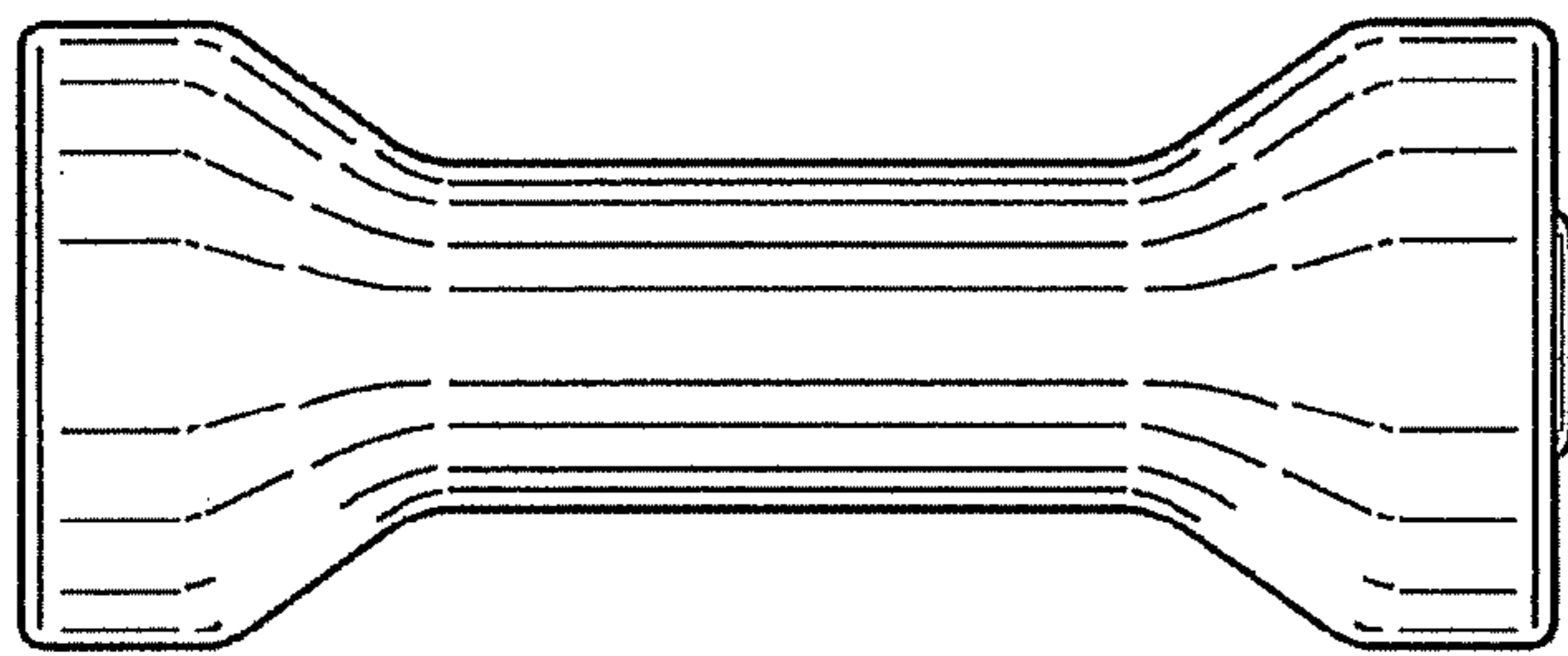


FIG. 2

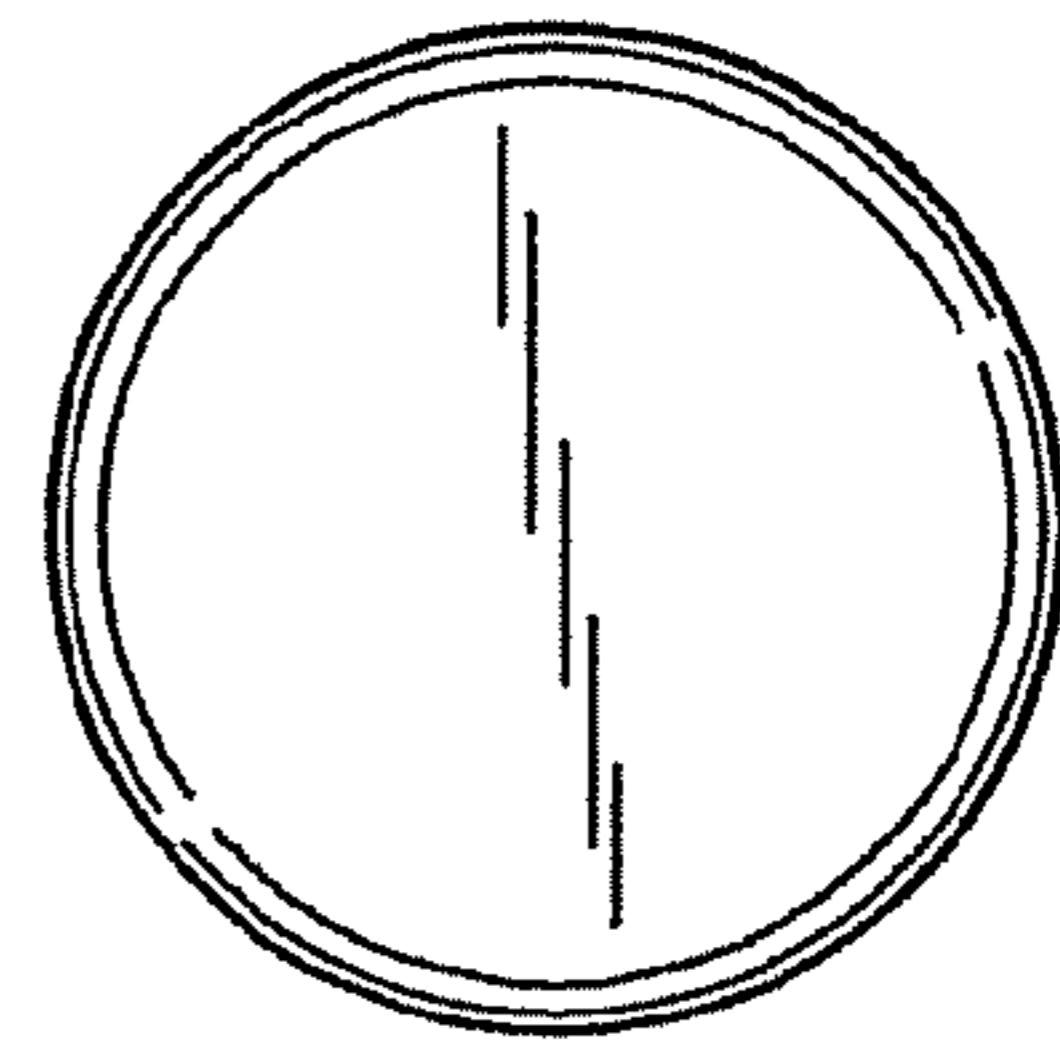


FIG. 3

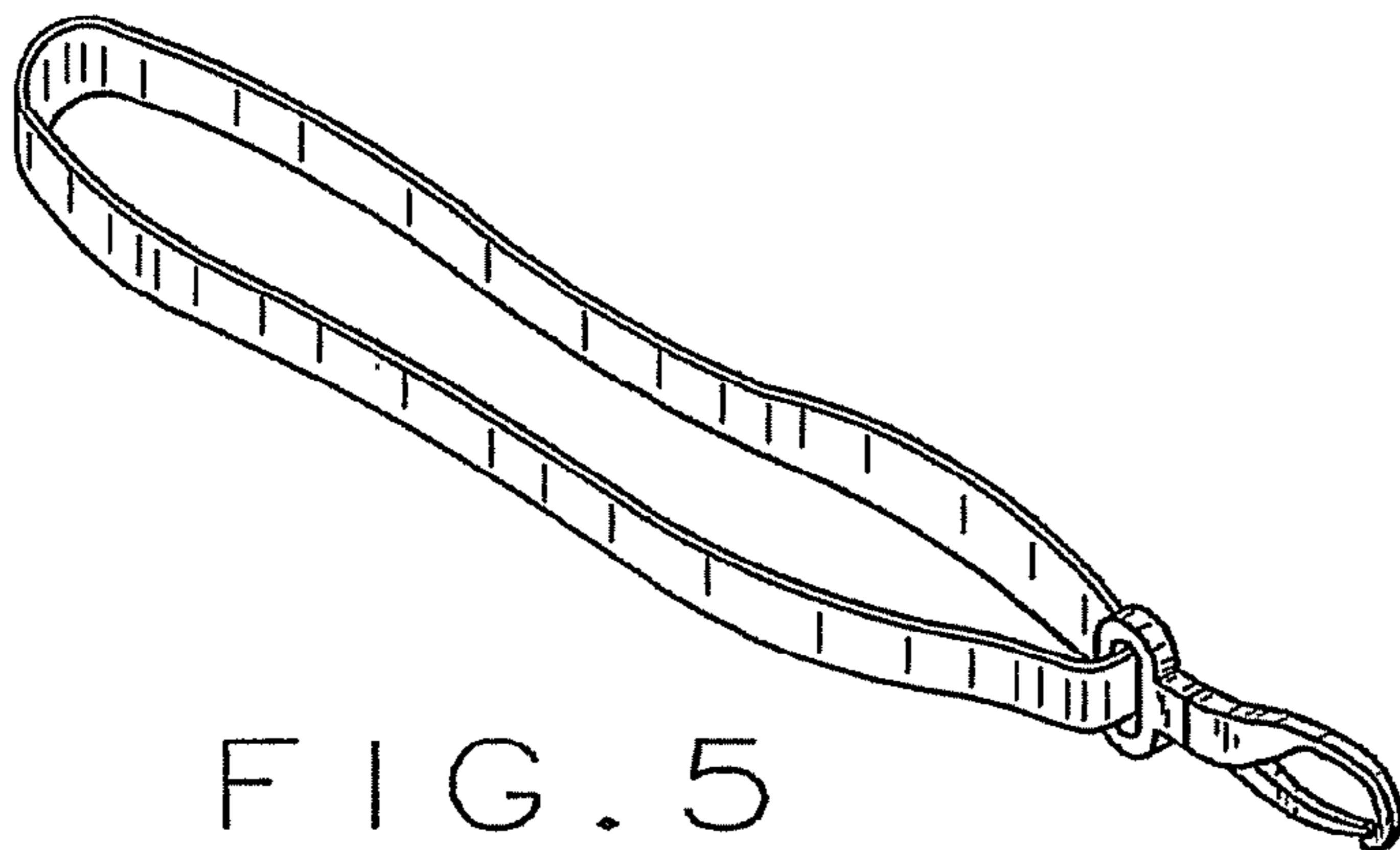


FIG. 5

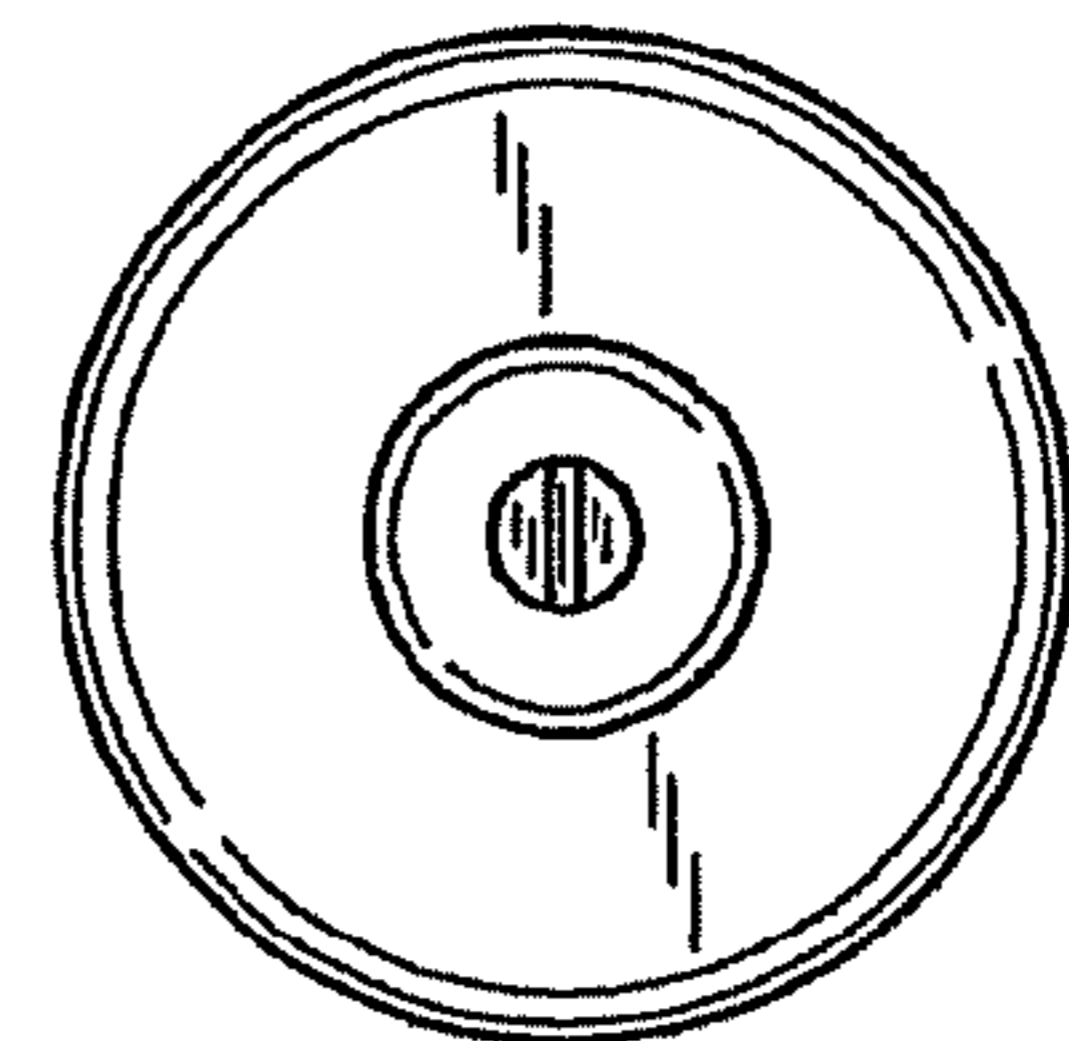


FIG. 4