



US00D580693S

(12) **United States Design Patent**
Cotilletta

(10) **Patent No.:** **US D580,693 S**

(45) **Date of Patent:** **** Nov. 18, 2008**

(54) **BOTTLE CADDY**

(76) **Inventor:** **Joesph Cotilletta**, 130 Broadway,
Cresskill, NJ (US) 07626

(**) **Term:** **14 Years**

(21) **Appl. No.:** **29/236,129**

(22) **Filed:** **Aug. 10, 2005**

(51) **LOC (8) Cl.** **06-04**

(52) **U.S. Cl.** **D6/553**

(58) **Field of Classification Search** D6/553,
D6/540, 545, 567; D7/602, 620, 632; D8/18,
D8/37, 363, 373; D14/238; 81/3.25, 3.27,
81/3.41; 211/63, 74, 75, 87.01; 248/311.2,
248/312, 312.1, 313, 689, 692; 206/736,
206/756; D9/515, 722

See application file for complete search history.

(56) **References Cited**

U.S. PATENT DOCUMENTS

- 2,252,260 A * 8/1941 Jones 248/311.2
- 2,412,847 A * 12/1946 Tilburg 211/35
- D160,453 S * 10/1950 Ajouelo D8/18

- D229,190 S * 11/1973 Landell D14/253
- 4,774,859 A * 10/1988 Jarvis, Sr. 81/3.27
- D305,431 S * 1/1990 Adams D8/367
- D310,019 S * 8/1990 Kee D8/373
- D347,538 S * 6/1994 Fleischer D6/567
- D363,211 S * 10/1995 Noble D8/395
- D408,721 S * 4/1999 Sartini D8/363
- D452,099 S * 12/2001 Poitras et al. D6/545
- D477,956 S * 8/2003 Grisdale et al. D6/553
- D498,958 S * 11/2004 Henry D6/534

* cited by examiner

Primary Examiner—Prabhakar Deshmukh

Assistant Examiner—Derrick Holland

(74) *Attorney, Agent, or Firm*—Richard A. Joel, Esq.

(57) **CLAIM**

The ornamental design of a bottle caddy, as shown and described.

DESCRIPTION

FIG. 1 is a rear perspective view of a bottle caddy showing my new design; and,

FIG. 2 is a front perspective view thereof.

1 Claim, 1 Drawing Sheet

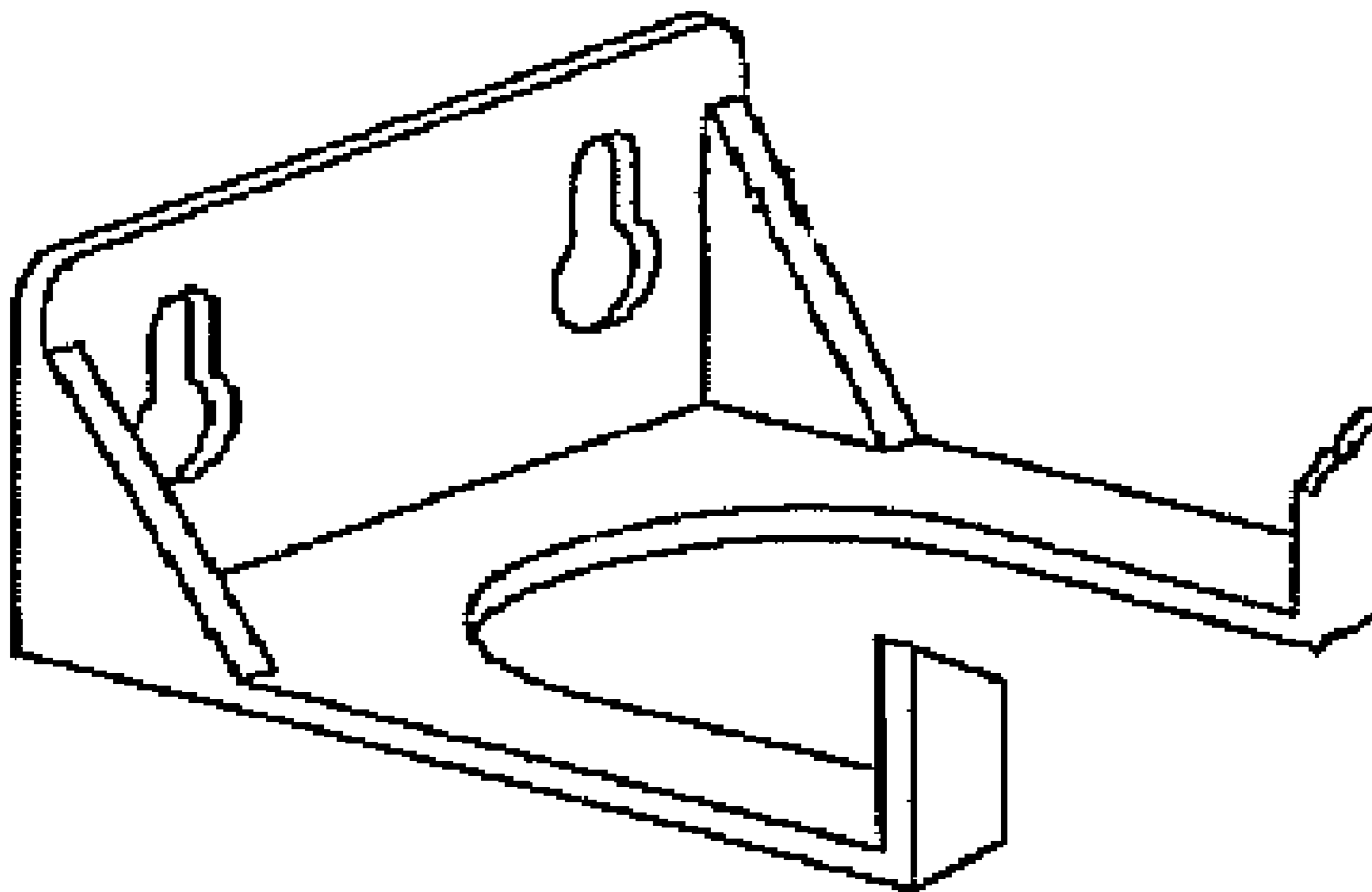


FIG. 1

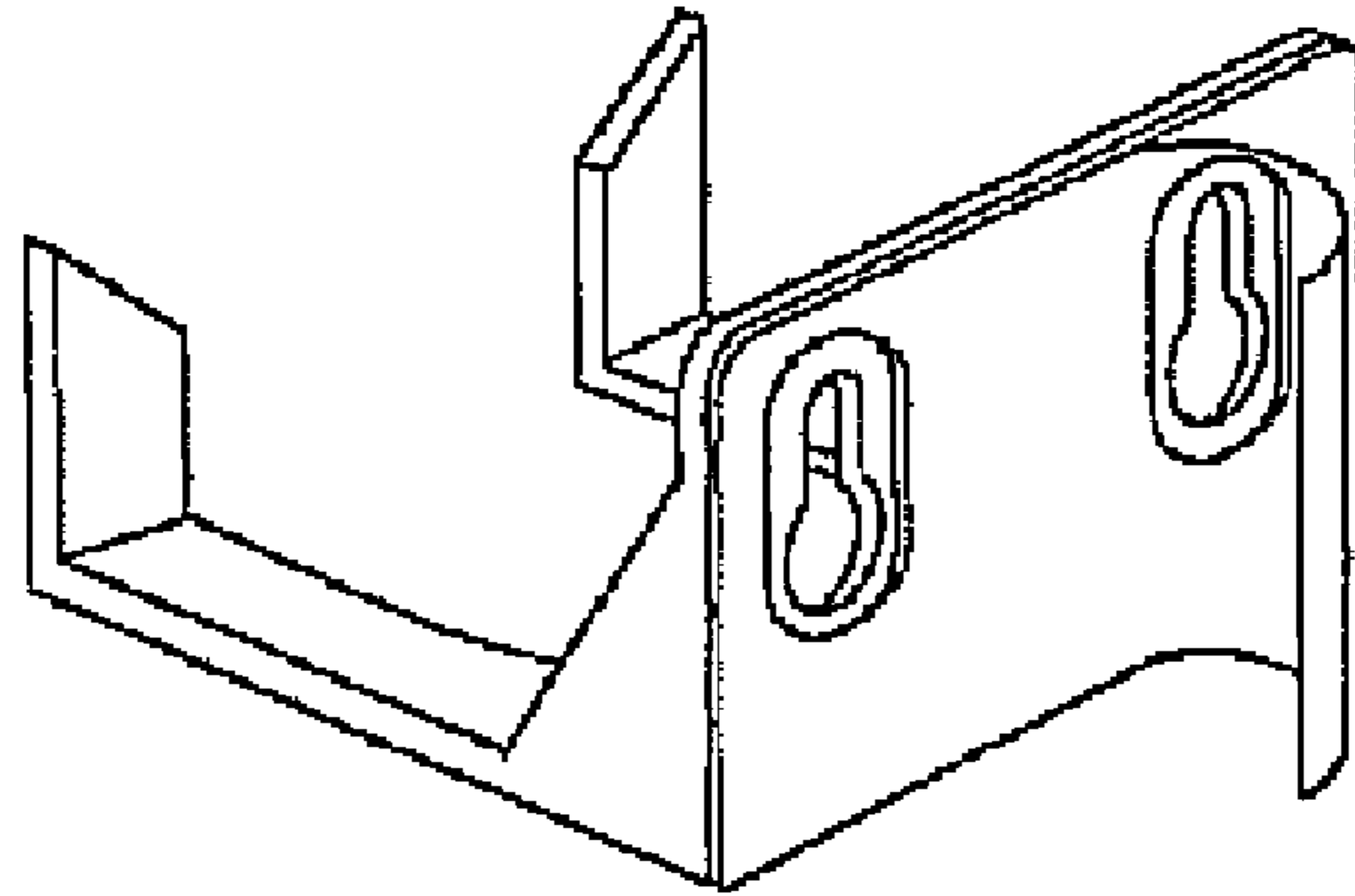


FIG. 2

