



US00D580686S

(12) **United States Design Patent**
Canova

(10) **Patent No.:** **US D580,686 S**

(45) **Date of Patent:** **** Nov. 18, 2008**

(54) **FURNITURE FOOT**

(75) Inventor: **Brian E. Canova**, Marlborough, MA
(US)

(73) Assignee: **Fourstar Group Inc.** (TW)

(**) Term: **14 Years**

(21) Appl. No.: **29/297,288**

(22) Filed: **Nov. 8, 2007**

(51) **LOC (8) Cl.** **06-04**

(52) **U.S. Cl.** **D6/495**

(58) **Field of Classification Search** D6/480-489,
D6/495-496, 498-499, 429, 397, 455, 469;
108/50, 33, 139, 150, 147, 127; D27/102,
D27/133-135

See application file for complete search history.

(56) **References Cited**

U.S. PATENT DOCUMENTS

D156,439	S *	12/1949	Lebensfeld	D6/495
2,994,152	A	8/1961	Donahue		
3,831,209	A	8/1974	Clingman		
D285,633	S *	9/1986	Doerner	D6/500
D350,041	S *	8/1994	Schwarzli	D6/495
D378,766	S *	4/1997	Schwarzli	D20/8
6,131,593	A	10/2000	Greene et al.		
D450,956	S *	11/2001	Asbjørnsen	D6/500
D452,404	S *	12/2001	Cameron	D6/601
D459,623	S *	7/2002	Tramontina	D6/515
D516,297	S *	3/2006	Smith et al.	D3/10
D531,863	S *	11/2006	Irwin	D8/1
D549,013	S	8/2007	Dale		

D568,603	S *	5/2008	Smith et al.	D3/10
D570,094	S *	6/2008	Wainwright	D3/17
2005/0205752	A1	9/2005	Pauli		
2007/0108358	A1	5/2007	Dale		

* cited by examiner

Primary Examiner—Elizabeth A Albert
Assistant Examiner—Kelley A Donnelly
(74) *Attorney, Agent, or Firm*—Salter & Michaelson

(57) **CLAIM**

The ornamental design for a furniture foot, as shown and described.

DESCRIPTION

FIG. 1 is a perspective view of a furniture foot showing my new design in operative position;

FIG. 2 is an enlarged perspective view of my new furniture foot per se;

FIG. 3 is a top plan view thereof;

FIG. 4 is a bottom plan view thereof;

FIG. 5 is a front elevational view thereof;

FIG. 6 is a rear elevational view thereof;

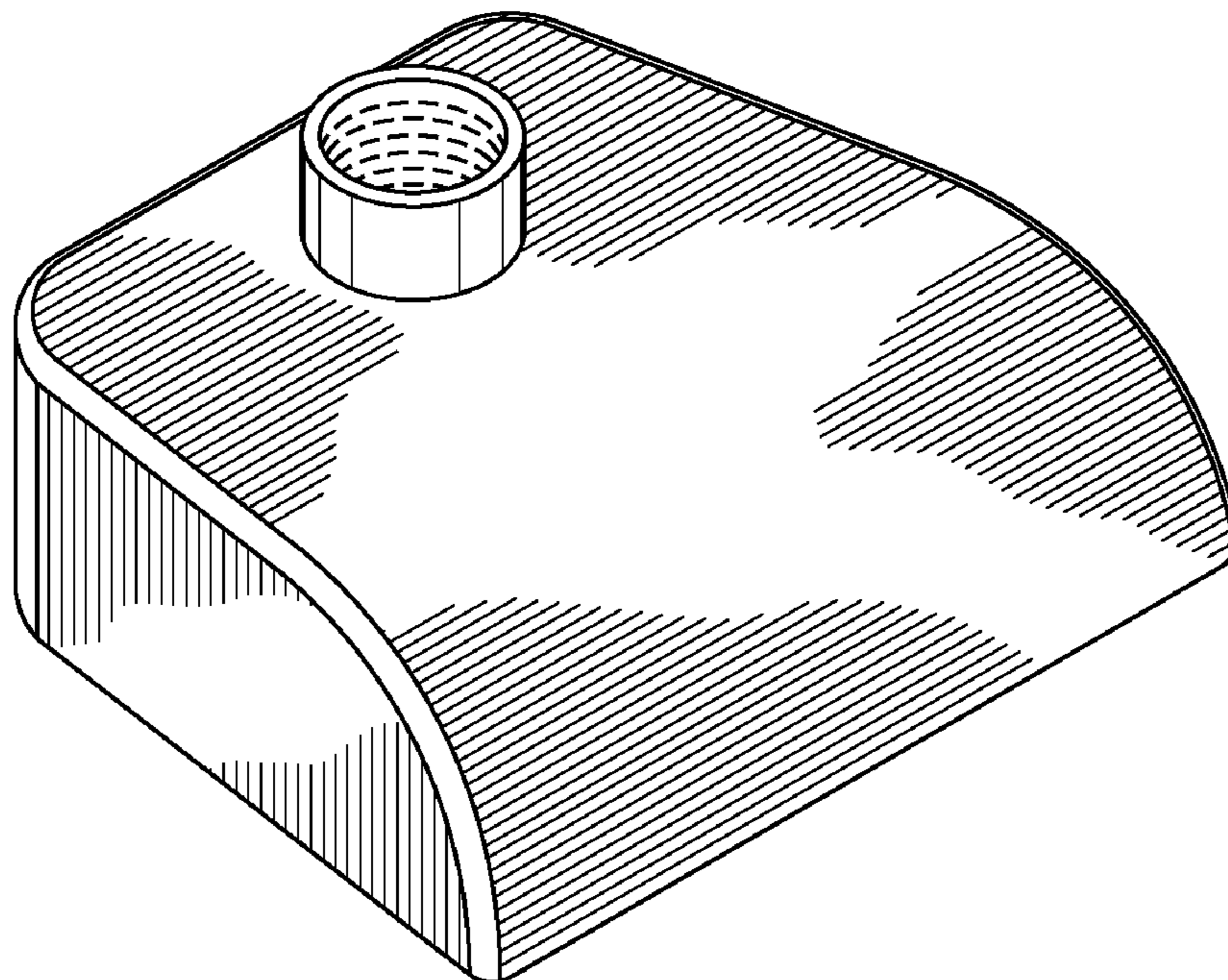
FIG. 7 is a left side view thereof;

FIG. 8 is a right side view thereof; and,

FIG. 9 is a section taken on line 9—9 of FIG. 5.

The broken lines shown in FIGS. 2, 3, and 9 represent threading, and the broken lines shown in FIG. 4 represent features that are for environmental purposes only and all broken lines form no part of the claimed design.

1 Claim, 5 Drawing Sheets



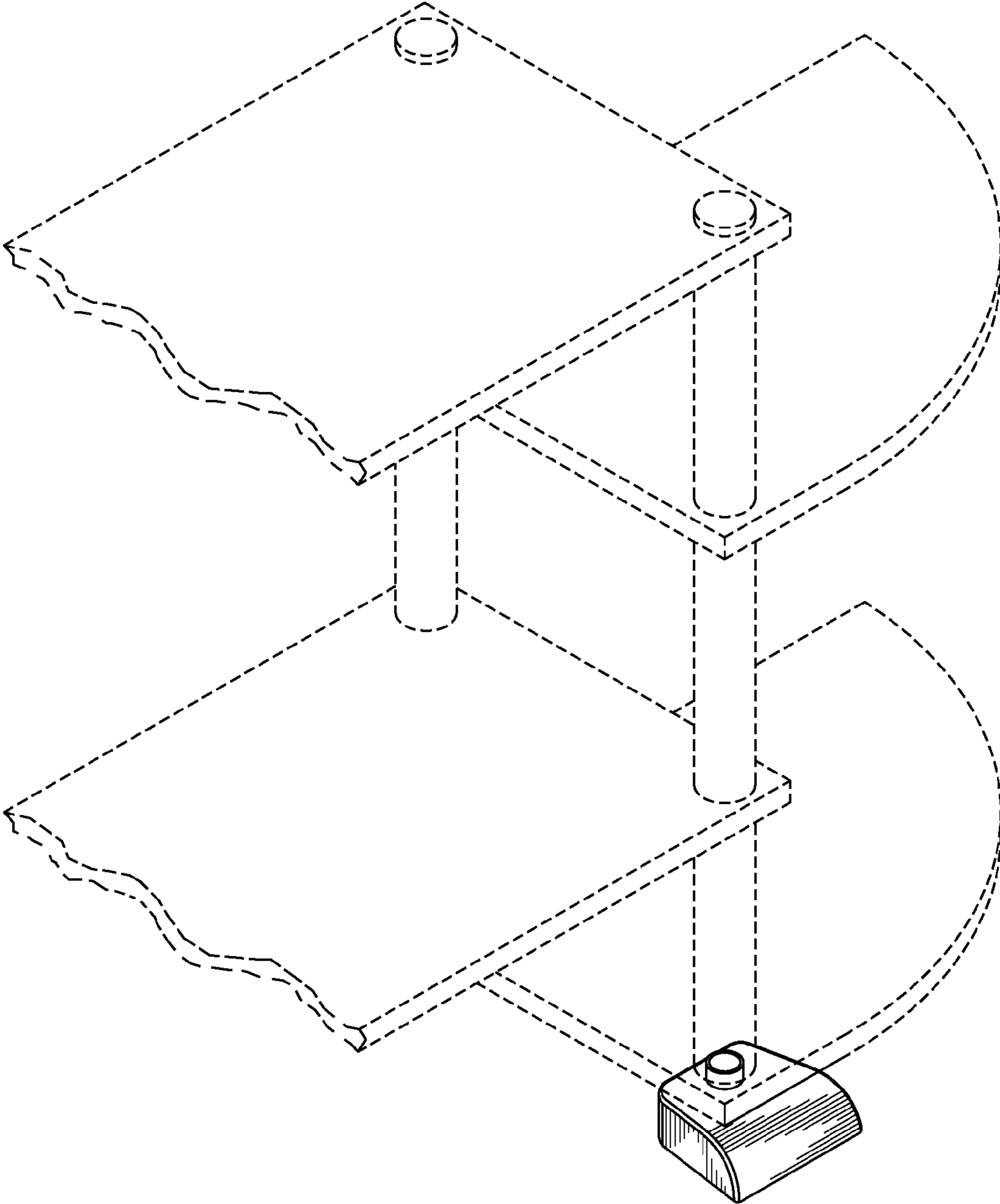


FIG. 1

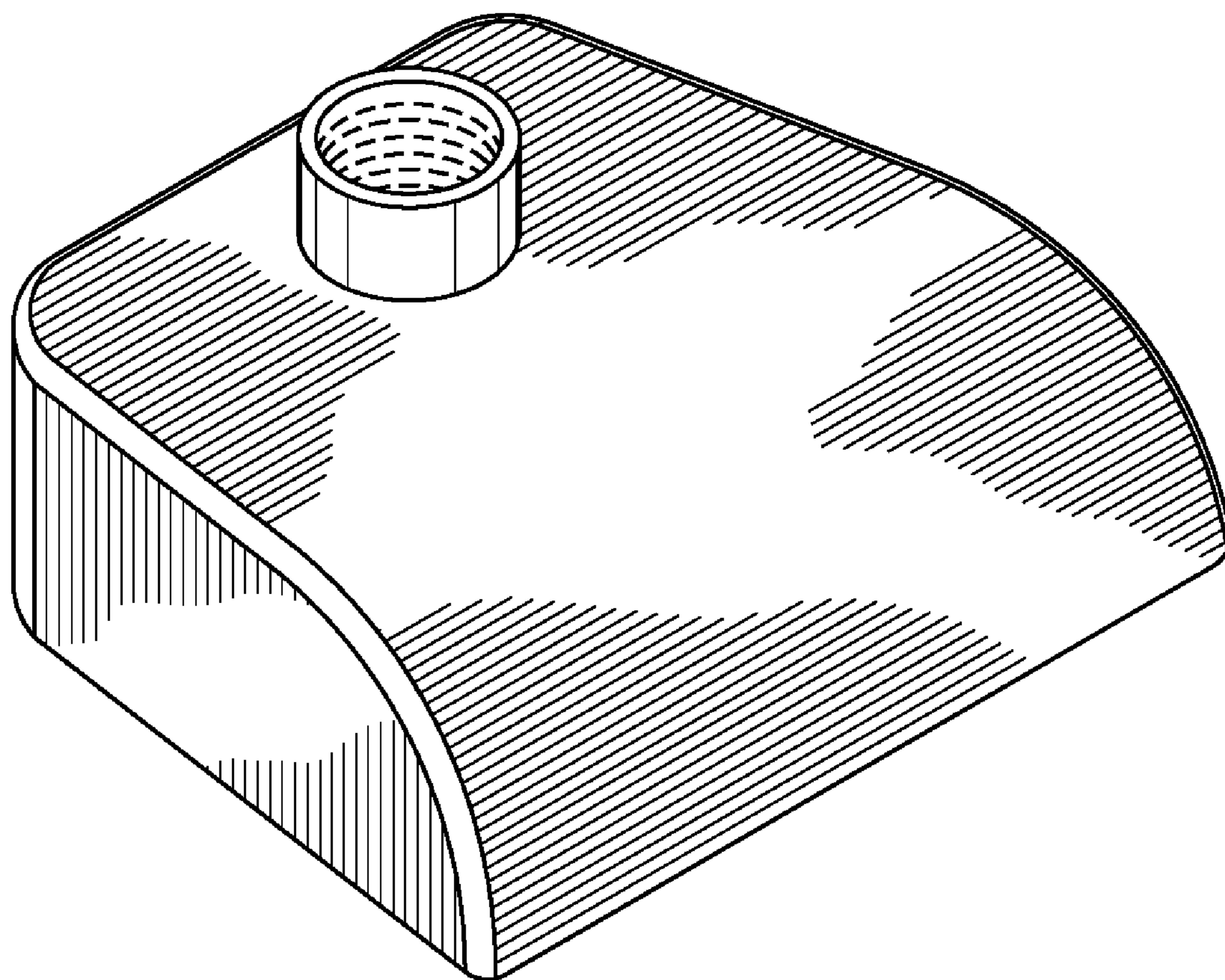


FIG. 2

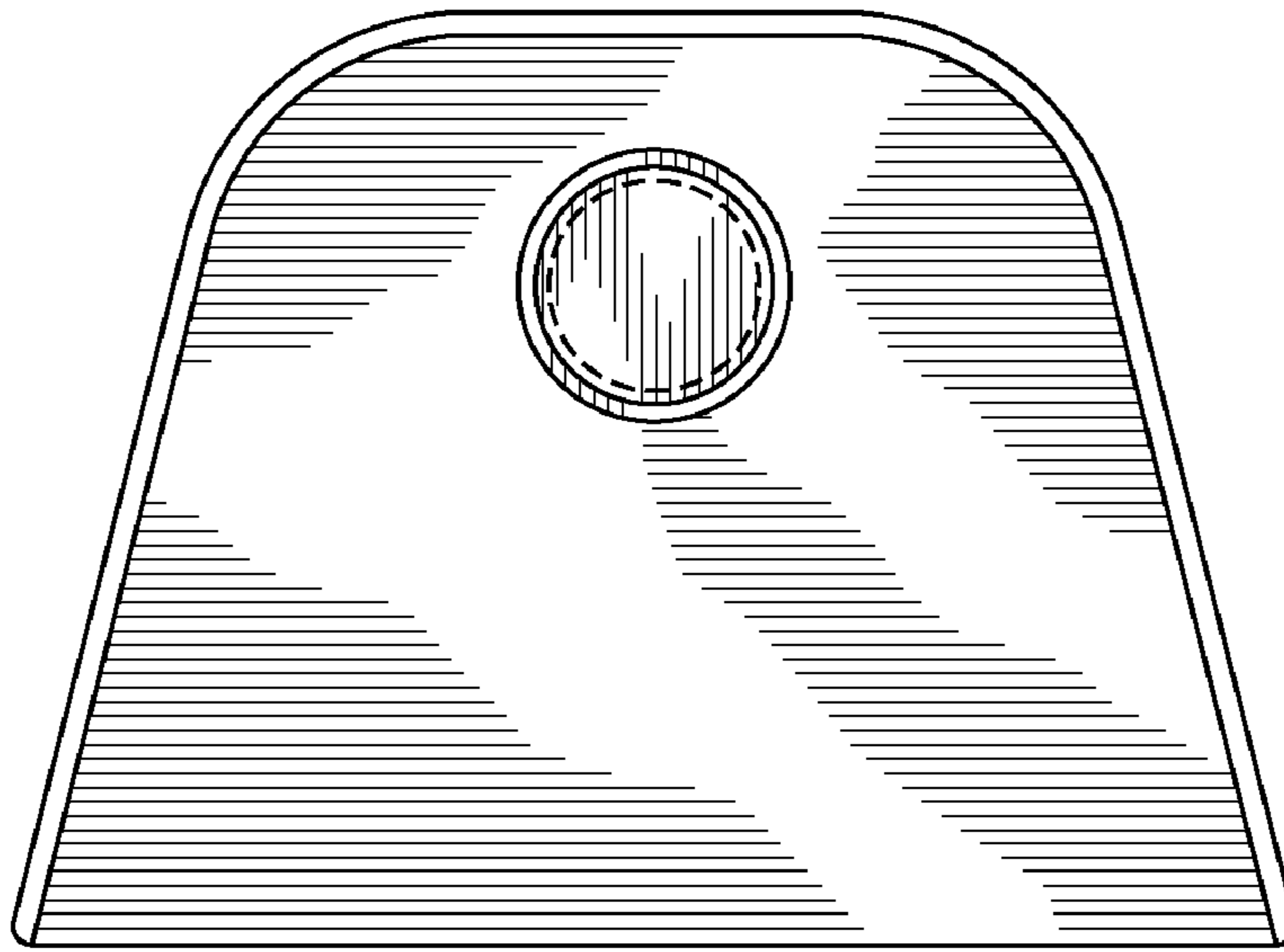


FIG. 3

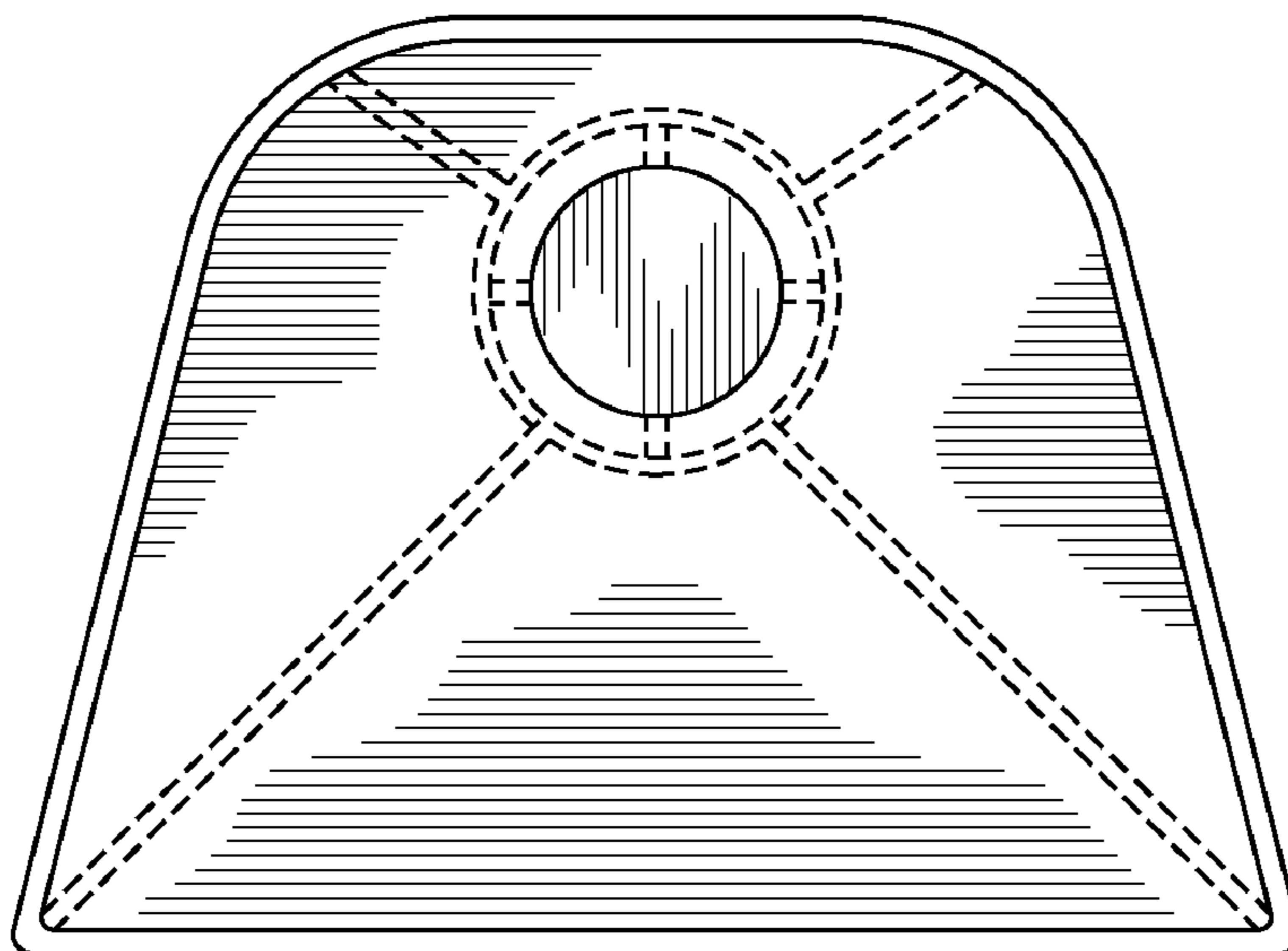


FIG. 4

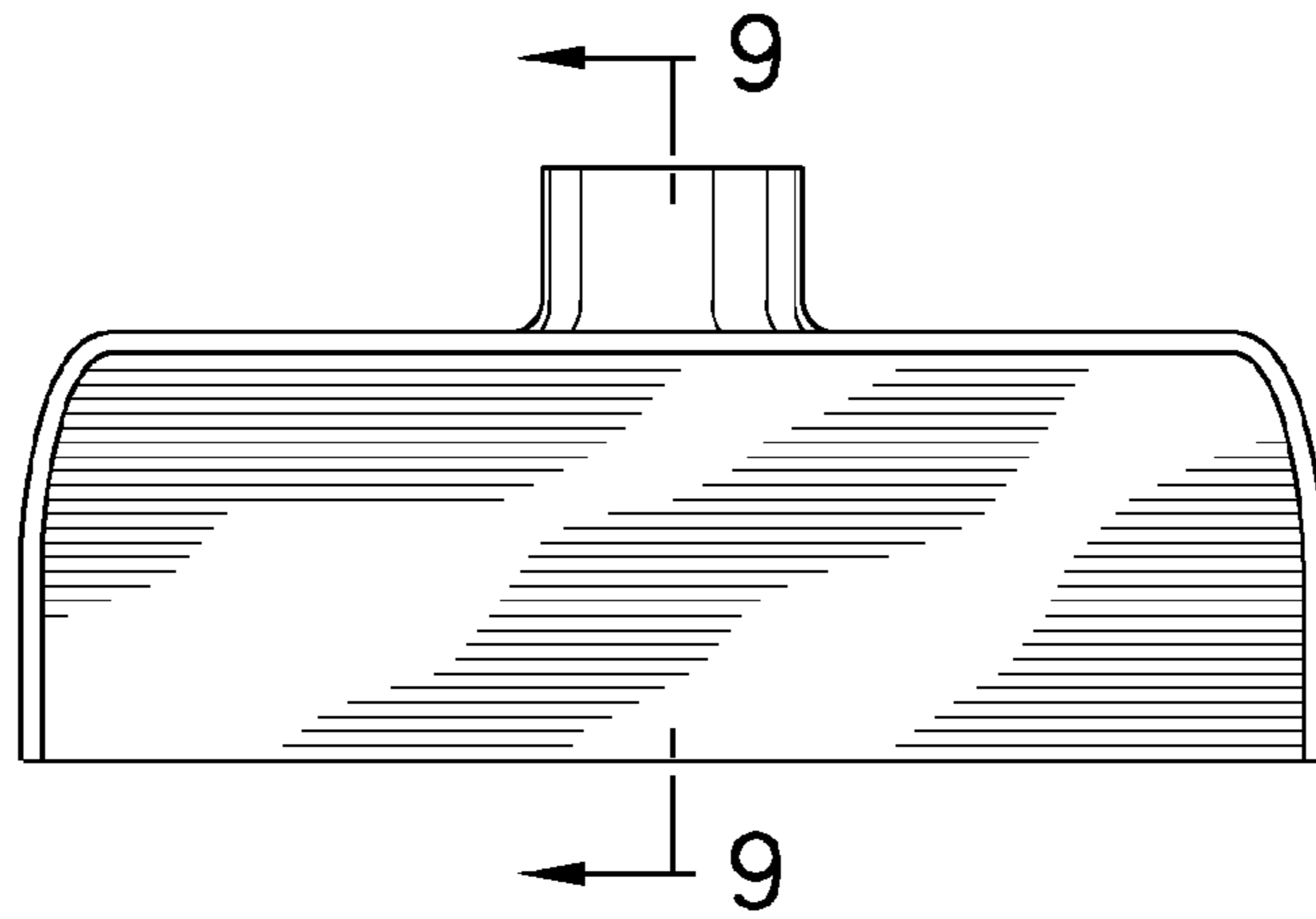


FIG. 5

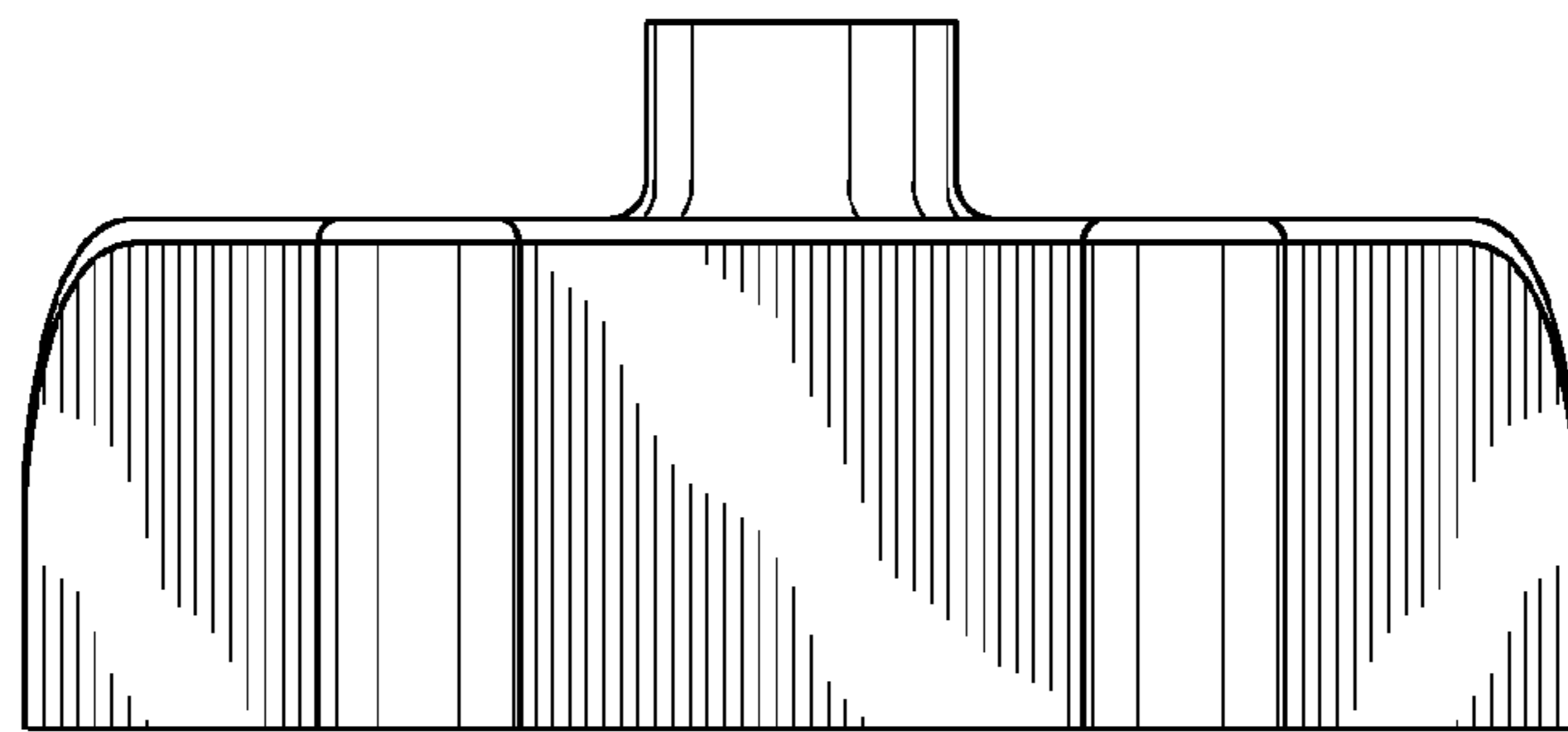


FIG. 6

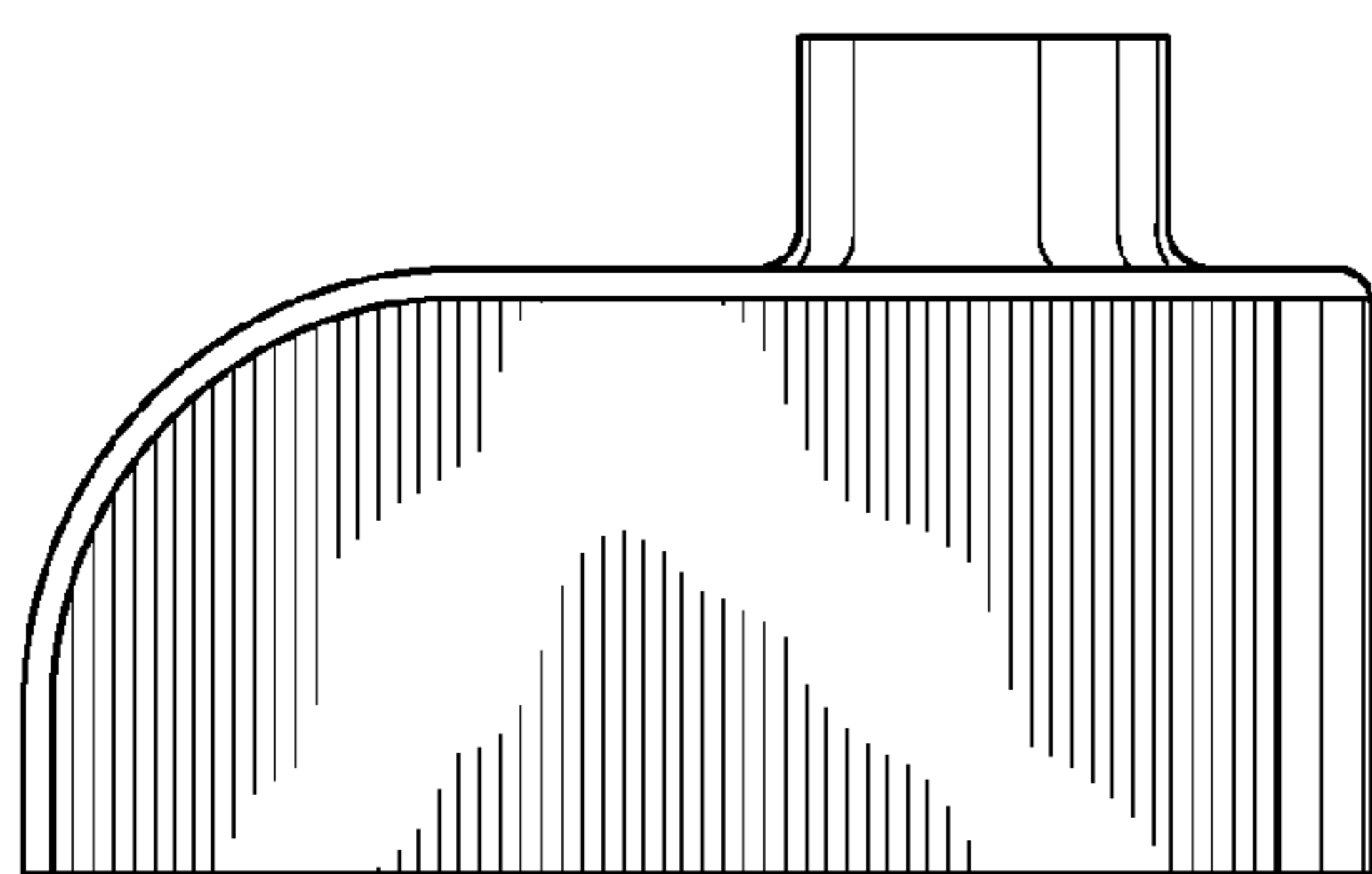


FIG. 7

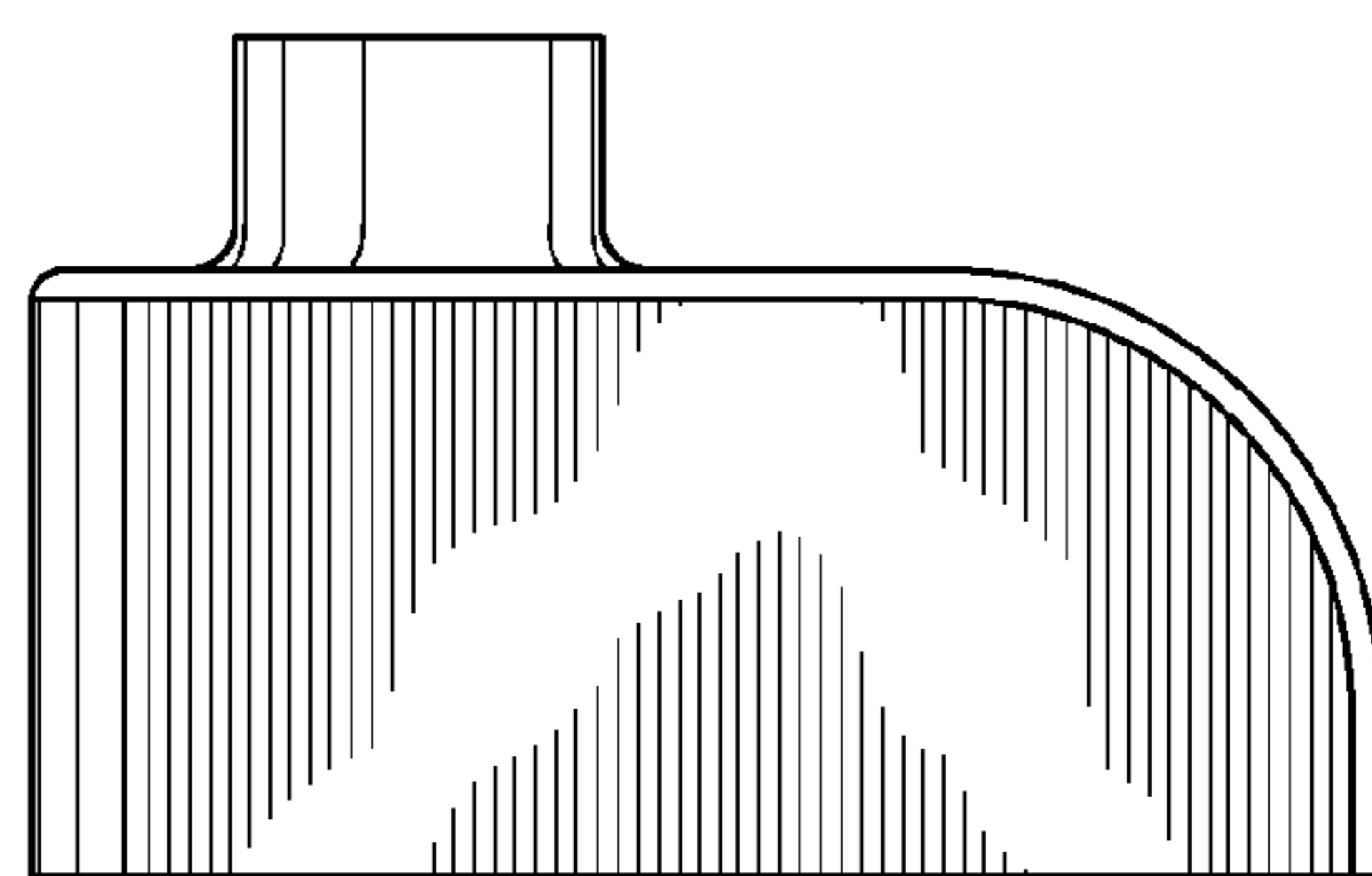


FIG. 8

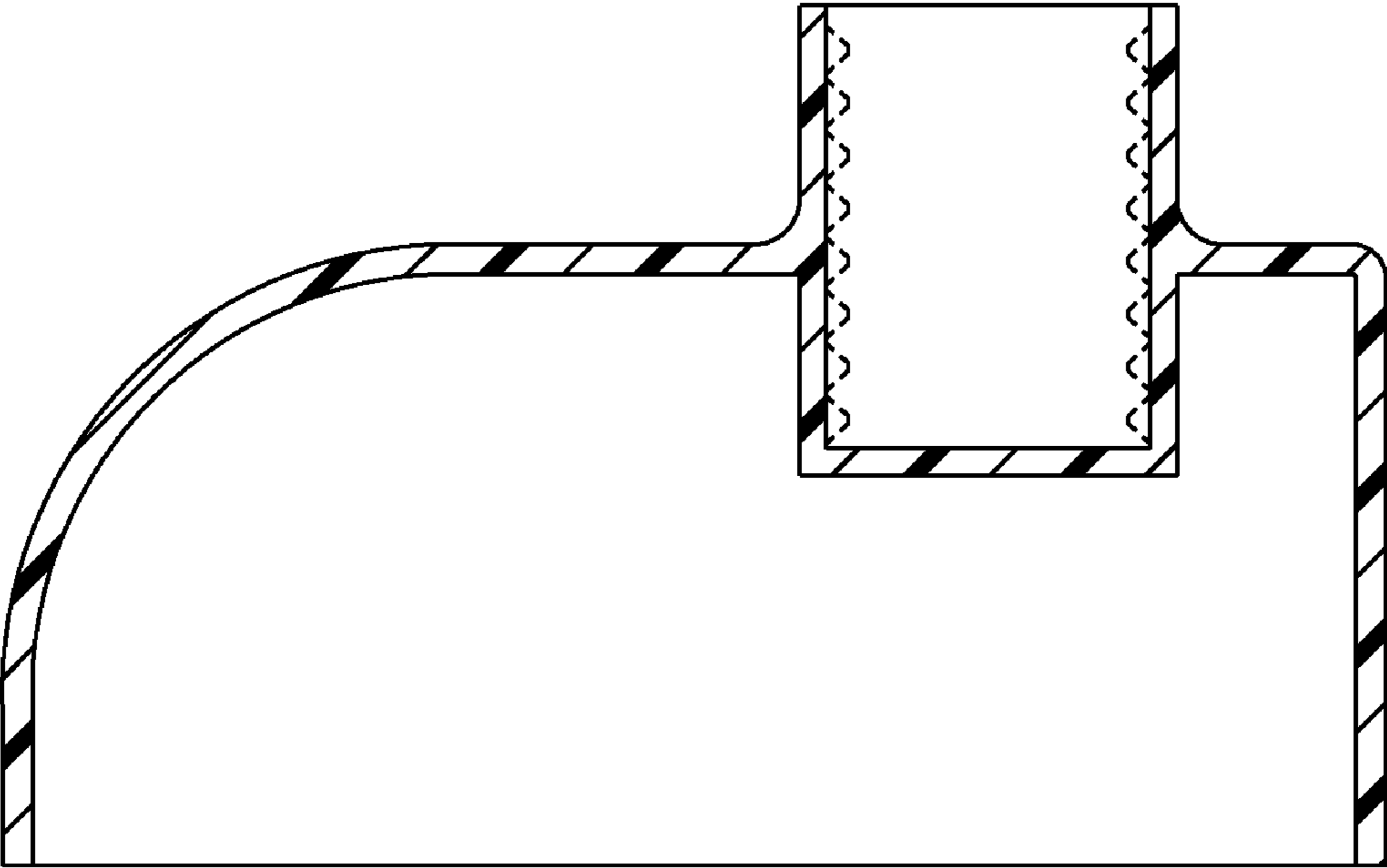


FIG. 9