



US00D580684S

(12) **United States Design Patent**
Sexton

(10) **Patent No.:** **US D580,684 S**

(45) **Date of Patent:** **** Nov. 18, 2008**

(54) **COMPUTER CORNER DESK**

(75) Inventor: **James S. Sexton**, San Ramon, CA (US)

(73) Assignee: **Z-Line Designs, Inc.**, San Ramon, CA (US)

(**) Term: **14 Years**

(21) Appl. No.: **29/295,880**

(22) Filed: **Oct. 9, 2007**

(51) **LOC (8) Cl.** **06-03**

(52) **U.S. Cl.** **D6/483**

(58) **Field of Classification Search** D6/480-489,
D6/495-499, 429-431, 451, 452, 422, 426,
D6/428; 108/150, 50.01, 50.02, 152, 153.1,
108/155, 156, 157.1; 248/188, 188.1, 188.7,
248/188.8, 188.9

See application file for complete search history.

(56) **References Cited**

U.S. PATENT DOCUMENTS

D76,386 S * 9/1928 Friedemann D6/474
D406,968 S * 3/1999 Tseng D6/482
D418,696 S * 1/2000 Tomar D6/484

D456,633 S * 5/2002 Chang D6/426
D469,980 S * 2/2003 Pressoir D6/426
D527,550 S * 9/2006 Sexton D6/480

* cited by examiner

Primary Examiner—Janice E Seeger

(74) *Attorney, Agent, or Firm*—Townsend and Townsend and Crew LLP

(57) **CLAIM**

The ornamental design for a computer corner desk, as shown and described.

DESCRIPTION

FIG. 1 is a perspective view of a computer corner desk showing my new design;

FIG. 2 is a front elevational view thereof;

FIG. 3 is a rear elevational view thereof;

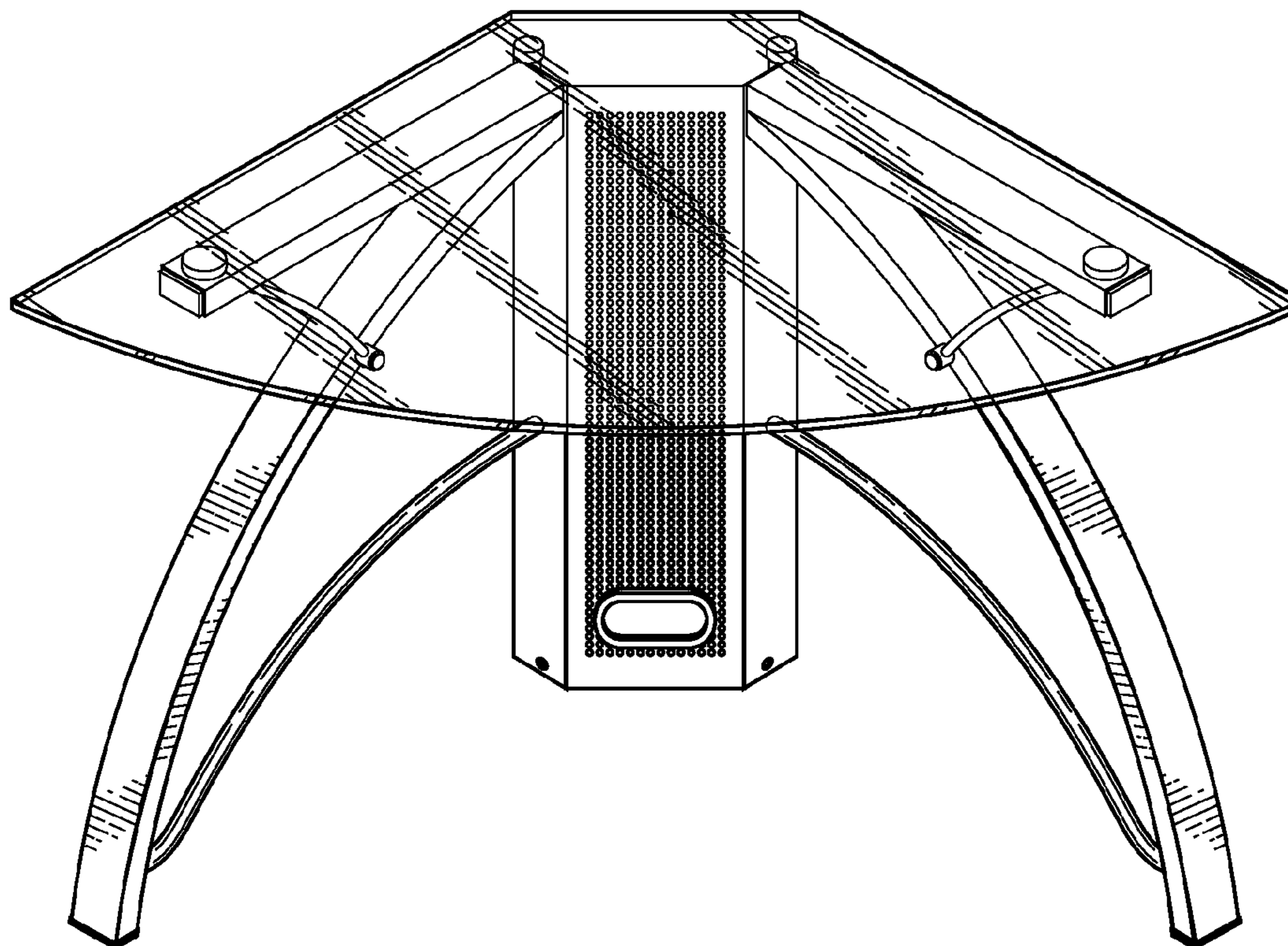
FIG. 4 is a left side elevational view thereof;

FIG. 5 is a right side elevational view thereof;

FIG. 6 is a top plan view thereof; and,

FIG. 7 is a bottom plan view thereof.

1 Claim, 4 Drawing Sheets



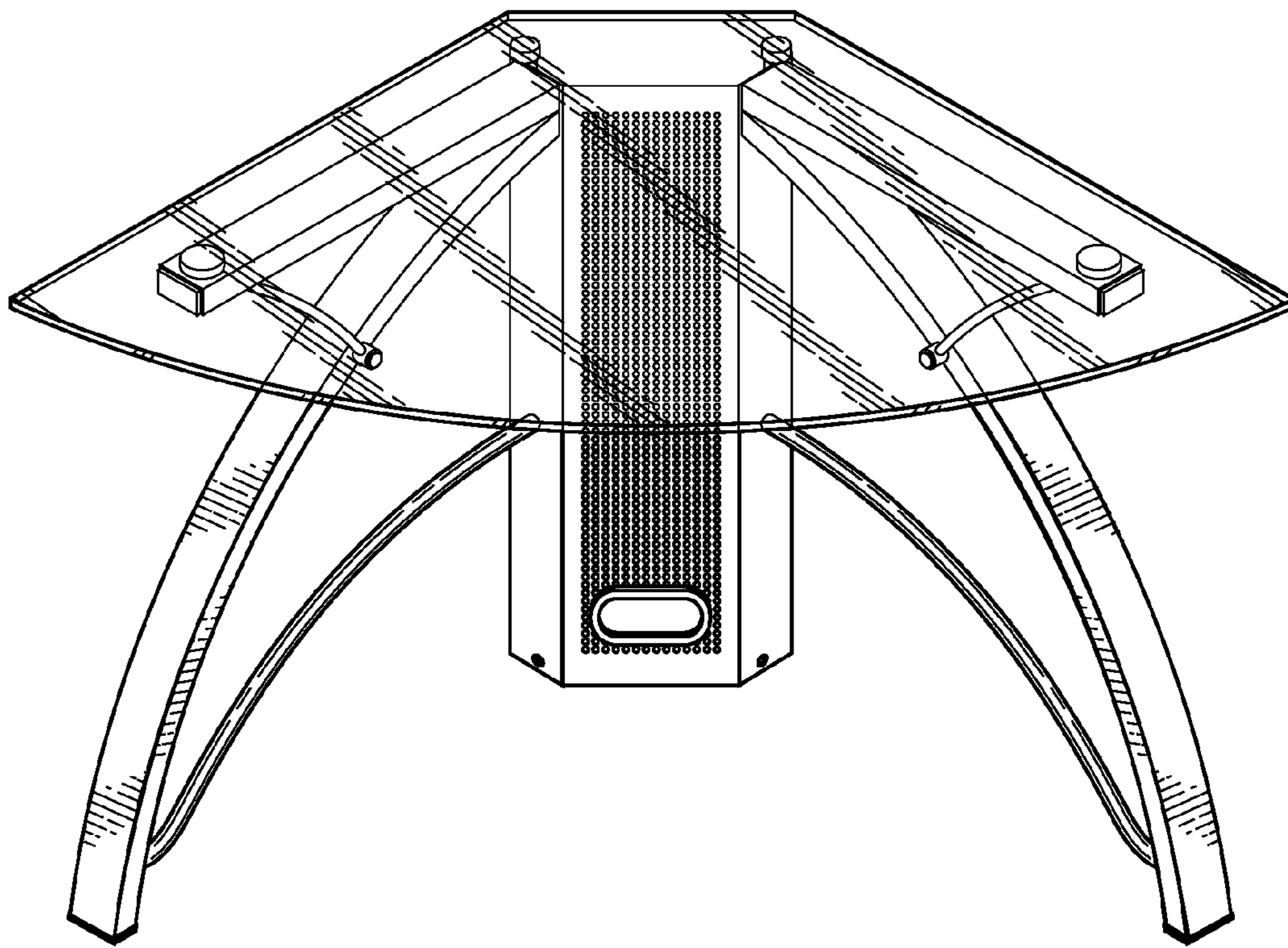


FIG. 1

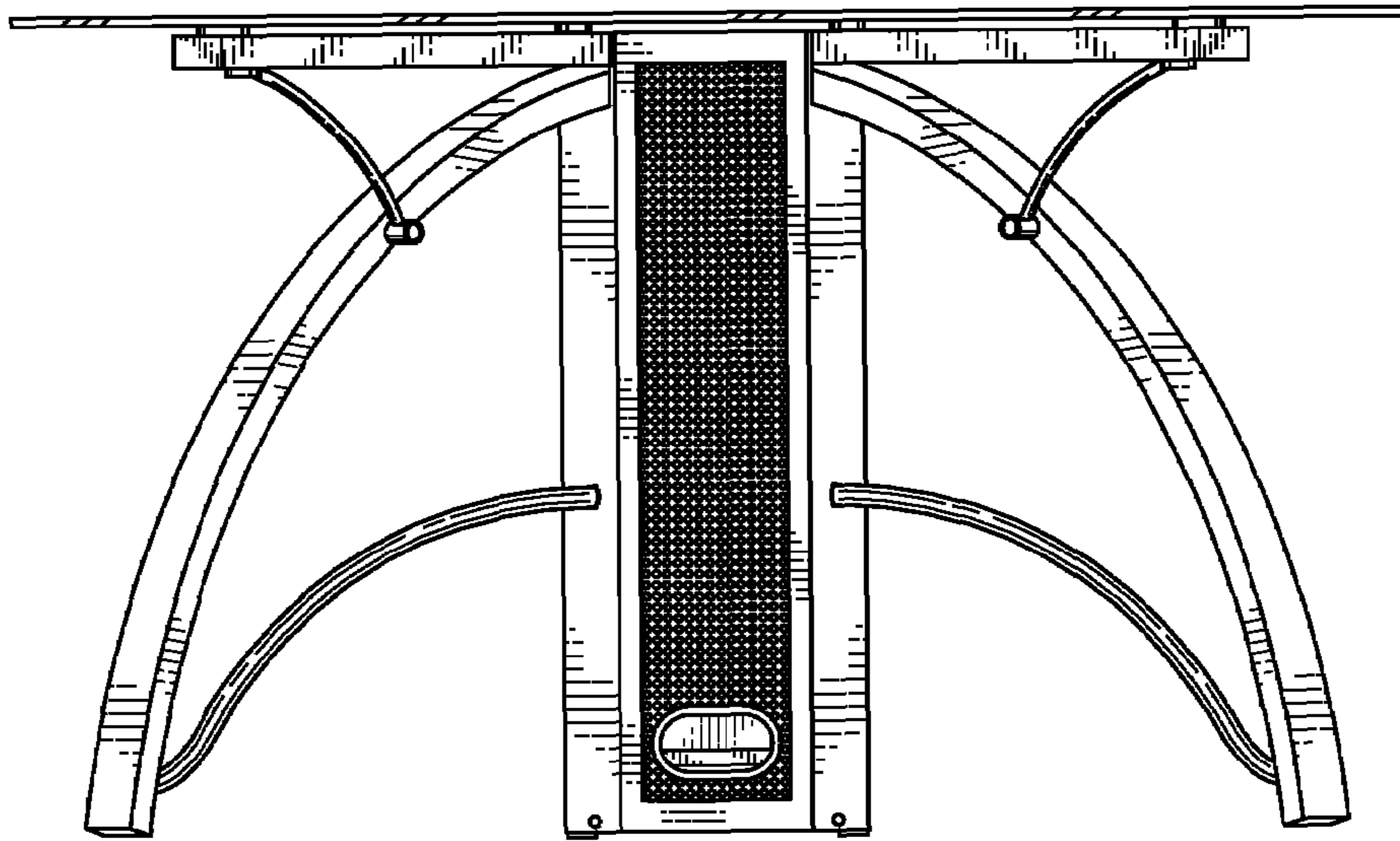


FIG. 2

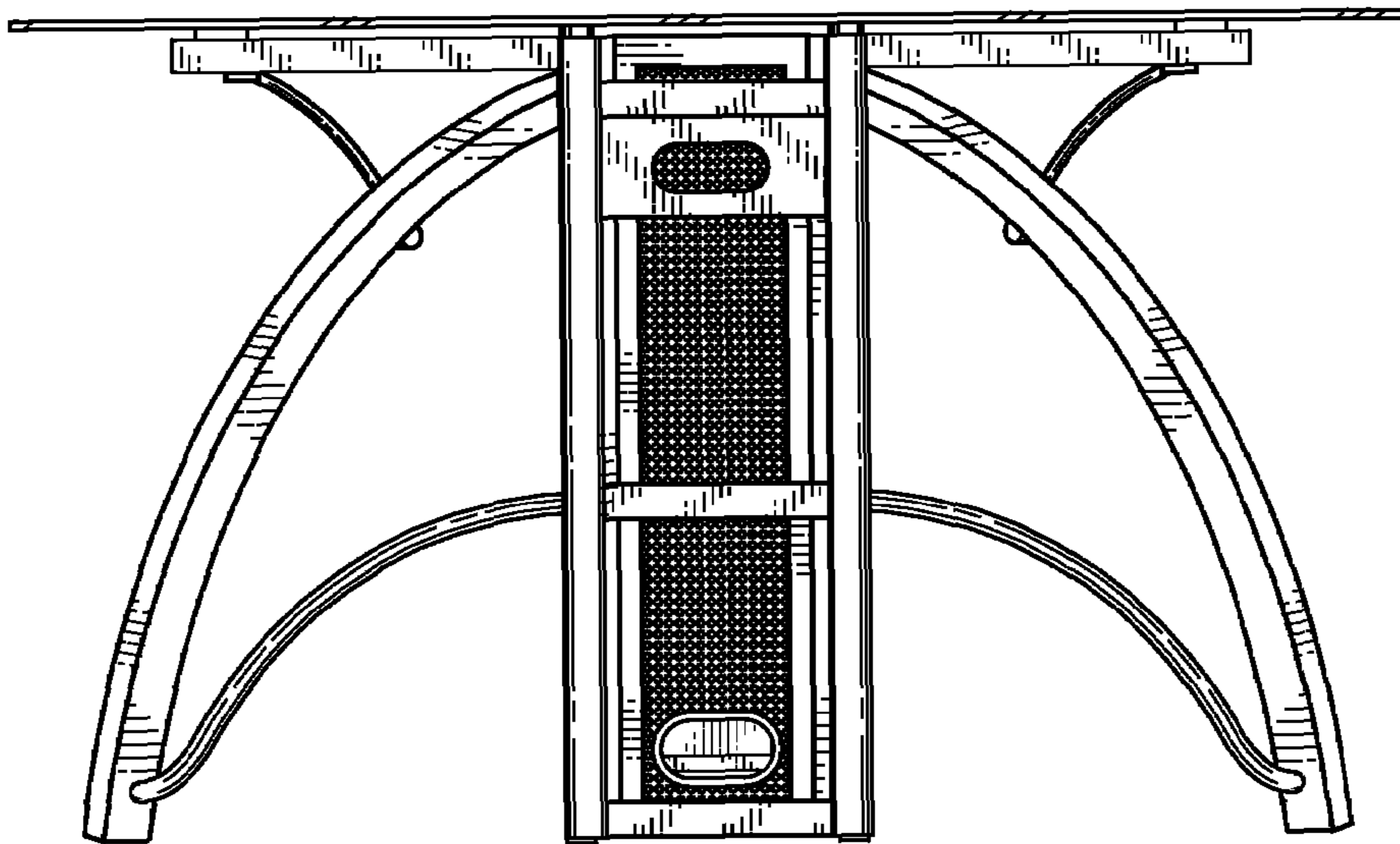


FIG. 3

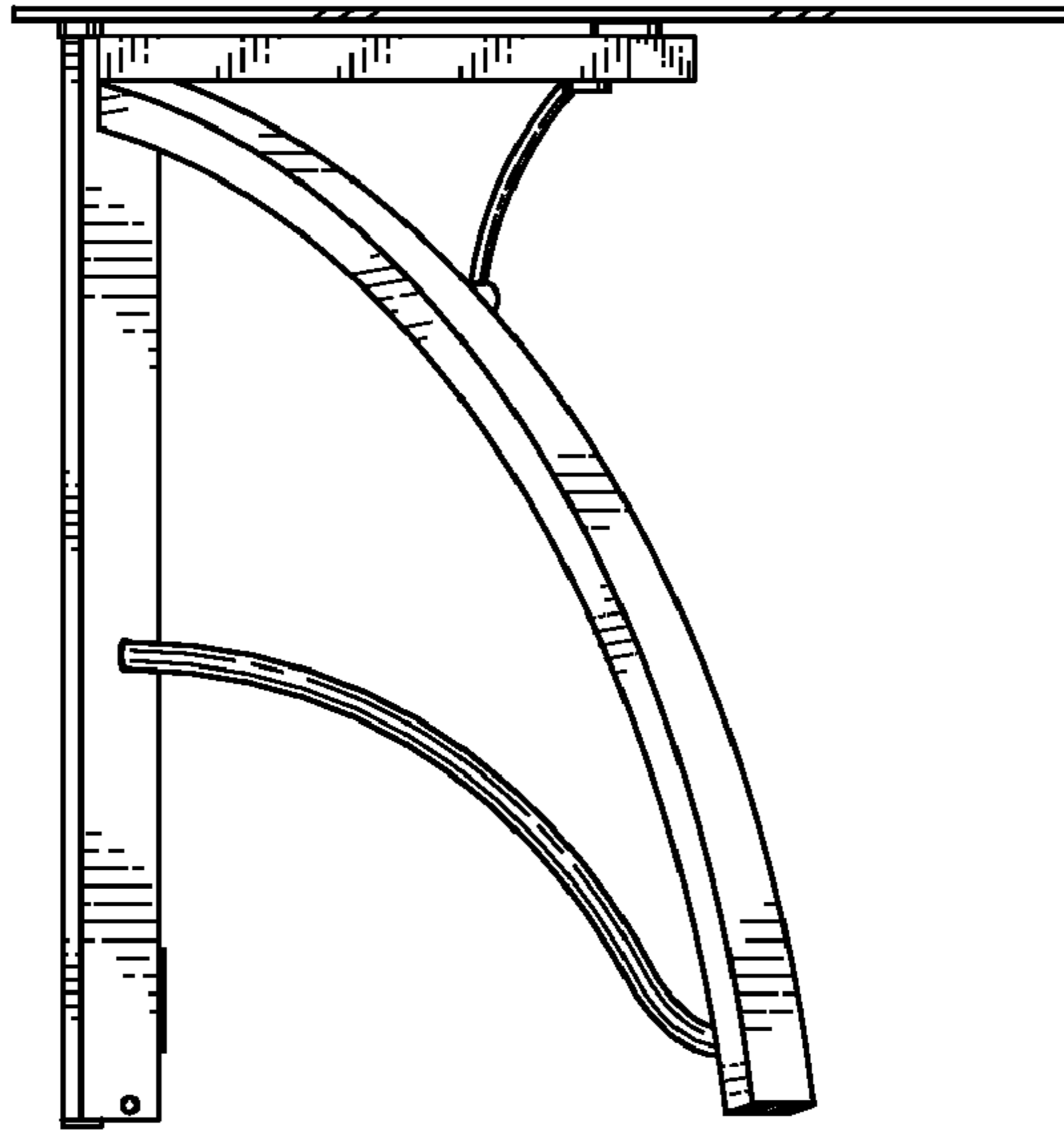


FIG. 4

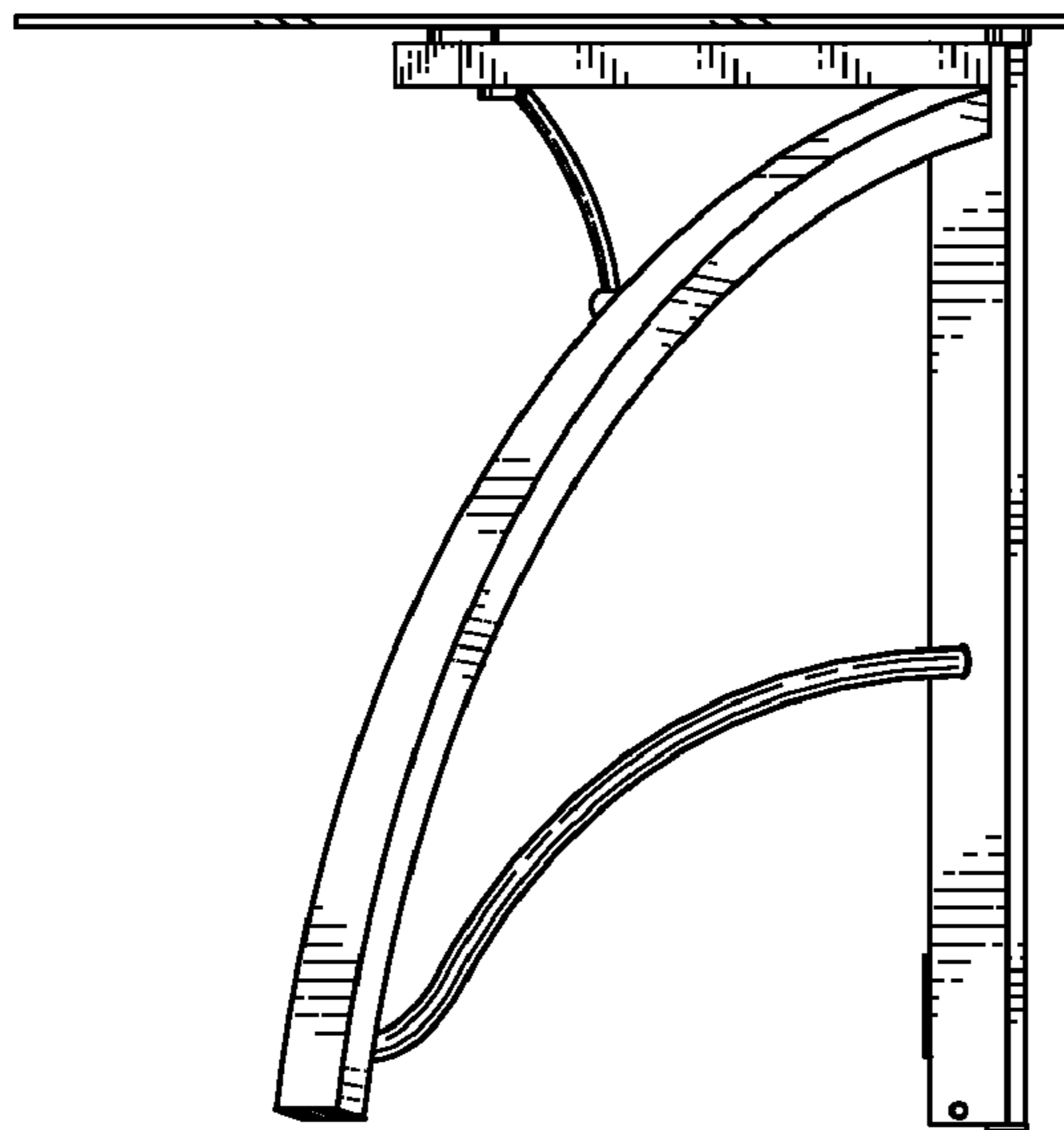


FIG. 5

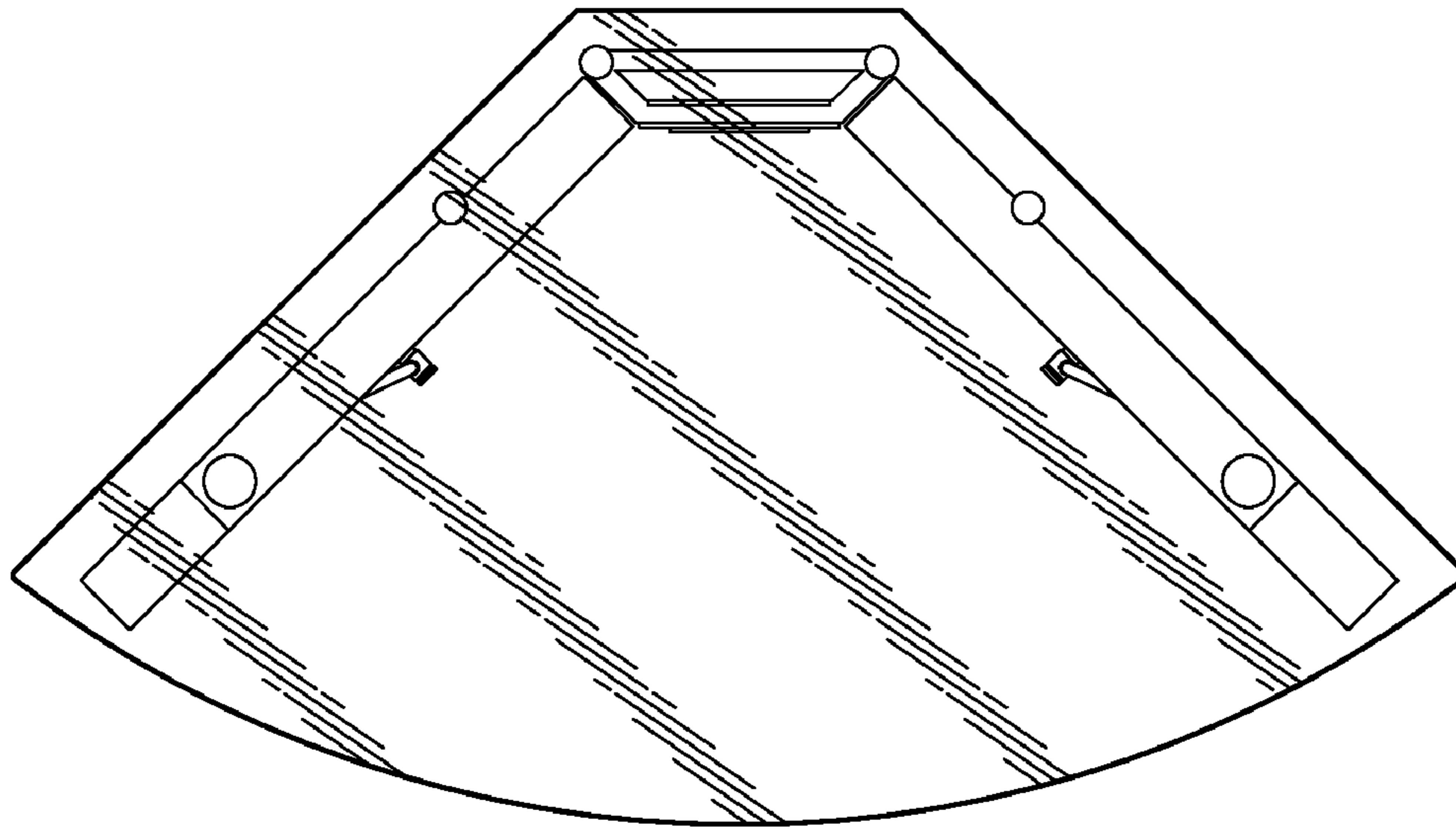


FIG. 6

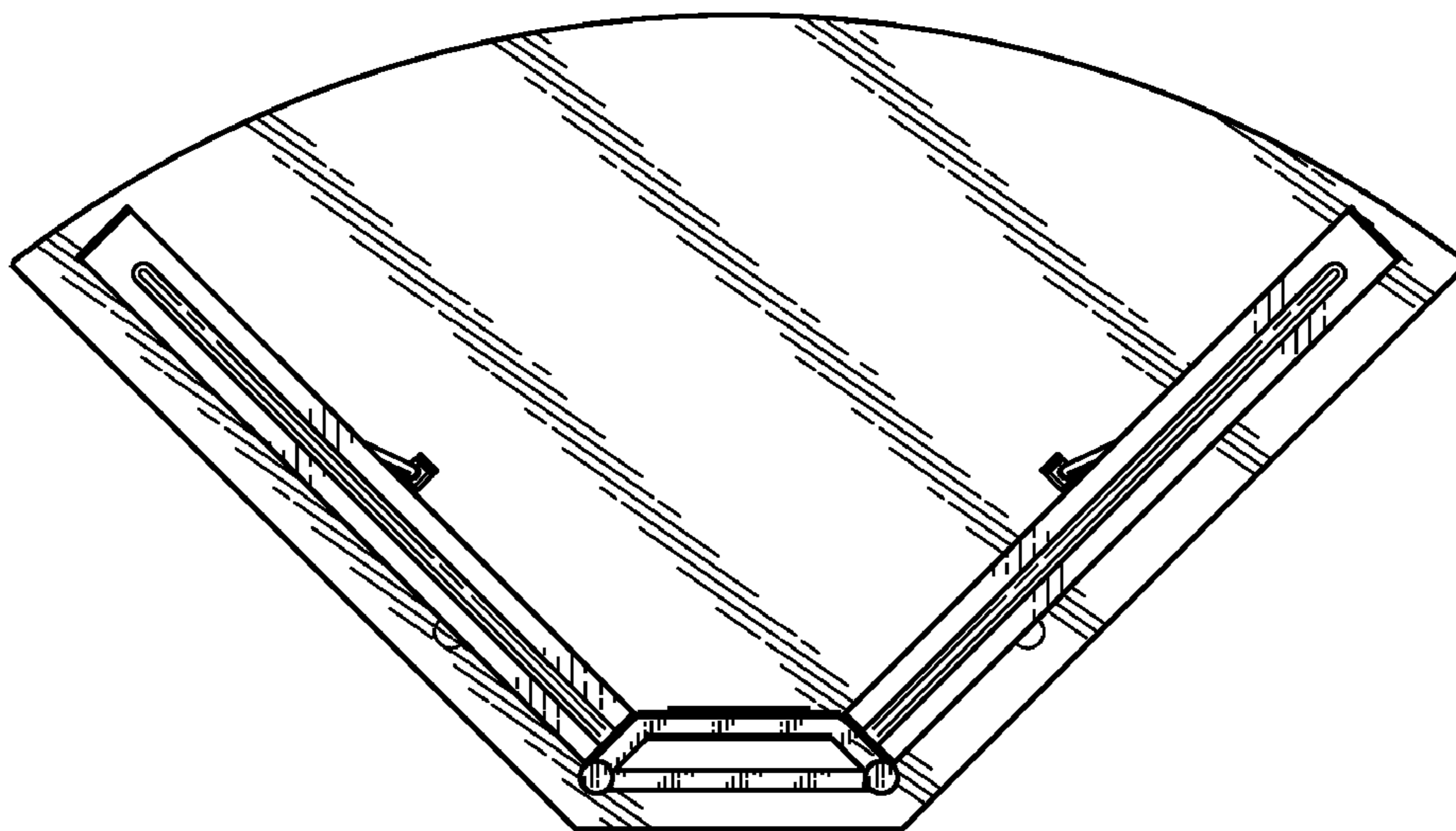


FIG. 7