



US00D580683S

(12) **United States Design Patent**
Thull

(10) **Patent No.:** **US D580,683 S**

(45) **Date of Patent:** **** Nov. 18, 2008**

(54) **TABLE**

D549,011 S * 8/2007 Thompson D6/486
D552,384 S * 10/2007 Thompson D6/498

(76) **Inventor:** **Anne Thull**, 2 Henry Adams St., San Francisco, CA (US) 94103

* cited by examiner

(**) **Term:** **14 Years**

Primary Examiner—Janice E Seeger

(21) **Appl. No.:** **29/302,356**

(57) **CLAIM**

(22) **Filed:** **Jan. 15, 2008**

The ornamental design for a table, as shown and described.

(51) **LOC (8) Cl.** **06-03**

DESCRIPTION

(52) **U.S. Cl.** **D6/480; D6/486**

FIG. 1 is a perspective view of a table showing the present invention;

(58) **Field of Classification Search** D6/480-489,
D6/495-499, 429-431, 511, 419, 420; 108/150,
108/153.1, 156, 157.1, 161; 248/188, 188.1,
248/188.8

FIG. 2 is a top plan view of the table;

FIG. 3 is a bottom plan view thereof;

FIG. 4 is a front plan view thereof;

FIG. 5 is a back plan view thereof;

See application file for complete search history.

FIG. 6 is a right side plan view thereof; and,

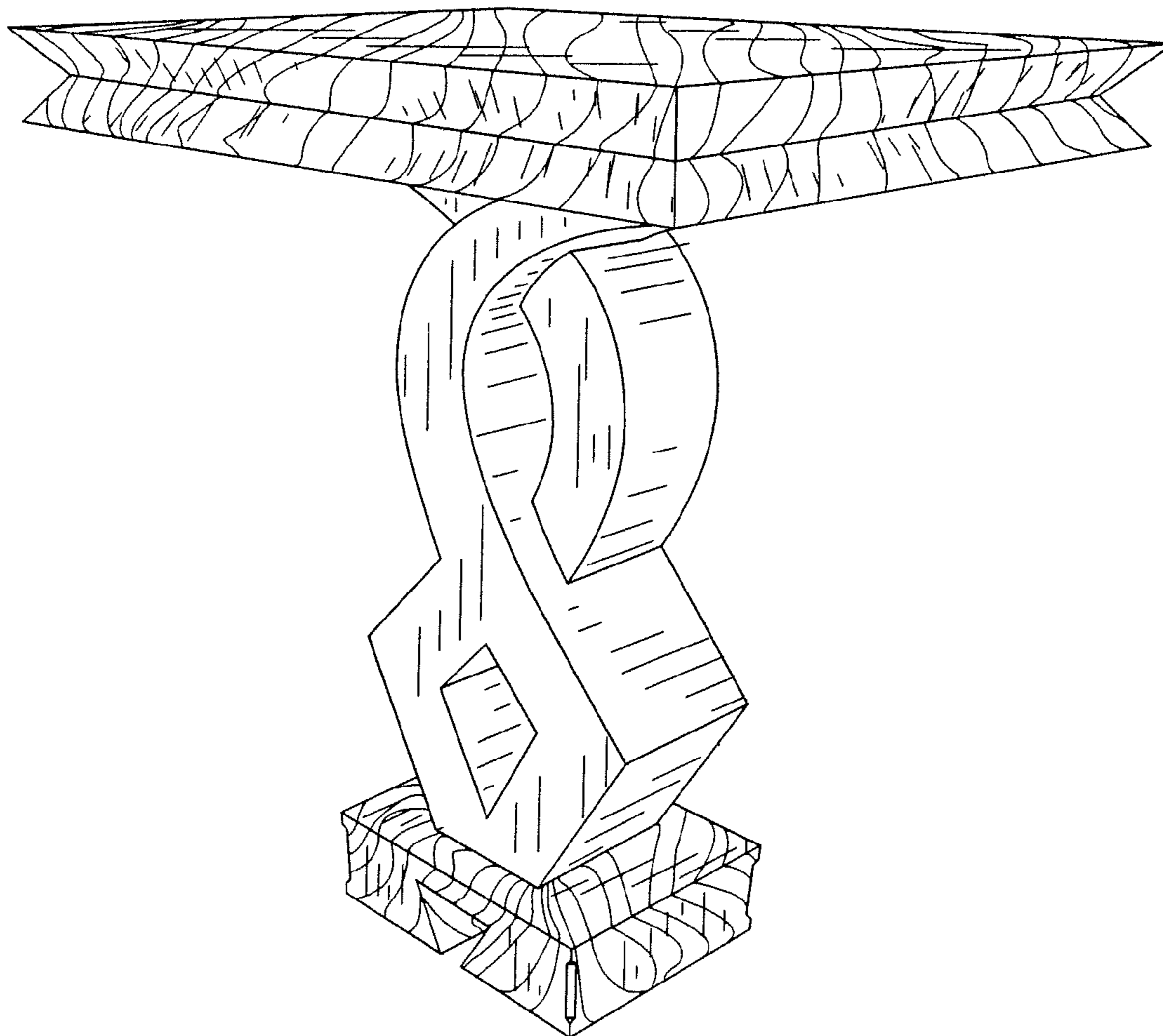
FIG. 7 is a left side plan view thereof.

(56) **References Cited**

U.S. PATENT DOCUMENTS

1,546,777 A * 7/1925 Deinhart 108/150
D372,382 S * 8/1996 Hutton D6/486

1 Claim, 4 Drawing Sheets



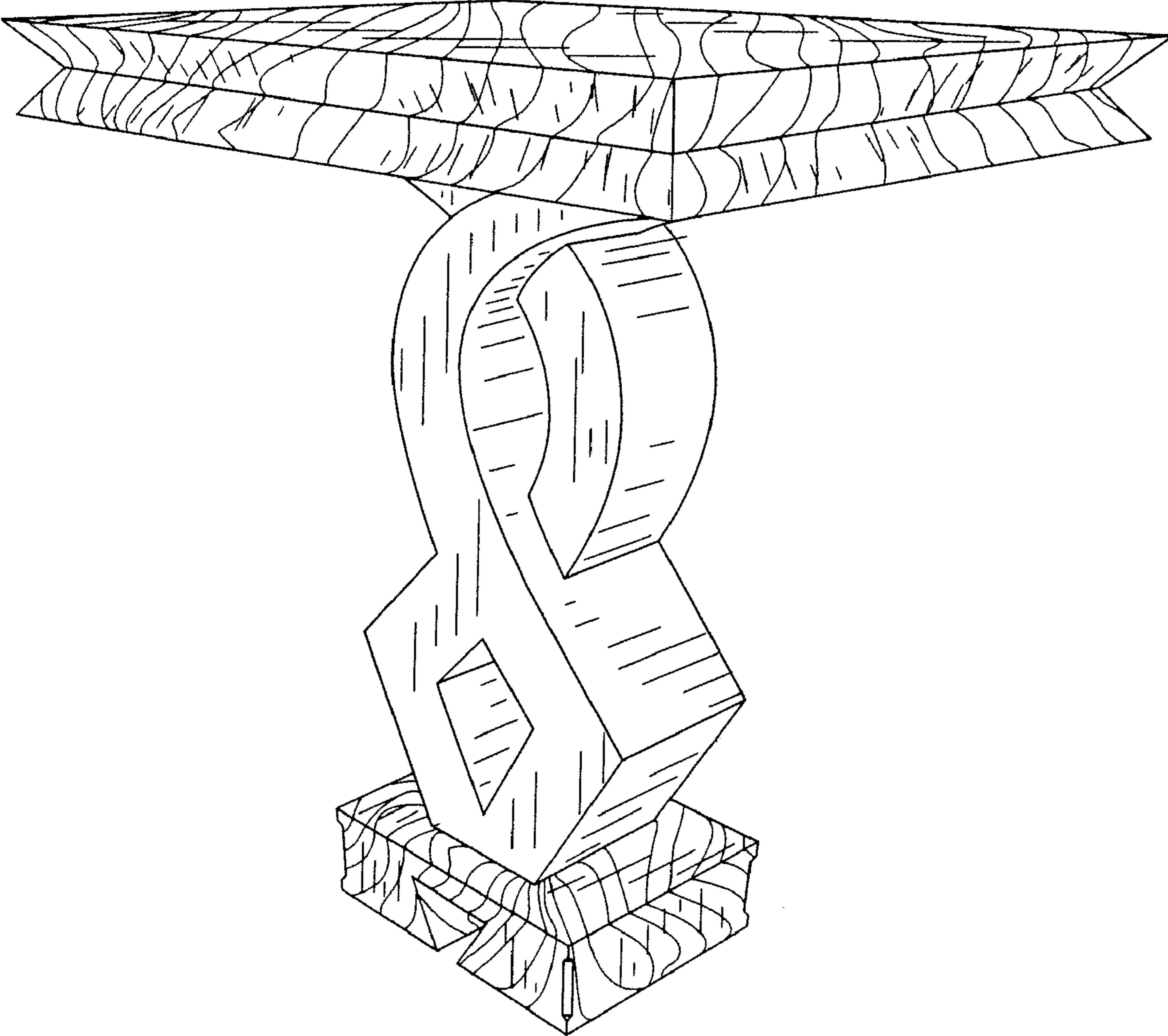


FIG. 1

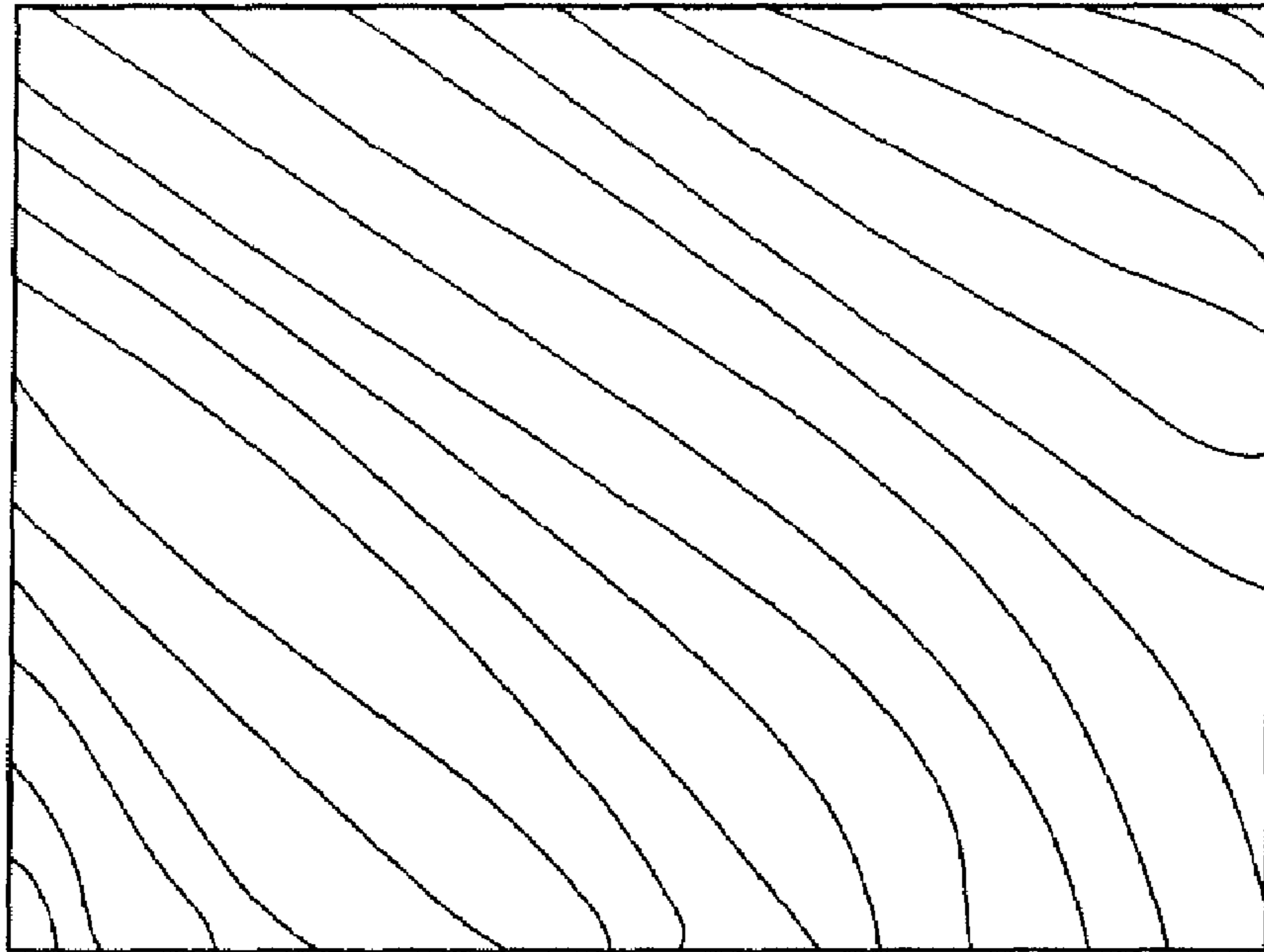


FIG. 2

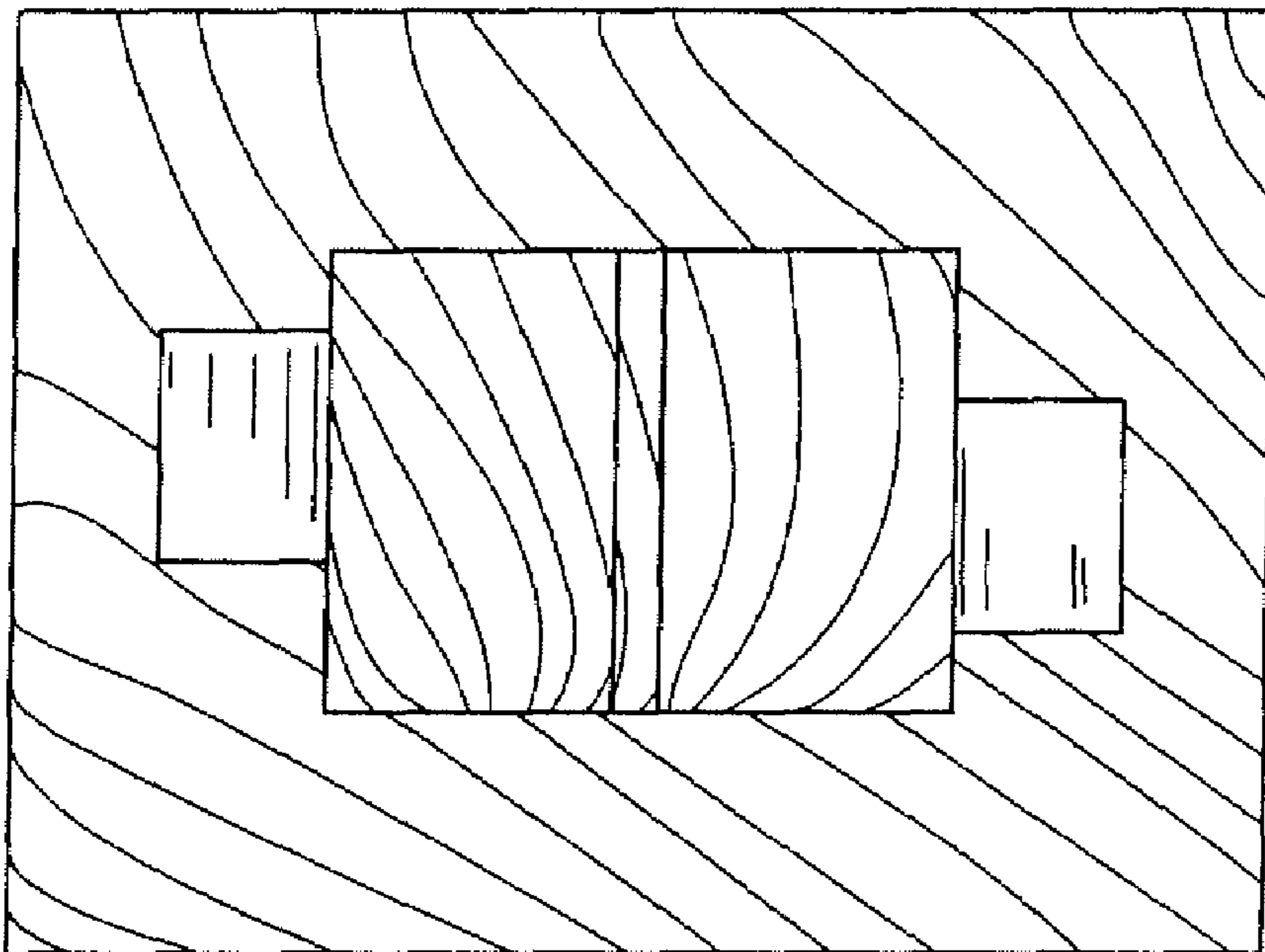


FIG. 3

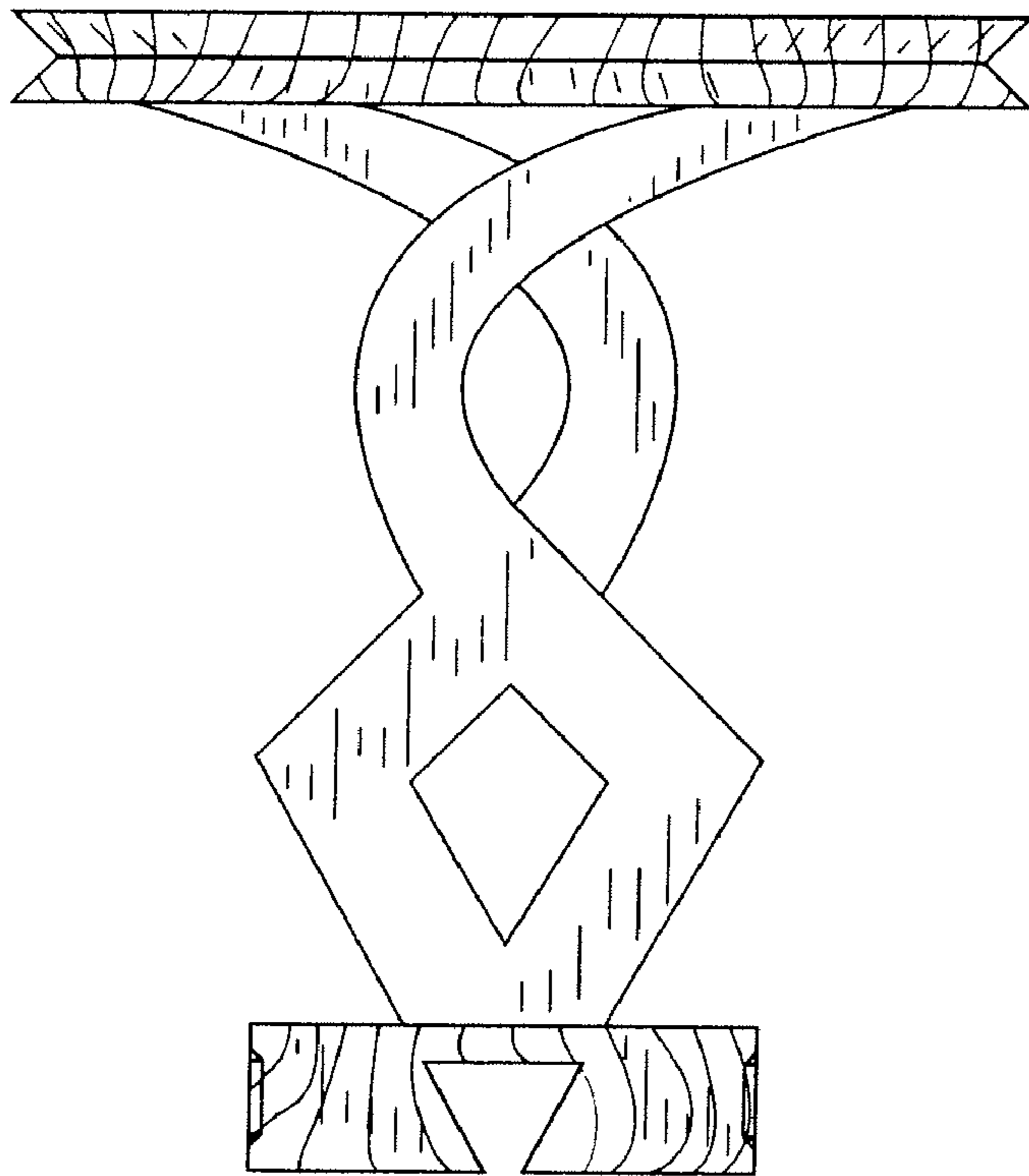


FIG. 4

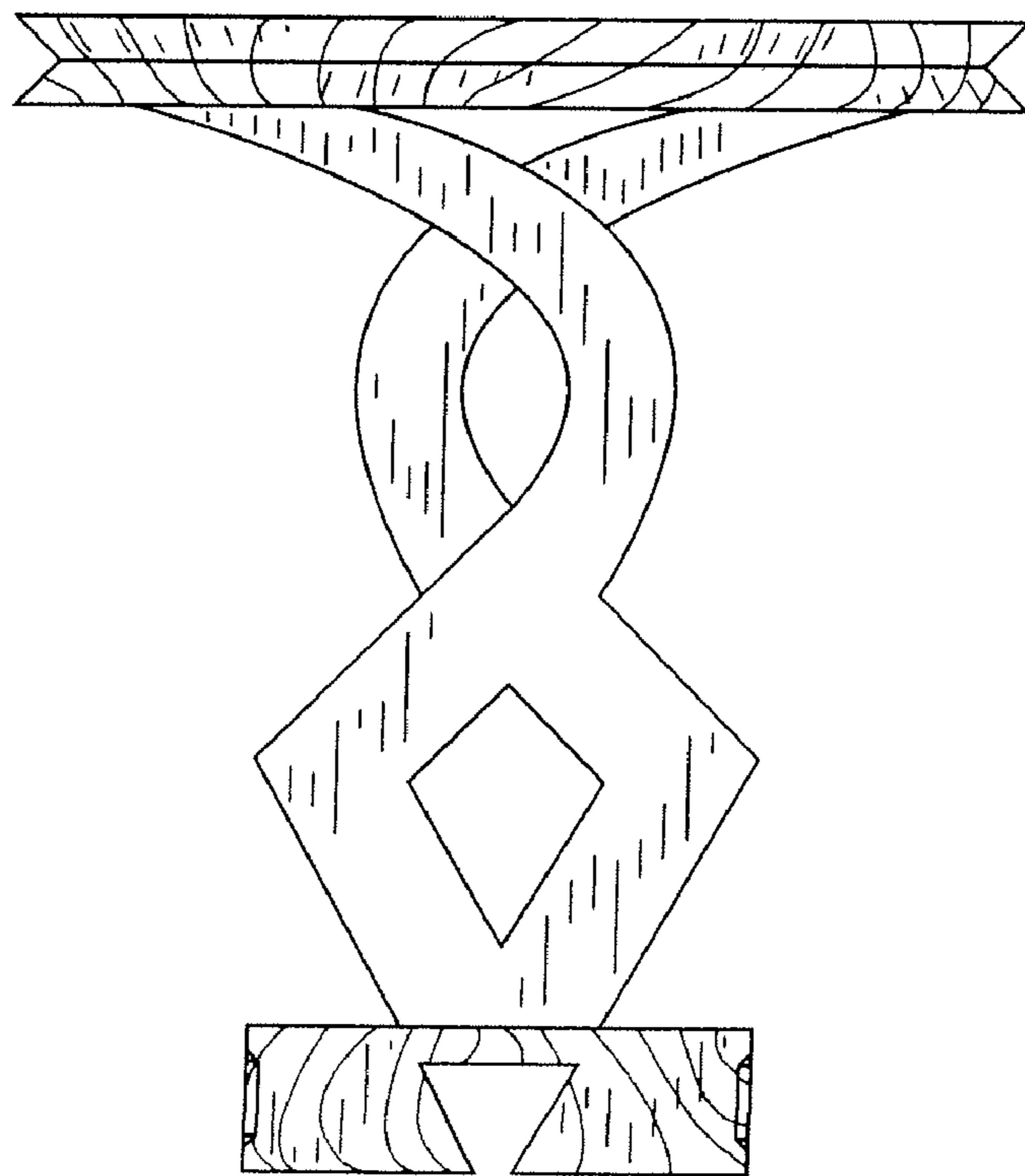


FIG. 5

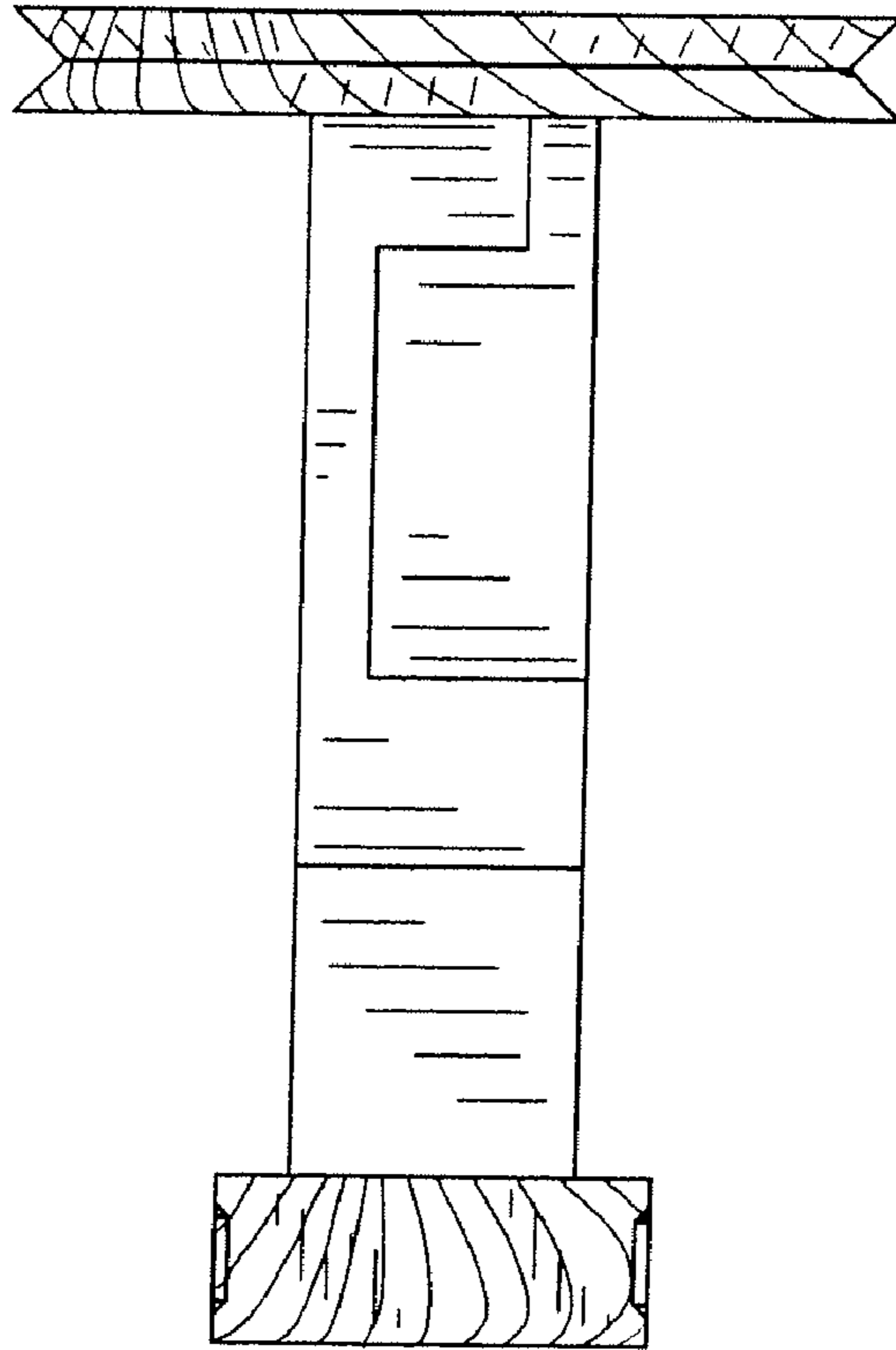


FIG. 6

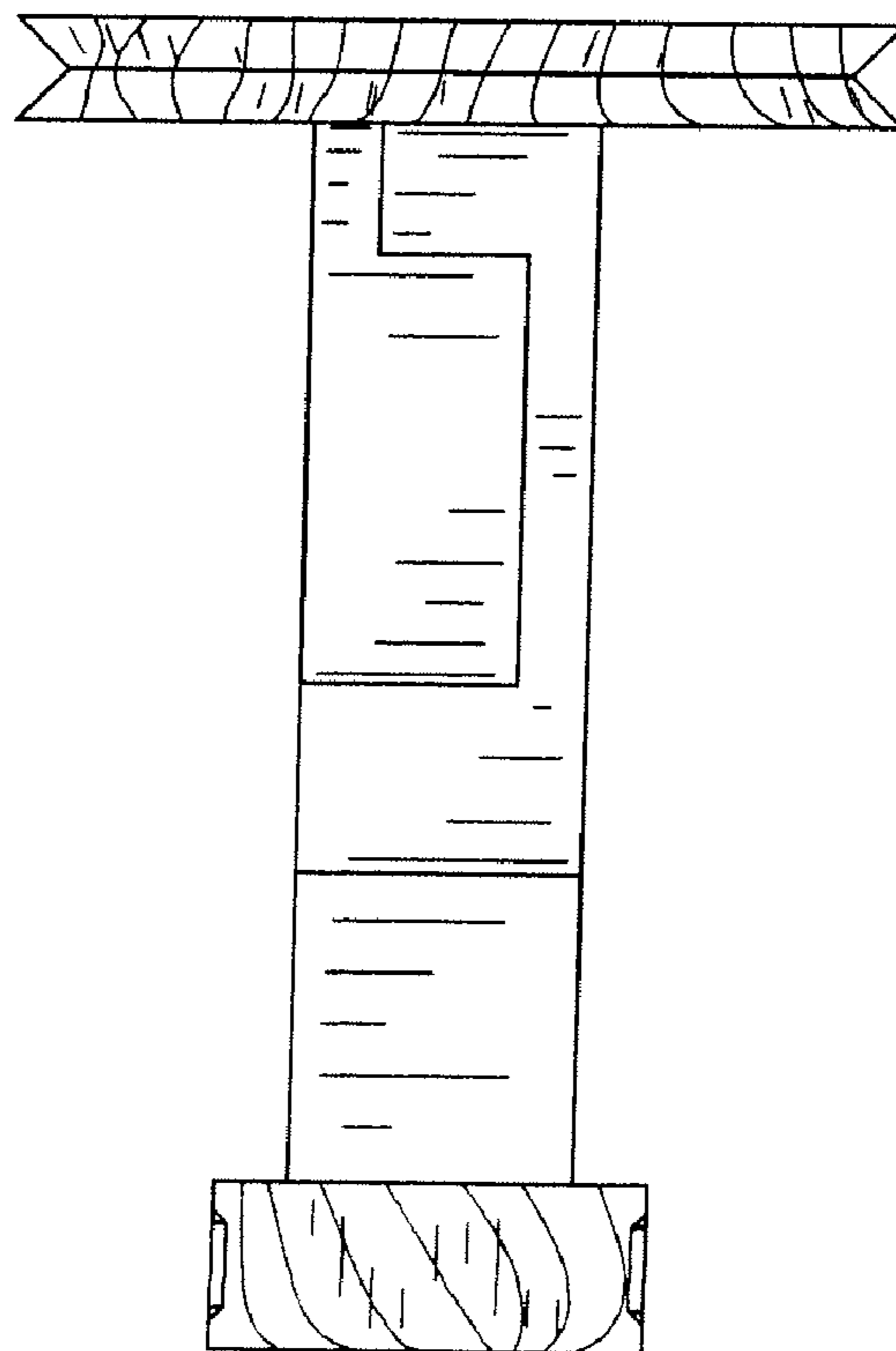


FIG. 7