



US00D580679S

(12) **United States Design Patent**
Broel

(10) **Patent No.:** **US D580,679 S**

(45) **Date of Patent:** **** Nov. 18, 2008**

(54) **FLOWER HOLDER**

(76) Inventor: **David J. Broel**, P.O. Box 70934,
Marietta, GA (US) 30007

(**) Term: **14 Years**

(21) Appl. No.: **29/291,351**

(22) Filed: **Aug. 27, 2007**

(51) **LOC (8) Cl.** **11-02**

(52) **U.S. Cl.** **D6/405**

(58) **Field of Classification Search** D6/403-405,
D6/556-558; D11/143, 144, 146-149, 152;
D25/100; 47/33, 39, 41.01, 41.1, 41.12-41.14,
47/43-47, 65.5, 70; 238/27.8

See application file for complete search history.

(56) **References Cited**

U.S. PATENT DOCUMENTS

1,226,101	A *	5/1917	Marsden	47/41.01
1,730,285	A *	10/1929	Nichols et al.	47/47
3,451,657	A *	6/1969	Roberts	47/47
4,048,752	A *	9/1977	Anderson	47/47
D357,209	S *	4/1995	Dukas et al.	D11/143
D446,156	S *	8/2001	Davenport	D11/153
D490,746	S *	6/2004	Broel	D11/146
D502,889	S *	3/2005	Broel	D11/143
7,165,356	B1 *	1/2007	Broel	47/41.01
7,310,909	B2 *	12/2007	Broel et al.	47/41.1

2006/0196113 A1* 9/2006 Broel et al. 47/41.01

* cited by examiner

Primary Examiner—Caron D. Veynar

Assistant Examiner—Garth Rademaker

(74) *Attorney, Agent, or Firm*—Rodgers & Rodgers

(57) **CLAIM**

The ornamental design for a flower holder, as shown and described.

DESCRIPTION

FIG. 1 is a perspective view of a flower holder showing my new design;

FIG. 2 is a top plan view thereof;

FIG. 3 is a bottom plan view thereof;

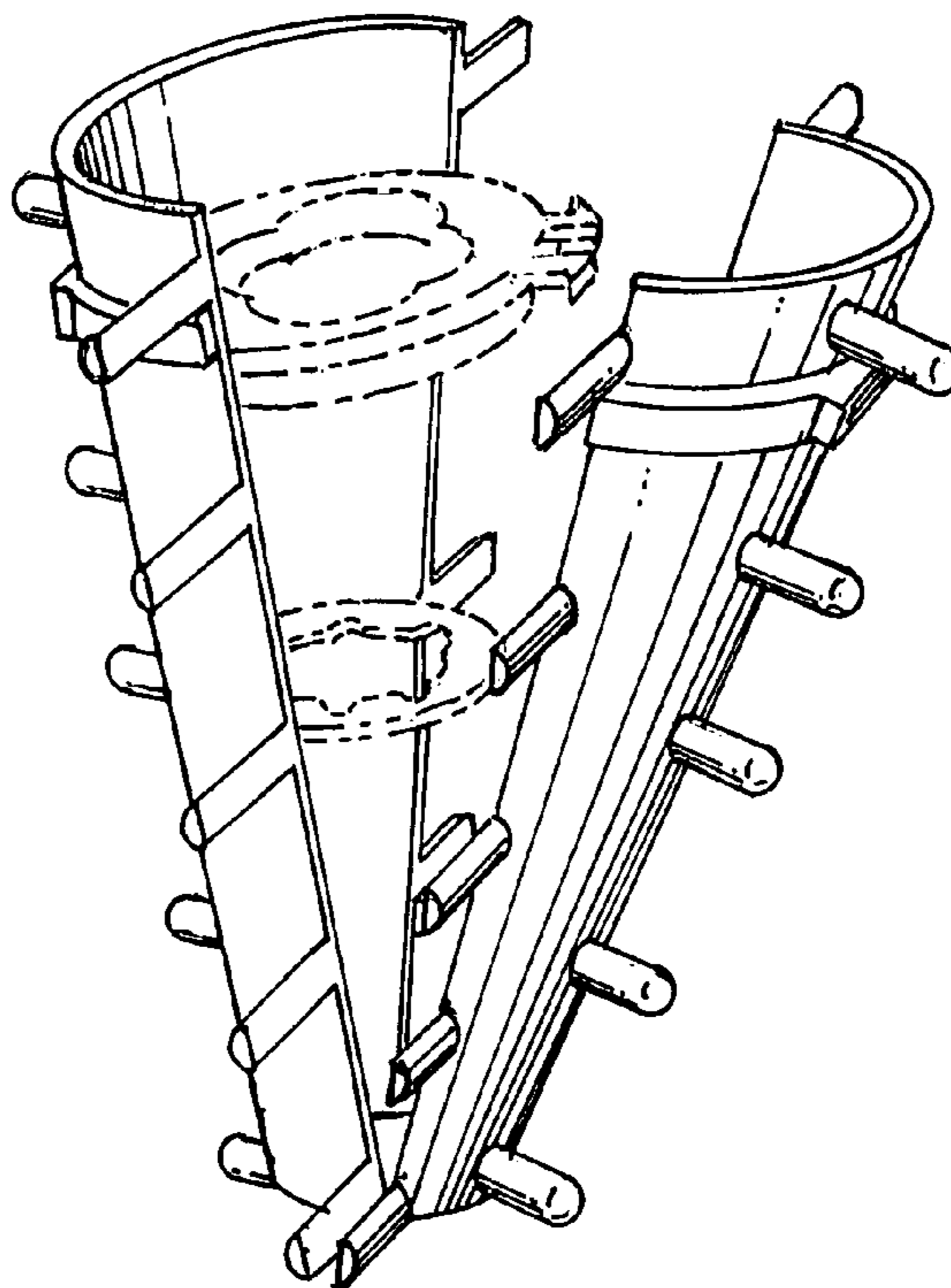
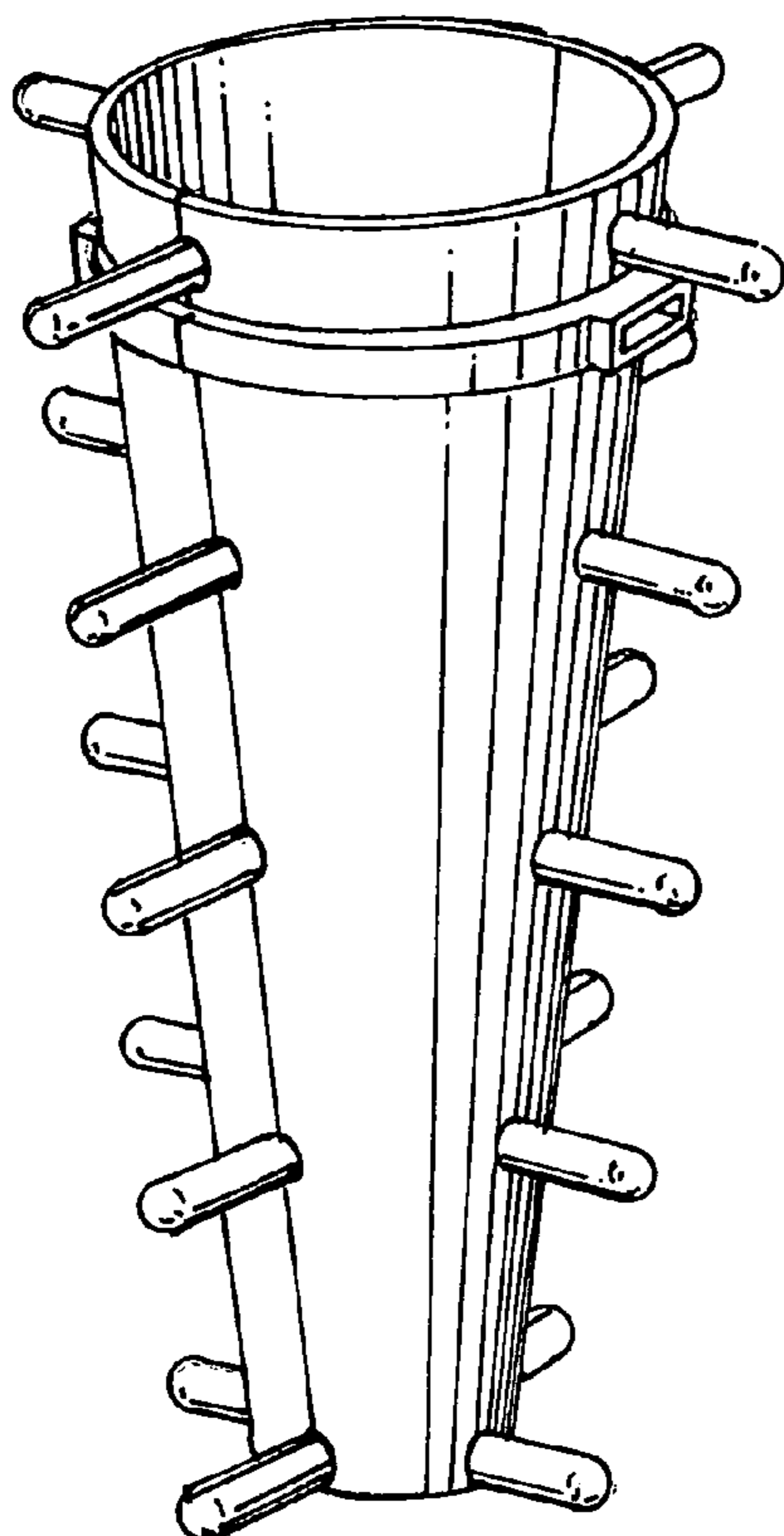
FIG. 4 is a left-side elevational view thereof, the right side being the same in appearance;

FIG. 5 is front elevational view thereof, the rear being the same in appearance; and,

FIG. 6 is a perspective view of the flower holder partially closed with the interior flower retaining discs shown in dotted lines.

The broken lines in FIGS. 2 and 6 depict environmental subject matter only and form no part of the claimed design.

1 Claim, 2 Drawing Sheets



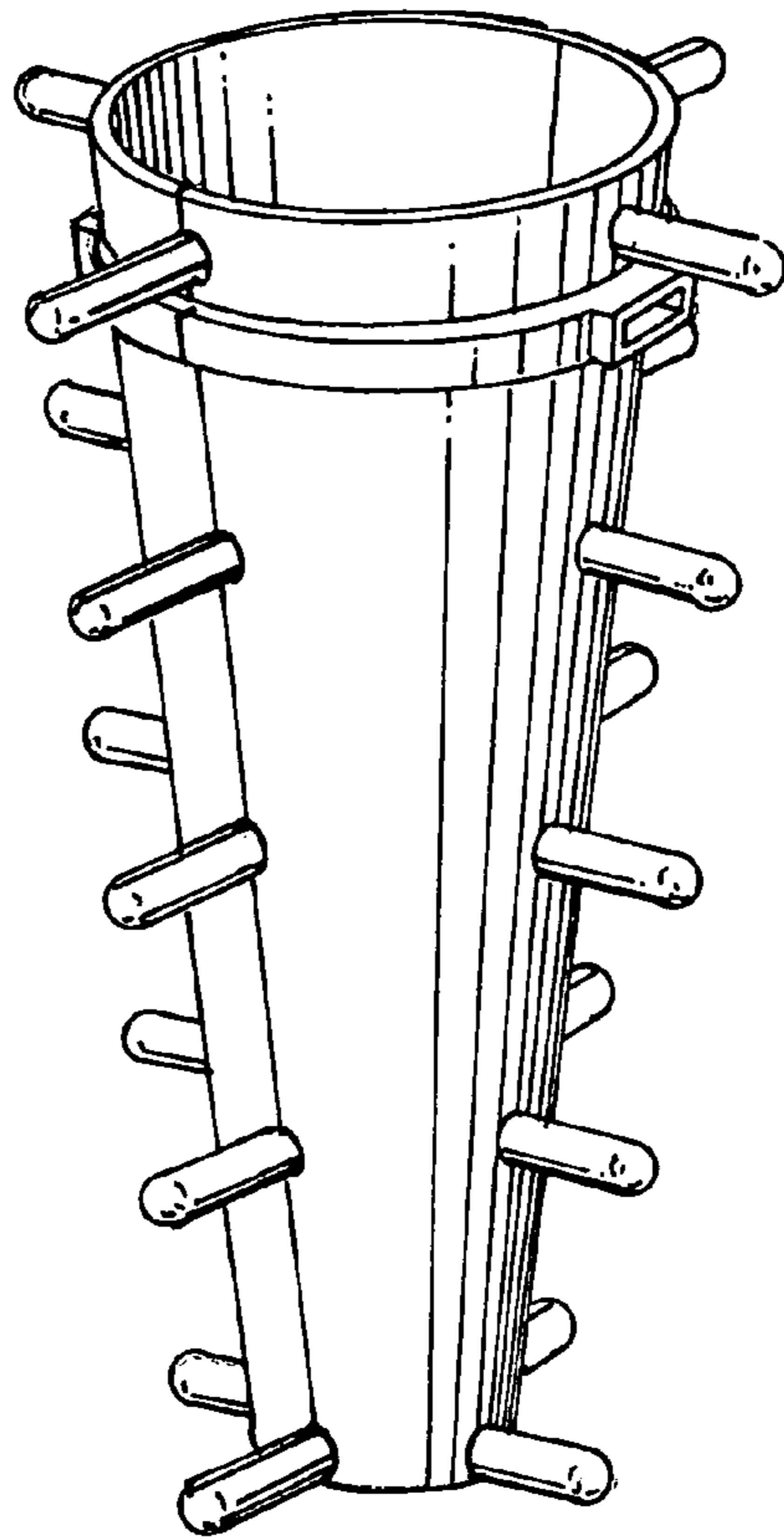


FIG. 1

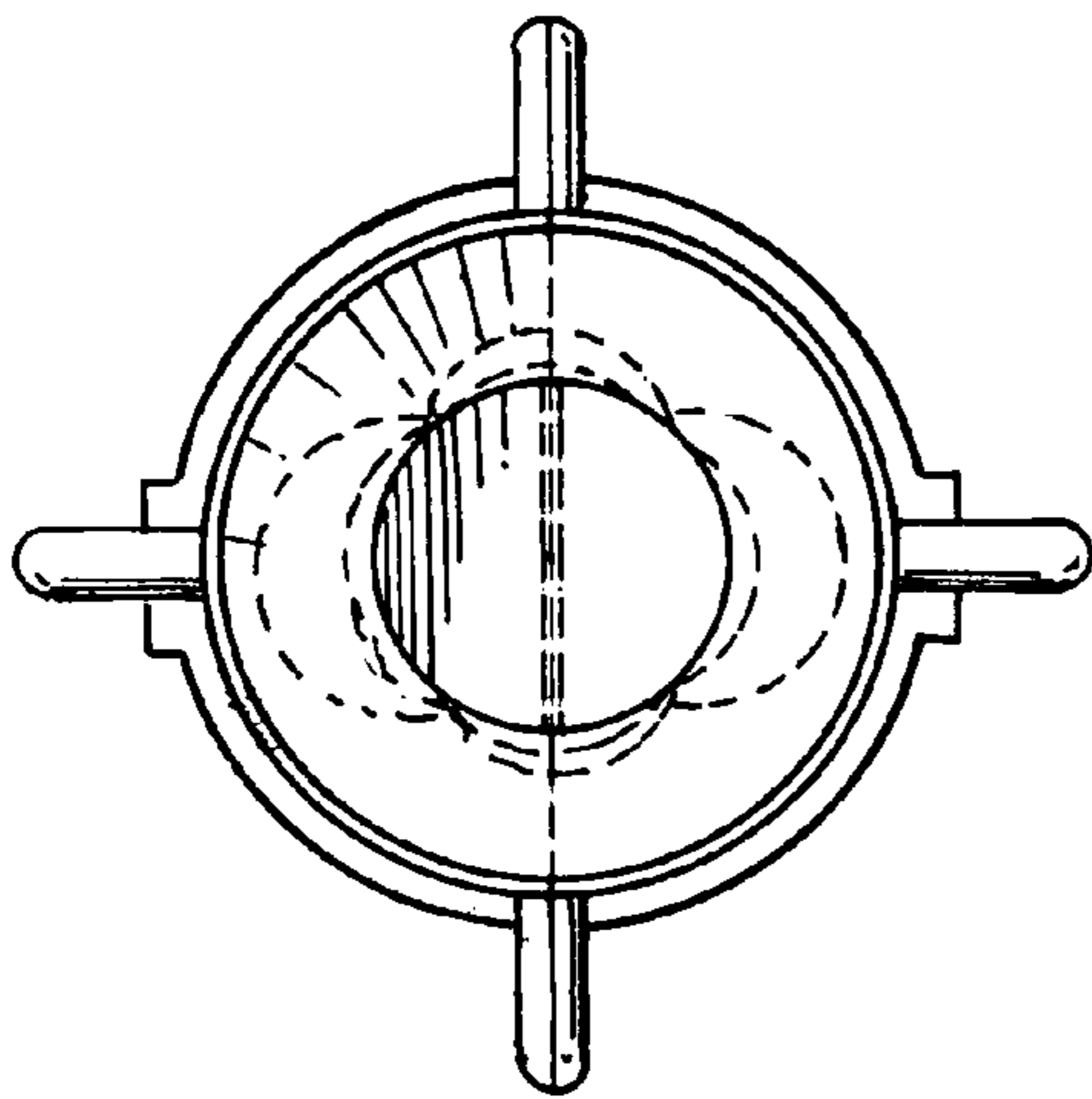


FIG. 2

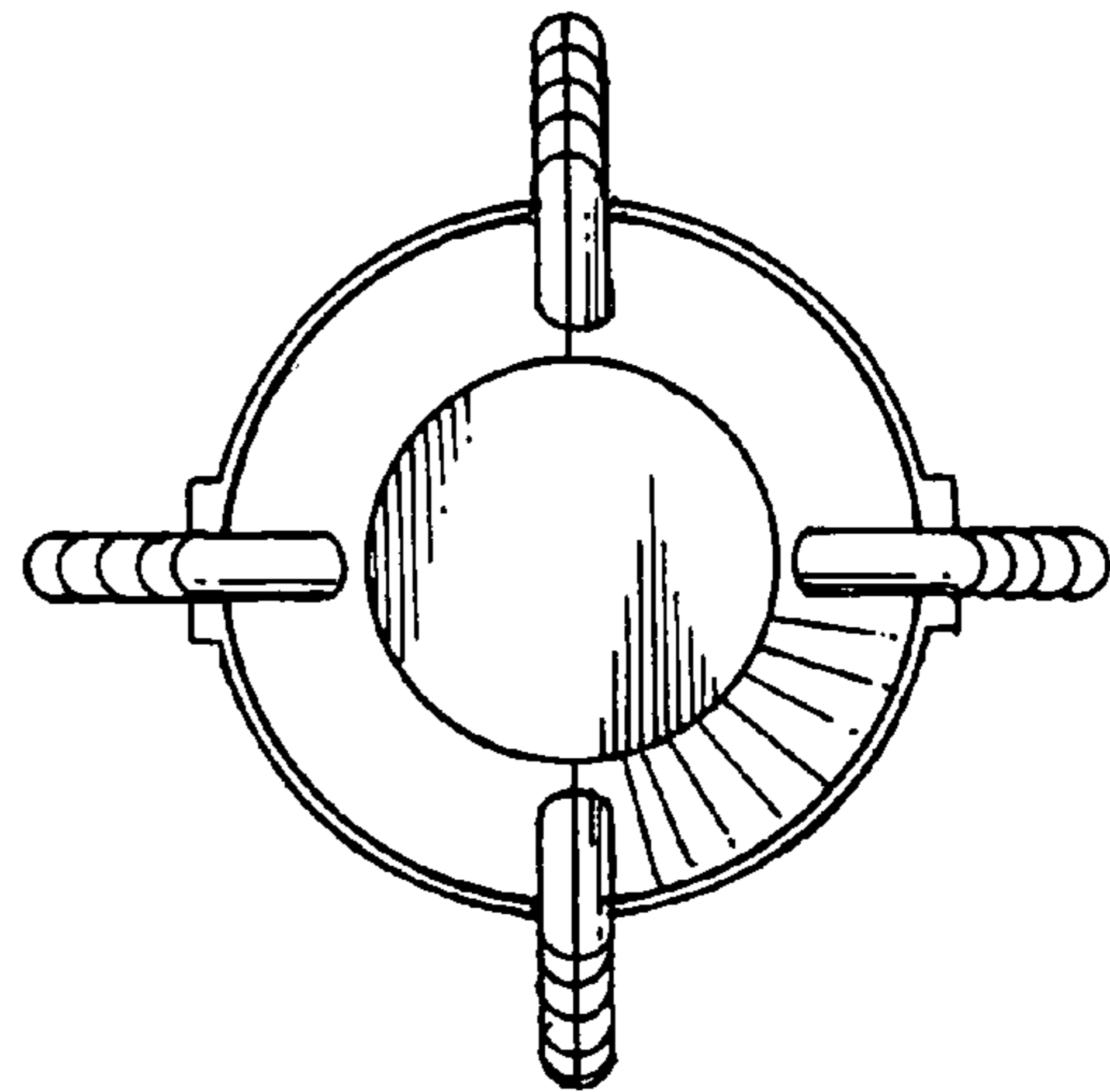


FIG. 3

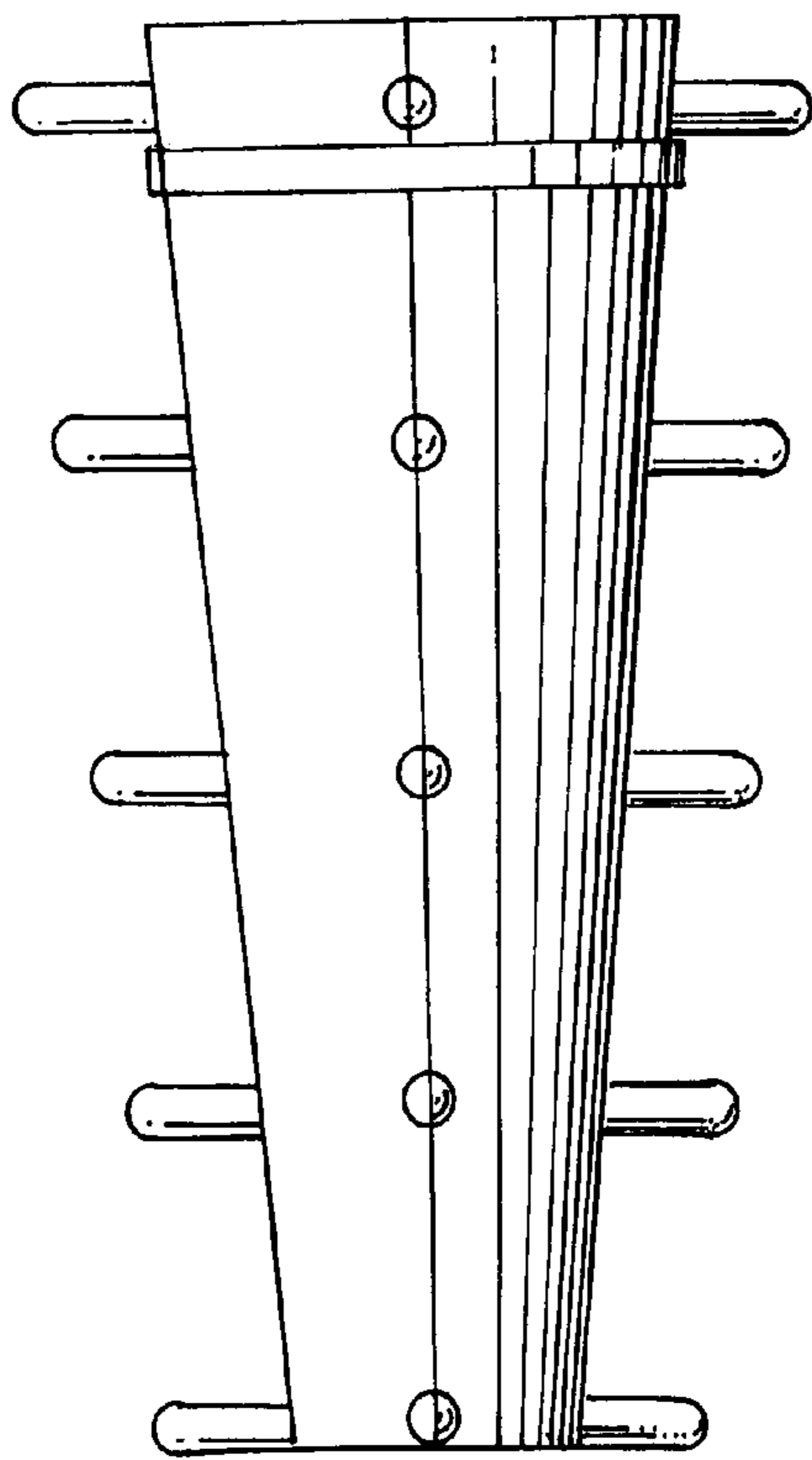


FIG. 4

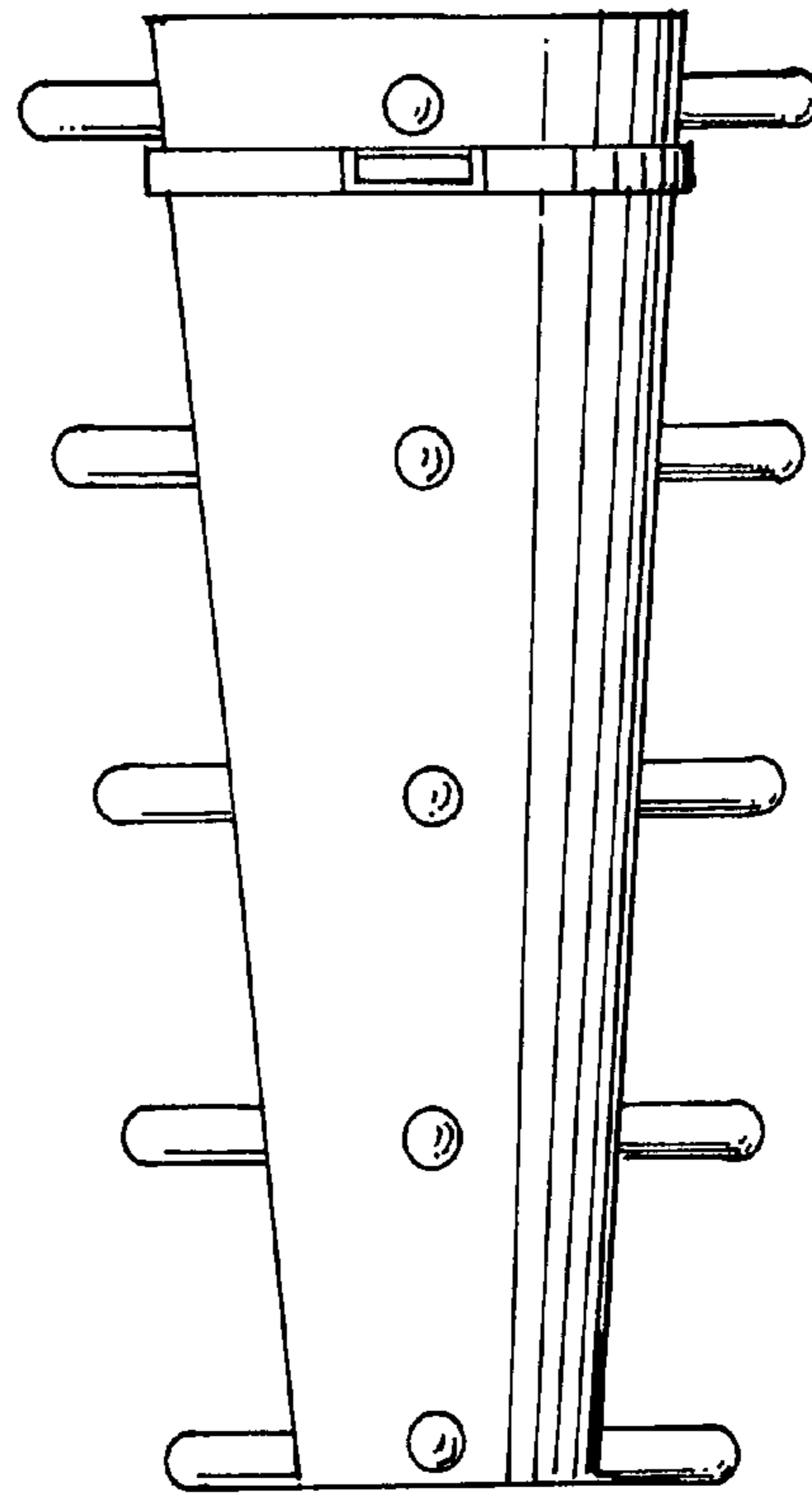


FIG. 5

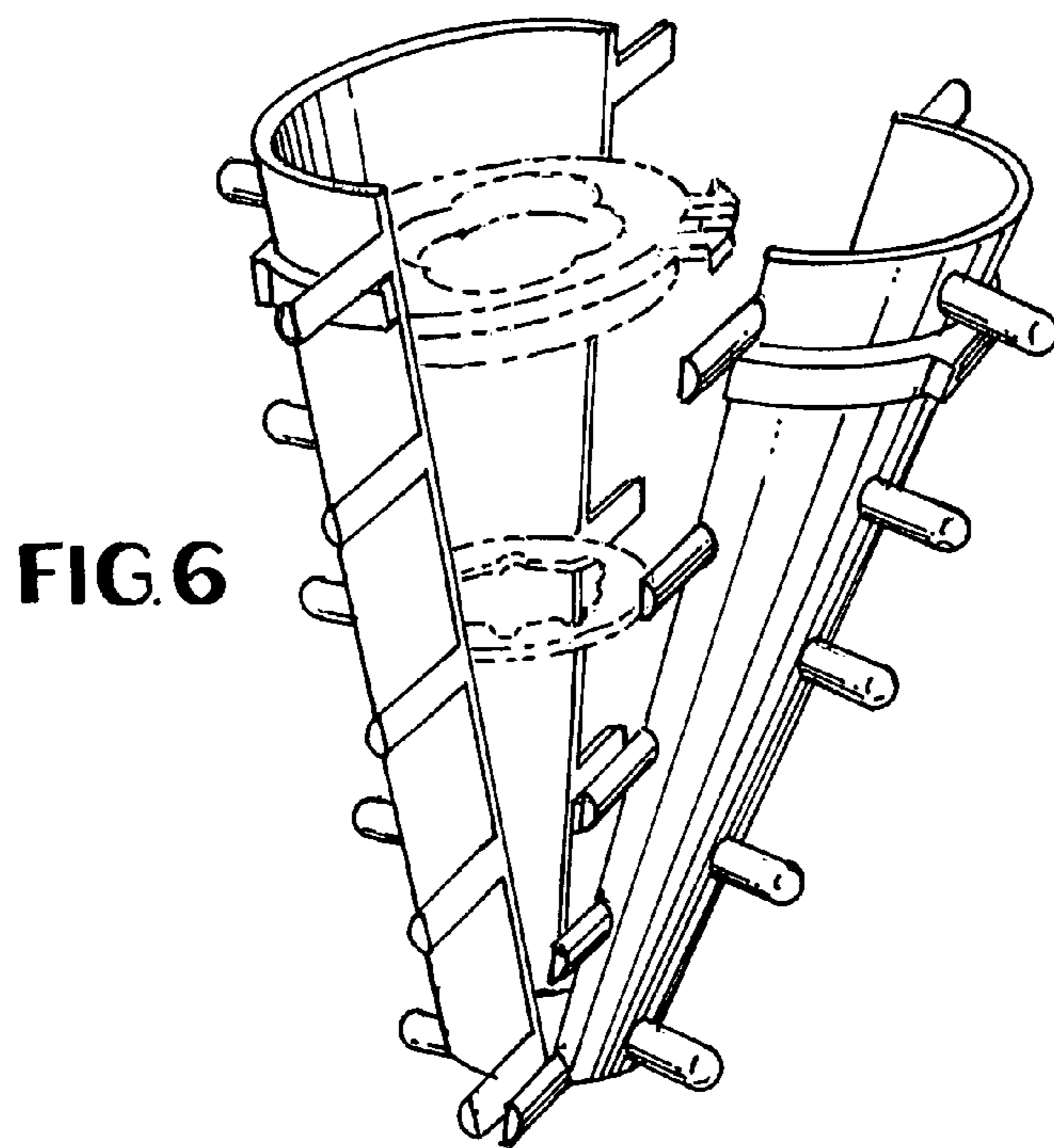


FIG. 6