



US00D580678S

(12) **United States Design Patent**
Ruffing et al.

(10) **Patent No.:** **US D580,678 S**

(45) **Date of Patent:** **** Nov. 18, 2008**

(54) **FOOD MERCHANDISER**

(75) Inventors: **Katherine J. Ruffing**, Evanston, IL
(US); **Julie A. Pedretti**, Middleton, WI
(US); **Douglas A. Redmond**, Middleton,
WI (US); **Suzy X. Zeng**, Northfield, IL
(US)

(73) Assignee: **Kraft Foods Global Brands LLC**,
Northfield, IL (US)

(**) Term: **14 Years**

(21) Appl. No.: **29/233,865**

(22) Filed: **Jul. 12, 2005**

(51) **LOC (8) Cl.** **06-04**

(52) **U.S. Cl.** **D6/396**

(58) **Field of Classification Search** D6/396,
D6/436, 460, 470, 474, 499, 397, 471, 475,
D6/466, 439, 432, 441; D7/339-348, 351,
D7/305; D15/79-886; 312/114, 116, 128,
312/236, 237; 126/299 R; D14/133, 307,
D14/451; 700/237; D19/59; 463/11

See application file for complete search history.

(56) **References Cited**

U.S. PATENT DOCUMENTS

D188,154 S *	6/1960	Frick	D7/305
D191,024 S	8/1961	Buday		
3,381,605 A	5/1968	Smith		
3,534,676 A	10/1970	Rubino		
3,887,786 A	6/1975	Witt et al.		
4,004,712 A	1/1977	Pond		
D248,885 S	8/1978	Pogue		
T973,013 I4	8/1978	Ferrara et al.		
D280,747 S	9/1985	Stasney		
4,592,485 A	6/1986	Anderson et al.		
D293,120 S	12/1987	De Prins		
4,783,582 A	11/1988	Wada et al.		

4,804,185 A *	2/1989	Noble et al.	463/11
4,880,954 A	11/1989	Bennett et al.		
D328,742 S *	8/1992	Kennedy	D14/133
D338,492 S *	8/1993	McNall et al.	D19/59
D361,095 S	8/1995	O'Donnell		
D373,775 S *	9/1996	Andrade	D15/86
5,572,984 A *	11/1996	Alden et al.	126/299 R
5,573,082 A	11/1996	Conlan et al.		
5,582,758 A	12/1996	Smith et al.		
D381,749 S	7/1997	Lawrence		
D402,820 S	12/1998	Morison et al.		
6,078,848 A *	6/2000	Bernstein et al.	700/237
D438,403 S	3/2001	Greenburg		

(Continued)

FOREIGN PATENT DOCUMENTS

EP 1219213 A1 * 7/2002

Primary Examiner—Caron D. Veynar
Assistant Examiner—Sydney R Buffalow

(74) *Attorney, Agent, or Firm*—Fitch, Even, Tabin &
Flannery

(57) **CLAIM**

The ornamental design for a food merchandiser, as shown and described.

DESCRIPTION

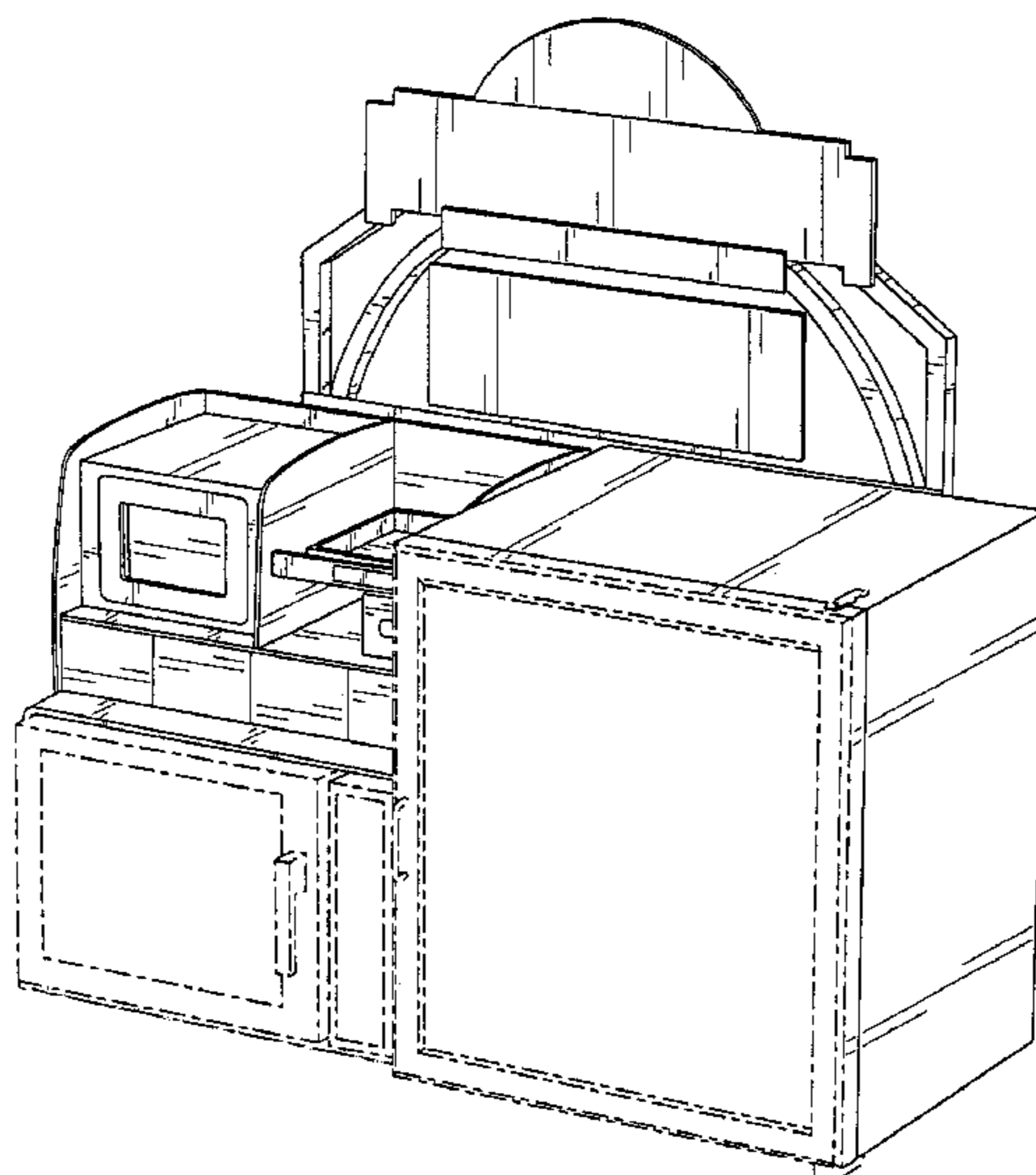
FIG. 1 is a right-front perspective view of a food merchandiser showing our new design; and,

FIG. 2 is front elevational view thereof.

The surfaces or portions of the food merchandiser not shown in the drawings or described in the specification form no part of the claimed design.

The broken lines showing of a microwave oven on the lower left, and a handled, hinged freezer door and support legs on the lower right, are for illustrative purposes only and form no part of the claimed design.

1 Claim, 2 Drawing Sheets



US D580,678 S

Page 2

U.S. PATENT DOCUMENTS

6,431,628	B1	8/2002	Bell, Jr.			
D462,776	S *	9/2002	Bain et al.	D14/307		
D467,561	S *	12/2002	Kosciolek	D14/451		
D488,666	S *	4/2004	Mobley et al.	D7/339		
D493,452	S	7/2004	Devane et al.			
6,777,654	B1	8/2004	Greenburg			
D501,557	S	2/2005	Collins et al.			
D502,222	S	2/2005	Richardson et al.			
D505,802	S *	6/2005	Greenburg	D6/396		
D526,511	S *	8/2006	Cravens et al.	D6/470		
7,098,942	B1	8/2006	Nihei			
D542,052	S *	5/2007	Scholen et al.	D6/396		
D559,007	S	1/2008	Ruffing et al.			
2004/0206752	A1	10/2004	Greenburg			

* cited by examiner

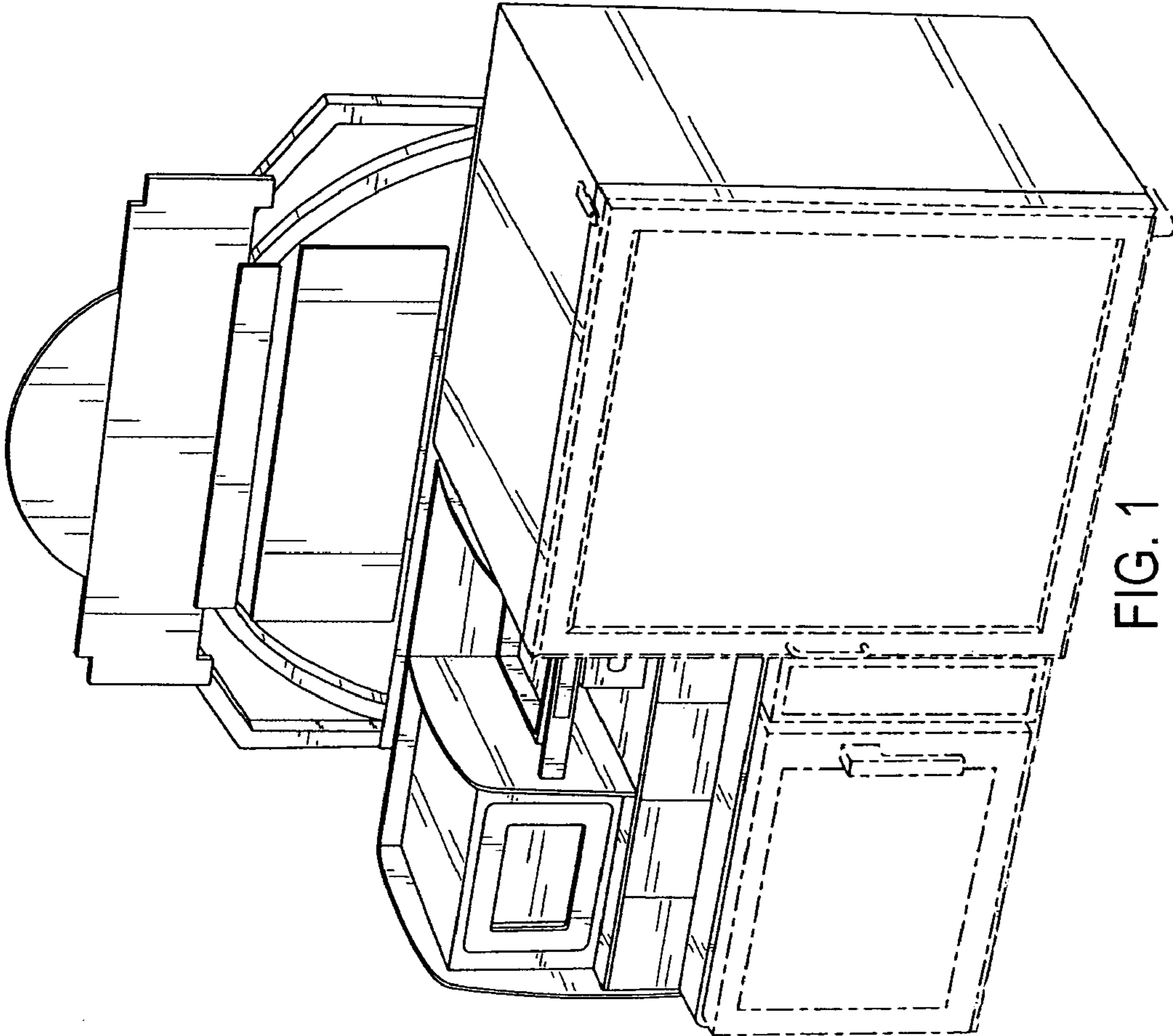


FIG. 1

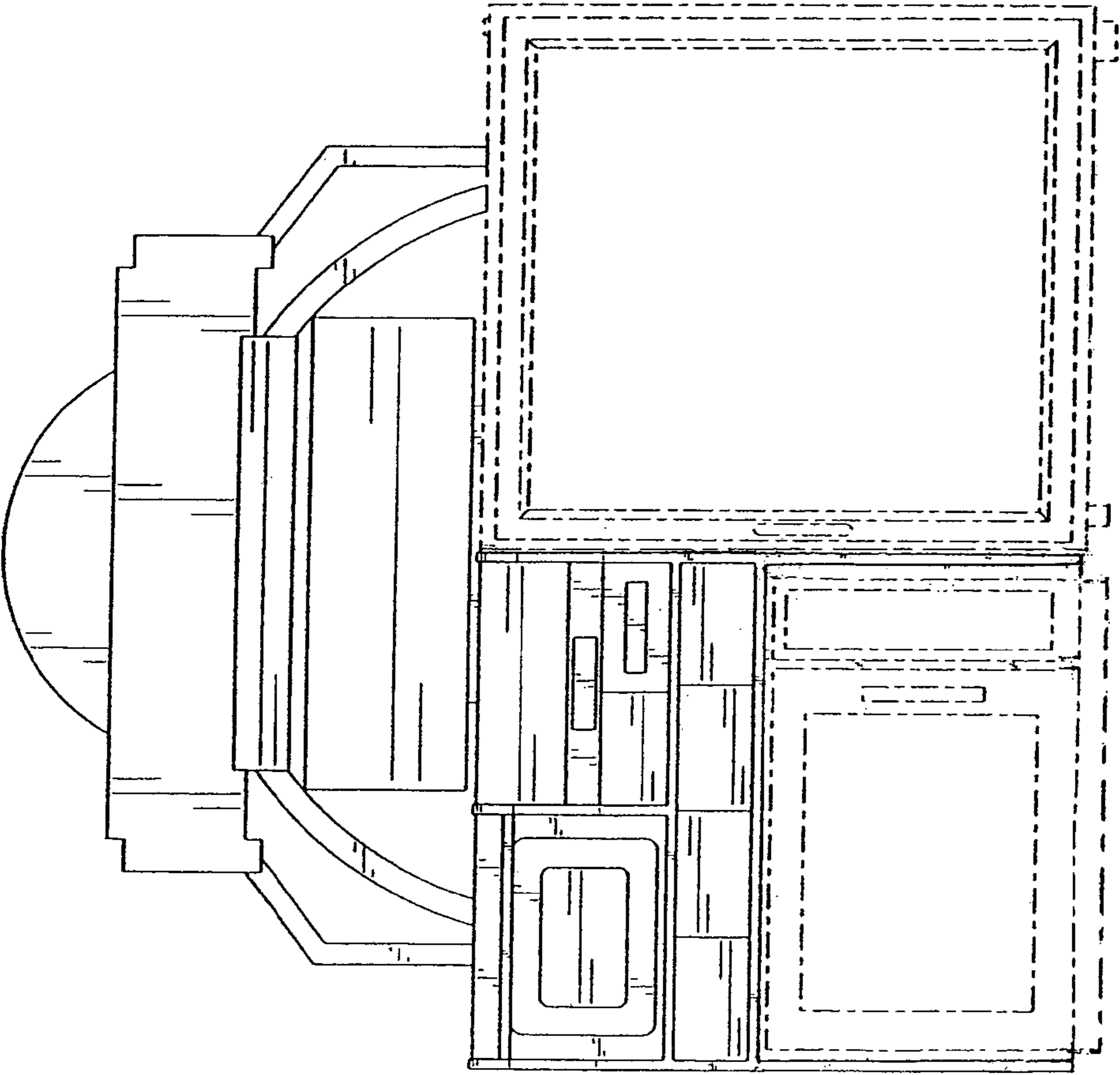


FIG. 2