



US00D580677S

(12) **United States Design Patent**
Kleene et al.

(10) **Patent No.:** **US D580,677 S**

(45) **Date of Patent:** **** Nov. 18, 2008**

(54) **FURNITURE**

(75) Inventors: **Alfred Kleene**, Stuttgart (DE); **Gabriele Assmann**, Stuttgart (DE)

(73) Assignee: **COR Sitzmoebel Helmut Luebke GmbH & Co. KG**, Rheda-Wiedenbrueck (DE)

(**) Term: **14 Years**

(21) Appl. No.: **29/296,510**

(22) Filed: **Oct. 23, 2007**

(30) **Foreign Application Priority Data**

Apr. 23, 2007 (EM) 000711494-0002

(51) **LOC (8) Cl.** **06-01**

(52) **U.S. Cl.** **D6/381**

(58) **Field of Classification Search** D6/334, D6/335, 375, 381, 492, 500-502, 337, 341, D6/343, 357; 297/63-65, 232-233, 283.2, 297/300.1, 311, 353, 354.1, 411.2, 445.1, 297/448.1, 452.48; 5/12.1, 12.2

See application file for complete search history.

(56) **References Cited**

U.S. PATENT DOCUMENTS

D249,988 S * 10/1978 Sprunger D6/357
D368,808 S * 4/1996 Mourgue D6/357
D437,496 S * 2/2001 Vu D6/357
D439,071 S * 3/2001 D'Urso et al. D6/381
D448,196 S * 9/2001 Gomez D6/377
D484,712 S * 1/2004 Gomez D6/377

D484,713 S * 1/2004 Gomez D6/381
D485,086 S * 1/2004 Gomez D6/381
D541,076 S * 4/2007 Mathieu et al. D6/381
D563,112 S * 3/2008 Swanson D6/381

OTHER PUBLICATIONS

Cor, Conseta, 1964, Germany, 3 pages (www.cor.de).
Cor, Nuba, 2003, Germany, 2 pages (www.cor.de).
Cor, Scroll, 2002, Germany, 2 pages (www.cor.de).

* cited by examiner

Primary Examiner—Sandra Snapp

(74) *Attorney, Agent, or Firm*—Crowell & Moring LLP

(57) **CLAIM**

The ornamental design for furniture, as shown and described.

DESCRIPTION

This application is related to the following co-pending application:

Application Ser. No. 29/296,509, entitled "Furniture".

FIG. 1 is a front perspective view of furniture according to our novel design;

FIG. 2 is a perspective right side view of the furniture of FIG. 1, with a portion in a second, partially reclined position;

FIG. 3 is a front view of the furniture of FIG. 1;

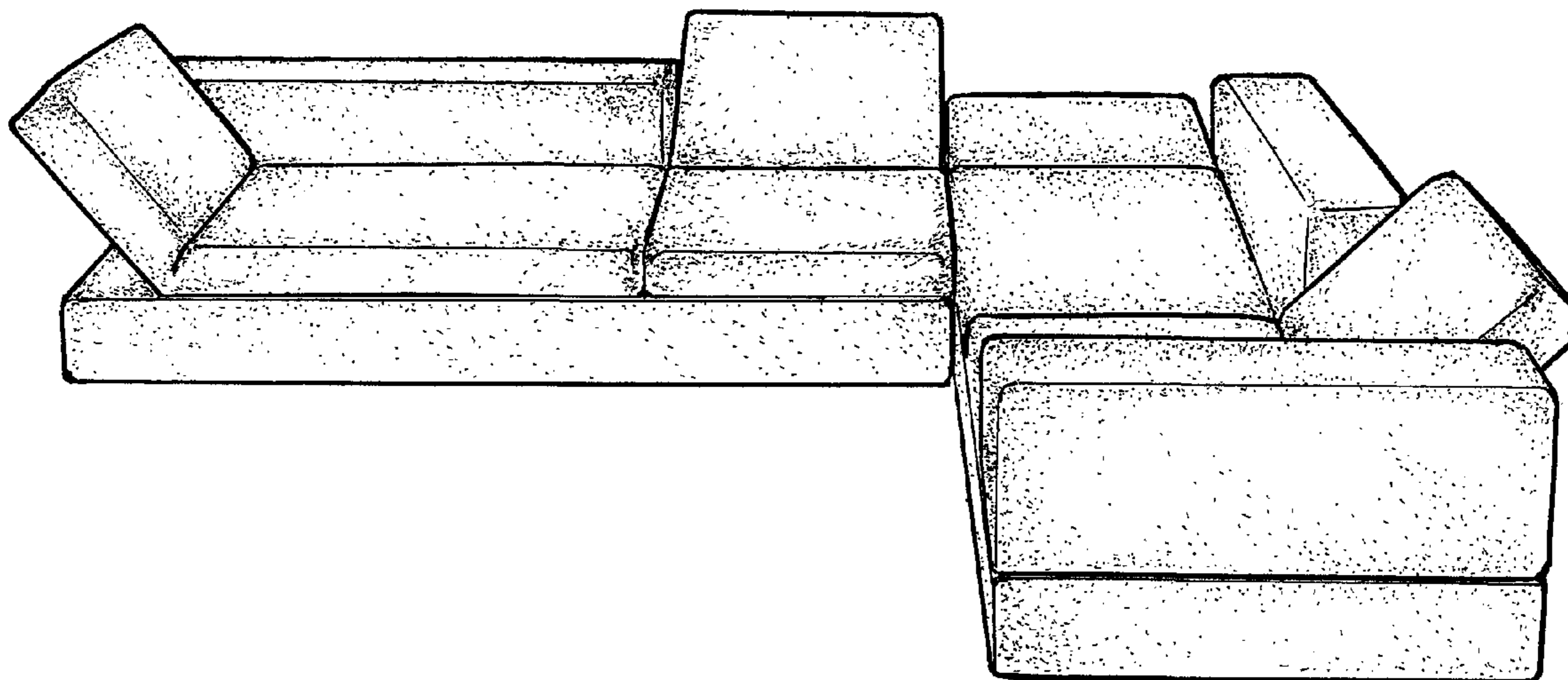
FIG. 4 is a left side view thereof;

FIG. 5 is a rear view thereof;

FIG. 6 is a right side view thereof; and,

FIG. 7 is a top view thereof.

1 Claim, 5 Drawing Sheets



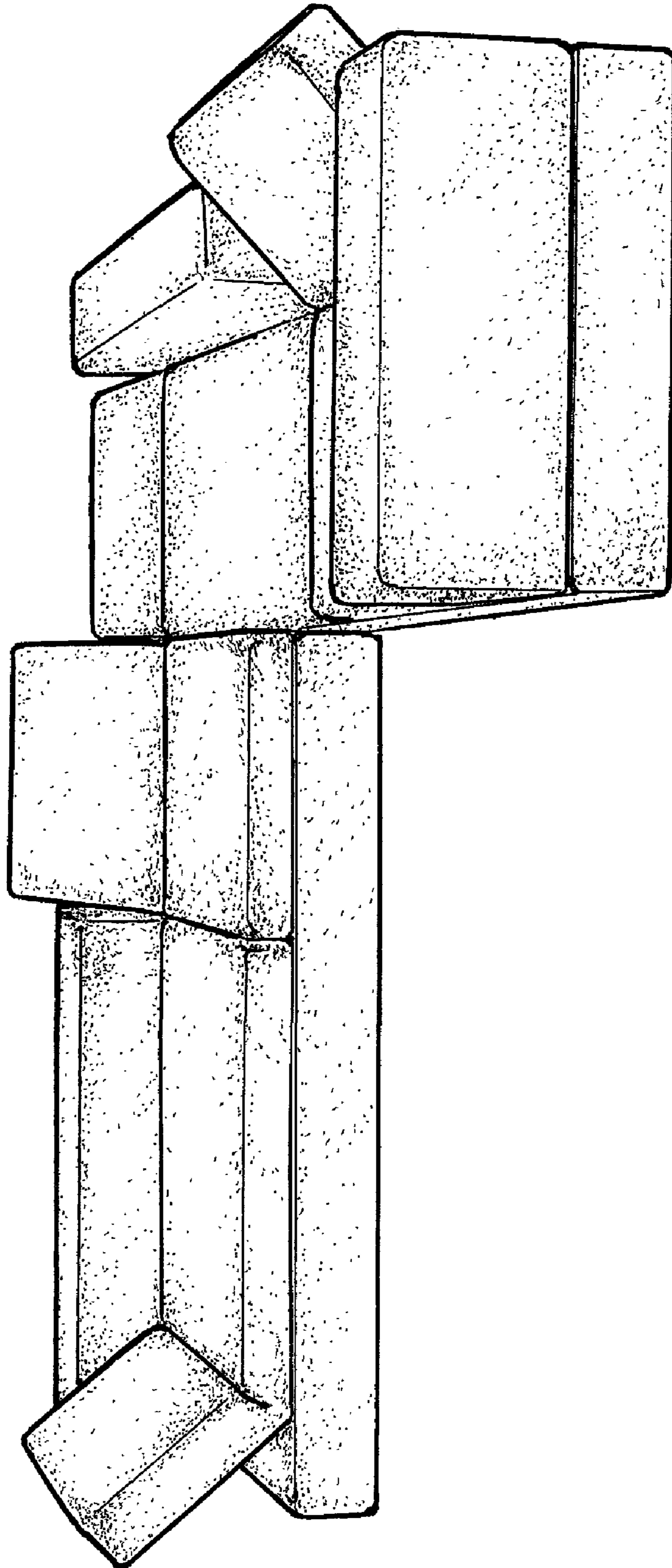


FIG. 1

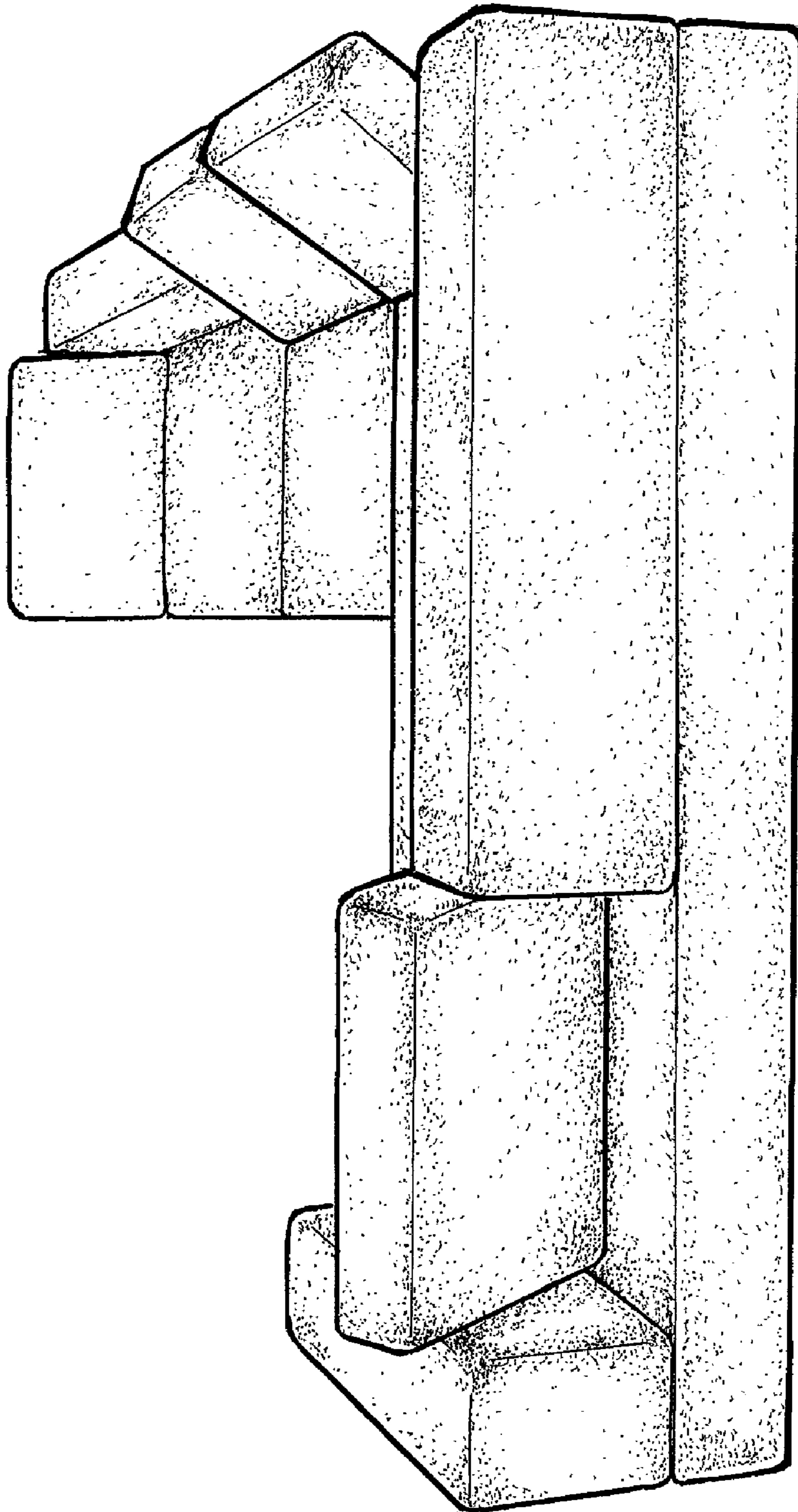


FIG. 2

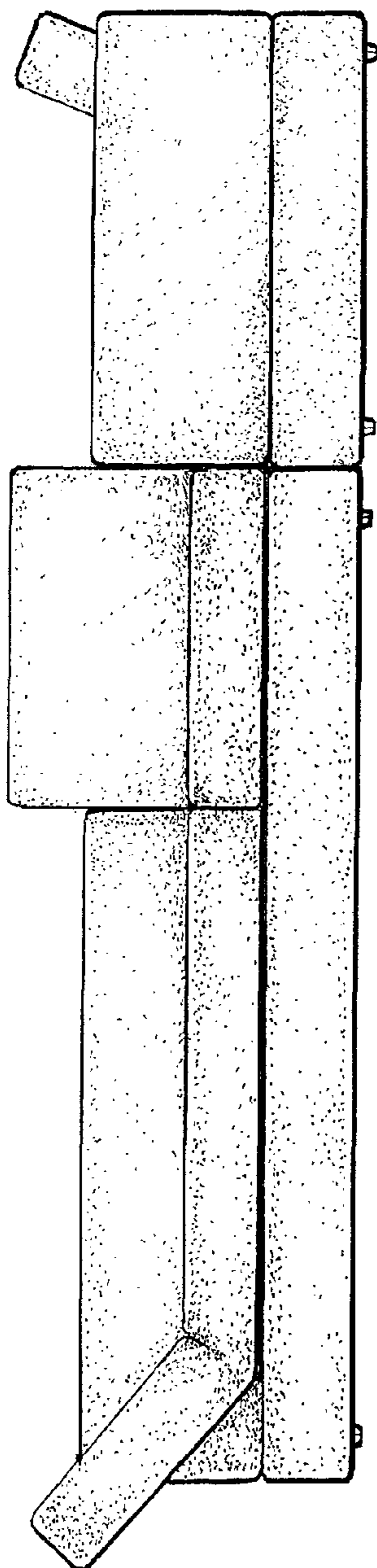


FIG. 3

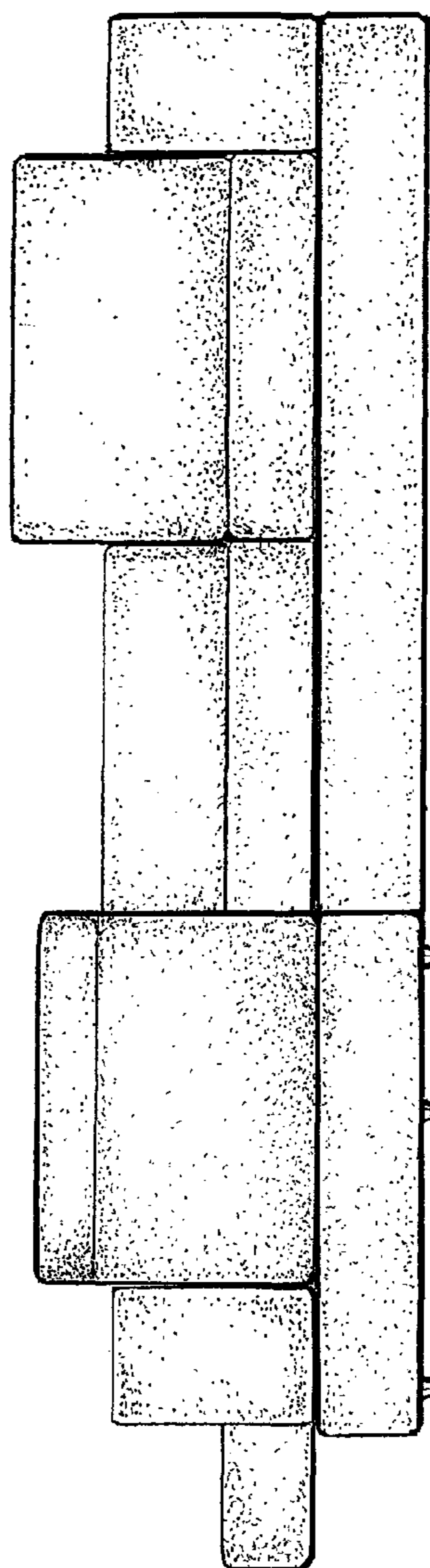


FIG. 4

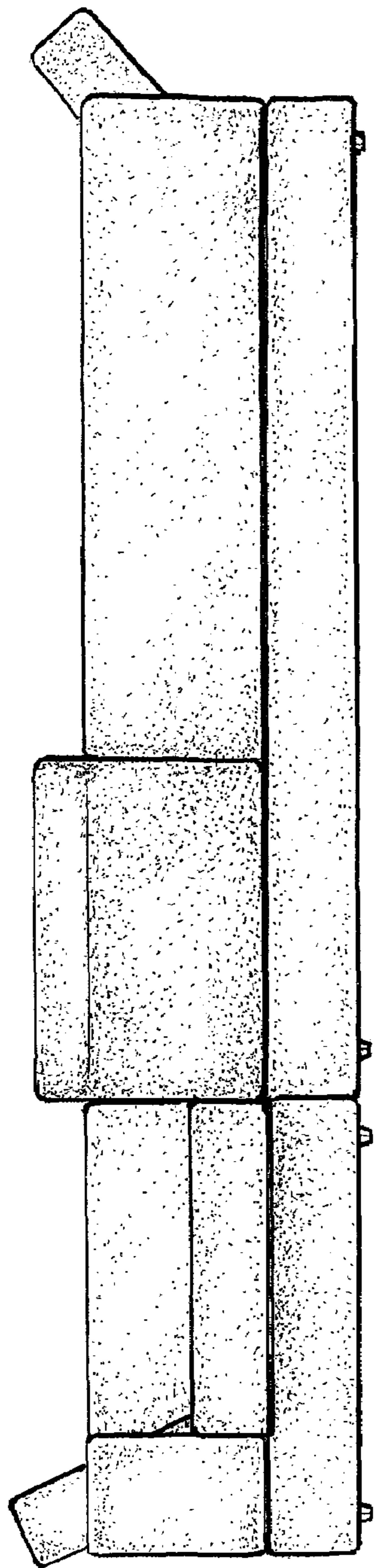


FIG. 5

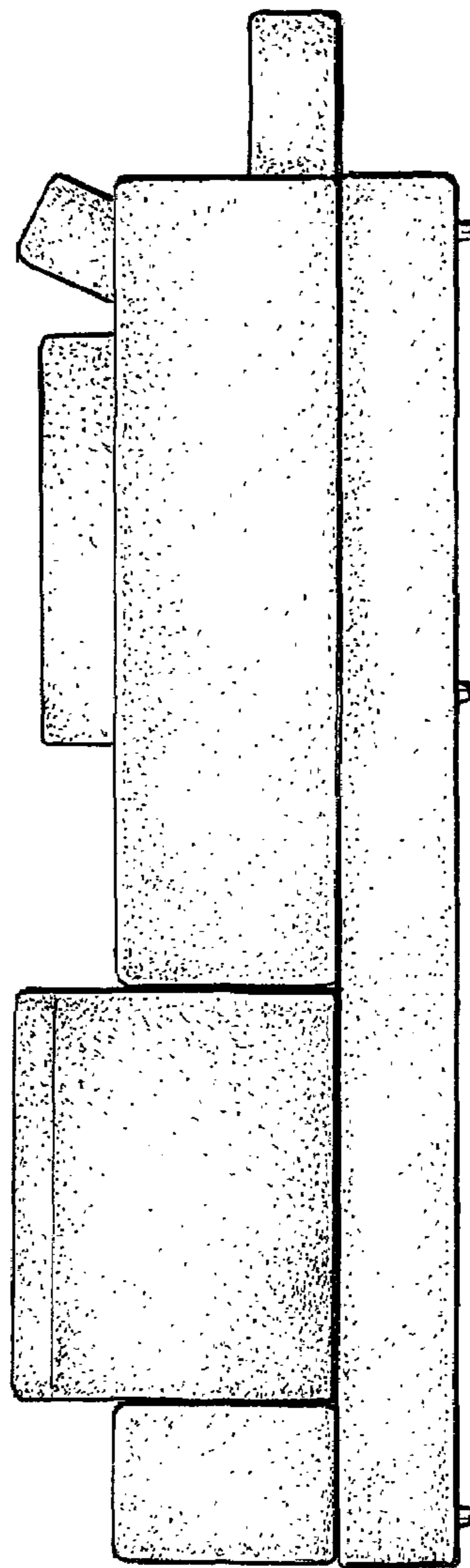


FIG. 6

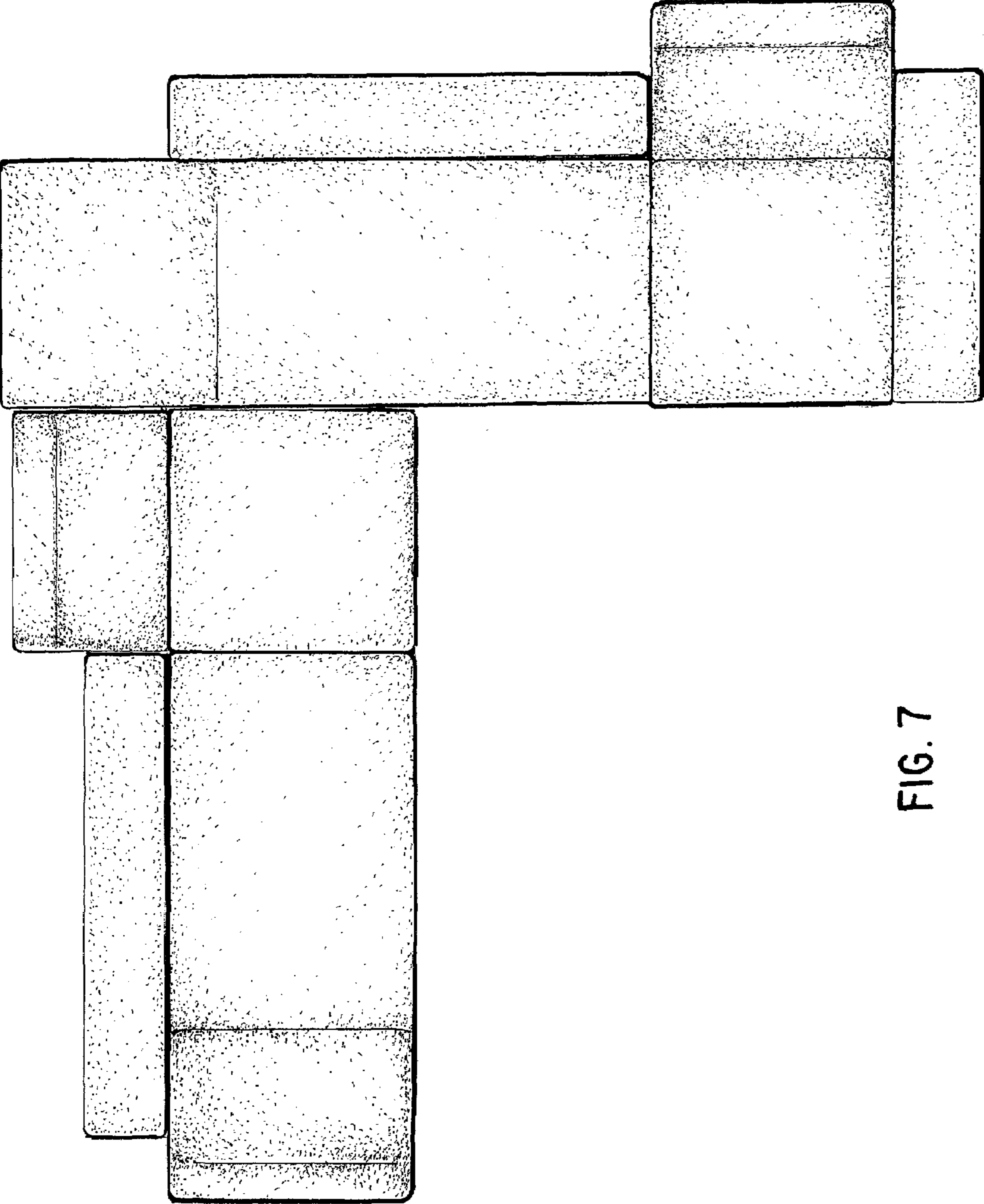


FIG. 7