



US00D580674S

(12) **United States Design Patent**
Naranjo Cardona et al.

(10) **Patent No.:** **US D580,674 S**

(45) **Date of Patent:** **** Nov. 18, 2008**

(54) **METAL PLASTIC CHAIR**

(75) Inventors: **Pablo Andres Naranjo Cardona**,
Medellin (CO); **Alberto Naranjo**
Carvajal, Medellin (CO); **Mauricio**
Ramirez Uribe, Medellin (CO)

(73) Assignee: **Manufacturas Munoz, S.A.**, La Estrella
Antioquia (CO)

(**) Term: **14 Years**

(21) Appl. No.: **29/286,801**

(22) Filed: **May 18, 2007**

(51) **LOC (8) Cl.** **06-01**

(52) **U.S. Cl.** **D6/375**

(58) **Field of Classification Search** D6/334-336,
D6/338, 366, 367, 371-374, 375, 376, 379,
D6/380, 499, 500-502; 297/DIG. 2, 445.1,
297/446.1, 447.1, 447.2, 452.12, 452.19
See application file for complete search history.

(56) **References Cited**

U.S. PATENT DOCUMENTS

D189,347 S * 11/1960 Chapman et al. D6/375

D471,729 S * 3/2003 Glass et al. D6/375
D471,730 S * 3/2003 Schloss D6/375
D499,260 S * 12/2004 Glass et al. D6/375
D522,265 S * 6/2006 Glass et al. D6/375
D544,230 S * 6/2007 Glass et al. D6/375
D566,979 S * 4/2008 Cox et al. D6/375
D572,928 S * 7/2008 Rittfeldt et al. D6/375

* cited by examiner

Primary Examiner—Mimosa De

(74) *Attorney, Agent, or Firm*—Fulbright & Jaworski, LLP

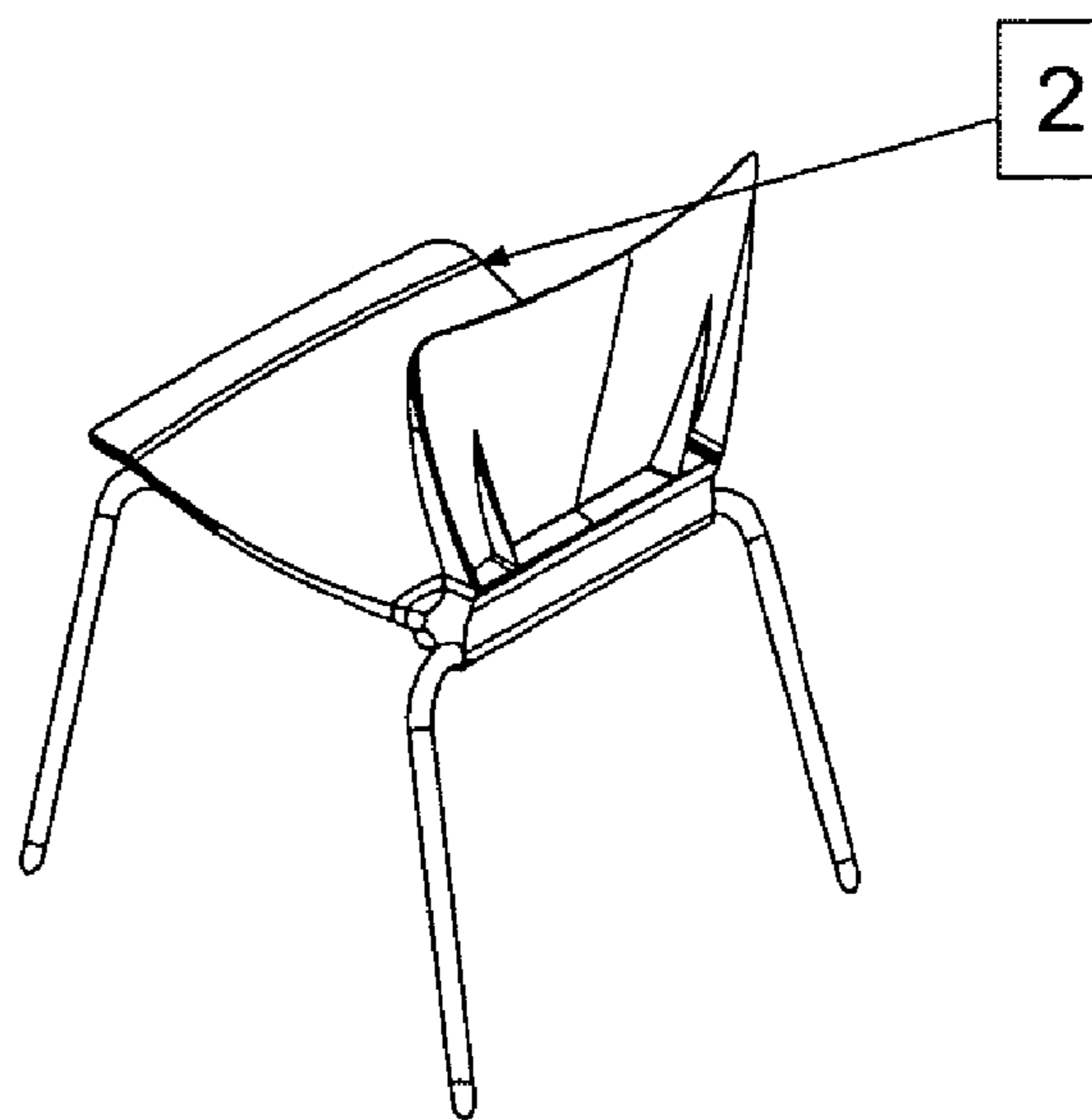
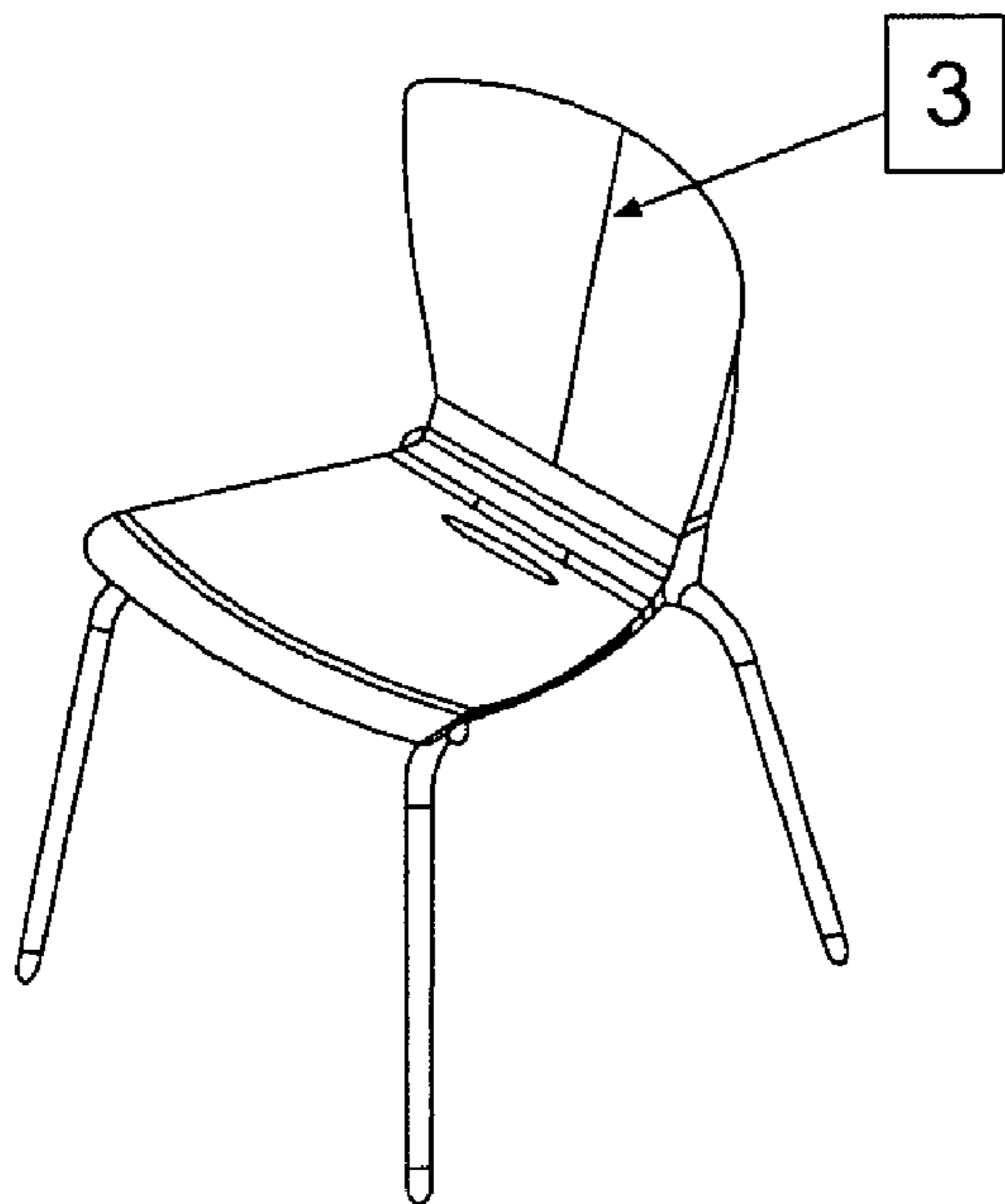
(57) **CLAIM**

The ornamental design for metal plastic chair, as shown and described.

DESCRIPTION

FIG. 1 is a top view of the chair;
FIG. 2 is a front view of the chair;
FIG. 3 is a side view of the chair;
FIG. 4 is a perspective view of the chair; and,
FIG. 5 is a perspective view of the chair.

1 Claim, 1 Drawing Sheet



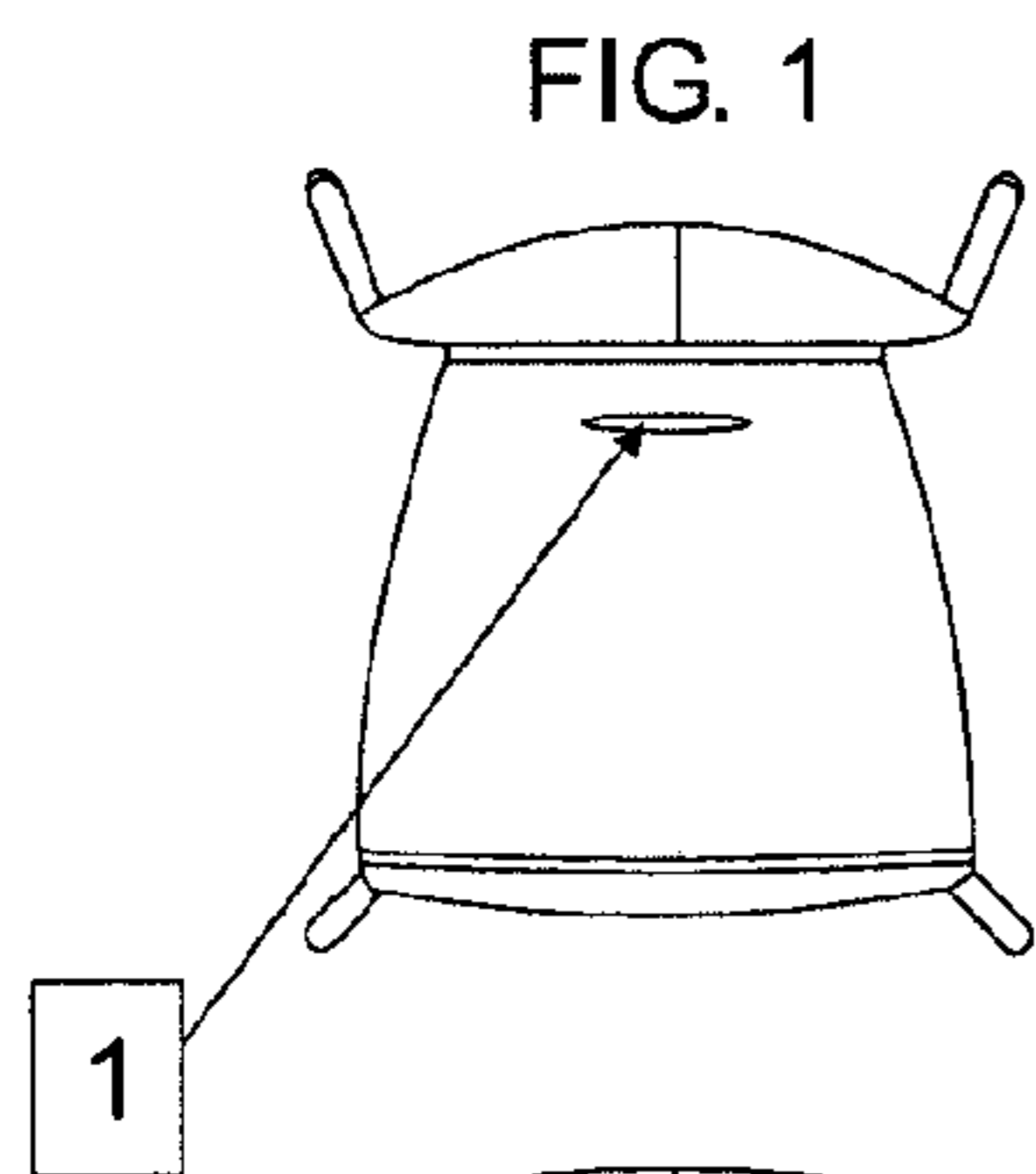


FIG. 1

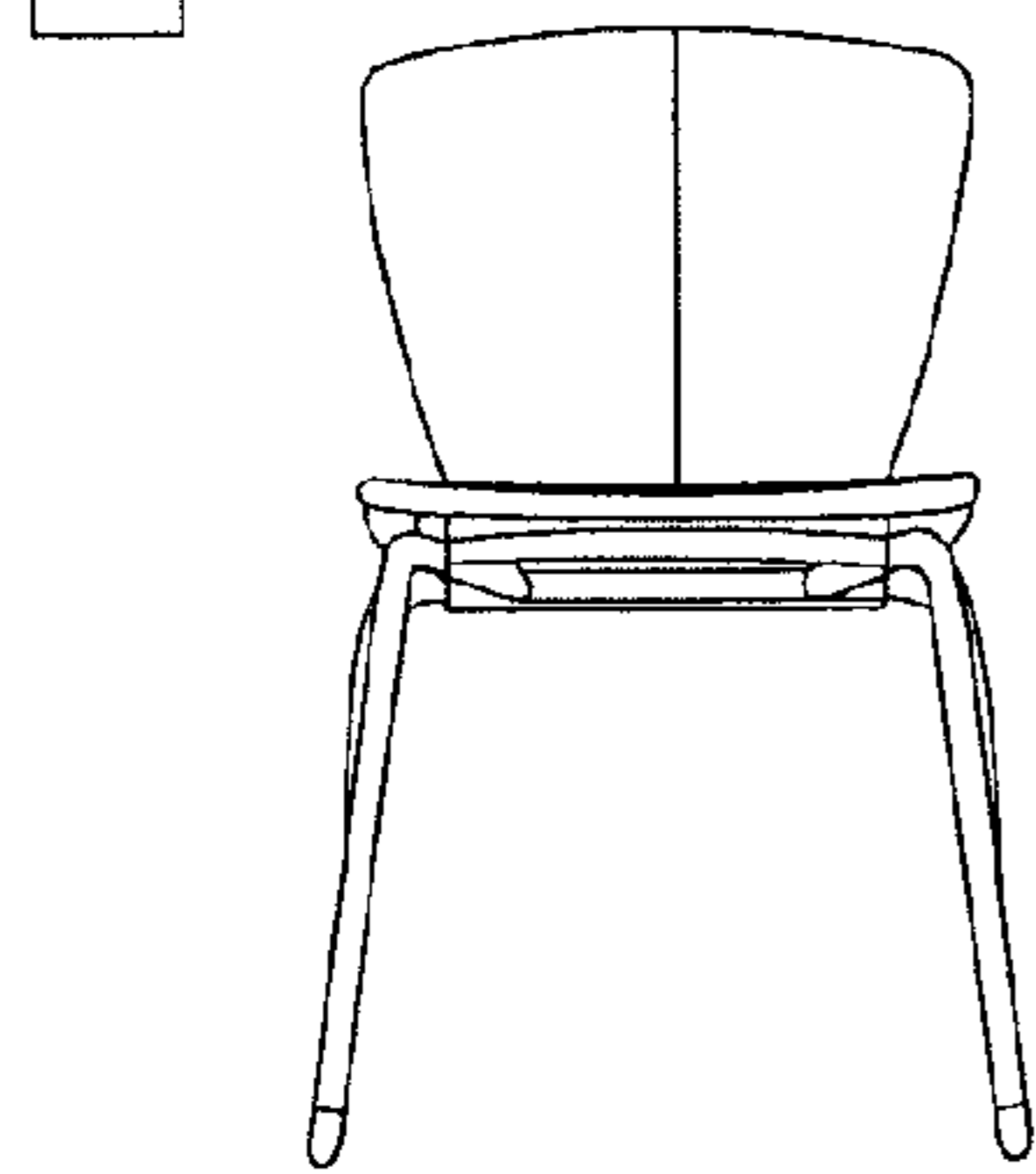


FIG. 2

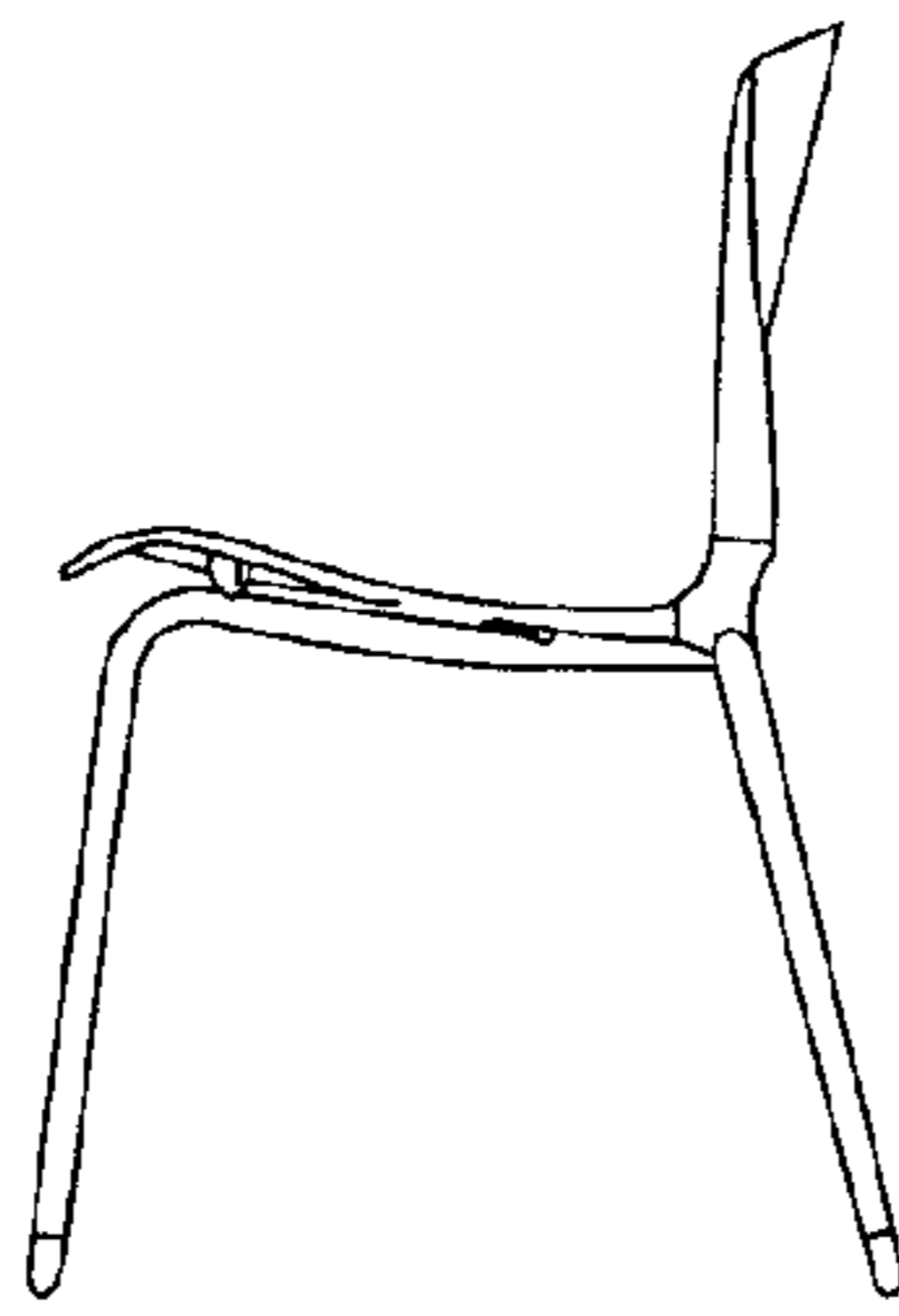


FIG. 3

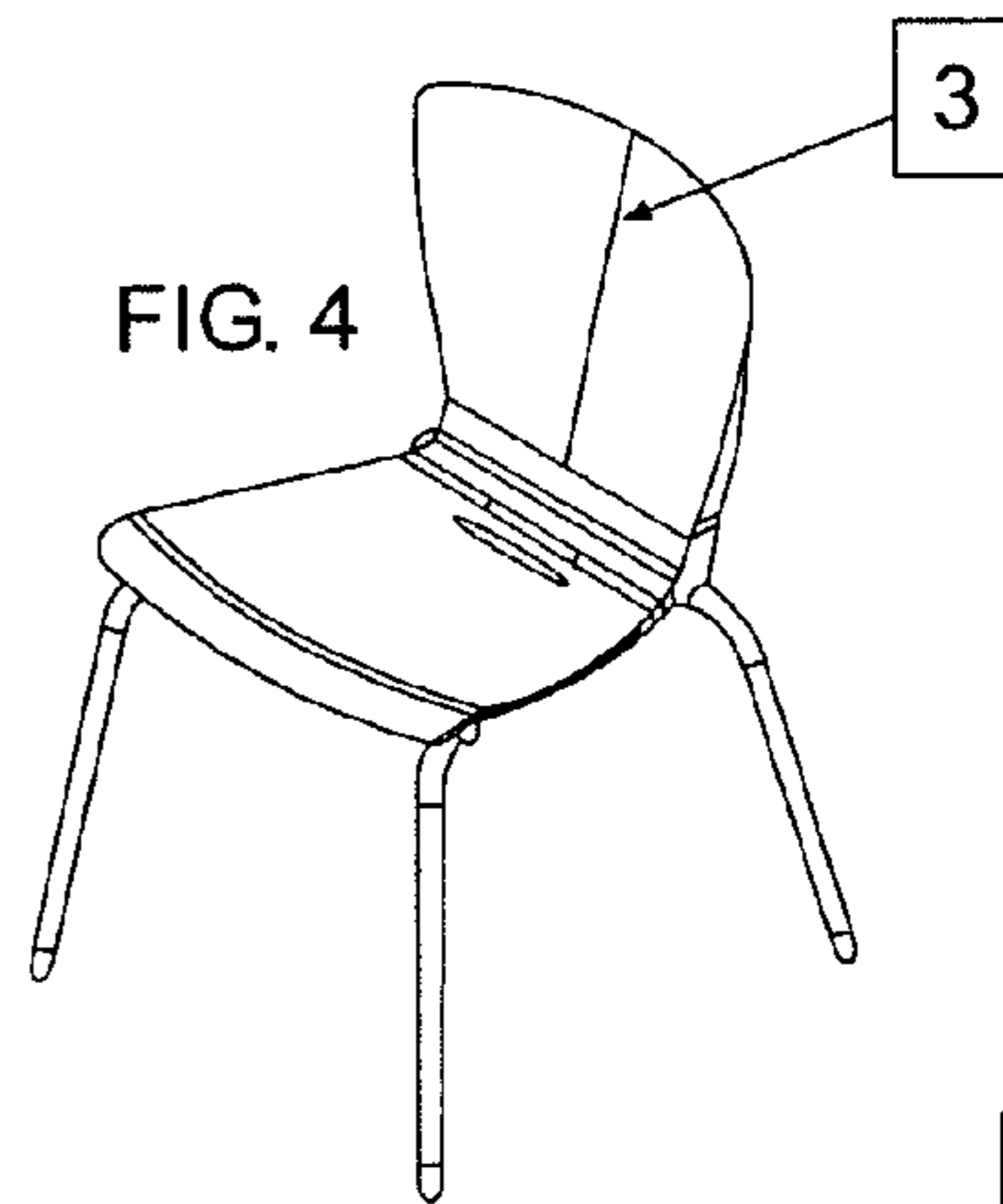


FIG. 4

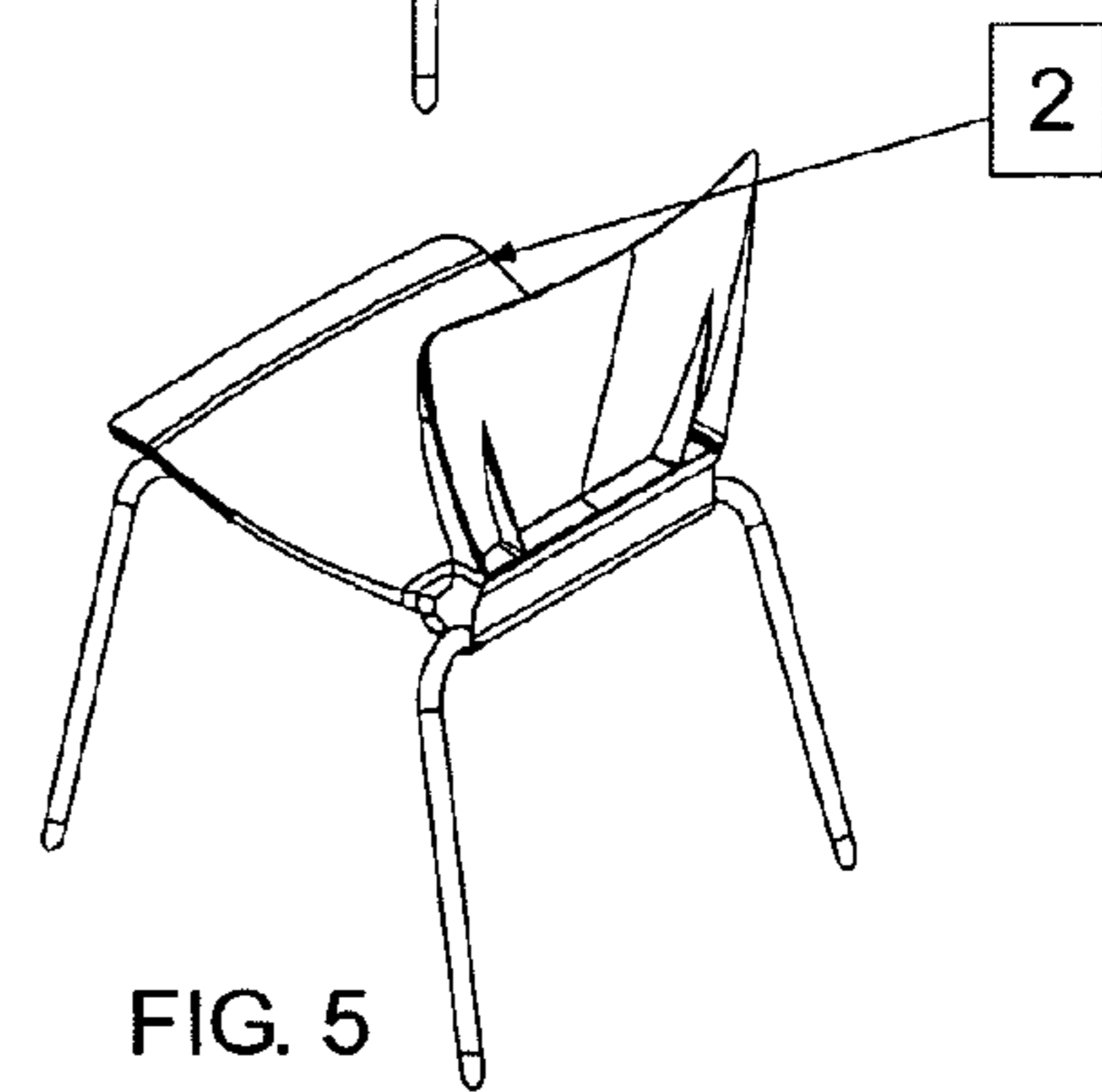


FIG. 5