



US00D580673S

(12) **United States Design Patent**
Wright et al.

(10) **Patent No.:** **US D580,673 S**

(45) **Date of Patent:** **** Nov. 18, 2008**

(54) **CHAIR**

(75) Inventors: **Douglas G. Wright**, Morristown, TN (US); **Charles R. Hebner**, Jonesborough, TN (US); **Stephen J. Zwonitzer**, Atlanta, GA (US)

(73) Assignee: **Meco Corporation**, Greenville, TN (US)

(**) Term: **14 Years**

(21) Appl. No.: **29/295,482**

(22) Filed: **Sep. 28, 2007**

(51) **LOC (8) Cl.** **06-01**

(52) **U.S. Cl.** **D6/374; D6/380**

(58) **Field of Classification Search** D6/334-336, D6/369, 370, 371-373, 374, 375, 376, 379, D6/380, 500-502; 297/239, 445.1, 446.1, 297/452.13, 452.29

See application file for complete search history.

(56) **References Cited**

U.S. PATENT DOCUMENTS

- D219,032 S * 10/1970 Christenson, Jr. D6/374
- D238,990 S * 3/1976 Galvez D6/374
- D374,561 S * 10/1996 Meijer D6/379

- D437,139 S * 2/2001 Beck D6/379
- D449,459 S * 10/2001 Diez Mintegi D6/374
- D469,970 S * 2/2003 Molteni D6/374
- D485,085 S * 1/2004 Swy et al. D6/380
- D541,068 S * 4/2007 Foster D6/374

* cited by examiner

Primary Examiner—Mimosa De

(74) *Attorney, Agent, or Firm*—McGuireWoods LLP

(57) **CLAIM**

I claim the ornamental design for a chair, as shown and described.

DESCRIPTION

FIG. 1 is a perspective view of the ornamental appearance of the chair;

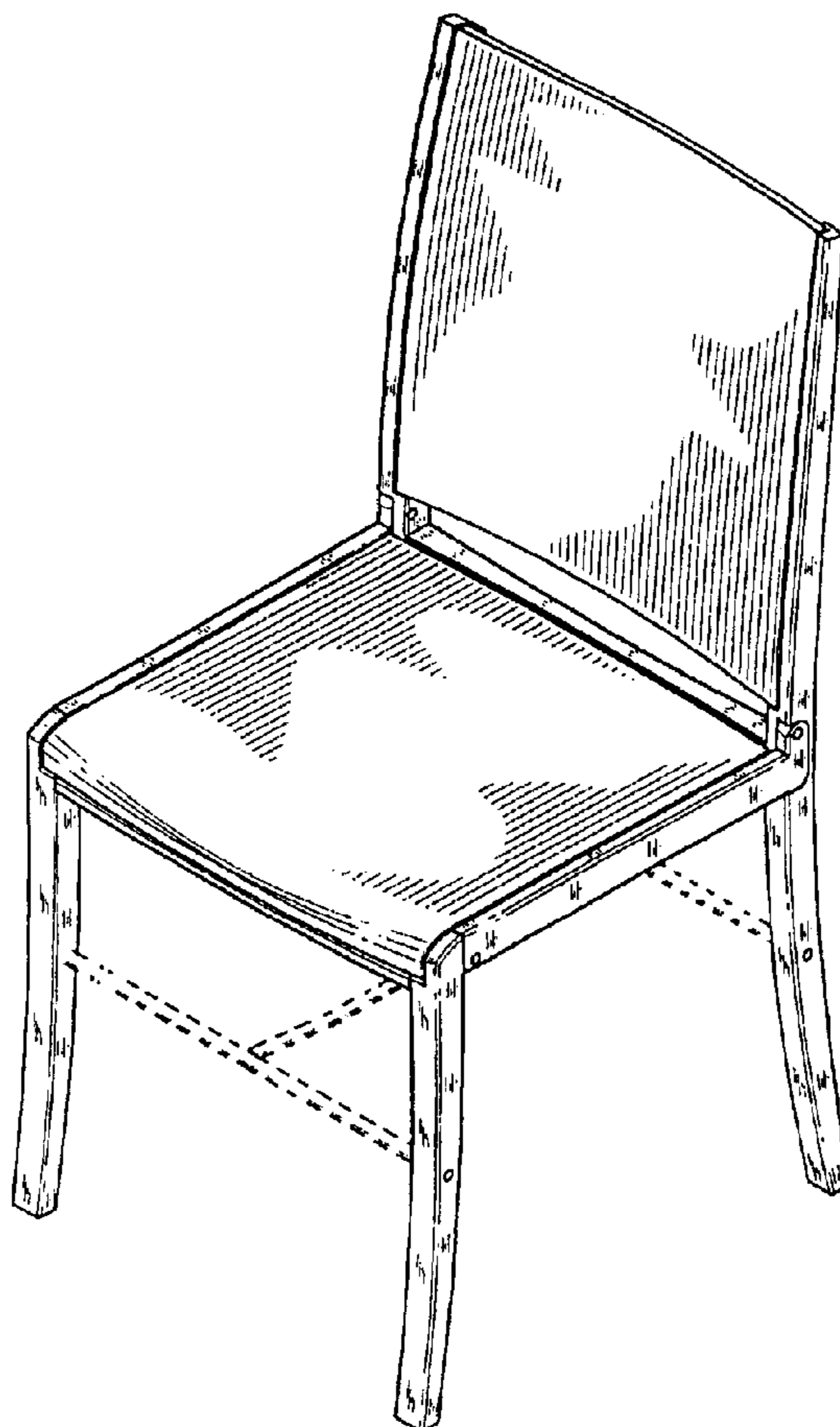
FIG. 2 is a front view of the chair shown in FIG. 1;

FIG. 3 is a side view of the chair shown in FIG. 1; and,

FIG. 4 is a top view of the chair shown in FIG. 1.

Any dashed-line surfaces or surfaces of the design not shown, including interior or bottom surfaces, form no part of the claimed invention.

1 Claim, 4 Drawing Sheets



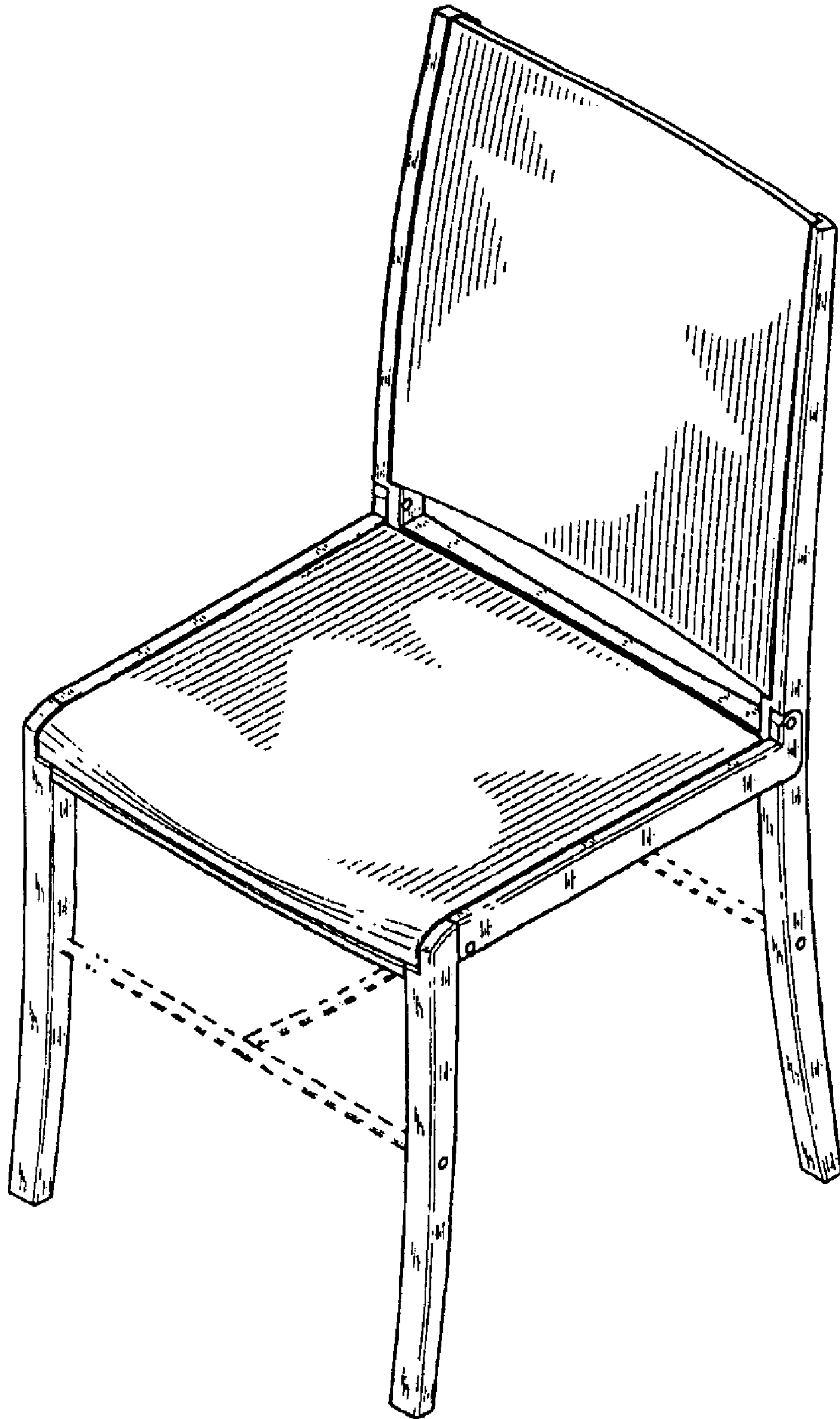


FIG. 1

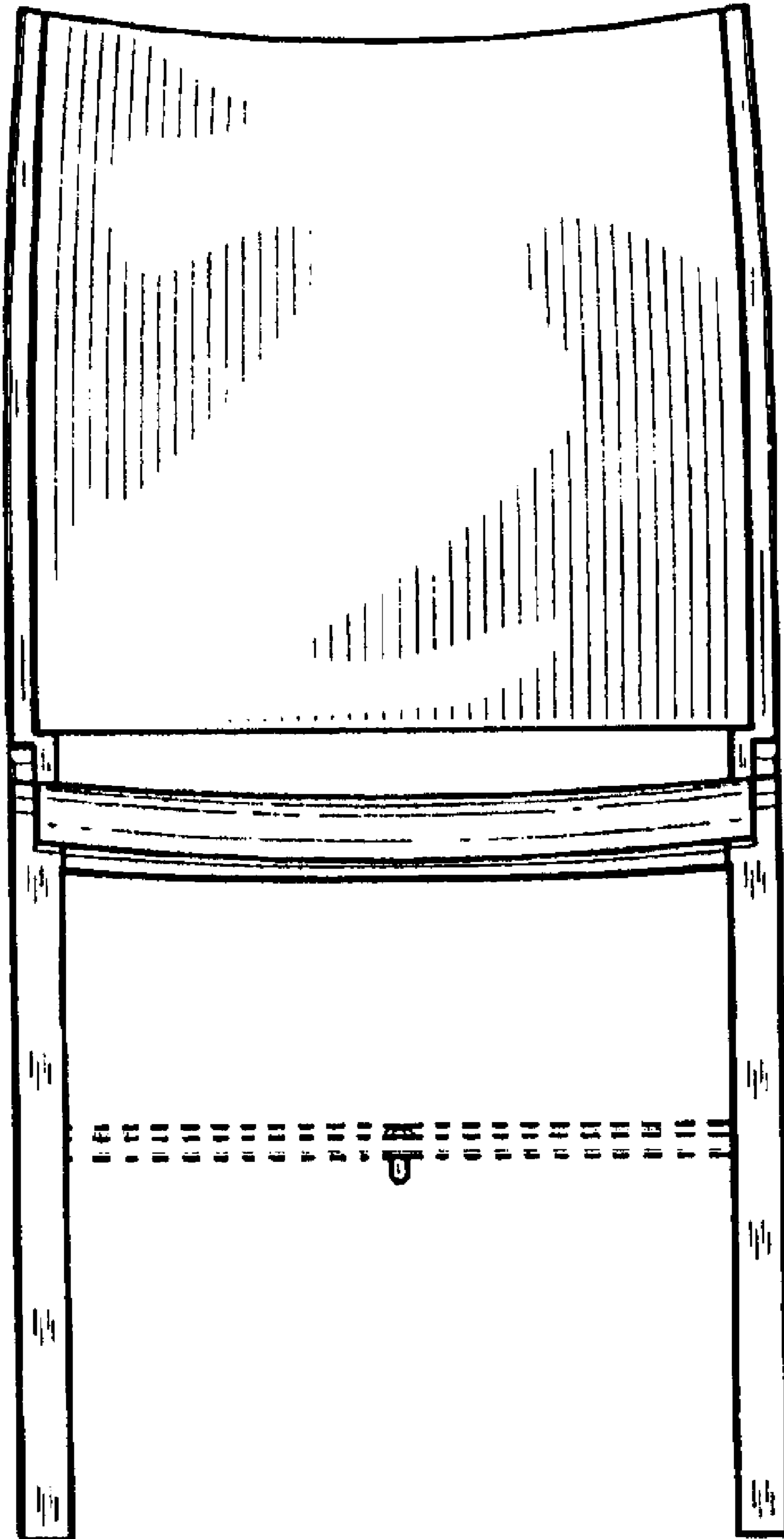


FIG. 2

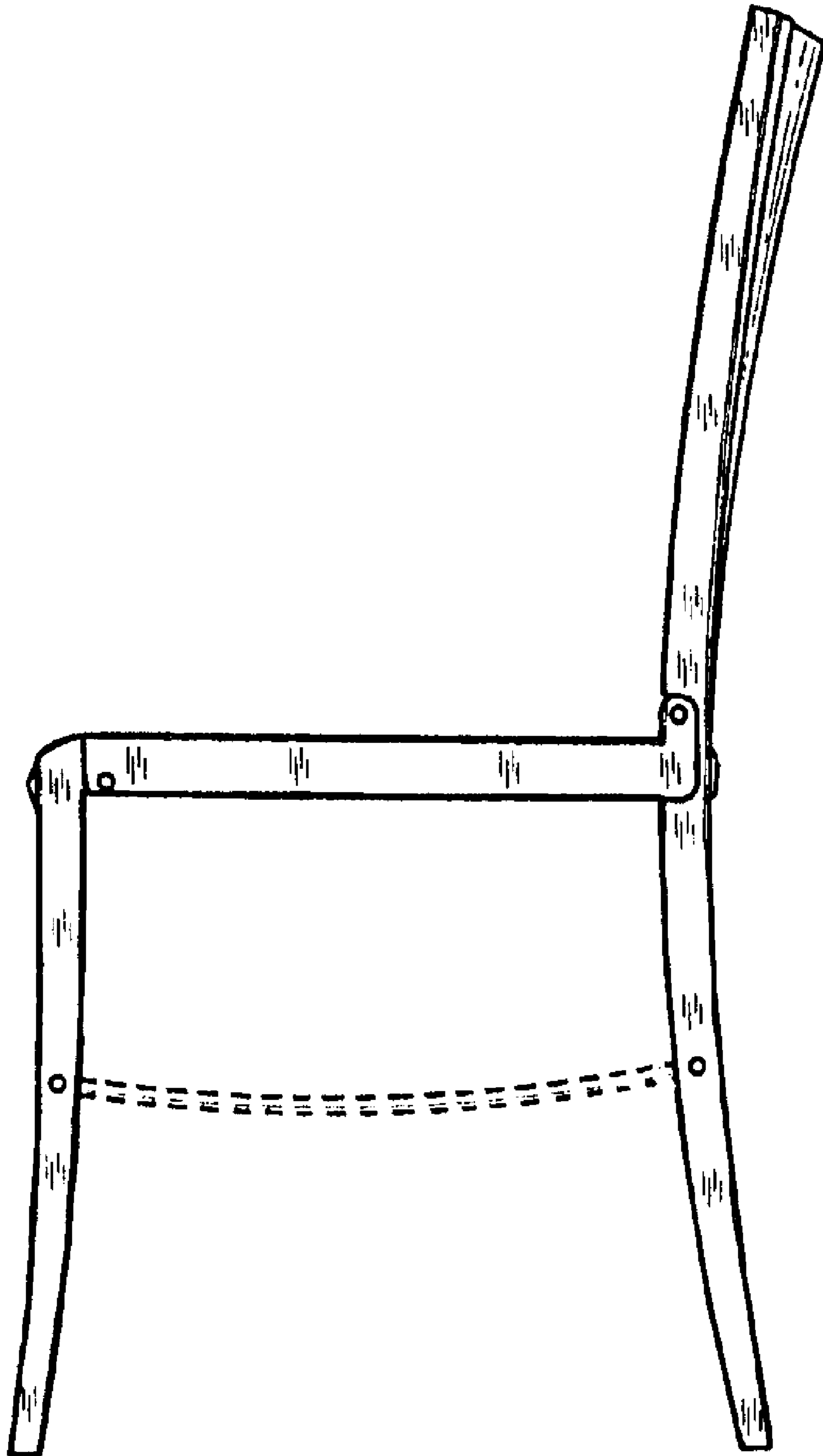


FIG. 3

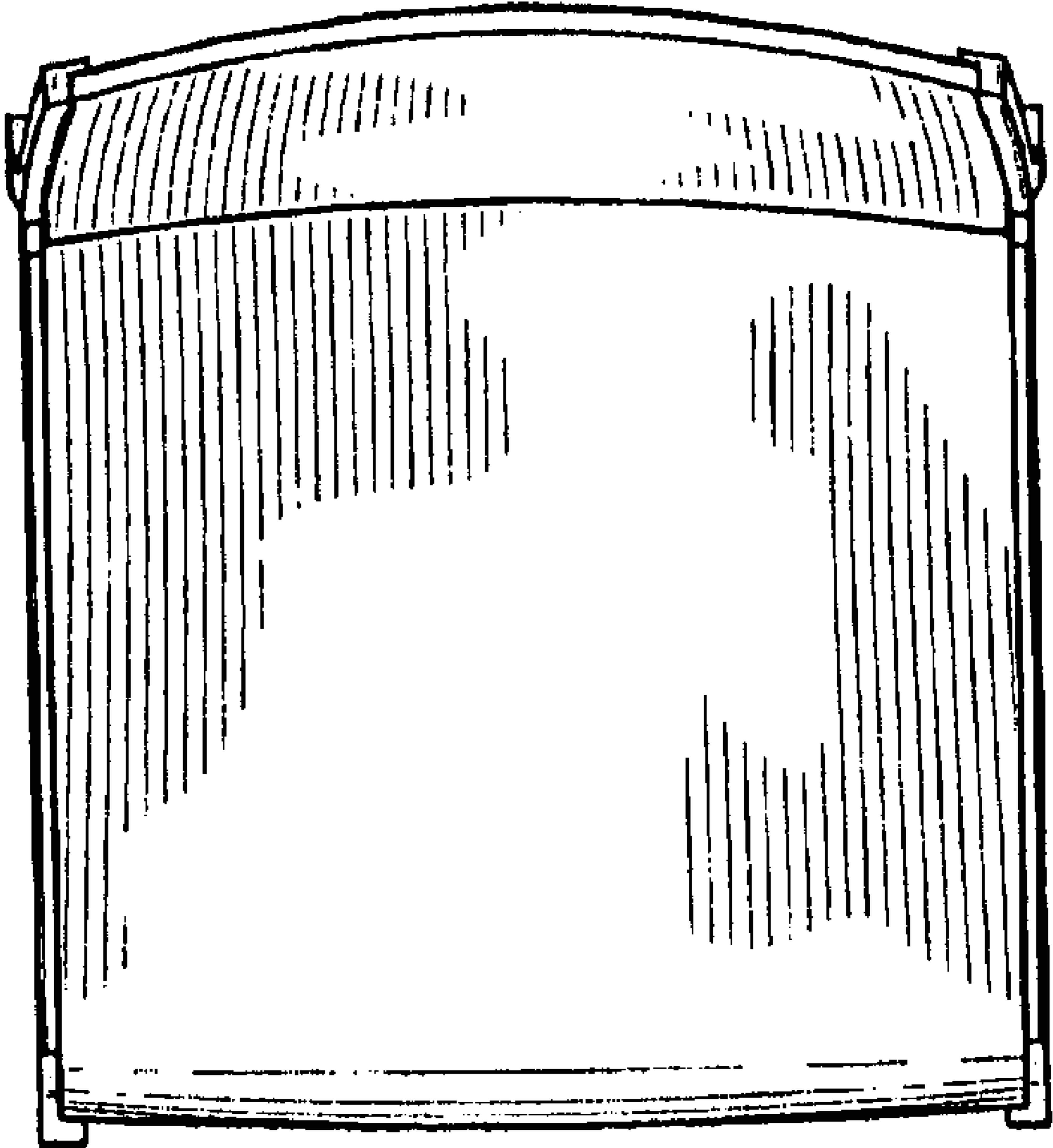


FIG. 4