



US00D580672S

(12) **United States Design Patent**
Le Gal et al.

(10) **Patent No.:** **US D580,672 S**
(45) **Date of Patent:** **** Nov. 18, 2008**

(54) **SEAT**

D555,371 S * 11/2007 Le Gal D6/335
D556,468 S * 12/2007 Le Gal et al. D6/368

(75) Inventors: **Yann Le Gal**, Biviers (FR); **Elie Papiernik**, Paris (FR)

* cited by examiner

(73) Assignee: **Lafuma S.A.** (FR)

Primary Examiner—Robert M. Spear
Assistant Examiner—Katrina A Kile

(**) Term: **14 Years**

(74) *Attorney, Agent, or Firm*—Cantor Colburn LLP

(21) Appl. No.: **29/285,157**

(57) **CLAIM**

(22) Filed: **Mar. 22, 2007**

I claim, the ornamental design for a seat, as shown and described.

(30) **Foreign Application Priority Data**

Sep. 25, 2006 (EM) 000600036

DESCRIPTION

(51) **LOC (8) Cl.** **06-01**

FIG. 1 is a side view of a seat, showing my new design;

(52) **U.S. Cl.** **D6/368**

FIG. 2 is an opposing side view thereof;

(58) **Field of Classification Search** D6/368,
D6/366, 370, 334–336, 358, 364–367, 372–375,
D6/356, 498, 500–502; 297/411.2, 411.27,
297/411.28, 411.36, 452.29, 284.4, 452.3

FIG. 3 is a front and side perspective view thereof;

See application file for complete search history.

FIG. 4 is a bottom view thereof;

FIG. 5 is a rear view thereof;

(56) **References Cited**

U.S. PATENT DOCUMENTS

D438,394 S * 3/2001 Tseng D6/368
D490,251 S * 5/2004 Lin D6/336
D494,769 S * 8/2004 Vigneaud D6/368
D513,896 S * 1/2006 Krake D6/368
D532,621 S * 11/2006 Lin D6/368

FIG. 6 is a front view thereof;

FIG. 7 is a top view thereof;

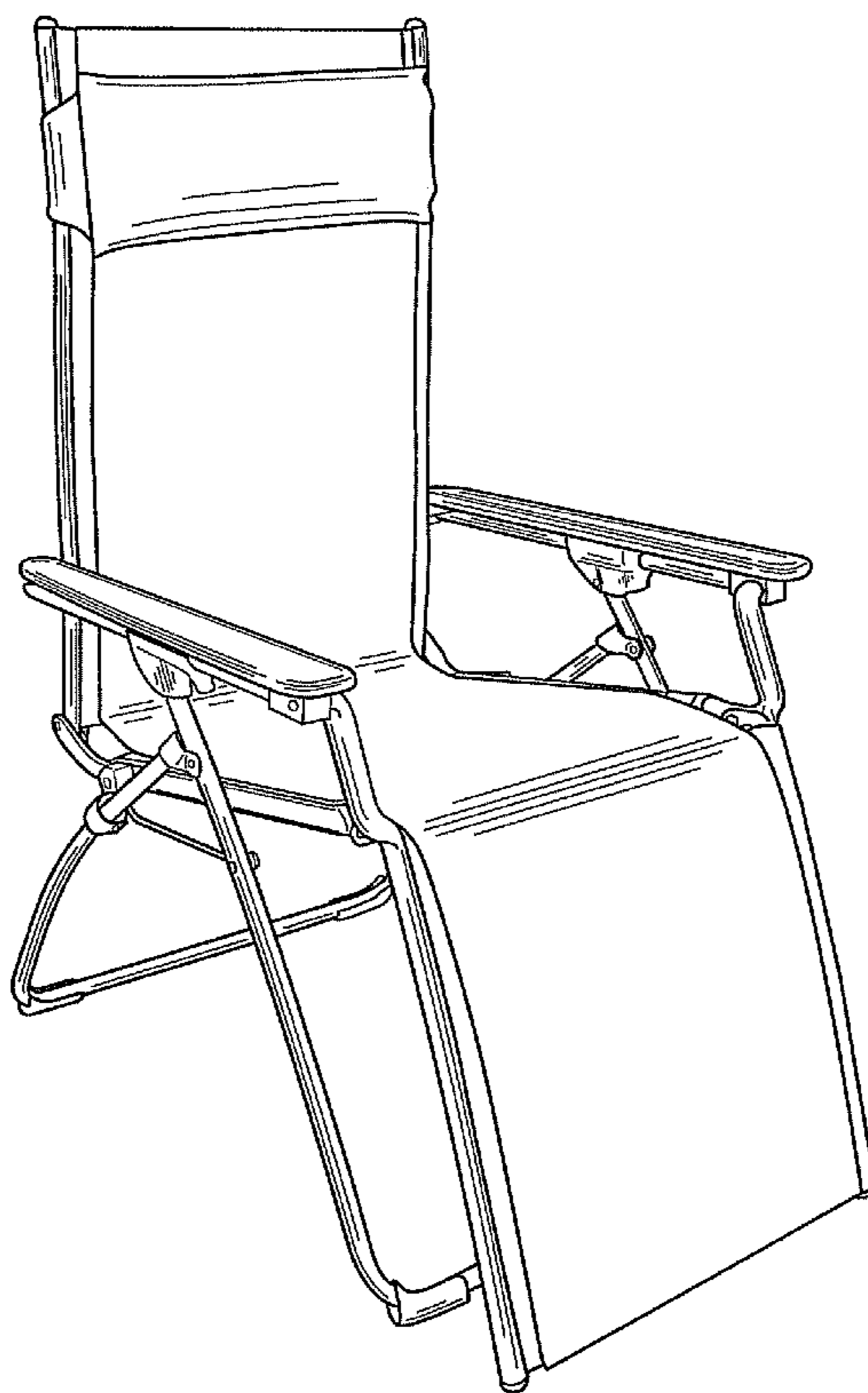
FIG. 8 is an enlarged partial side view thereof;

FIG. 9 is an enlarged partial rear view thereof;

FIG. 10 is an enlarged partial rear perspective view thereof;
and,

FIG. 11 is an enlarged partial side view thereof.

1 Claim, 9 Drawing Sheets



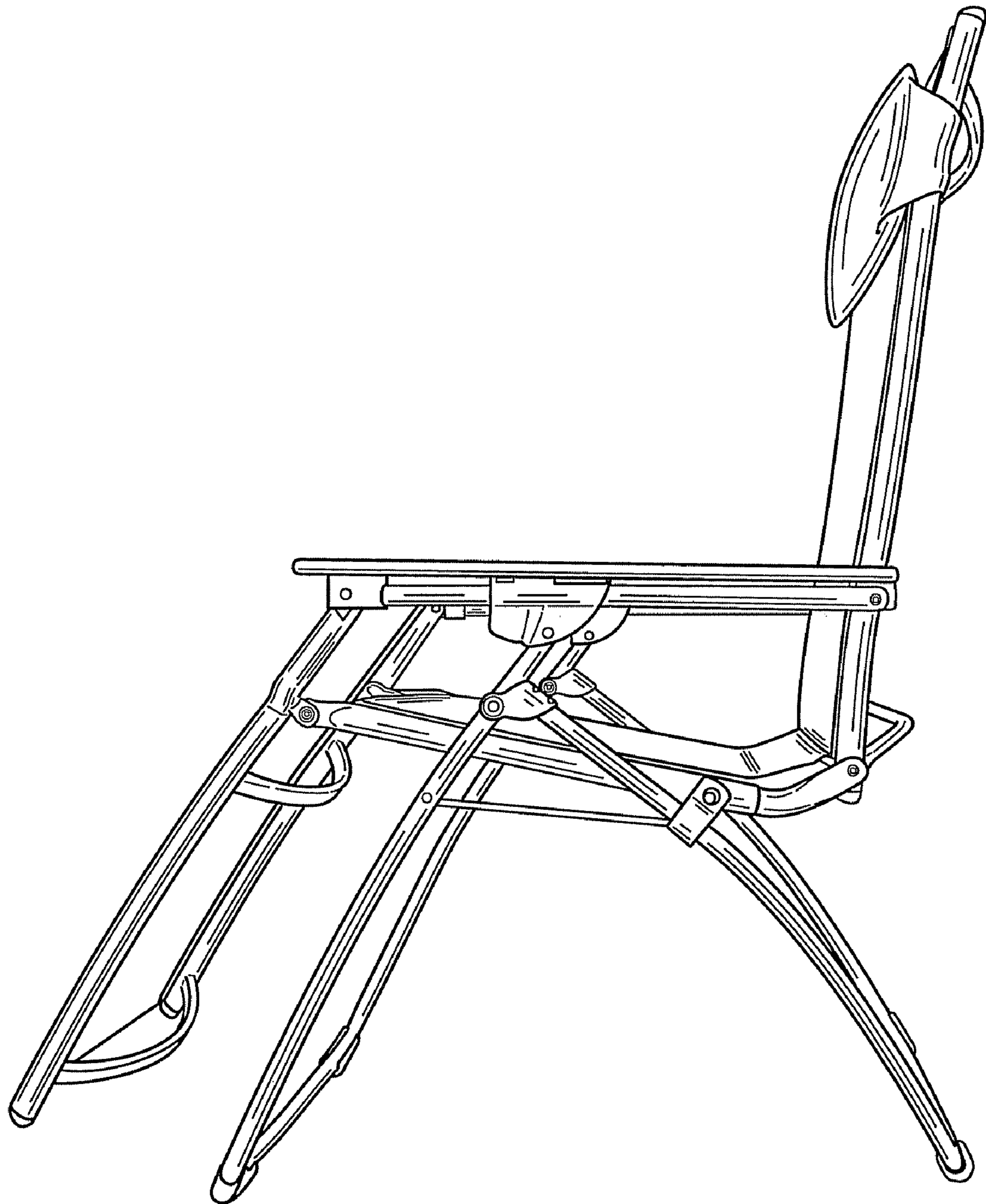


FIG. 1

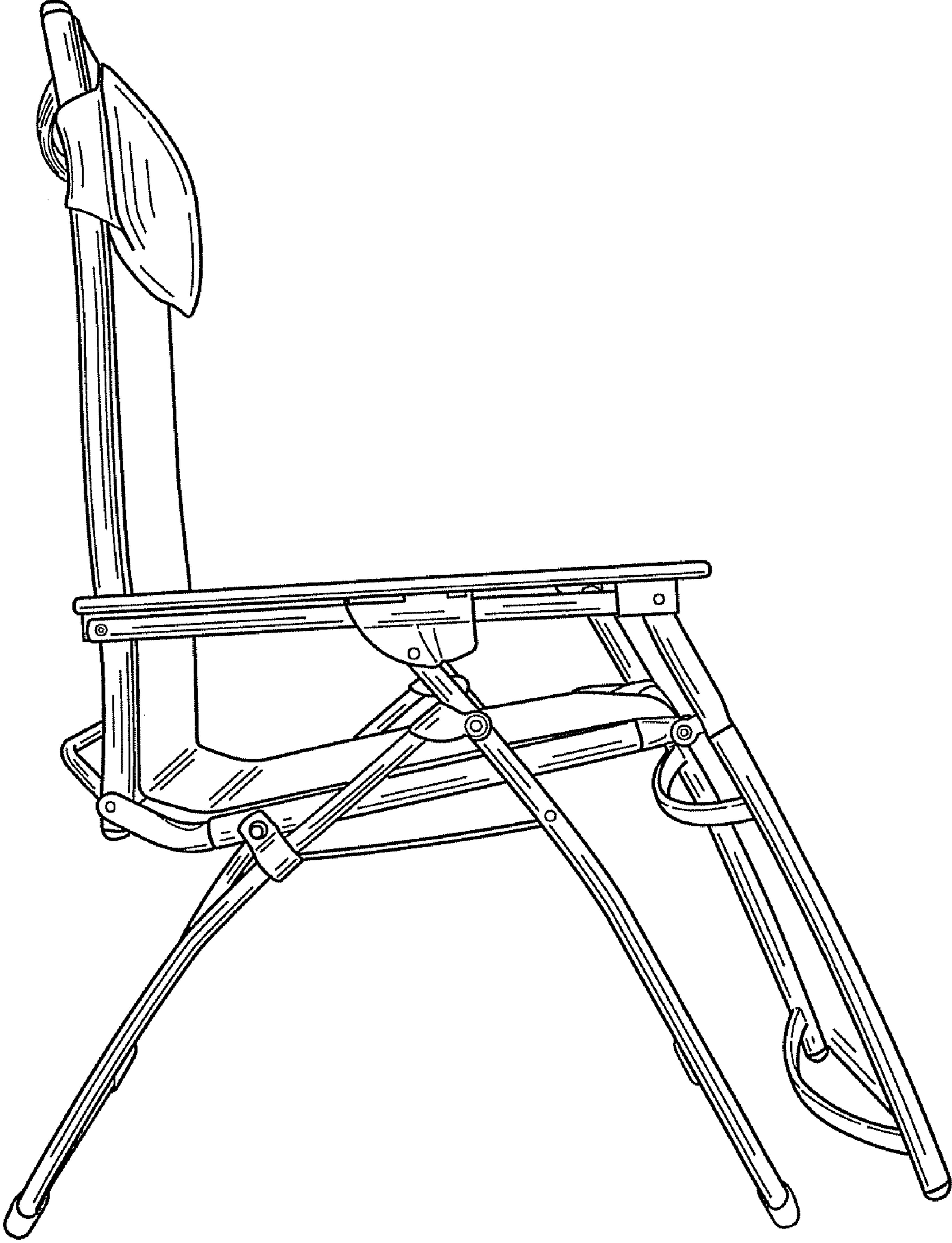


FIG. 2

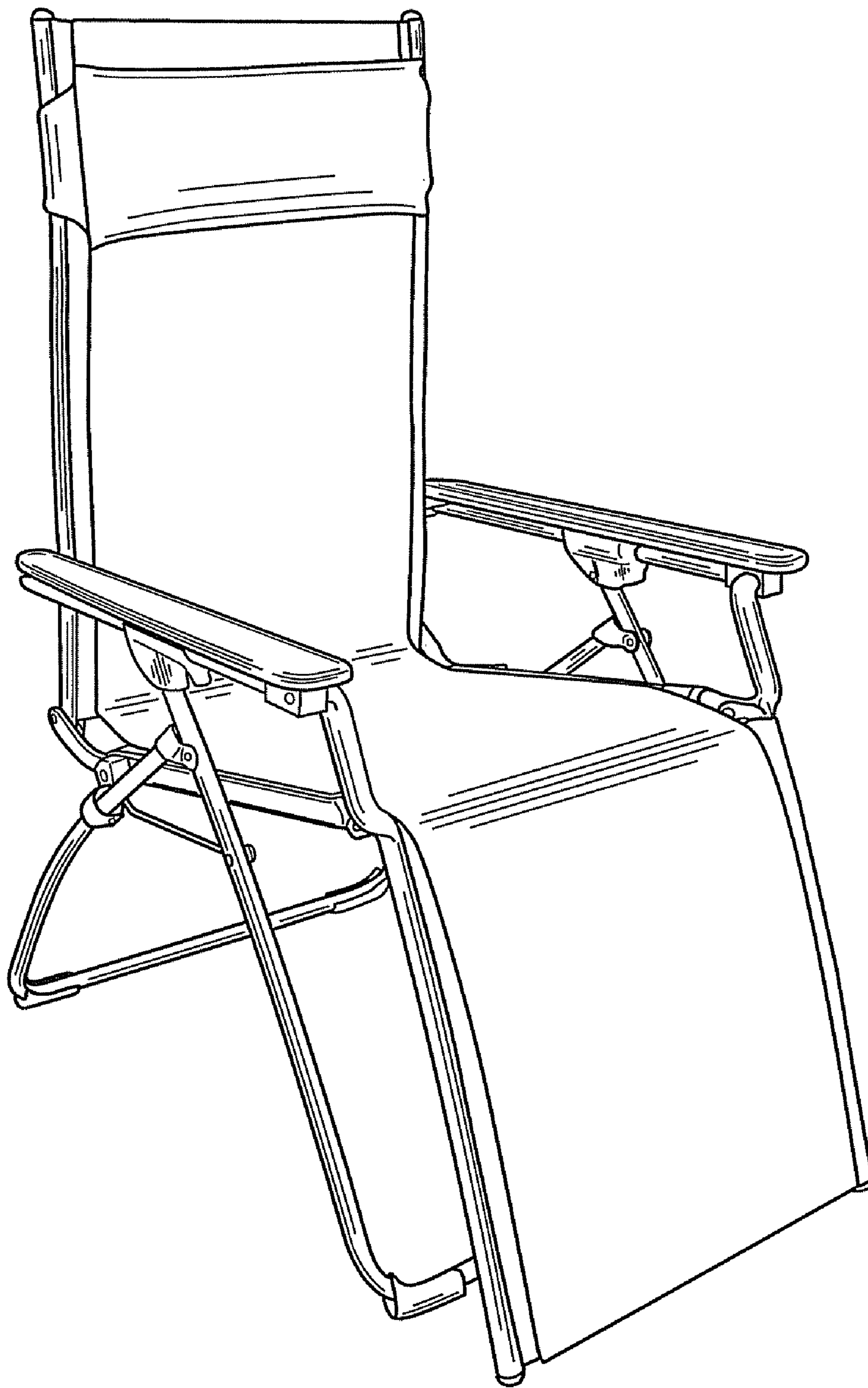


FIG. 3

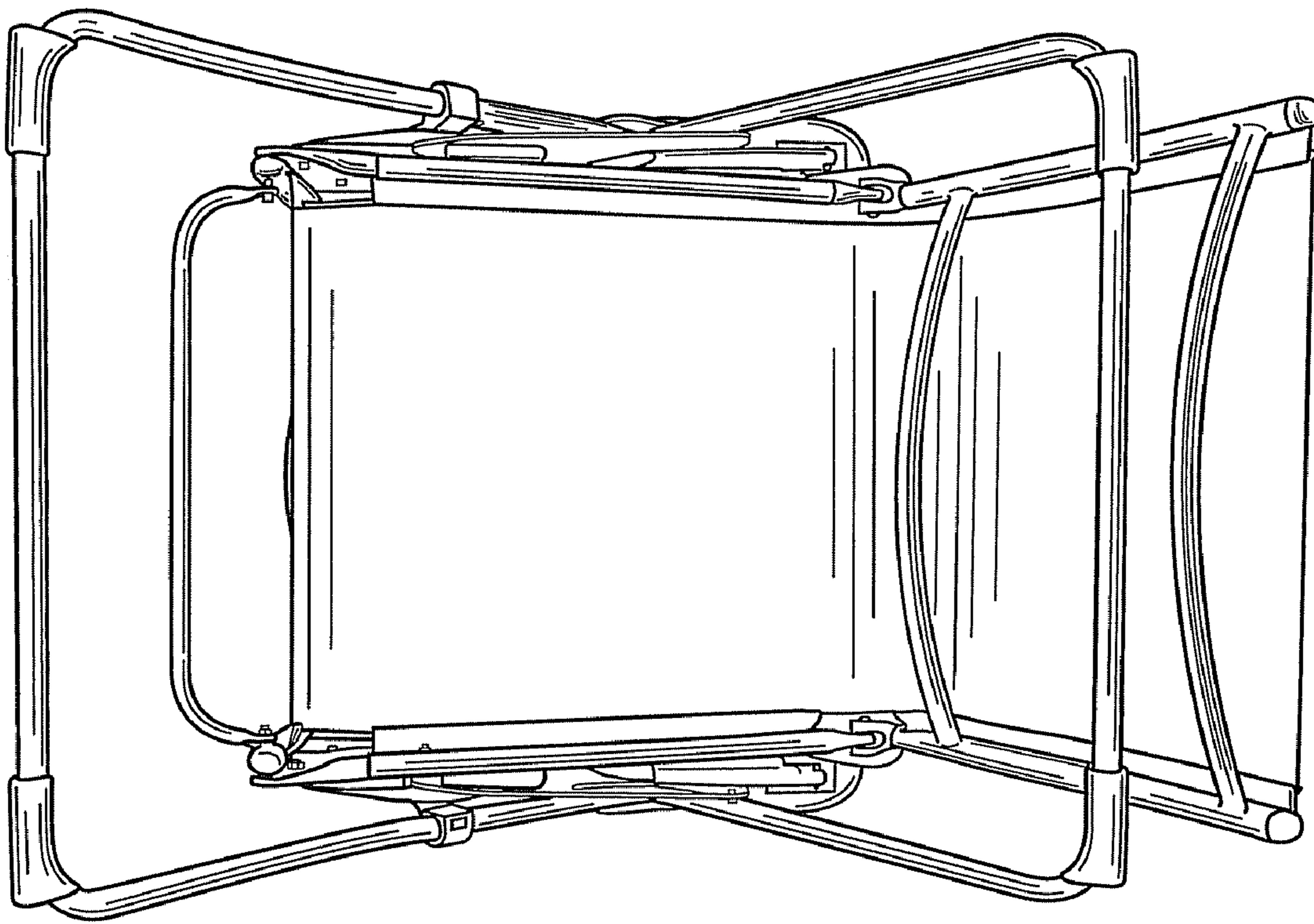


FIG. 4

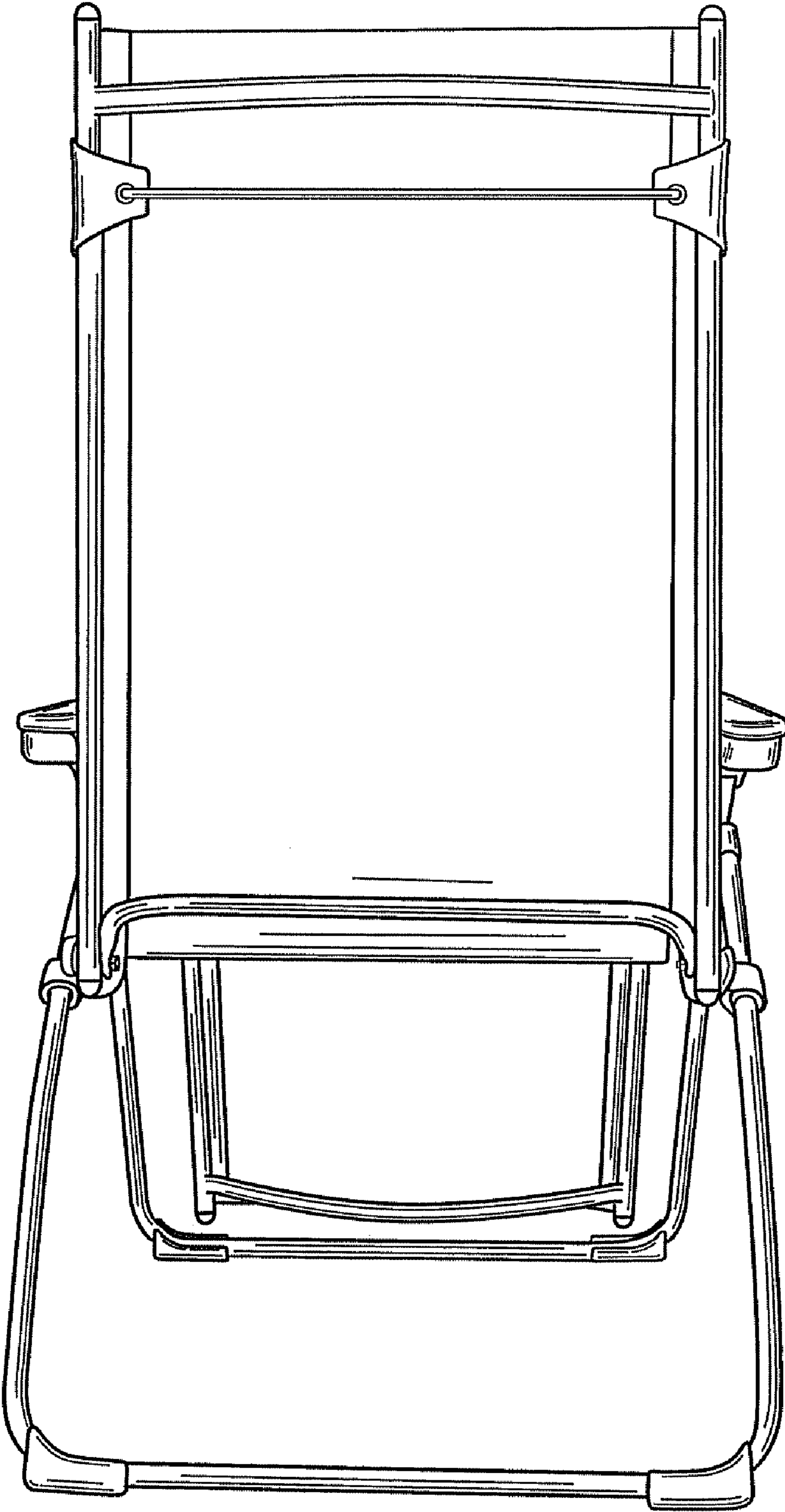


FIG. 5

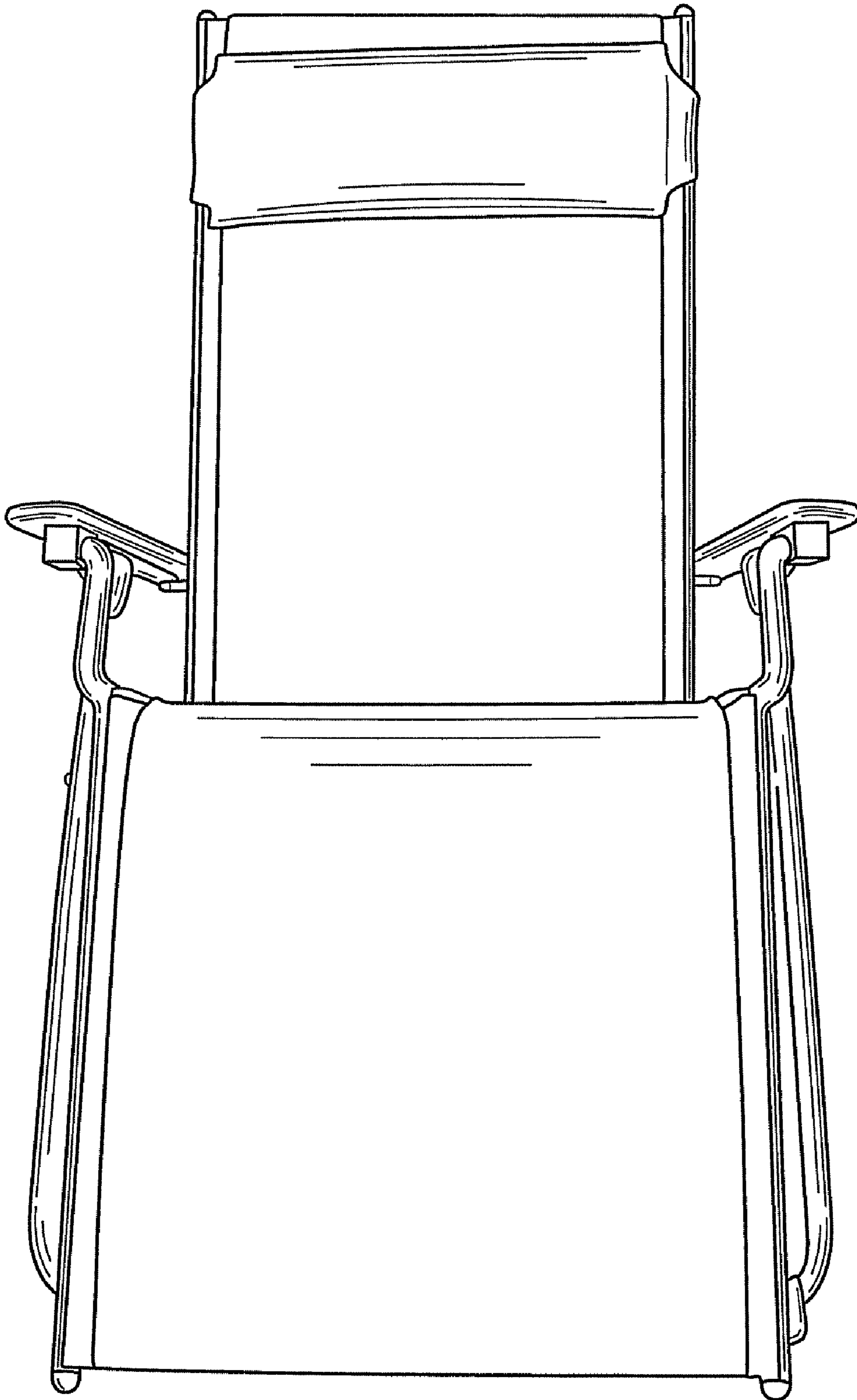


FIG. 6

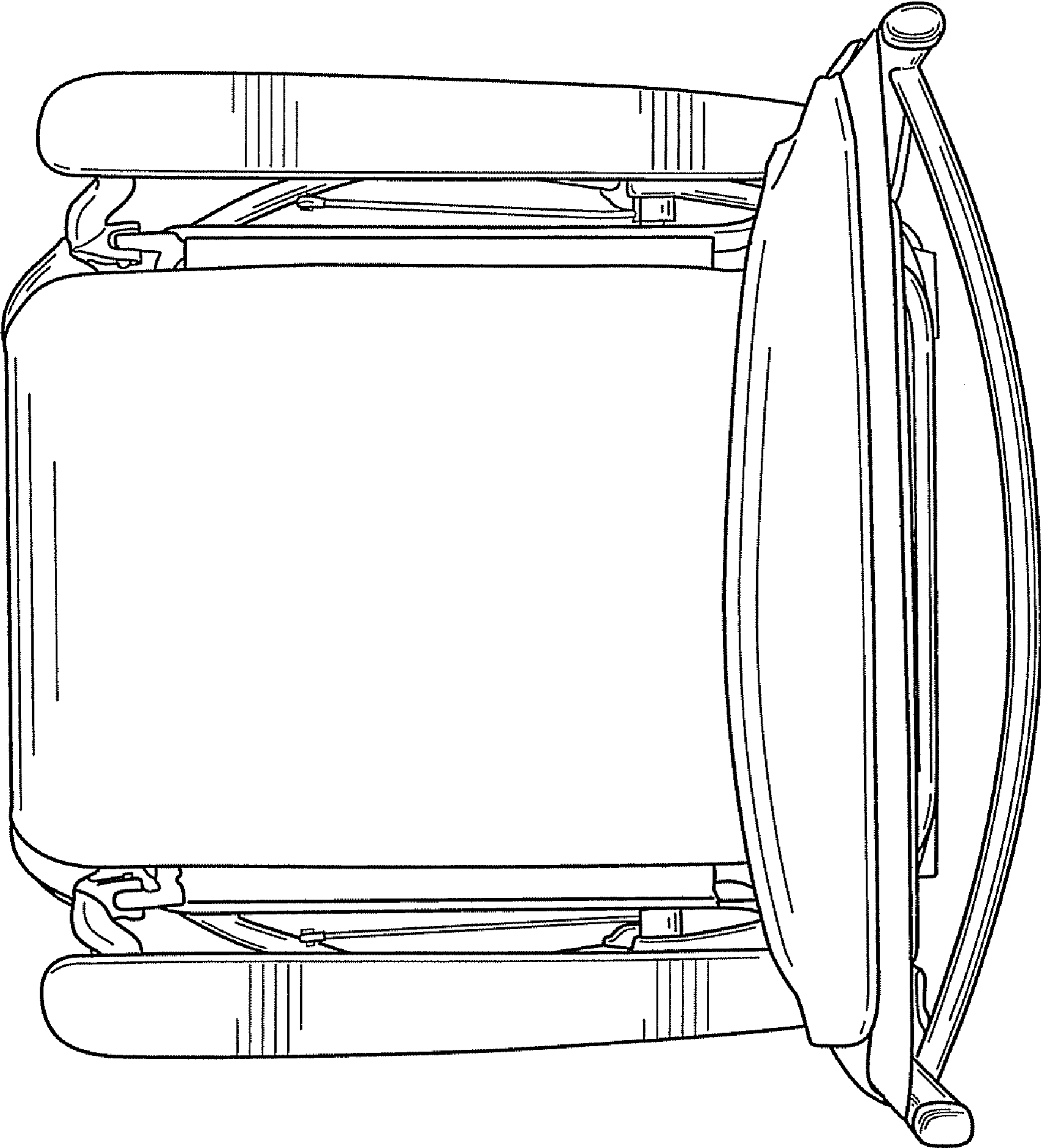


FIG. 7

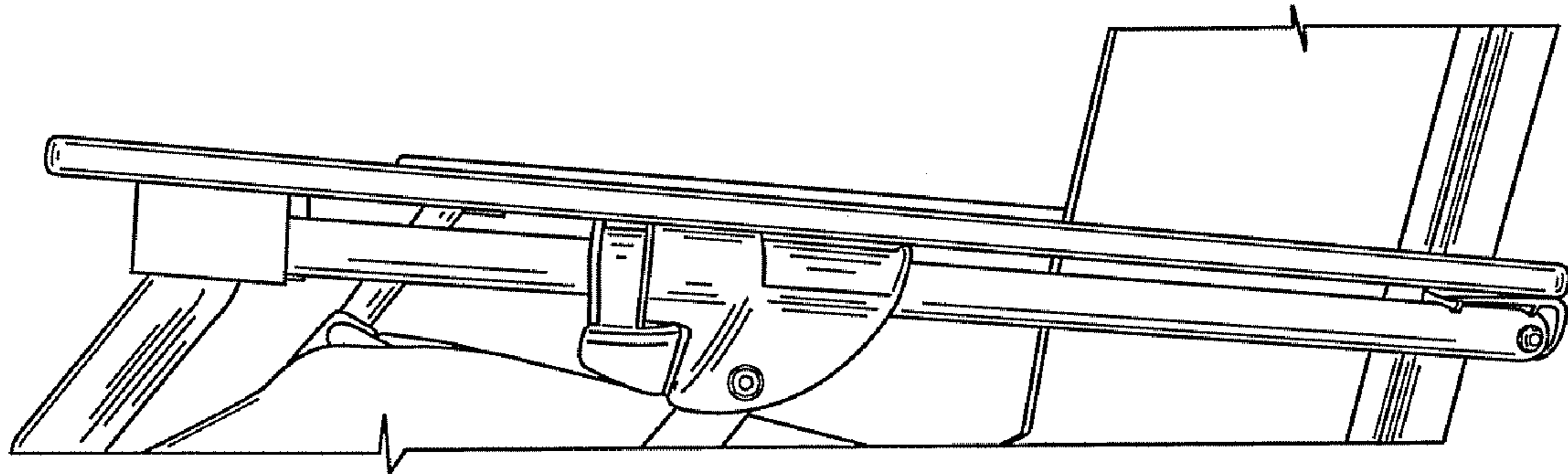


FIG. 8

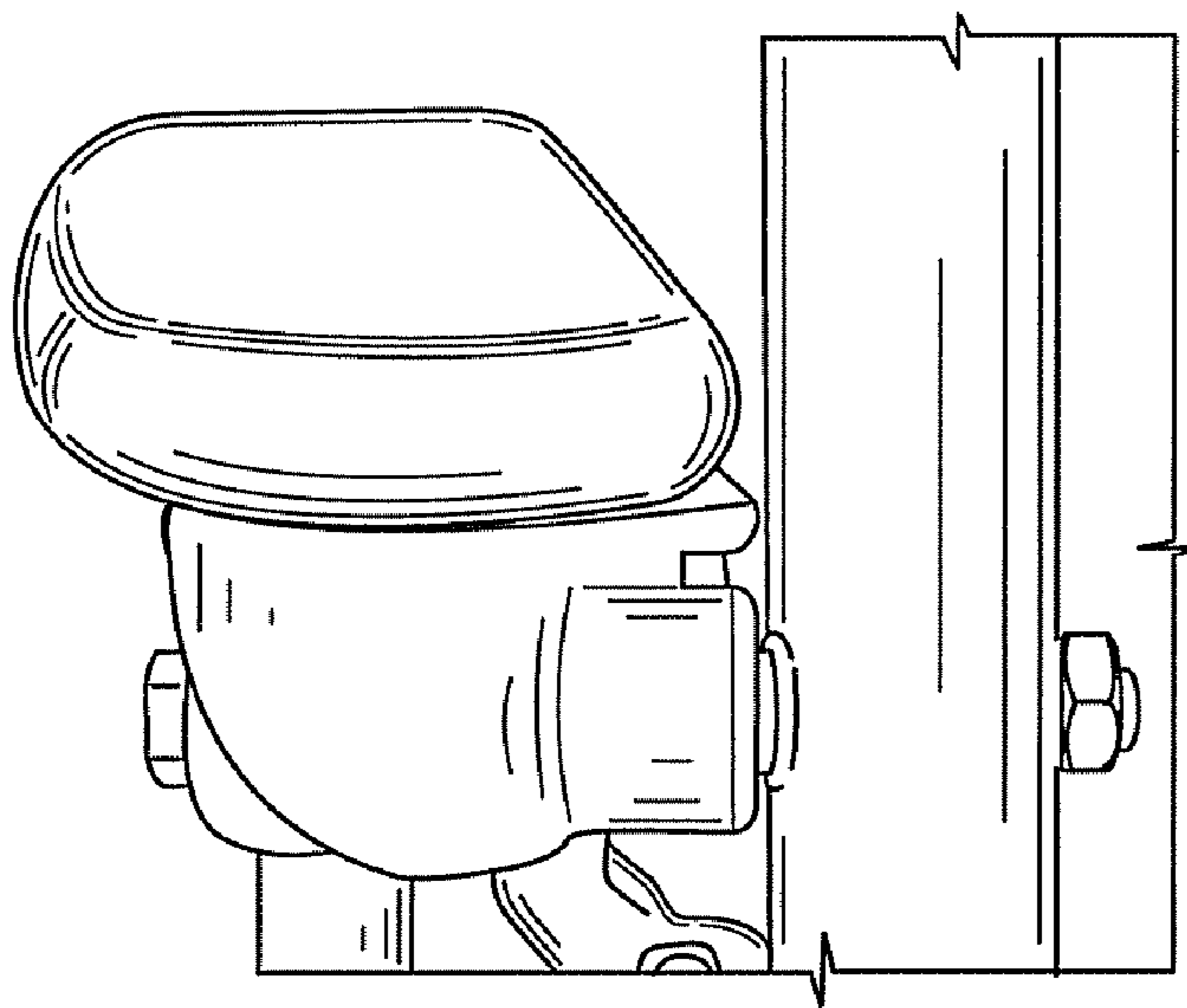


FIG. 9

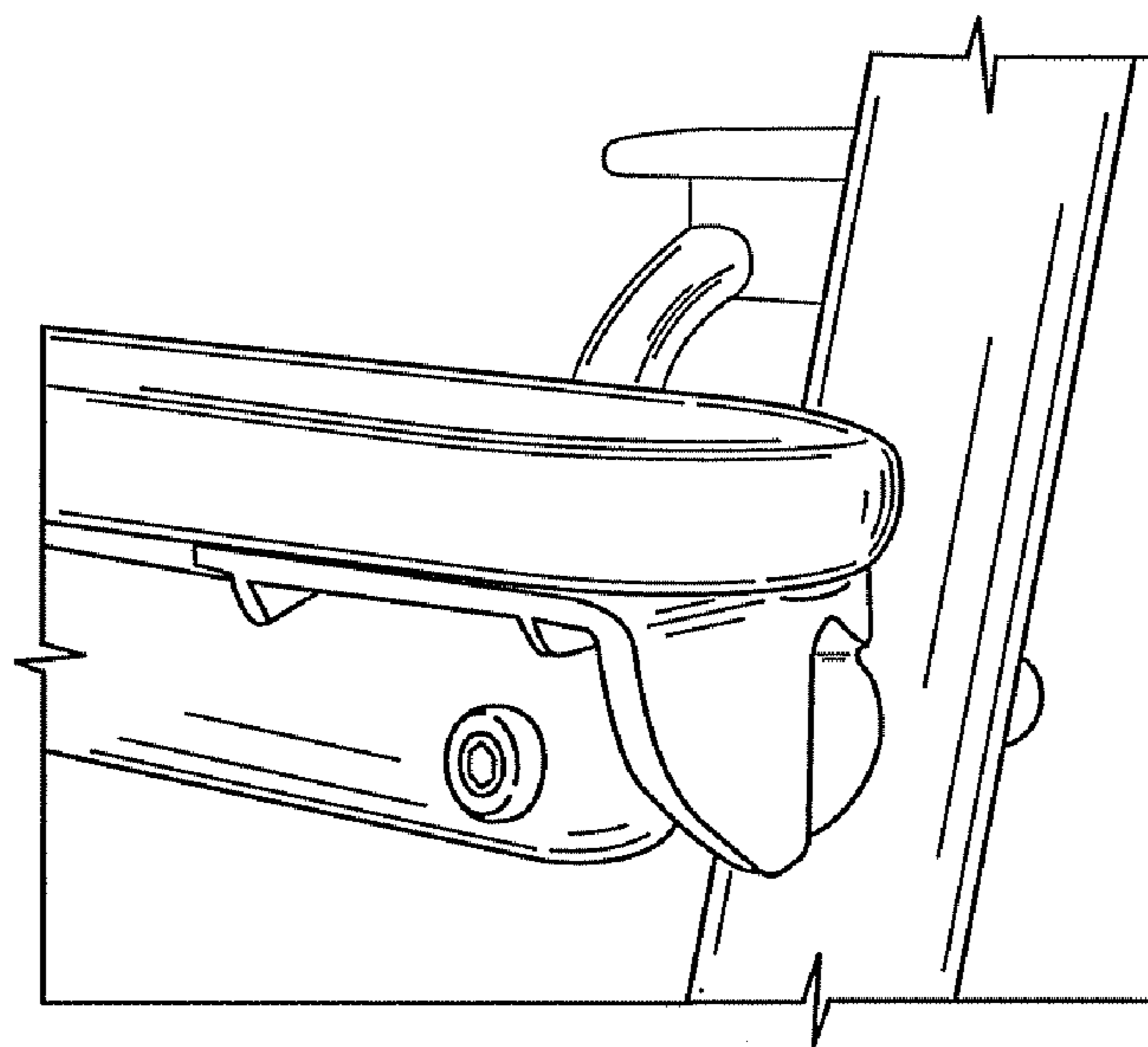


FIG. 10

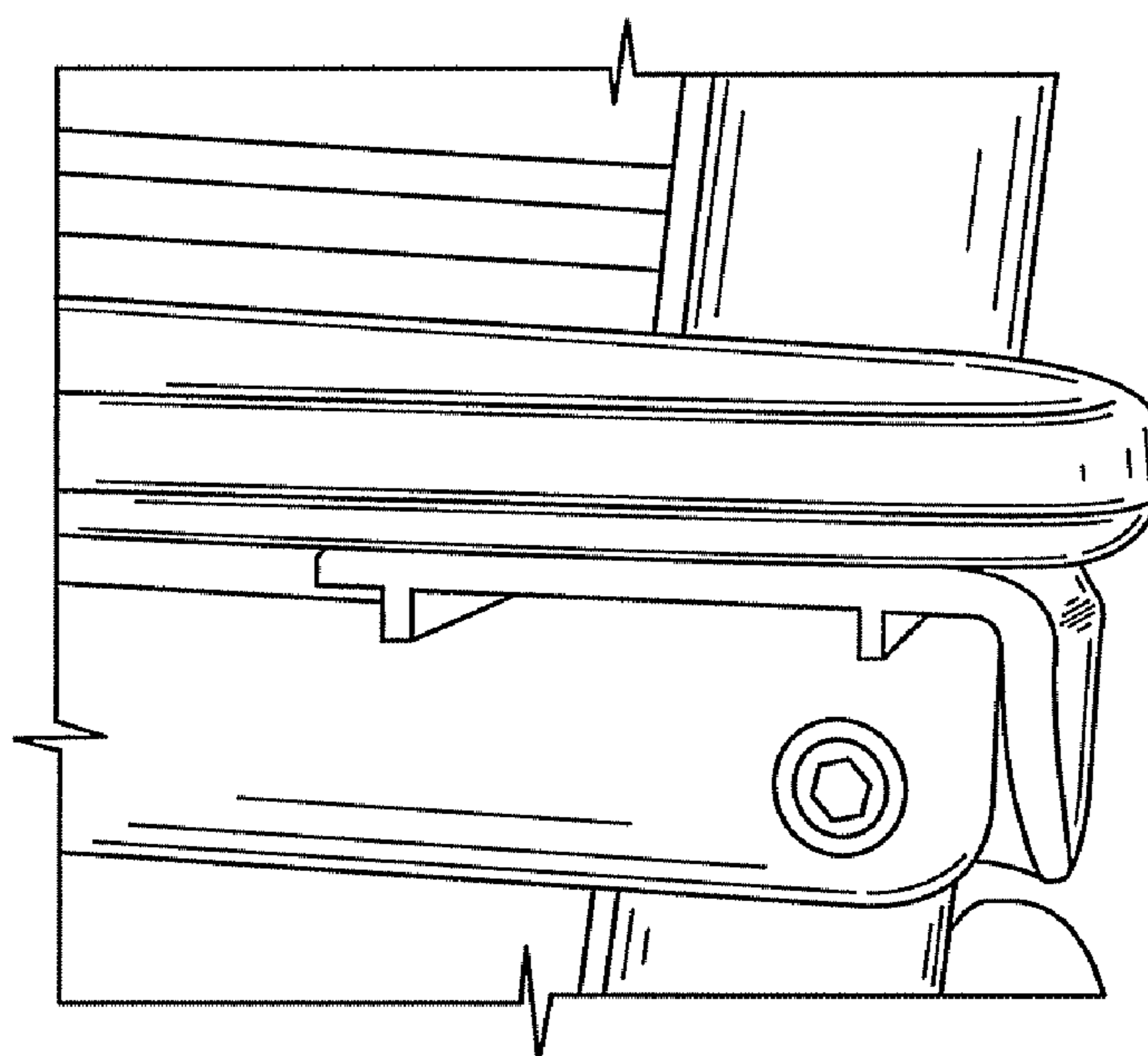


FIG. 11