



US00D580671S

(12) **United States Design Patent**
Aoki et al.

(10) **Patent No.:** **US D580,671 S**

(45) **Date of Patent:** **** Nov. 18, 2008**

(54) **ELECTRIC MASSAGING CHAIR**

(75) Inventors: **Motohiro Aoki**, Kadoma (JP); **Etsushi Muramatsu**, Kadoma (JP); **Yoshiyuki Miyake**, Kadoma (JP); **Jyunichi Yamada**, Tokyo (JP); **Nobutaka Katou**, Tokyo (JP)

(73) Assignee: **Panasonic Electric Works IP Center Co., Ltd.**, Osaka (JP)

(**) Term: **14 Years**

(21) Appl. No.: **29/289,333**

(22) Filed: **Jul. 16, 2007**

(30) **Foreign Application Priority Data**

Jan. 16, 2007 (JP) 2007-000561

(51) **LOC (8) Cl.** **06-01**

(52) **U.S. Cl.** **D6/367**

(58) **Field of Classification Search** D6/367,
D6/370, 334-336, 358, 364-366, 372-375,
D6/379, 356, 498, 500-502; 297/411.2,
297/411.27, 411.28, 411.36, 452.29, 284.4,
297/452.3

See application file for complete search history.

(56) **References Cited**

U.S. PATENT DOCUMENTS

D502,607 S * 3/2005 Miyake et al. D6/335
D537,262 S * 2/2007 Lifeng D6/367
D537,642 S * 3/2007 Potter D6/367
D537,643 S * 3/2007 Miyake D6/367
D537,644 S * 3/2007 Kawamura D6/367
D537,645 S * 3/2007 Murata et al. D6/367
D537,646 S * 3/2007 Potter et al. D6/367
D538,056 S * 3/2007 Lifeng D6/367
D540,053 S * 4/2007 Kimoto D6/367

D541,065 S * 4/2007 Florez et al. D6/367
D544,224 S * 6/2007 Zhuo D6/367
D548,995 S * 8/2007 Ng D6/367
D549,972 S * 9/2007 Garcia D6/348
D550,468 S * 9/2007 Ng D6/367
D555,369 S * 11/2007 Smith D6/334
D557,029 S * 12/2007 Potter D6/367
D558,468 S * 1/2008 Lade D6/334
D562,575 S * 2/2008 Le D6/336
2006/0012234 A1 * 1/2006 Collias 297/423.38

* cited by examiner

Primary Examiner—Robert M. Spear

Assistant Examiner—Katrina A Kile

(74) *Attorney, Agent, or Firm*—Osha • Liang LLP

(57) **CLAIM**

The ornamental design for an electric massaging chair, as shown and described.

DESCRIPTION

FIG. 1 is a perspective view of the top, front and left side of an electric massaging chair showing our new design;

FIG. 2 is a left side view thereof, the right side view being mirror image thereof;

FIG. 3 is a front view thereof;

FIG. 4 is a rear view thereof;

FIG. 5 is a top plan view thereof;

FIG. 6 is a bottom view thereof;

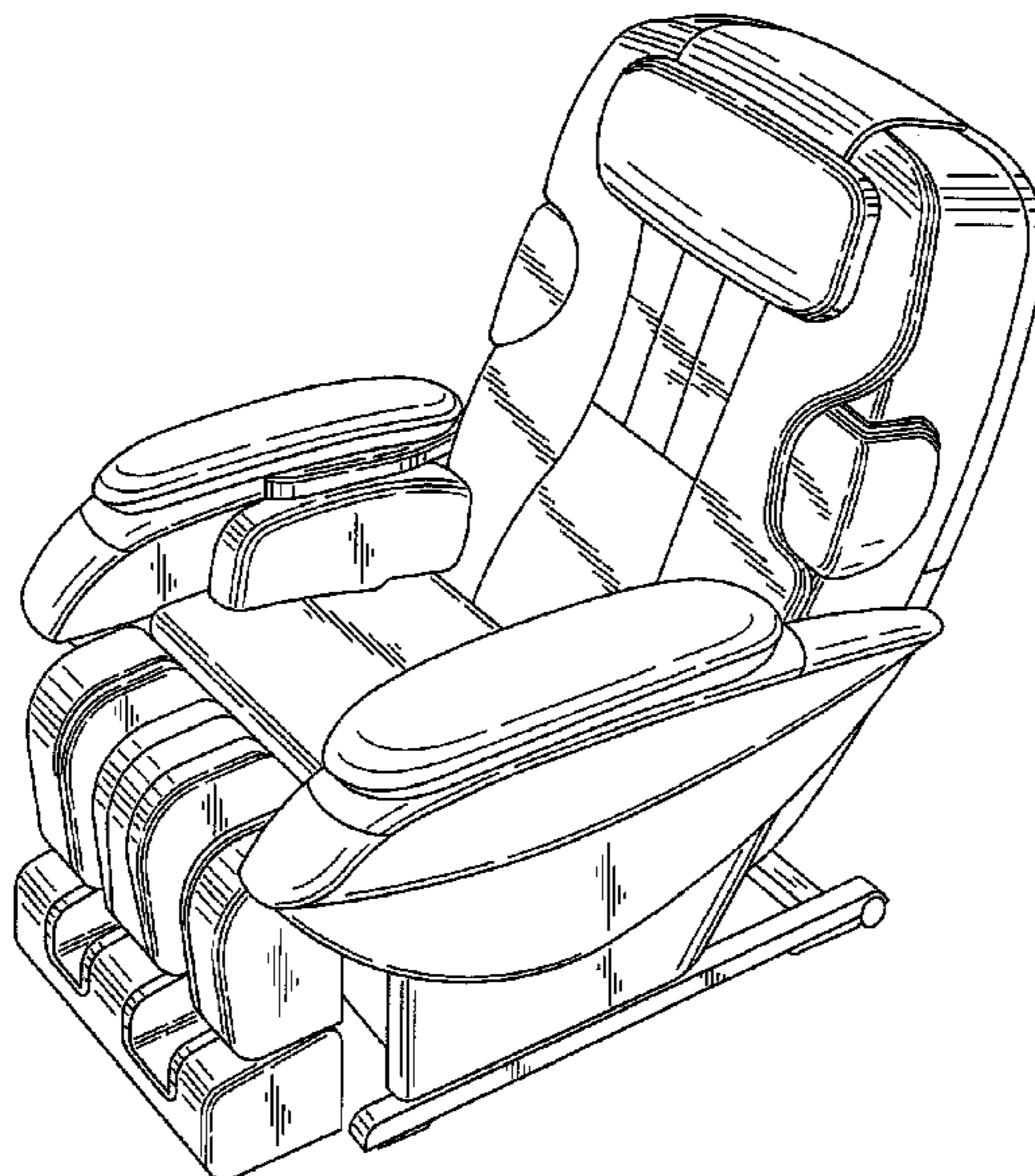
FIG. 7 is a top plan reference view showing the sectioned position;

FIG. 8 is a cross sectional view at 8—8 in FIG. 7 omitting interior mechanism;

FIG. 9 is a front reference view showing movable range; and,

FIG. 10 is a top plan reference view showing movable range.

1 Claim, 10 Drawing Sheets



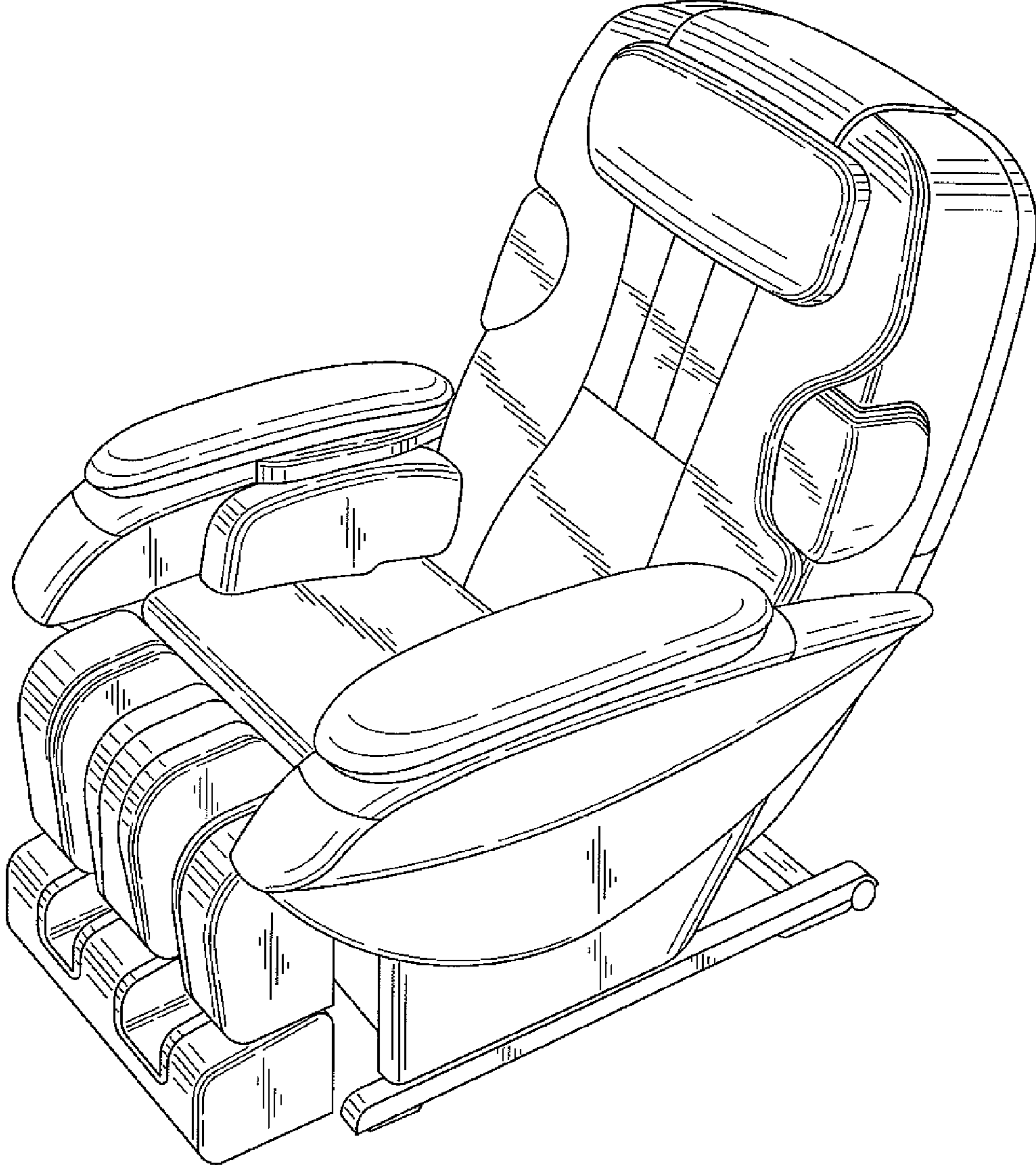


FIG. 1

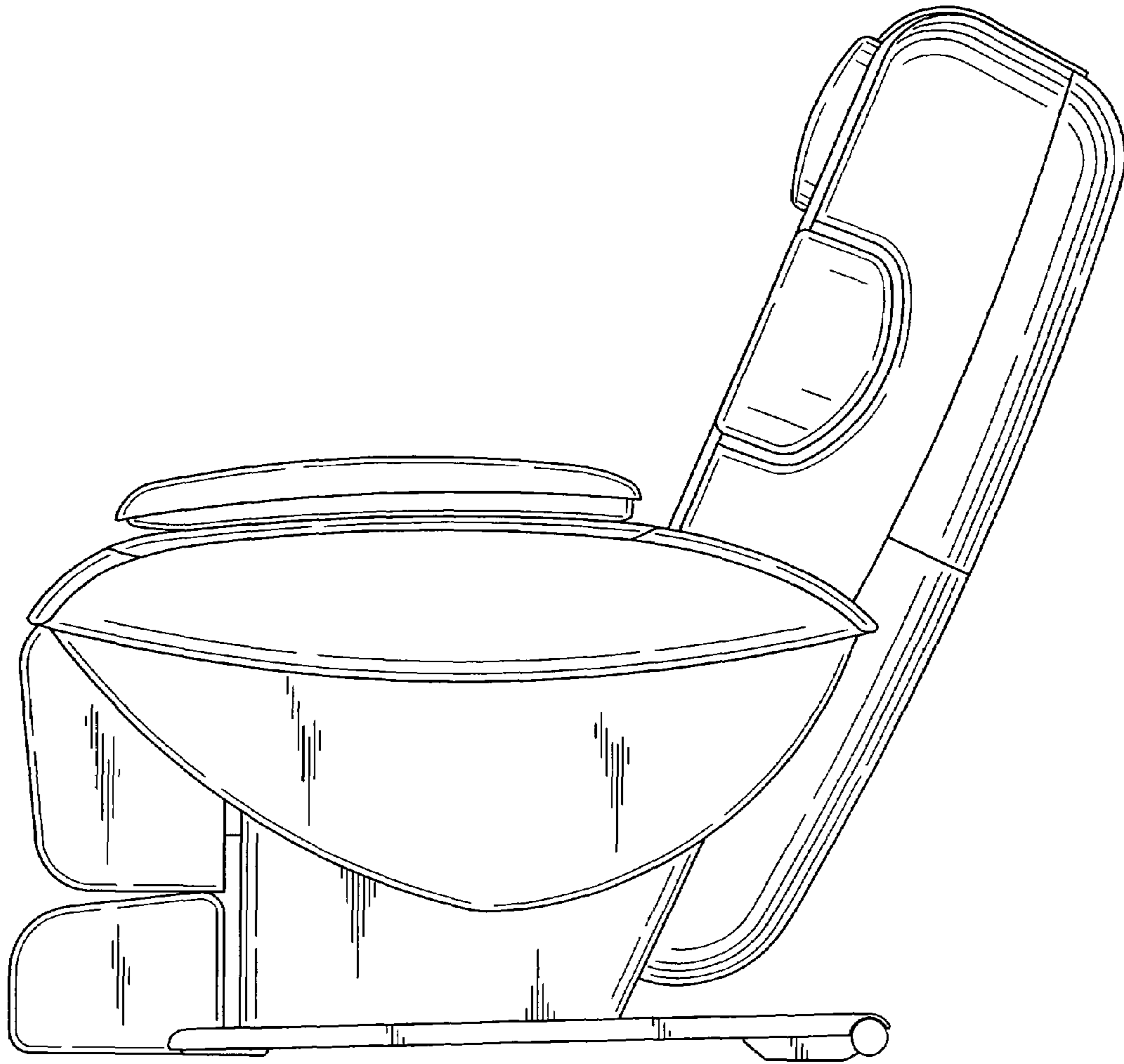


FIG. 2

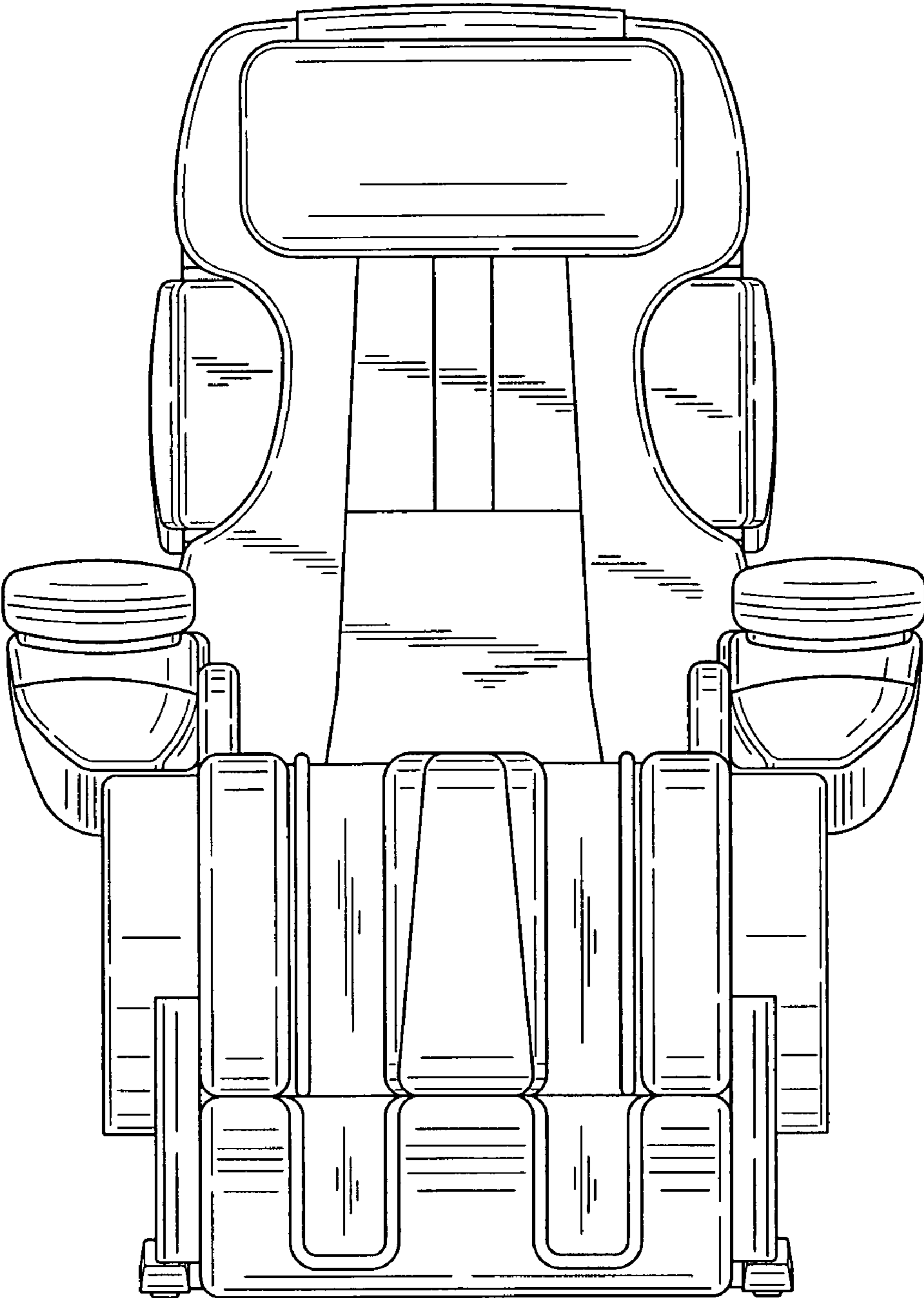


FIG. 3

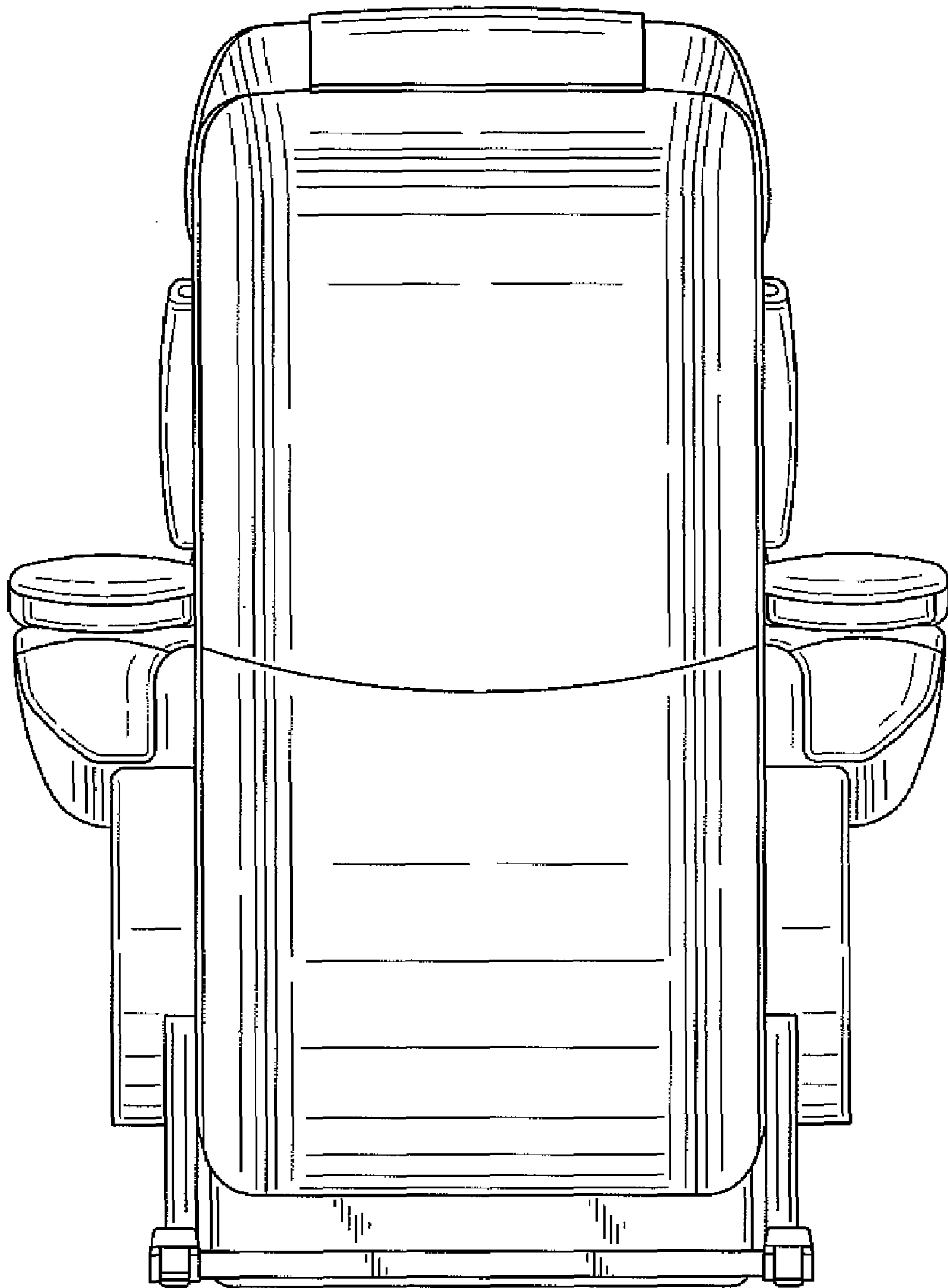


FIG. 4

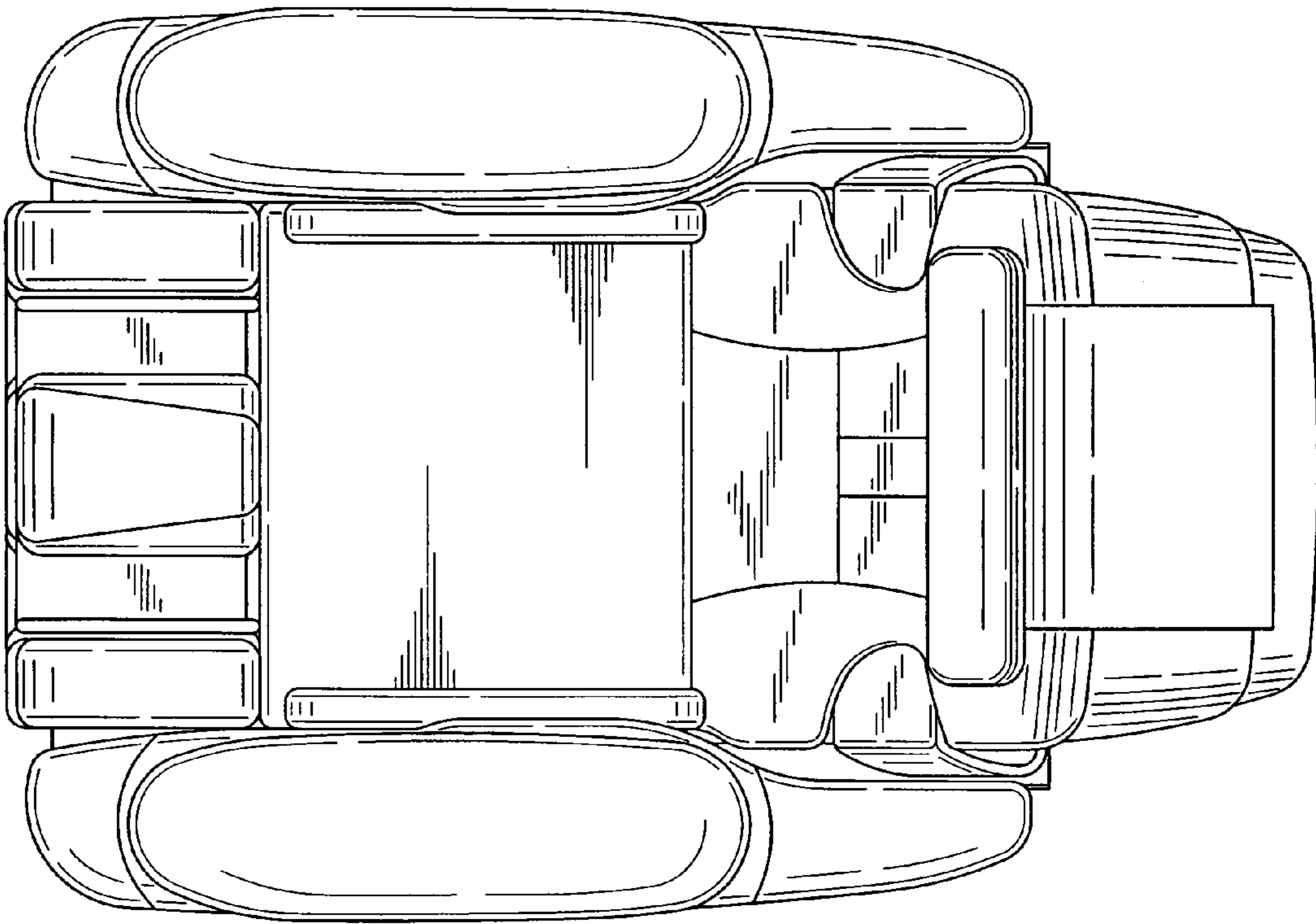


FIG. 5

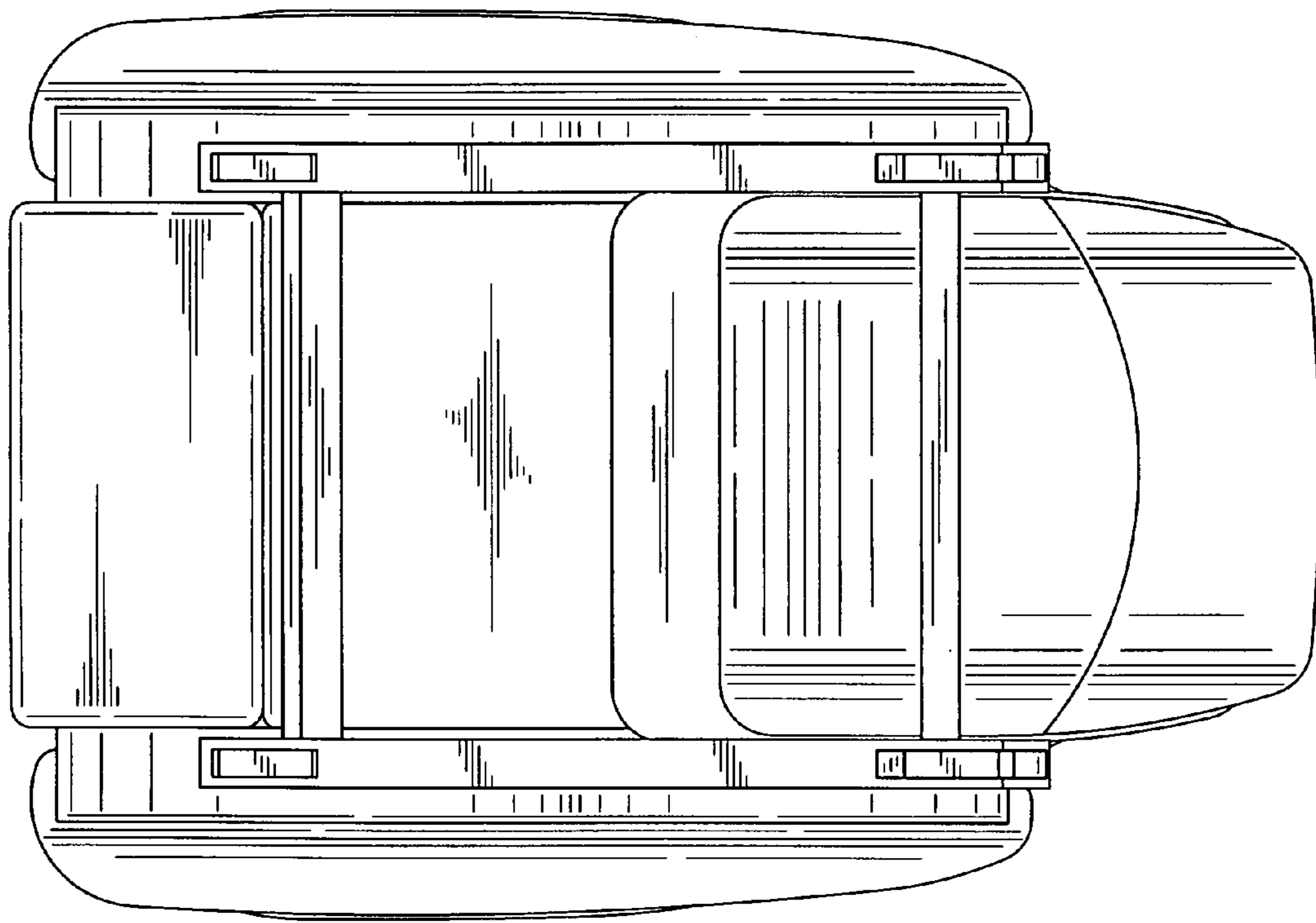


FIG. 6

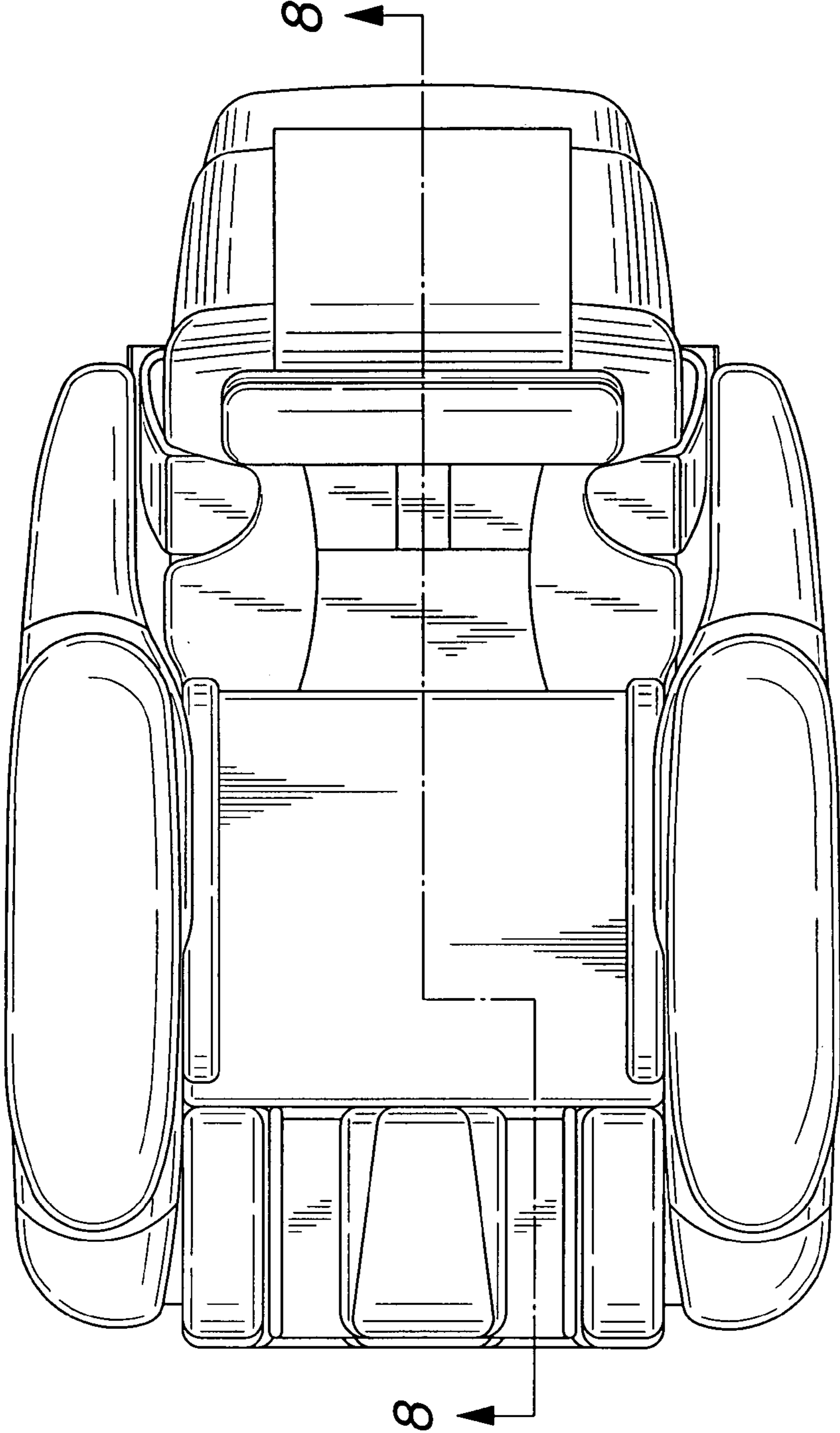


FIG. 7

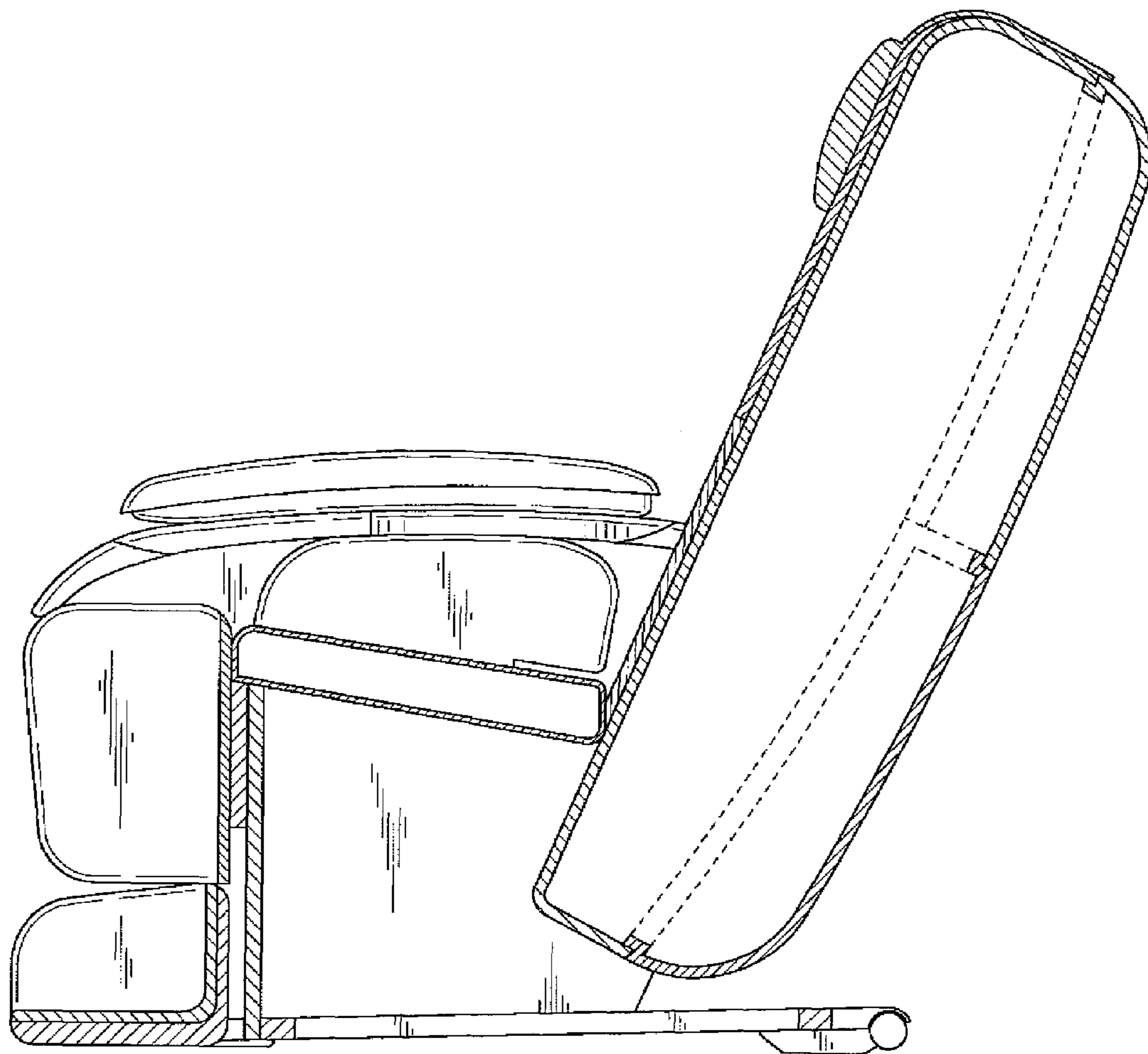


FIG. 8

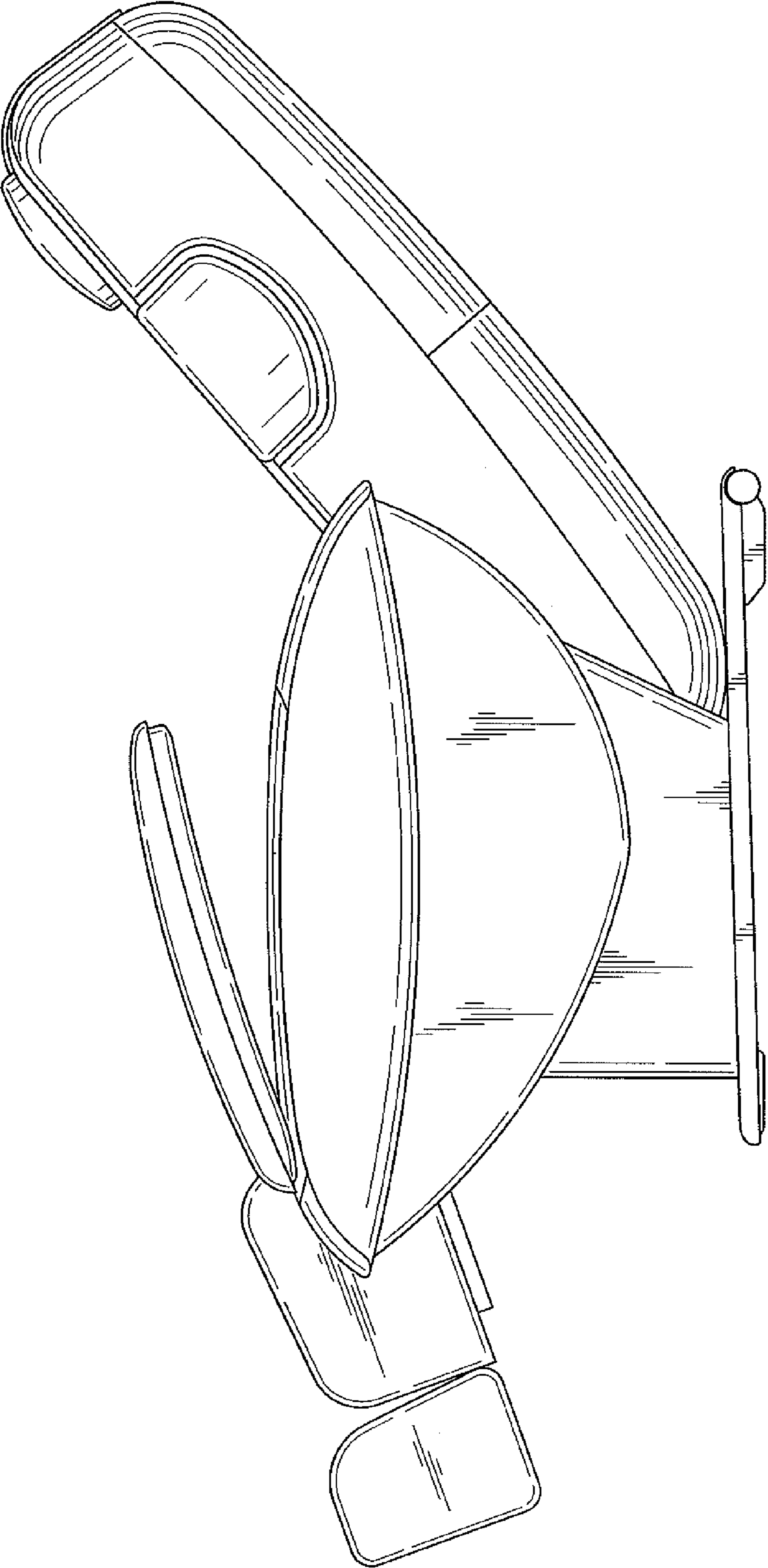


FIG. 9

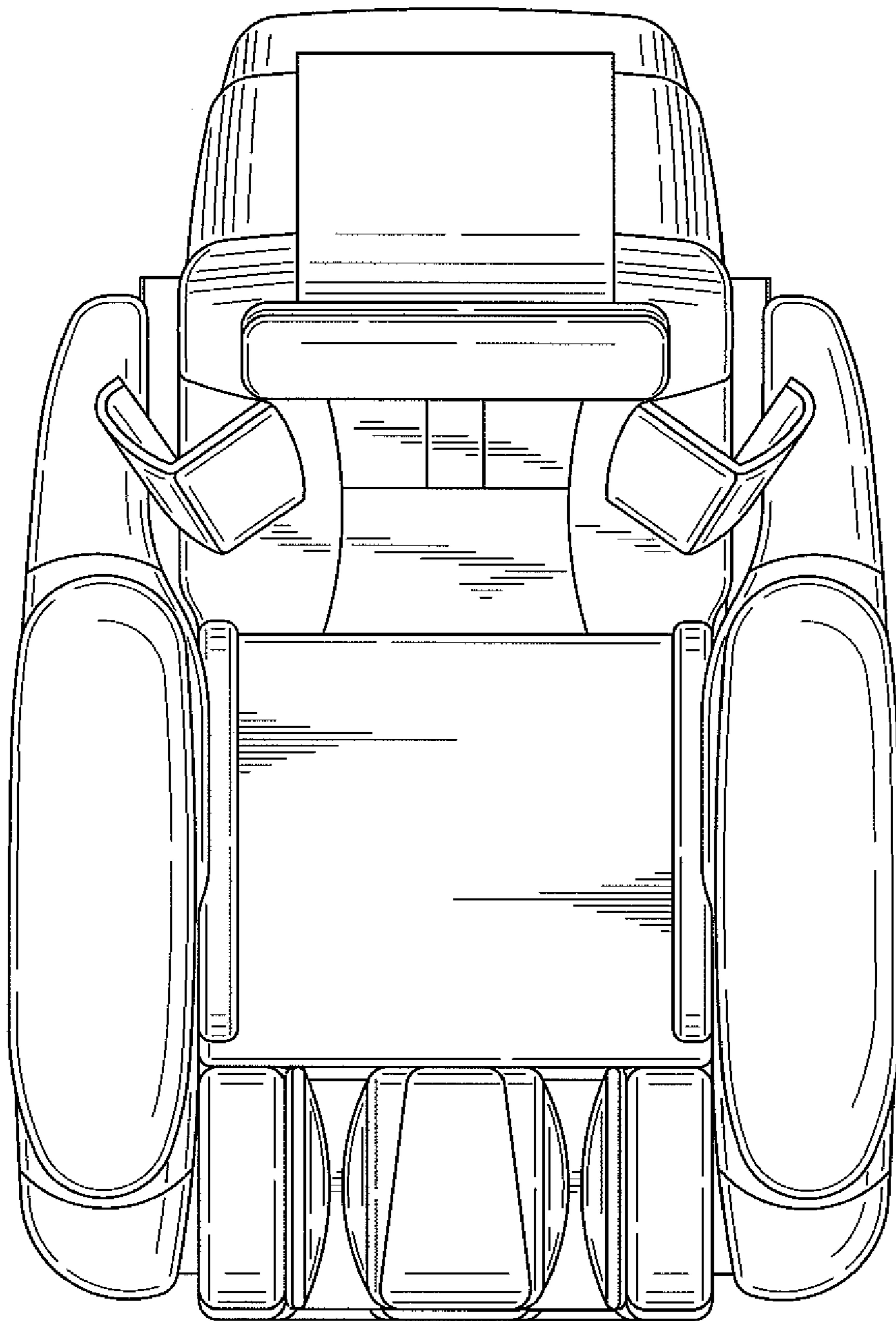


FIG. 10

UNITED STATES PATENT AND TRADEMARK OFFICE
CERTIFICATE OF CORRECTION

PATENT NO. : D580,671 S
APPLICATION NO. : 29/289333
DATED : November 18, 2008
INVENTOR(S) : M. Aoki et al.

Page 1 of 2

It is certified that error appears in the above-identified patent and that said Letters Patent is hereby corrected as shown below:

On the cover page item (75) Inventors (line 1) replace “Kadoma” with --Yokohama--.

On the cover page item (75) Inventors (line 2) replace “Kadoma” with --Yokohama--.

On the cover page item (75) Inventors (line 3) replace “Kadoma” with --Osaka--.

On the cover page item (75) Inventors (line 4) replace “Tokyo” with --Hidaka--.

On the cover page item (75) Inventors (line 5) replace “Tokyo” with --Yokohama--.

On the cover page Description (lines 1-14) replace
“FIG. 1 is a perspective view of the top, front and left side of an electric
massaging chair showing our new design;

FIG. 2 is a left side view thereof, the right side view being mirror image
thereof;

FIG. 3 is a front view thereof;

FIG. 4 is a rear view thereof;

FIG. 5 is a top plan view thereof;

FIG. 6 is a bottom view thereof;

FIG. 7 is a top plan reference view showing the sectioned position;

FIG. 8 is a cross sectional view at 8-8 in FIG. 7 omitting interior
mechanism;

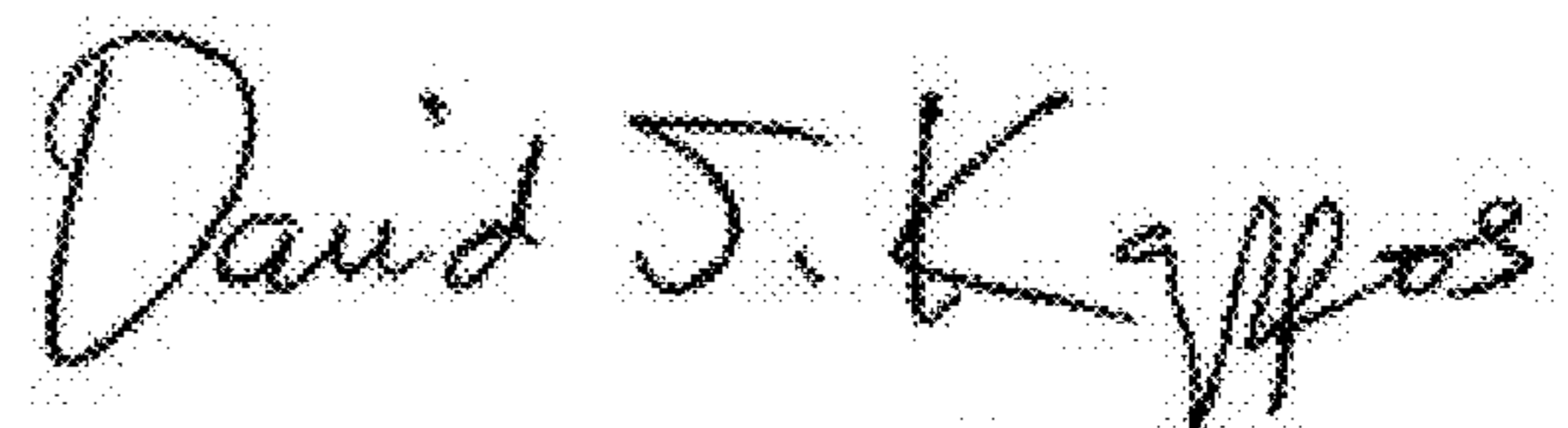
FIG. 9 is a front reference view showing movable range; and

FIG. 10 is a top plan reference view showing movable range”.

with

--FIG. 1 is a perspective view of the top, front and left side of an electric
massaging chair showing our new design;

Signed and Sealed this
Twelfth Day of April, 2011



David J. Kappos
Director of the United States Patent and Trademark Office

FIG. 2 is a front view thereof, the rear view being mirror image thereof;
FIG. 3 is a left side view thereof;
FIG. 4 is a right side view thereof;
FIG. 5 is a top plan view thereof;
FIG. 6 is a bottom view thereof;
FIG. 7 is a top plan reference view showing the sectioned position;
FIG. 8 is a cross sectional view at 8-8 in FIG. 7 omitting interior
mechanism;
FIG. 9 is a front reference view showing an alternate position thereof; and
FIG. 10 is a top plan reference view showing an alternate position
thereof--.