



US00D580670S

(12) **United States Design Patent**
Weiss

(10) **Patent No.:** **US D580,670 S**

(45) **Date of Patent:** **** Nov. 18, 2008**

(54) **LOUNGE CHAIR**

(76) Inventor: **Per Weiss**, Innovation Randers A/S,
Blommevej 38, 8900 Randers (DK)

(**) Term: **14 Years**

(21) Appl. No.: **29/283,572**

(22) Filed: **Aug. 17, 2007**

(51) **LOC (8) Cl.** **06-01**

(52) **U.S. Cl.** **D6/361**

(58) **Field of Classification Search** D6/334-336,
D6/361, 364, 367, 368, 369, 370, 373, 374,
D6/375, 376, 379, 380, 381, 382, 383, 500-502;
297/232, 423.1, 445.1, 446.1; 5/12.1, 652
See application file for complete search history.

(56) **References Cited**

U.S. PATENT DOCUMENTS

D202,887 S	*	11/1965	Melchior	D6/361
D375,849 S	*	11/1996	Conrad	D6/382
D455,281 S	*	4/2002	Andersen et al.	D6/381
D455,282 S	*	4/2002	Andersen et al.	D6/381
D490,996 S	*	6/2004	Weiss et al.	D6/381
D545,075 S	*	6/2007	Hunziker	D6/361
D562,578 S	*	2/2008	Weiss	D6/361
D573,359 S	*	7/2008	Weiss	D6/335

* cited by examiner

Primary Examiner—Mimosa De

(74) *Attorney, Agent, or Firm*—Miles & Stockbridge PC;
James T. Carmichael

(57) **CLAIM**

The ornamental design for a lounge chair, as shown and described.

DESCRIPTION

FIG. 1 is a perspective view of the lounge chair showing the new design;

FIG. 2 is a front view thereof;

FIG. 3 is a left side view thereof;

FIG. 4 is a right side view thereof;

FIG. 5 is a top plan view thereof;

FIG. 6 is a bottom plan view thereof;

FIG. 7 is a back view thereof;

FIG. 8 is a perspective view thereof in a partially reclined position; and,

FIG. 9 is a perspective view thereof in a fully reclined position.

1 Claim, 2 Drawing Sheets

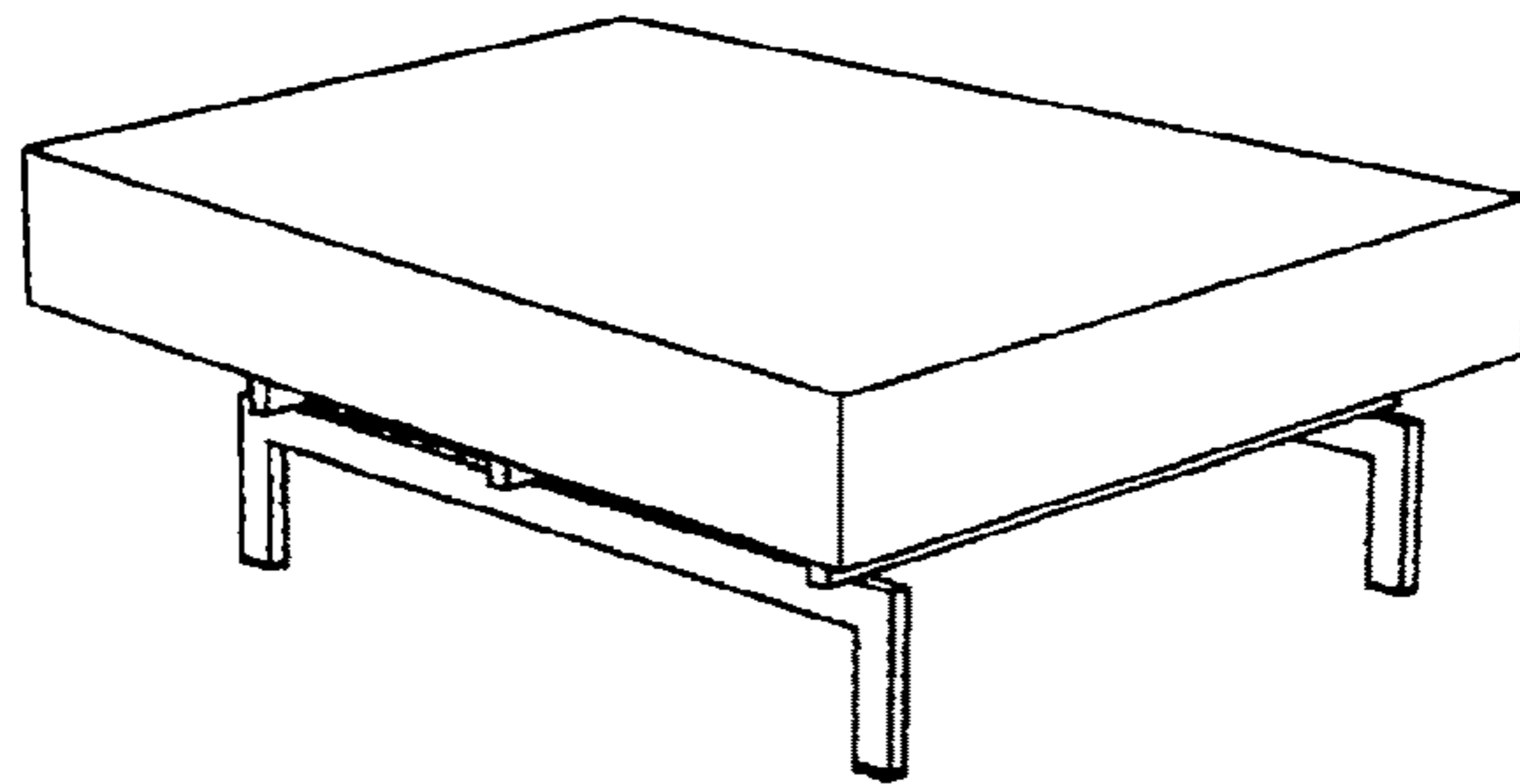
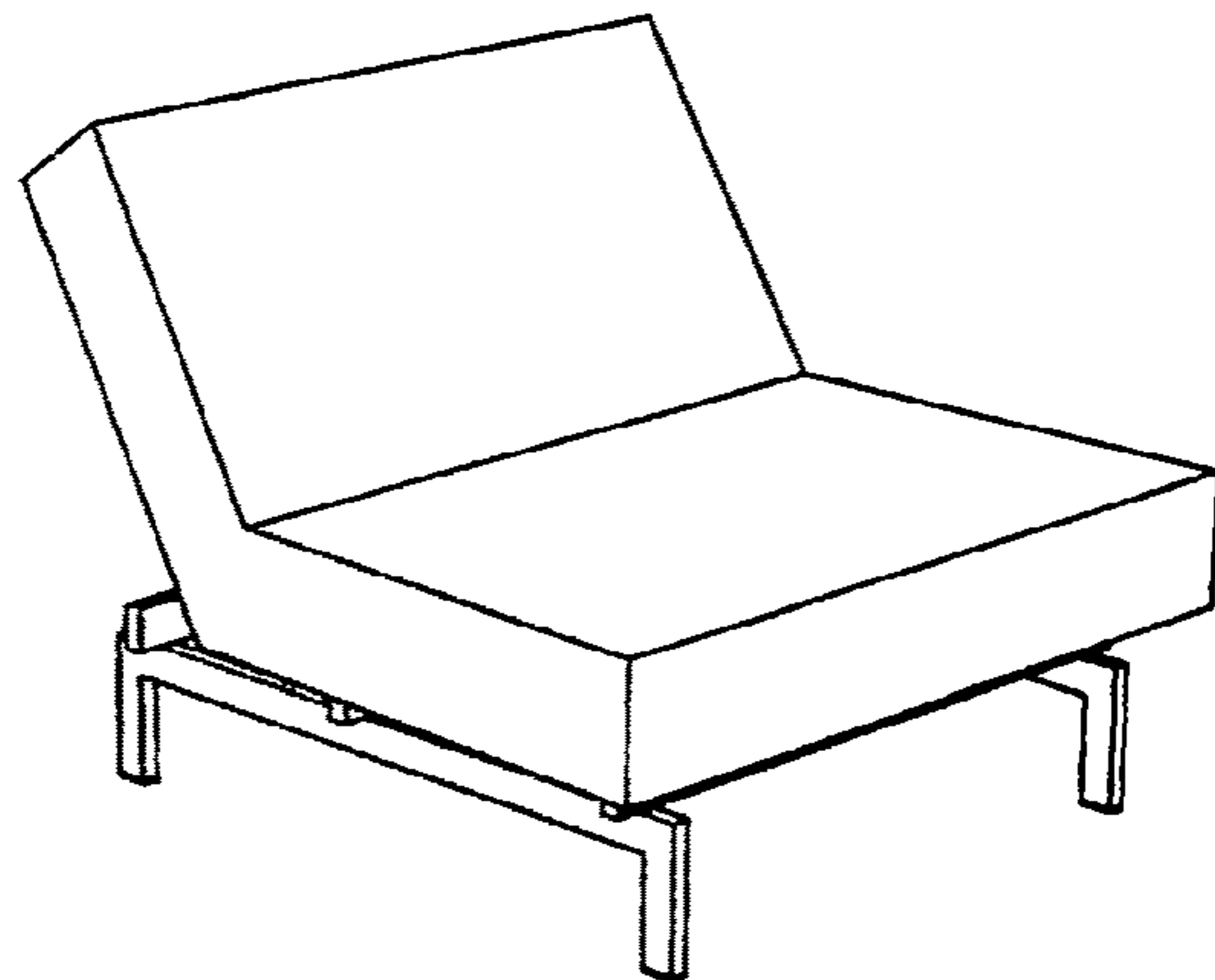


FIG. 8

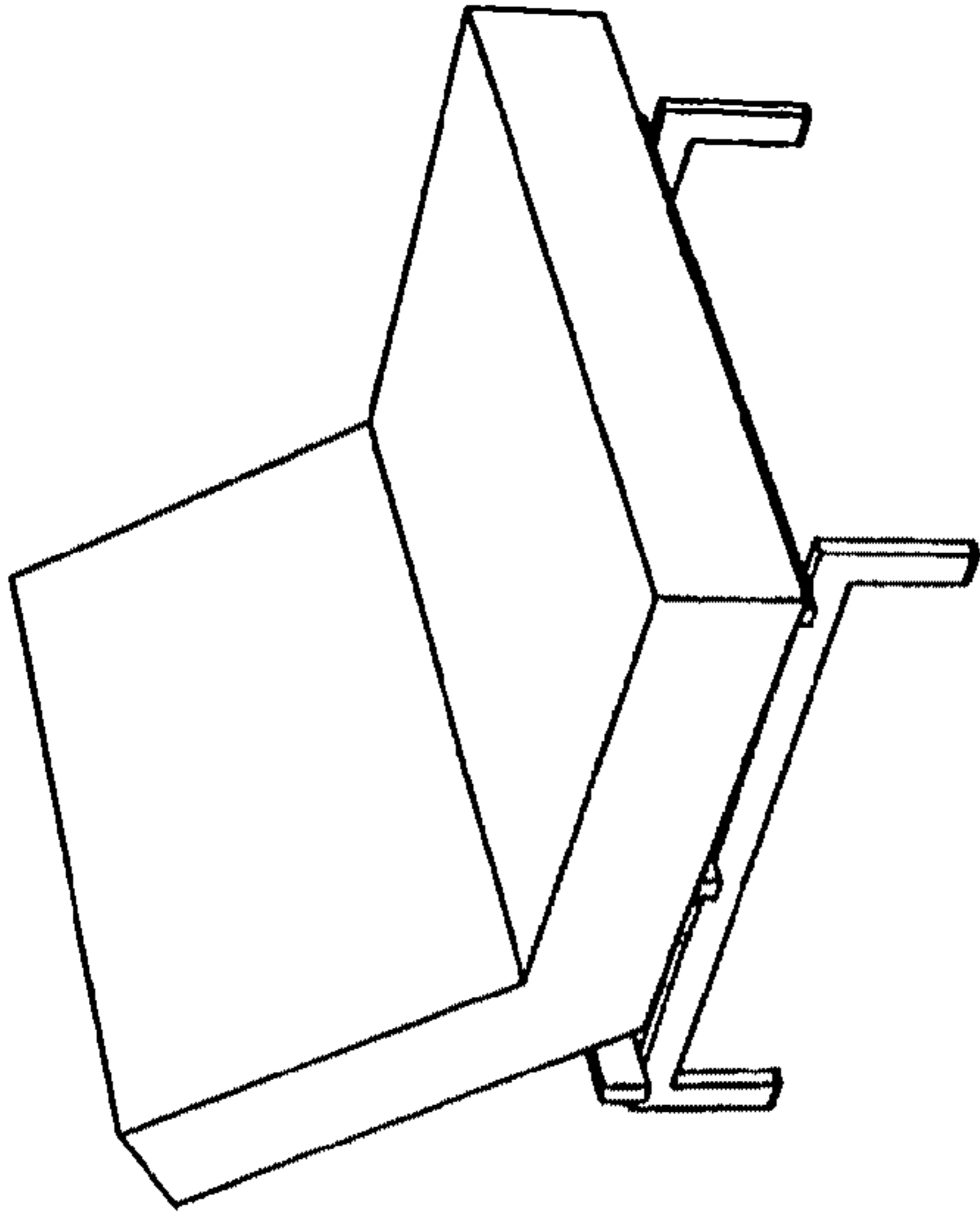


FIG. 1

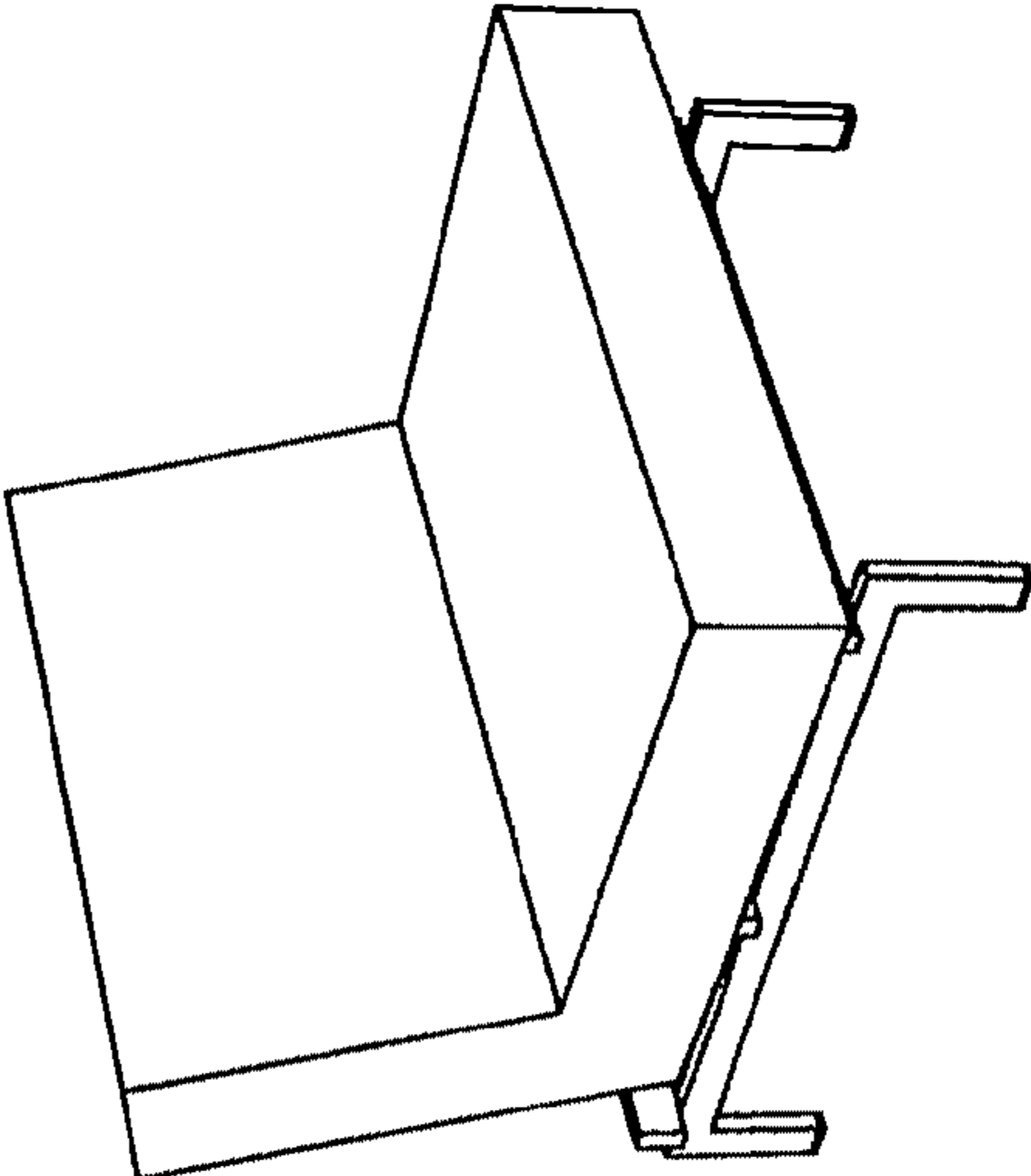


FIG. 9

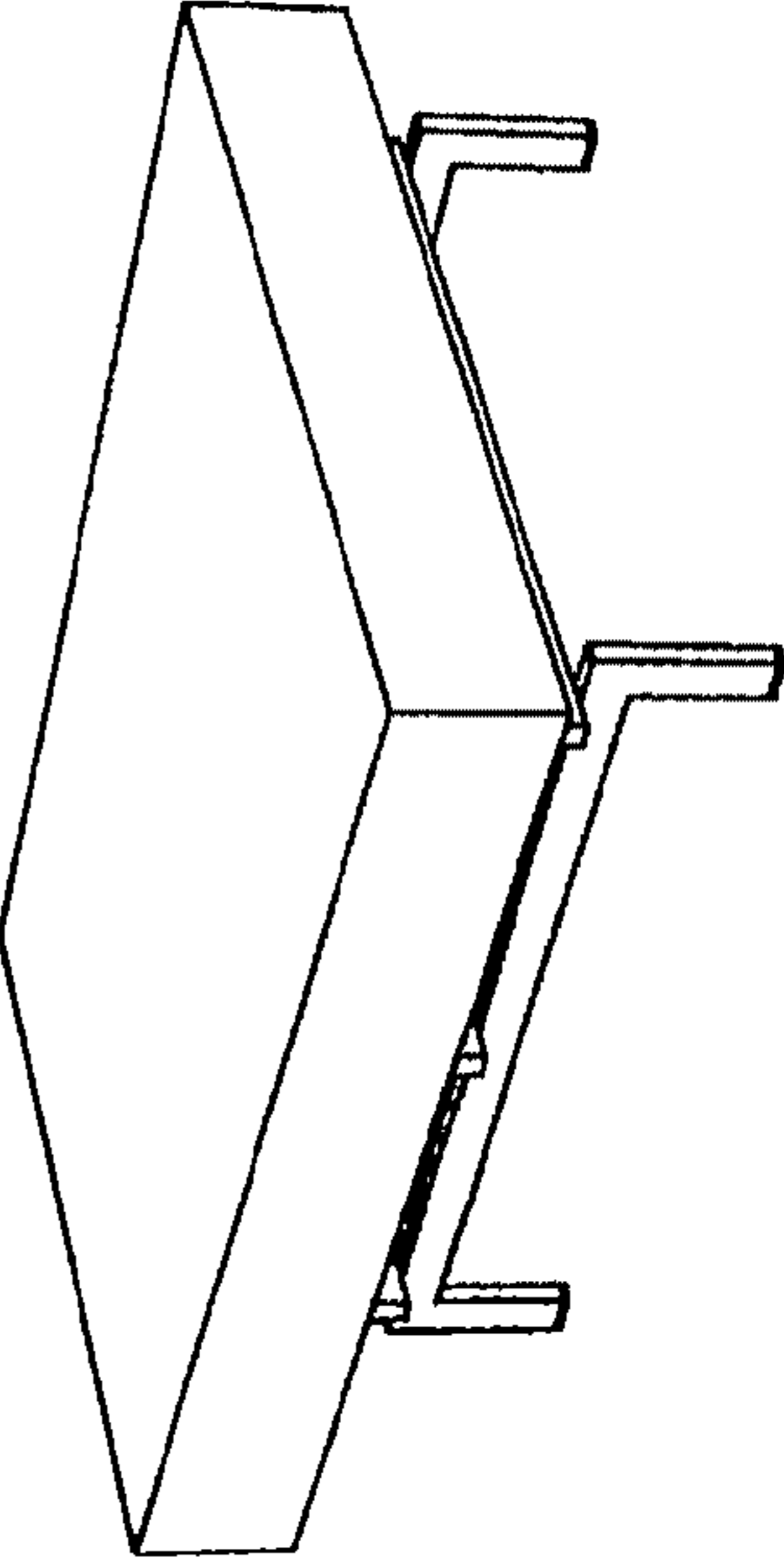


FIG. 2

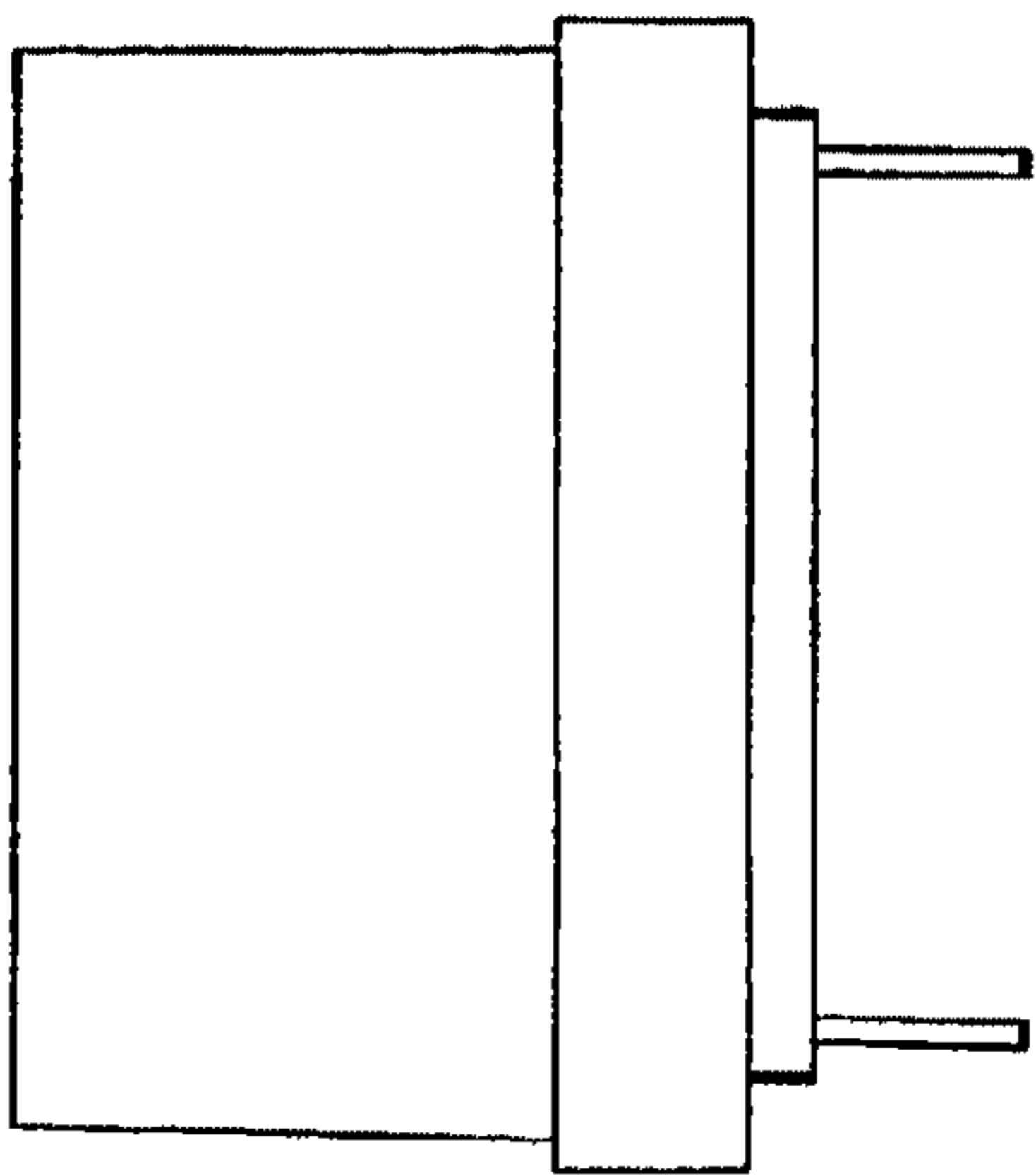


FIG. 3

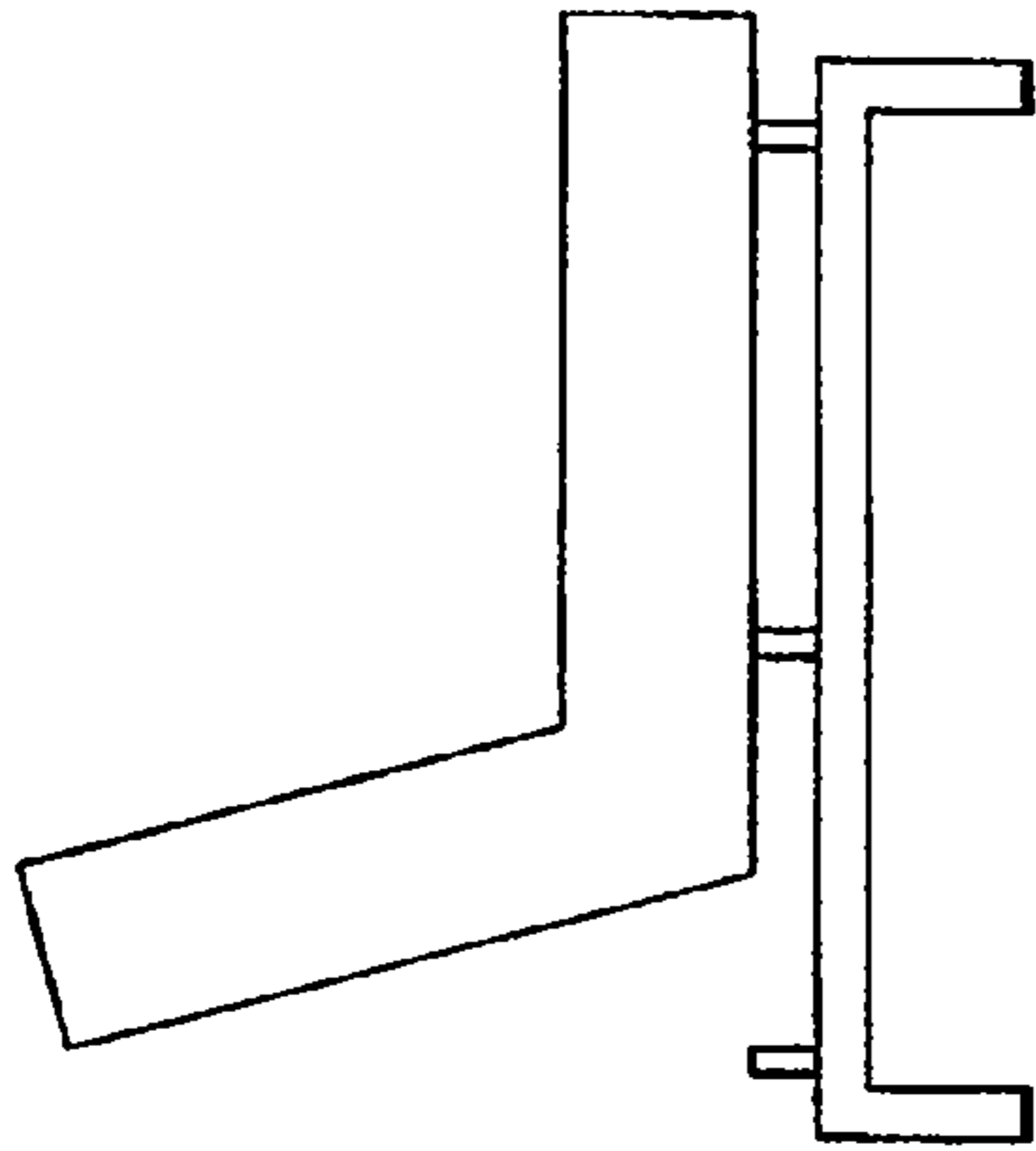


FIG. 4

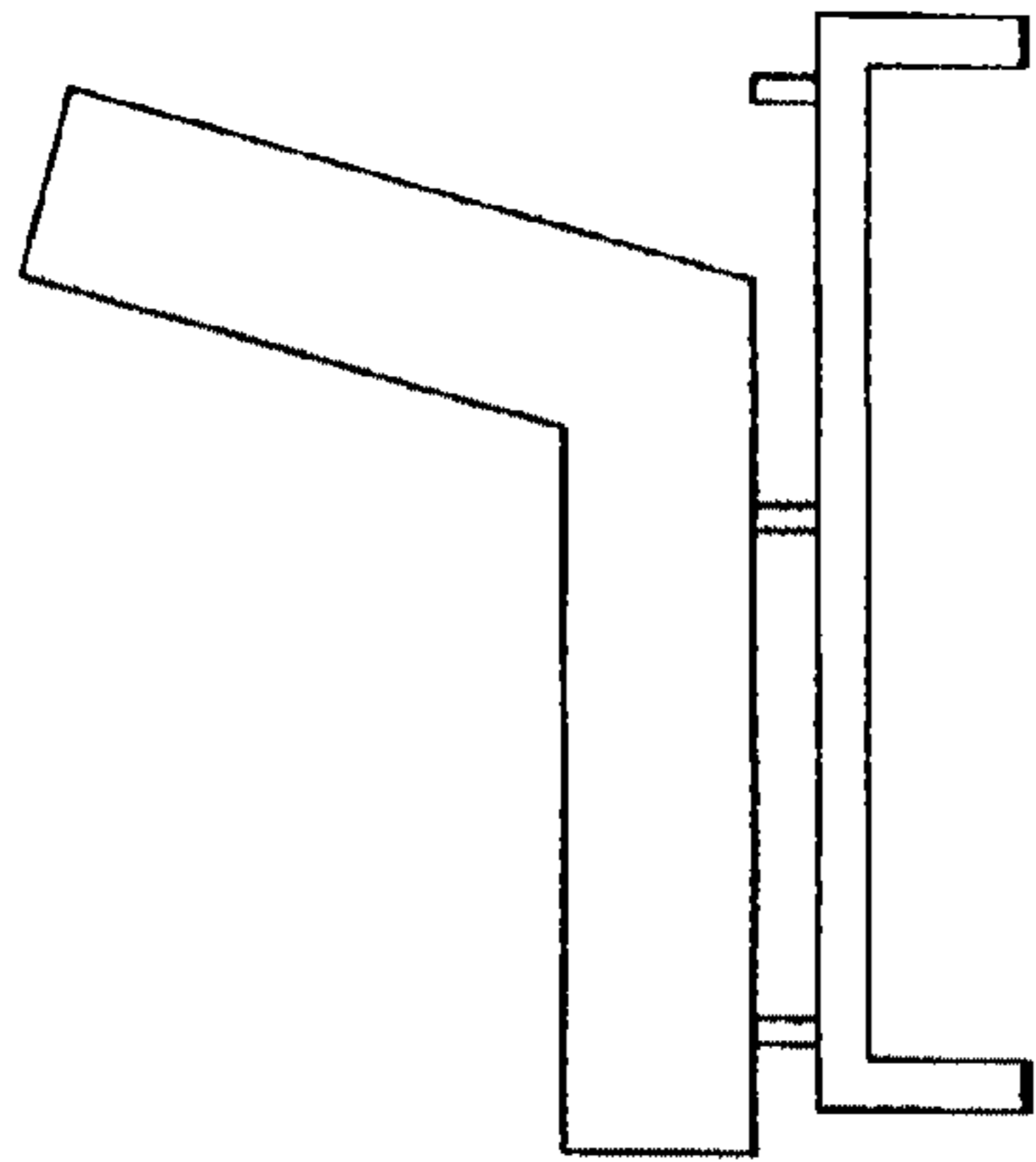


FIG. 5

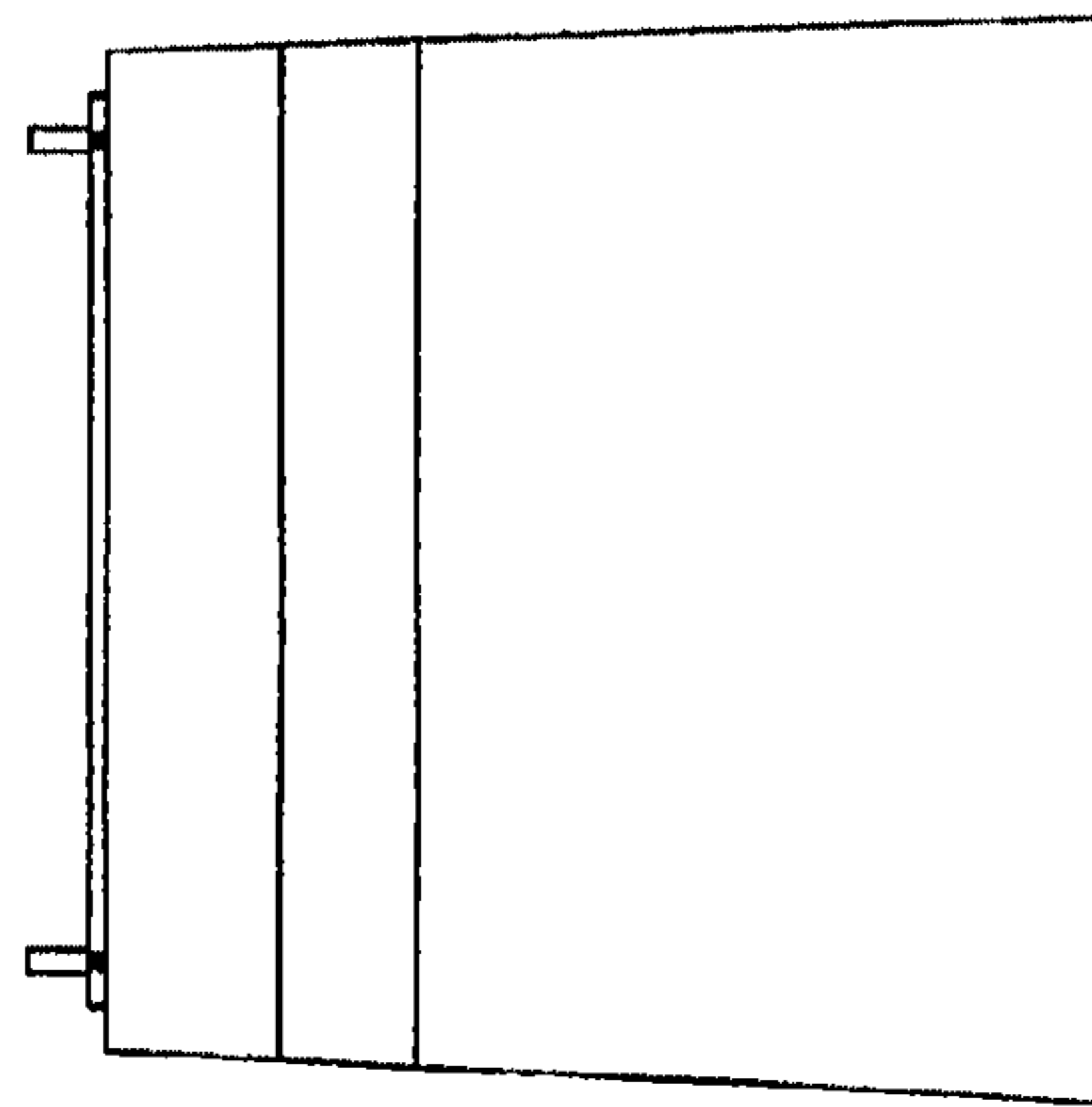


FIG. 6

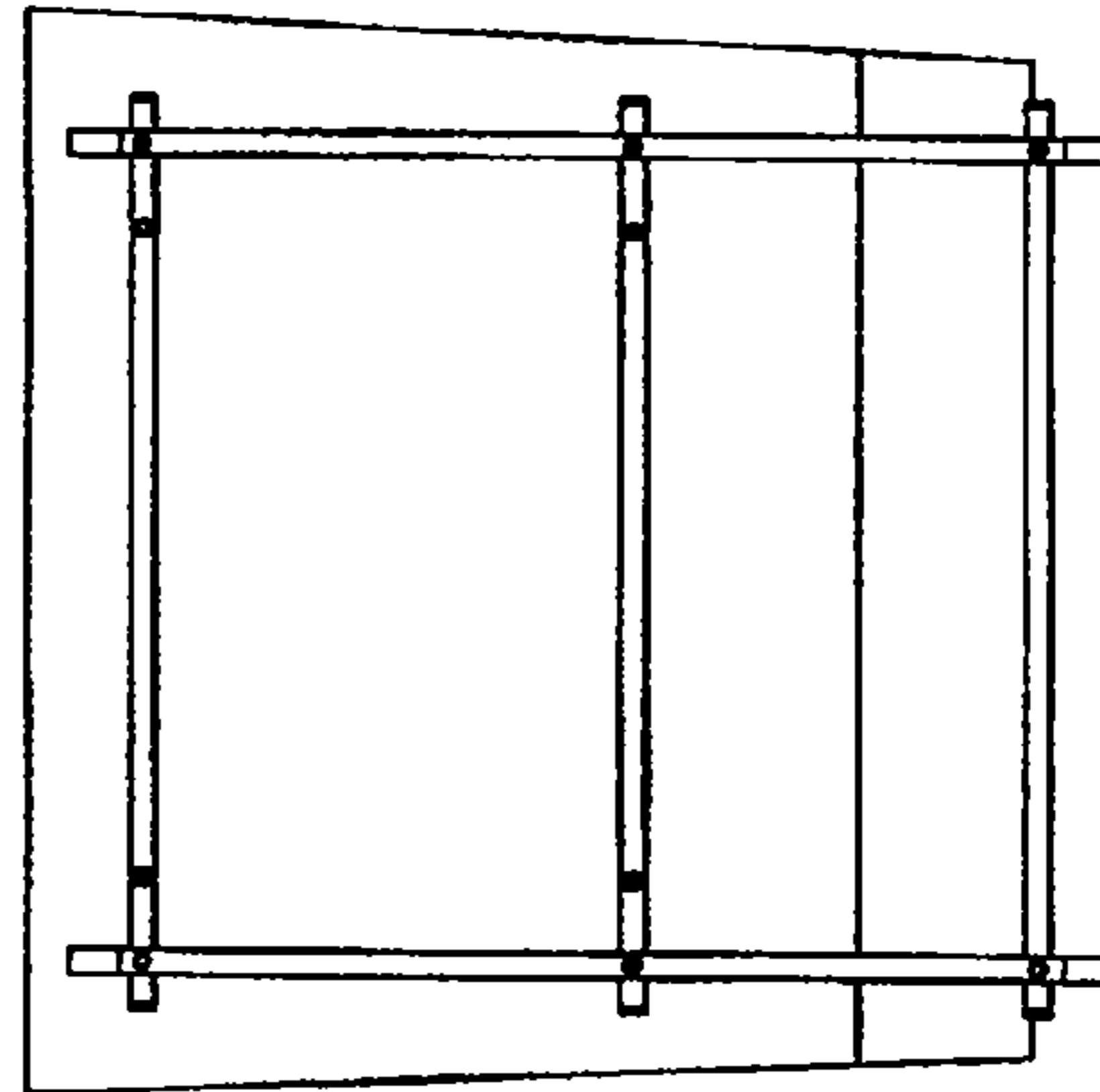
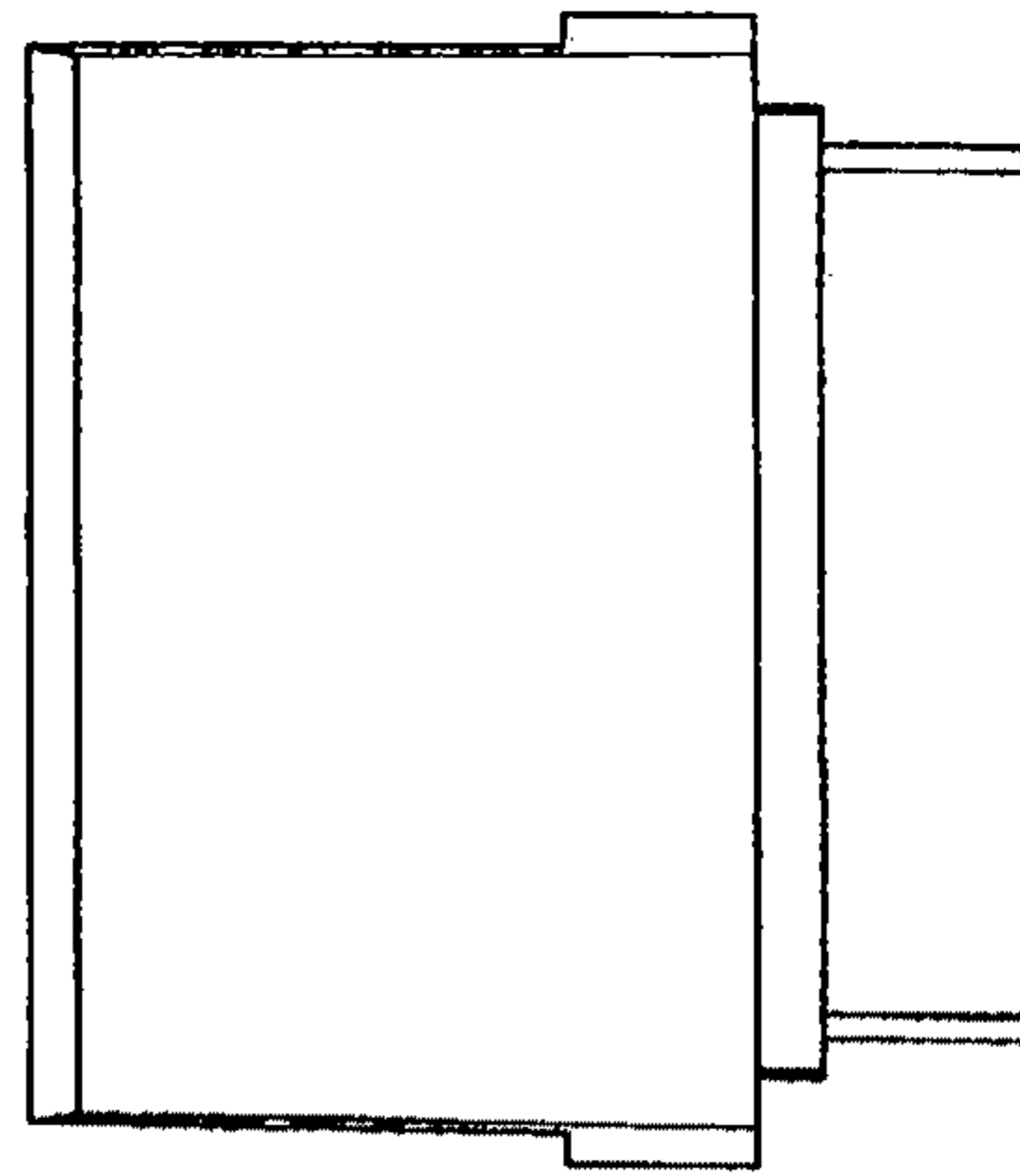


FIG. 7



UNITED STATES PATENT AND TRADEMARK OFFICE
CERTIFICATE OF CORRECTION

PATENT NO. : Des. 580,670 S
APPLICATION NO. : 29/283572
DATED : November 18, 2008
INVENTOR(S) : Per Weiss

Page 1 of 1

It is certified that error appears in the above-identified patent and that said Letters Patent is hereby corrected as shown below:

On the Title Page:

Add assignee:

Line (73) --Innovation U.S.A., Inc., Hanover, Maryland--

Signed and Sealed this

Thirteenth Day of July, 2010

A handwritten signature in black ink that reads "David J. Kappos". The signature is written in a cursive, flowing style.

David J. Kappos
Director of the United States Patent and Trademark Office