



US00D580668S

(12) **United States Design Patent**
Miyakawa

(10) **Patent No.:** **US D580,668 S**

(45) **Date of Patent:** **** Nov. 18, 2008**

(54) **CHAIR**

5,601,339 A * 2/1997 Buiani 297/440.1
6,074,013 A * 6/2000 Hsiao 297/440.1

(76) Inventor: **Takeshi Miyakawa**, 63 N. 3rd St.,
Brooklyn, NY (US) 11211

* cited by examiner

(**) Term: **14 Years**

Primary Examiner—Mimosa De
(74) *Attorney, Agent, or Firm*—Day Pitney LLP

(21) Appl. No.: **29/292,253**

(57) **CLAIM**

(22) Filed: **Oct. 4, 2007**

The ornamental design for a chair, as shown and described.

(51) **LOC (8) Cl.** **06-01**

(52) **U.S. Cl.** **D6/357; D6/370**

(58) **Field of Classification Search** D6/334–336,
D6/346, 357, 369, 370, 371–373, 374, 375,
D6/376, 379, 380, 500–502; 297/244, 440.1,
297/440.22, 445.1, 446.1, 452.63

See application file for complete search history.

DESCRIPTION

FIG. 1 is a perspective view of the chair according to my new design;

FIG. 2 is a perspective view thereof taken from a vantage point different from that of FIG. 1;

FIG. 3 is a perspective view thereof taken from a vantage point different from those of FIGS. 1 and 2;

FIG. 4 is a side elevational view thereof, that of the other side being identical to that of FIG. 4;

FIG. 5 is an elevational view of the front thereof, that of the rear being identical to that of FIG. 5;

FIG. 6 is a plan view thereof taken from above; and,

FIG. 7 is a plan view of the chair taken from below.

(56) **References Cited**

U.S. PATENT DOCUMENTS

1,788,039	A *	1/1931	Wujcik	297/244
D174,900	S *	6/1955	Flexer et al.	D6/357
D249,305	S *	9/1978	Henninger	D6/336
D292,656	S *	11/1987	Masterton	D6/370
D293,171	S *	12/1987	Lubke	D6/370
D319,930	S *	9/1991	Glendinning	D6/370
D358,720	S *	5/1995	Tzeng	D6/370
D359,397	S *	6/1995	McPhee	D6/370

1 Claim, 5 Drawing Sheets

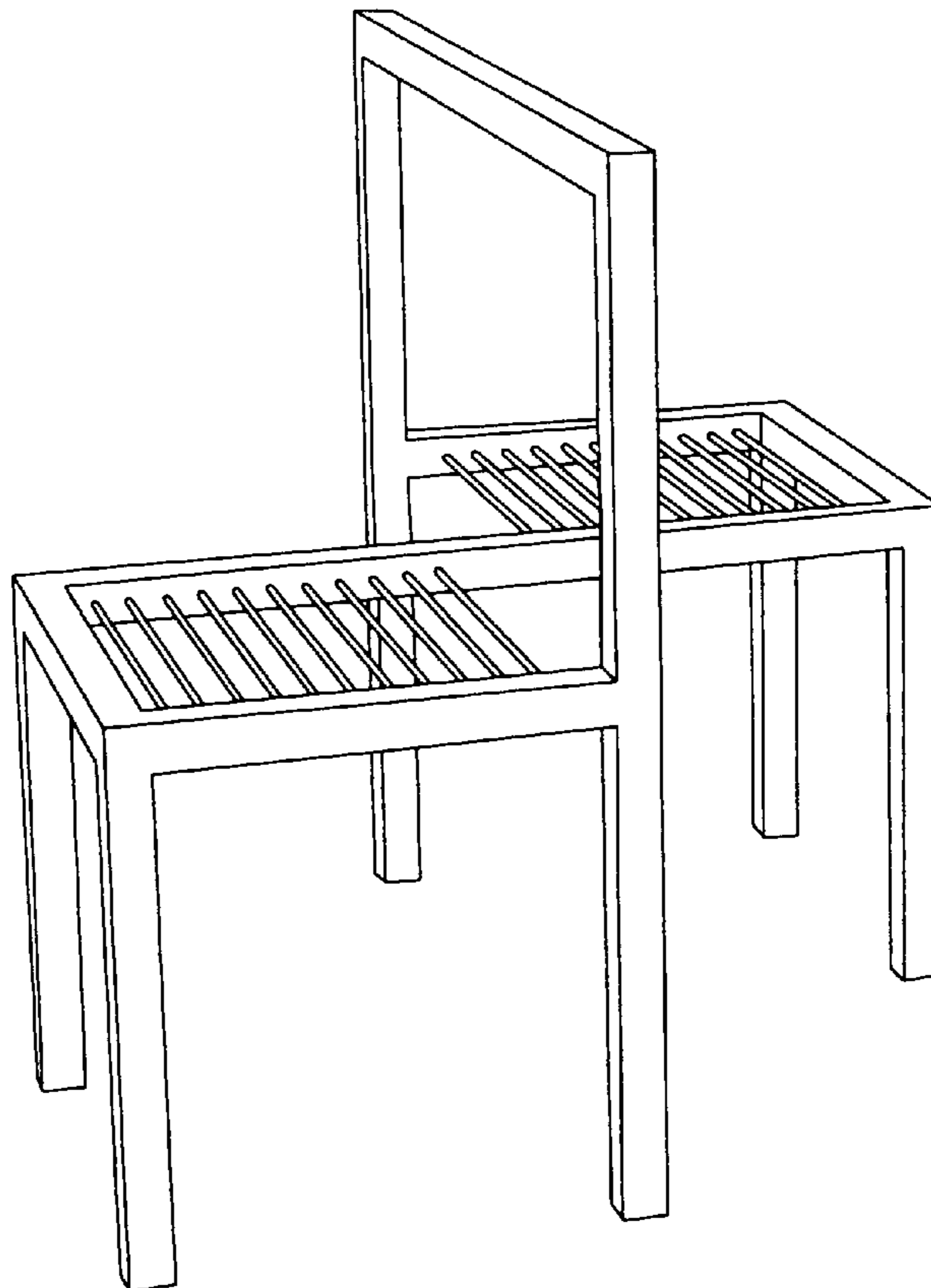


Fig. 1

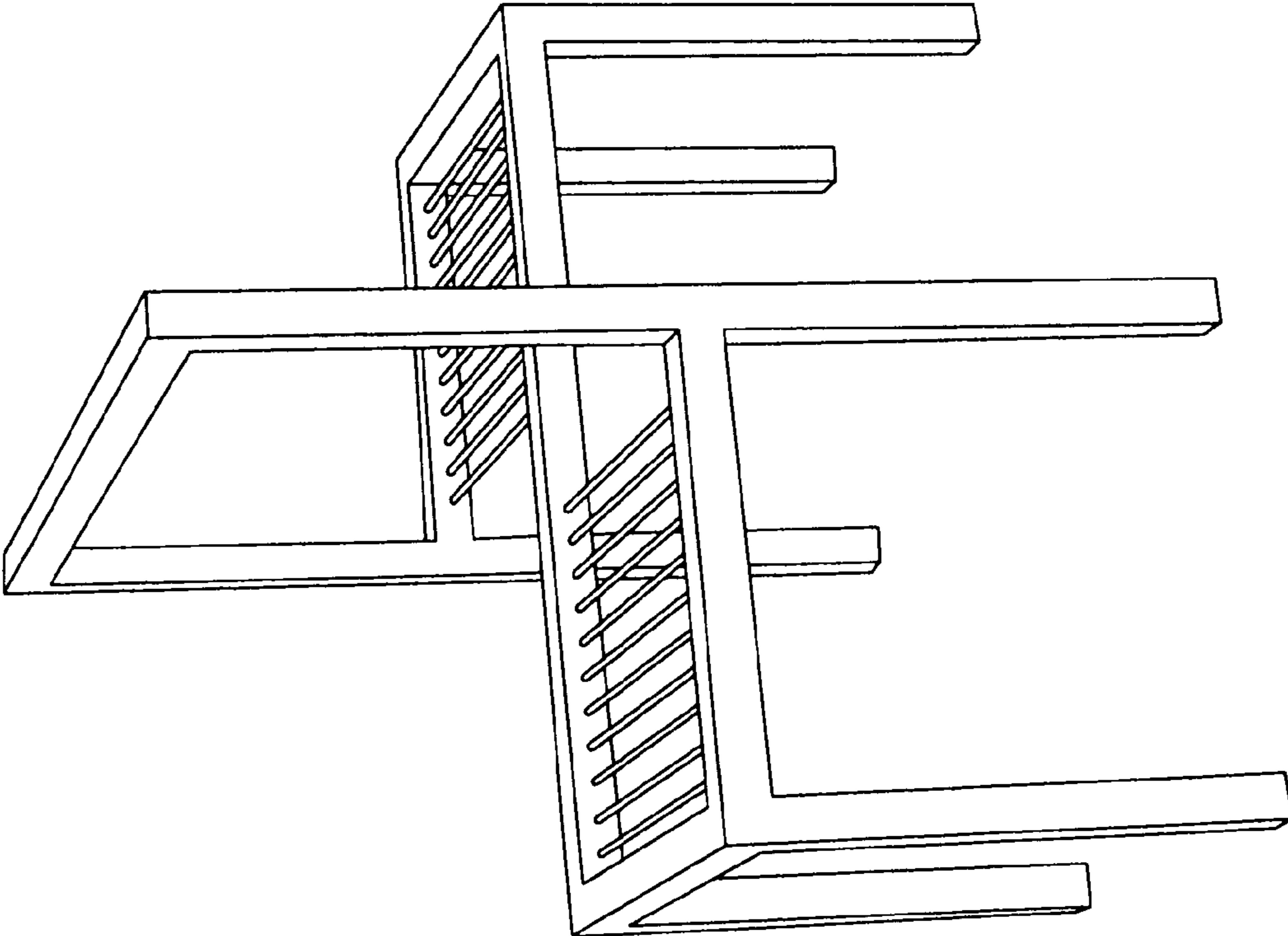


Fig. 2

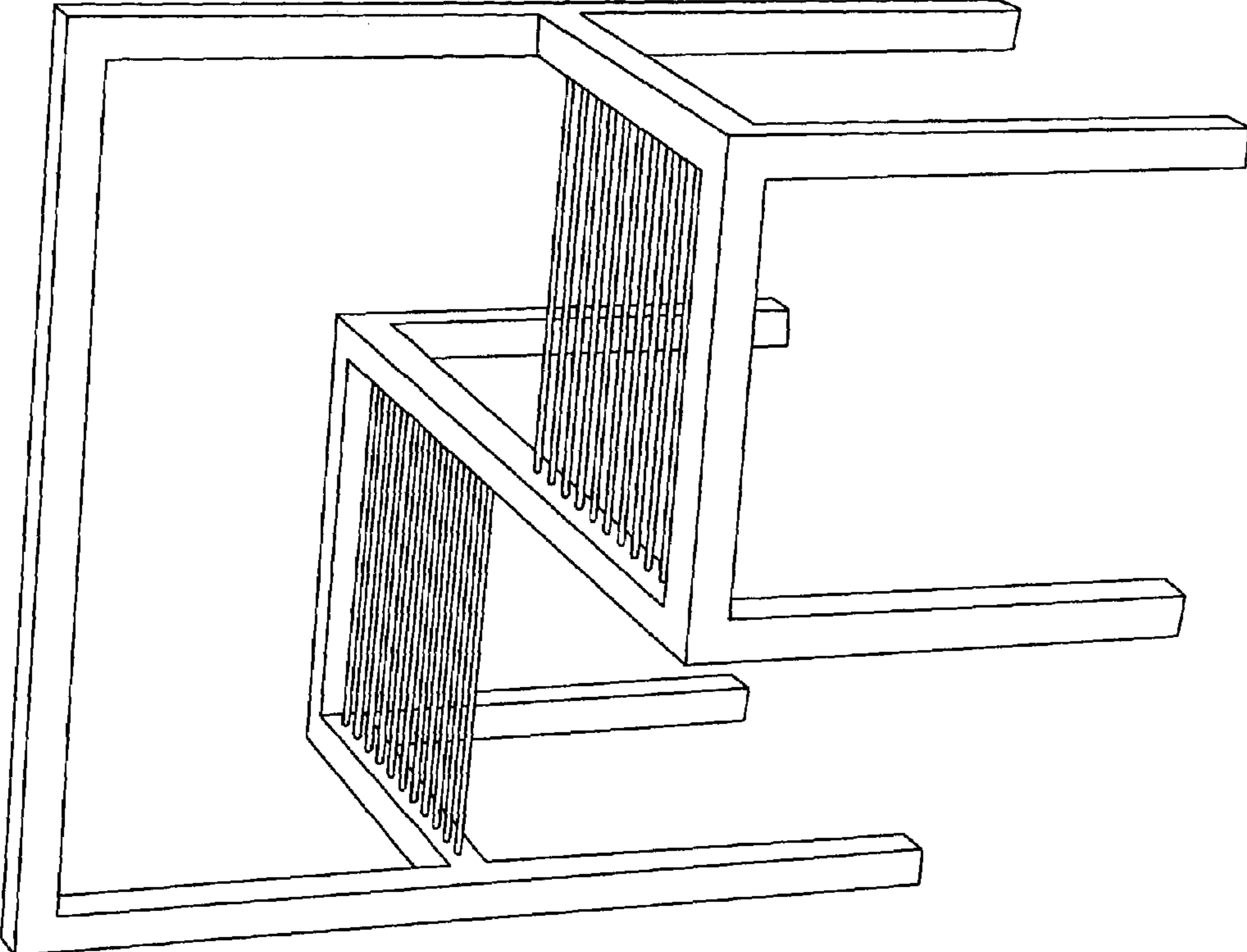
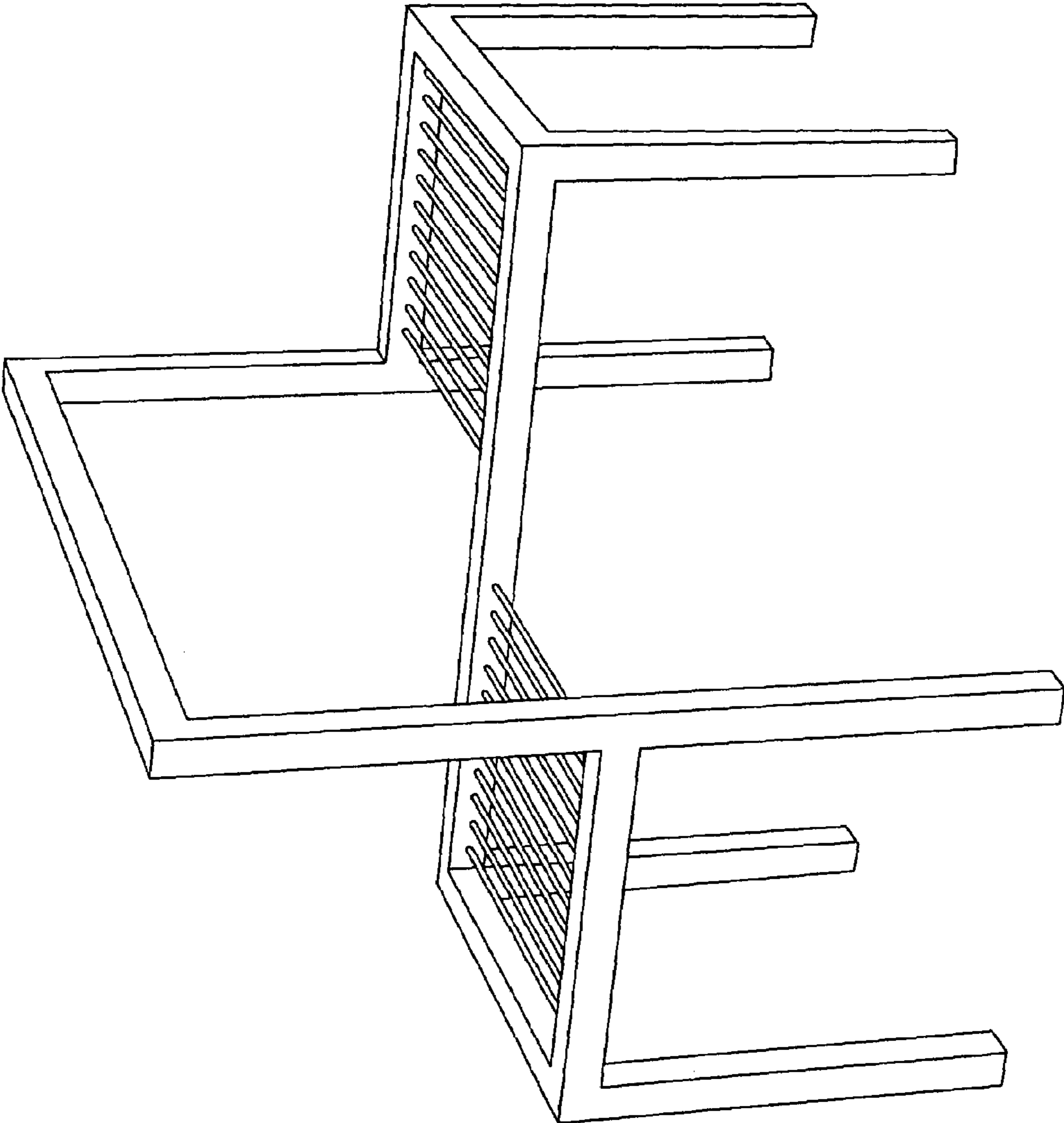


Fig. 3



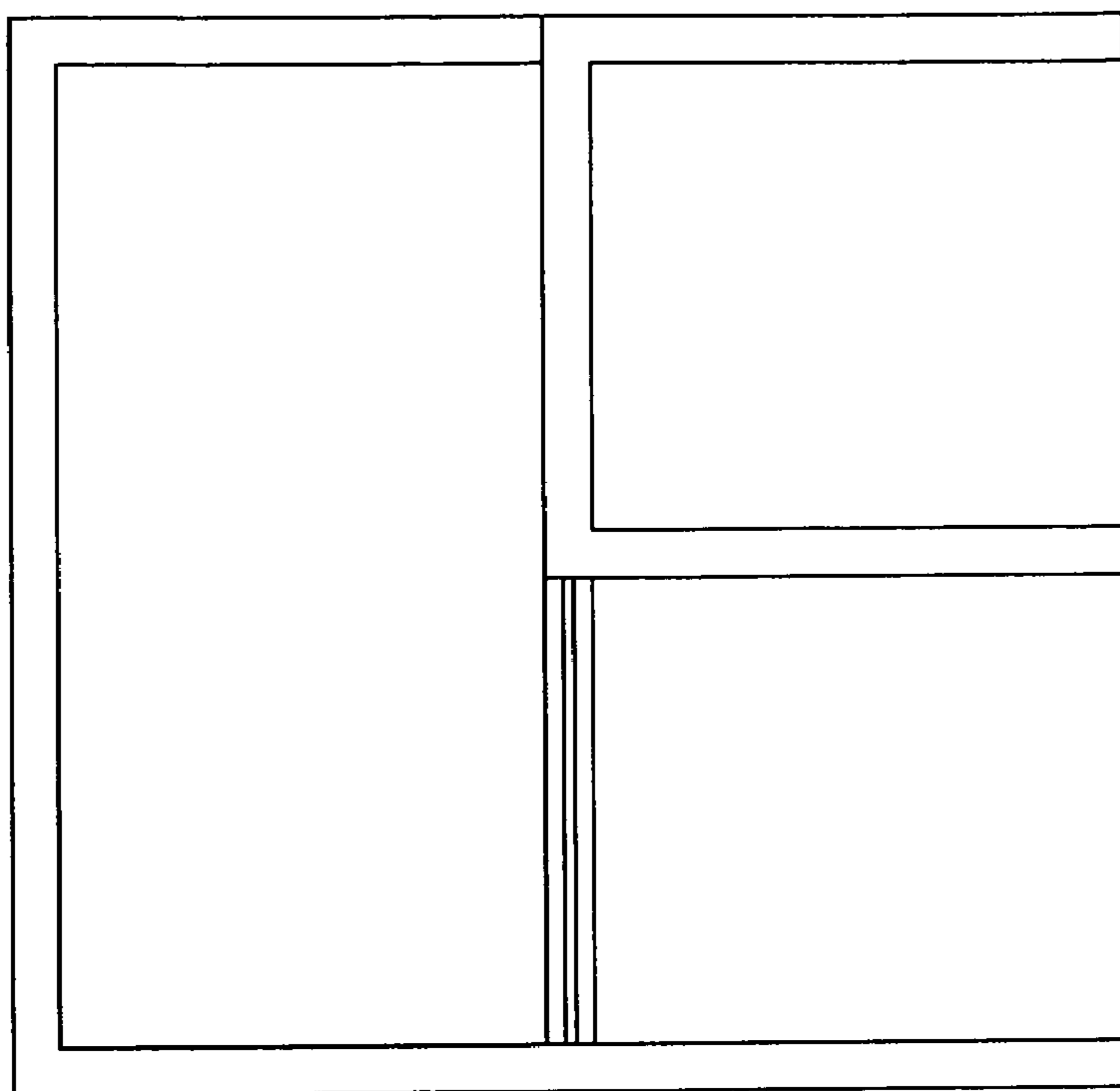


Fig. 5

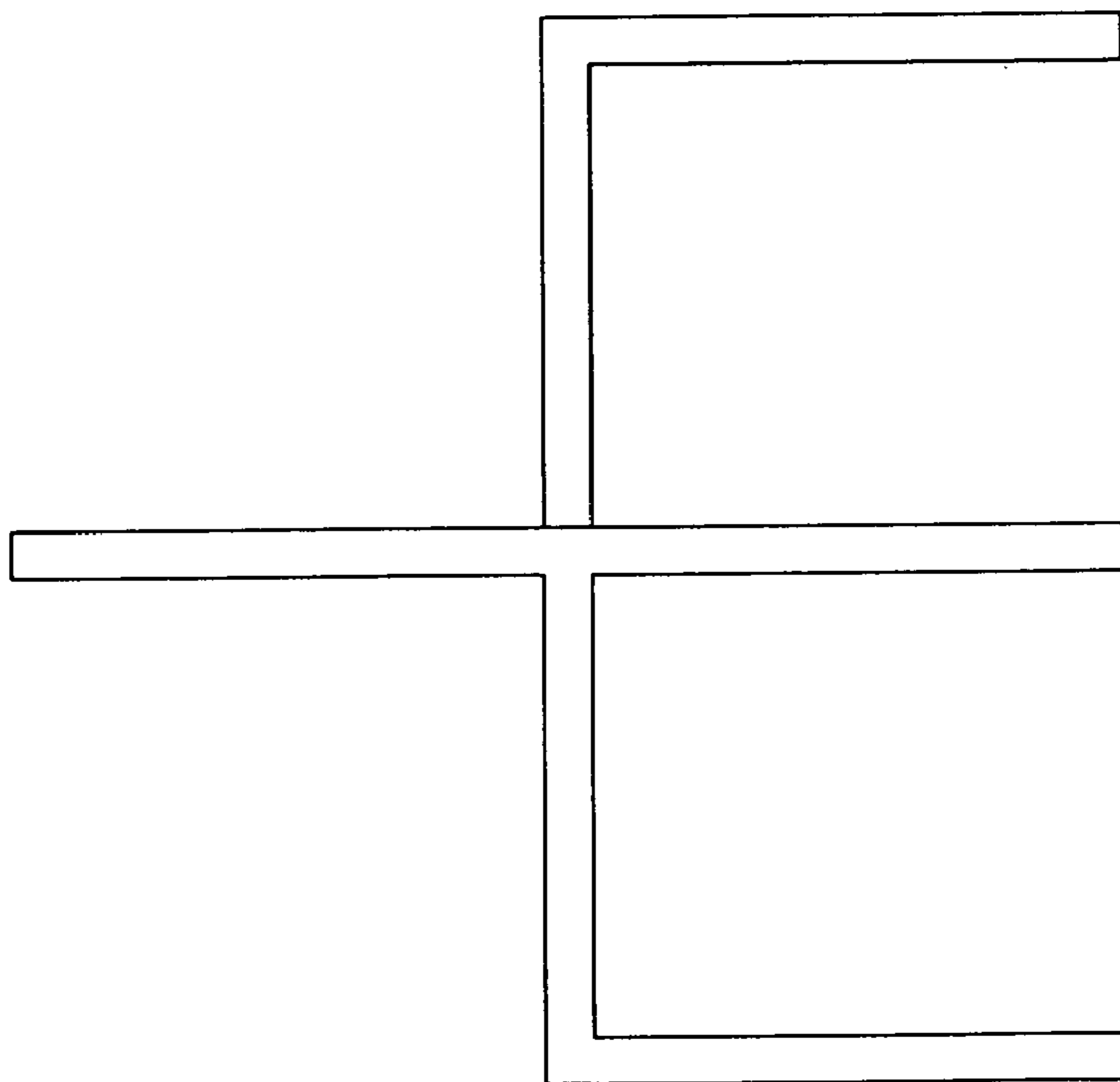


Fig. 4

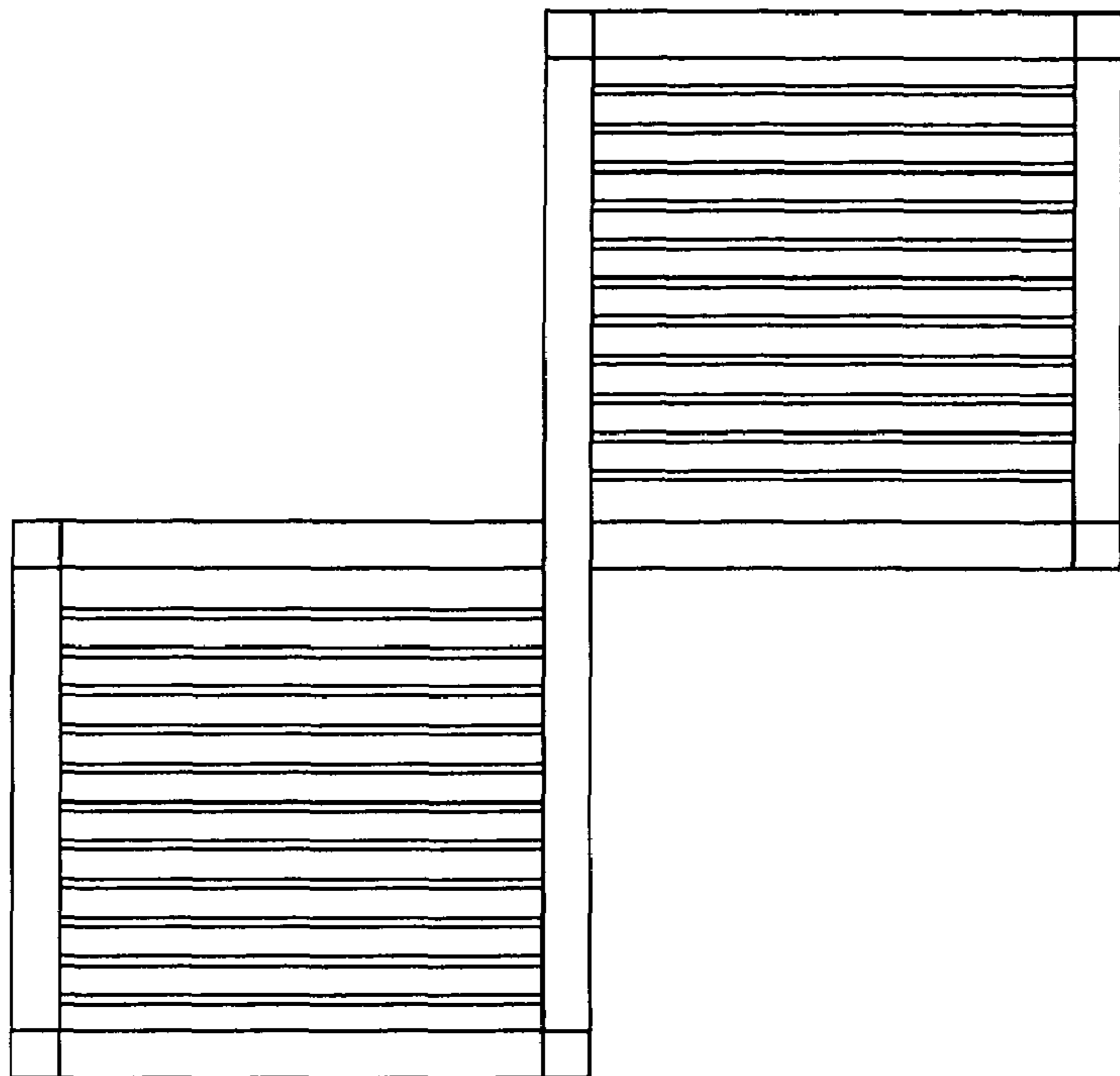


Fig. 7

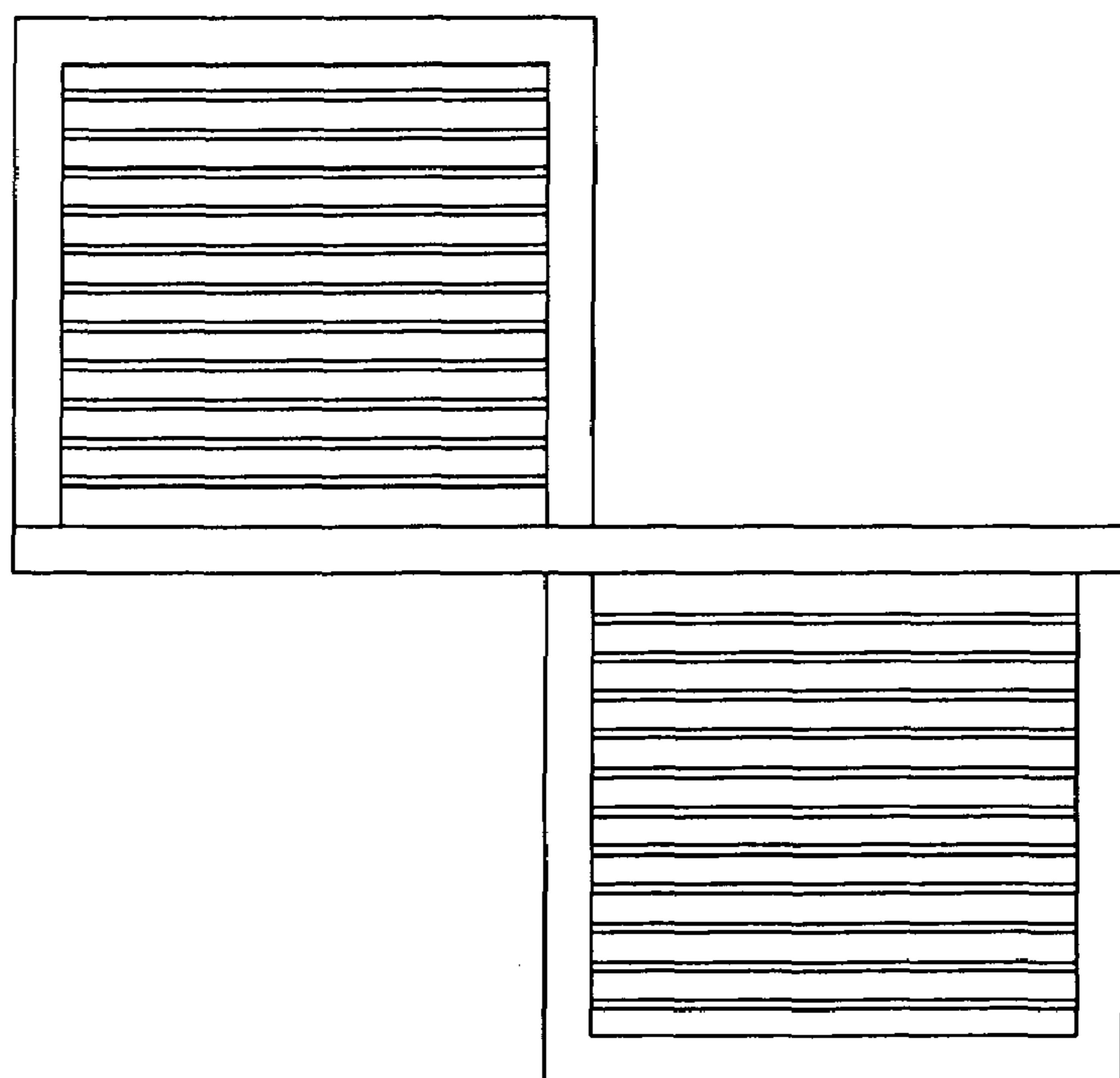


Fig. 6