



US00D580665S

(12) **United States Design Patent**
Aoki et al.

(10) **Patent No.:** **US D580,665 S**

(45) **Date of Patent:** **** Nov. 18, 2008**

(54) **ELECTRIC MASSAGING CHAIR**

(75) Inventors: **Motohiro Aoki**, Yokohama (JP); **Junichi Yamada**, Hidaka (JP); **Nobutaka Kato**, Yokohama (JP)

(73) Assignee: **Panasonic Electric Works, Ltd.**, Osaka (JP)

(**) Term: **14 Years**

(21) Appl. No.: **29/294,528**

(22) Filed: **Jan. 16, 2008**

(30) **Foreign Application Priority Data**

Jul. 17, 2007 (JP) 2007-019252

(51) **LOC (8) Cl.** **06-01**

(52) **U.S. Cl.** **D6/335**

(58) **Field of Classification Search** D6/335-338,
D6/360-361, 367, 491, 495, 500-502; 297/188.01,
297/423.19, 135, 180.15; D28/56, 61; 4/622;
601/158

See application file for complete search history.

(56) **References Cited**

U.S. PATENT DOCUMENTS

D471,372 S *	3/2003	Inada et al.	D6/367
D491,375 S *	6/2004	Yuyama	D6/335
D502,607 S *	3/2005	Miyake et al.	D6/335
D517,337 S *	3/2006	Mori	D6/367
D536,891 S *	2/2007	Miyake et al.	D6/367
D536,893 S *	2/2007	Lifeng	D6/367
D536,894 S *	2/2007	Potter	D6/367
D536,896 S *	2/2007	Kawamura	D6/367
D537,262 S *	2/2007	Lifeng	D6/367
D537,643 S *	3/2007	Miyake	D6/367
D537,644 S *	3/2007	Kawamura	D6/367
D538,056 S *	3/2007	Lifeng	D6/367

D540,053 S *	4/2007	Kimoto	D6/367
D544,224 S *	6/2007	Zhuo	D6/367
D545,091 S *	6/2007	Kawamura	D6/501
D548,995 S *	8/2007	Ng	D6/367
D565,316 S *	4/2008	Ng	D6/367

* cited by examiner

Primary Examiner—Sandra Snapp

(74) *Attorney, Agent, or Firm*—Osha•Liang LLP

(57) **CLAIM**

The ornamental design for an electric massaging chair, as shown and described.

DESCRIPTION

FIG. 1 is a perspective view of the design for an electric massaging chair according to the invention.

FIG. 2 is a front view of the design according to the invention.

A rear view of the design according to the invention is a mirror image of the front view as shown in FIG. 2.

FIG. 3 is a right side view of the design according to the invention.

FIG. 4 is a left side view of the design according to the invention.

FIG. 5 is a top view of the design according to the invention.

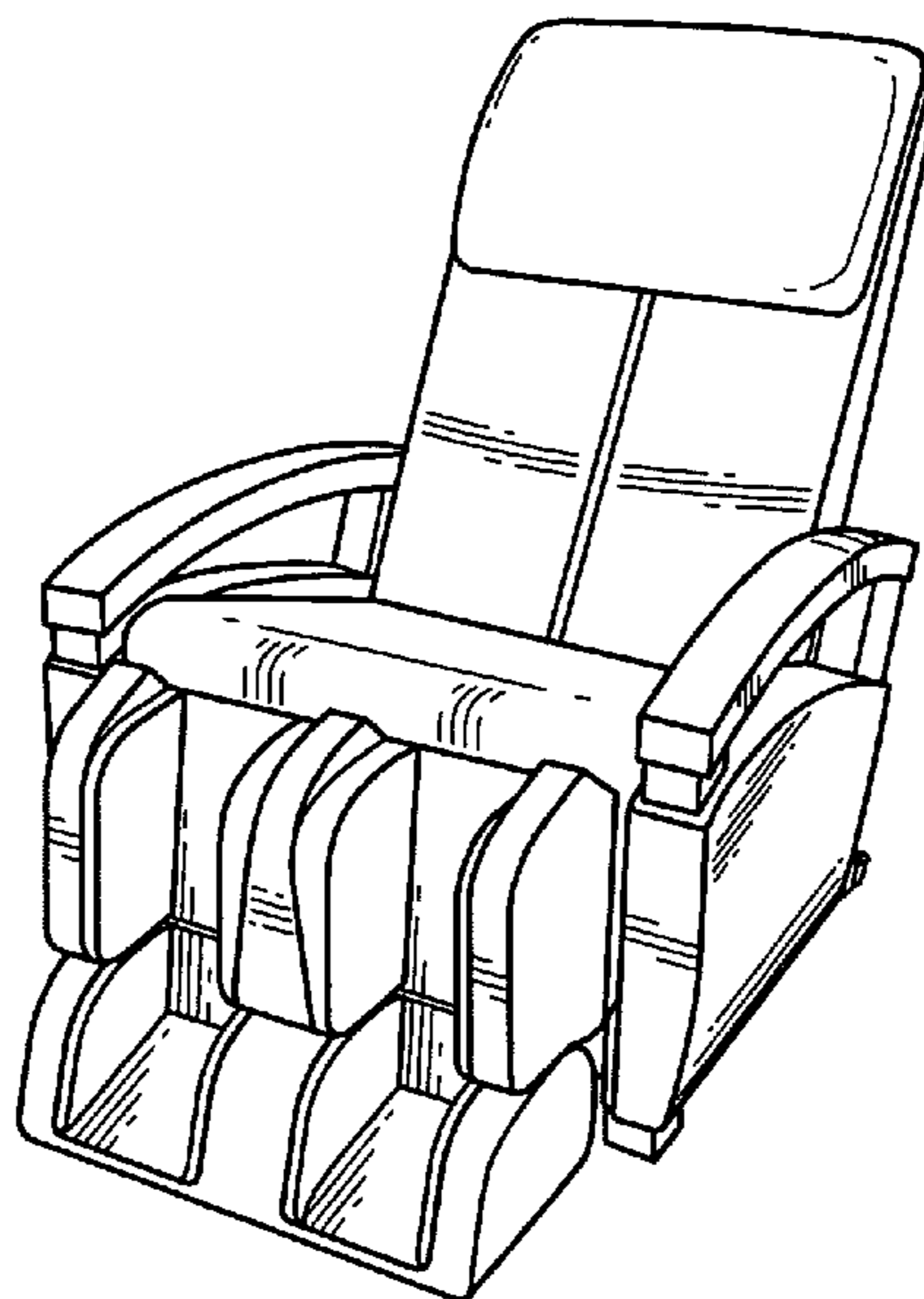
FIG. 6 is a bottom view of the design according to the invention.

FIG. 7 is a sectional view of the design along the line 7—7, which shifts at the center line, in FIG. 6 according to the invention, where the internal components are omitted; and,

FIG. 8 is a reference view showing that the electric massaging chair is reclined.

The elements shown in broken lines are for illustrative purposes only and form no part of the claimed invention.

1 Claim, 4 Drawing Sheets



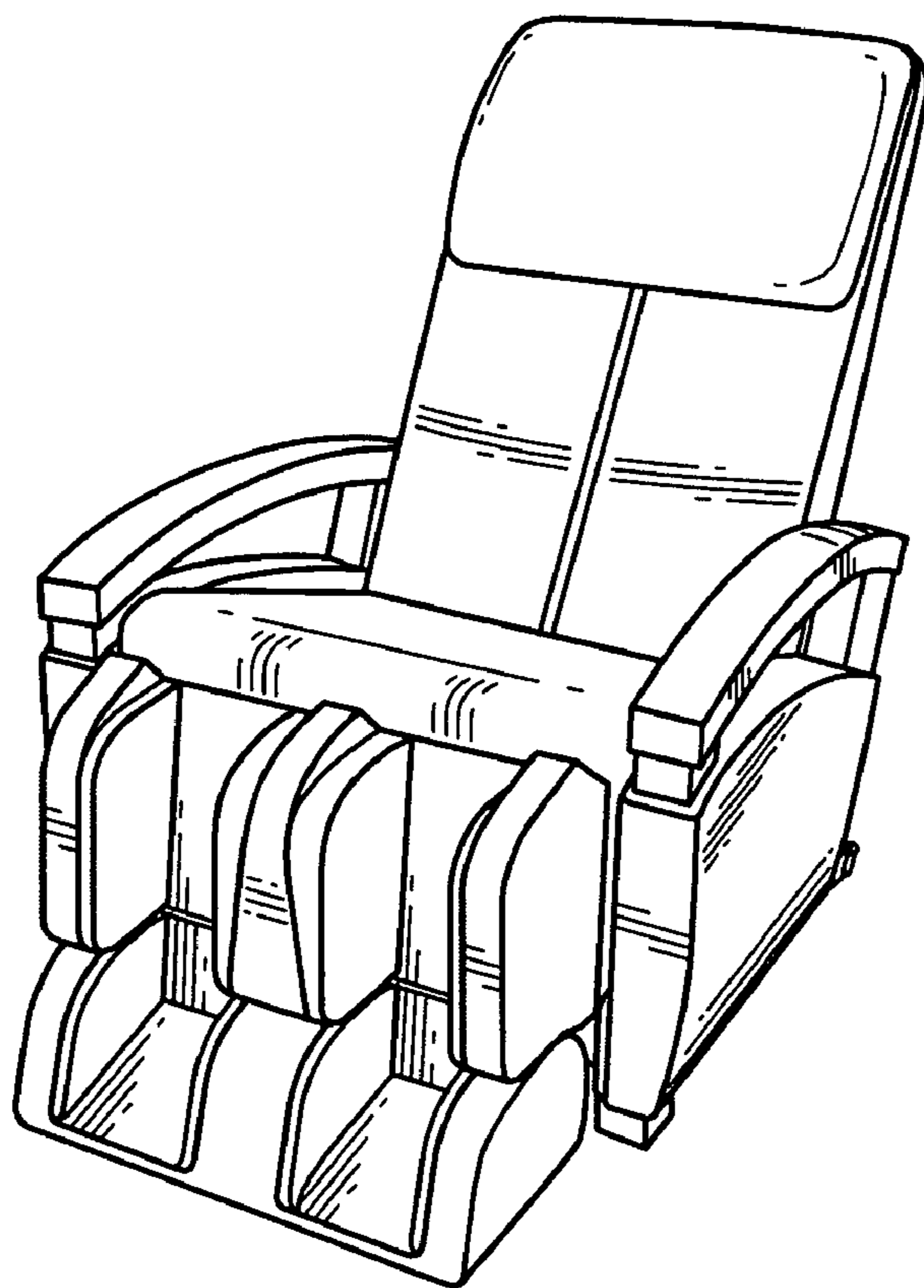


FIG. 1

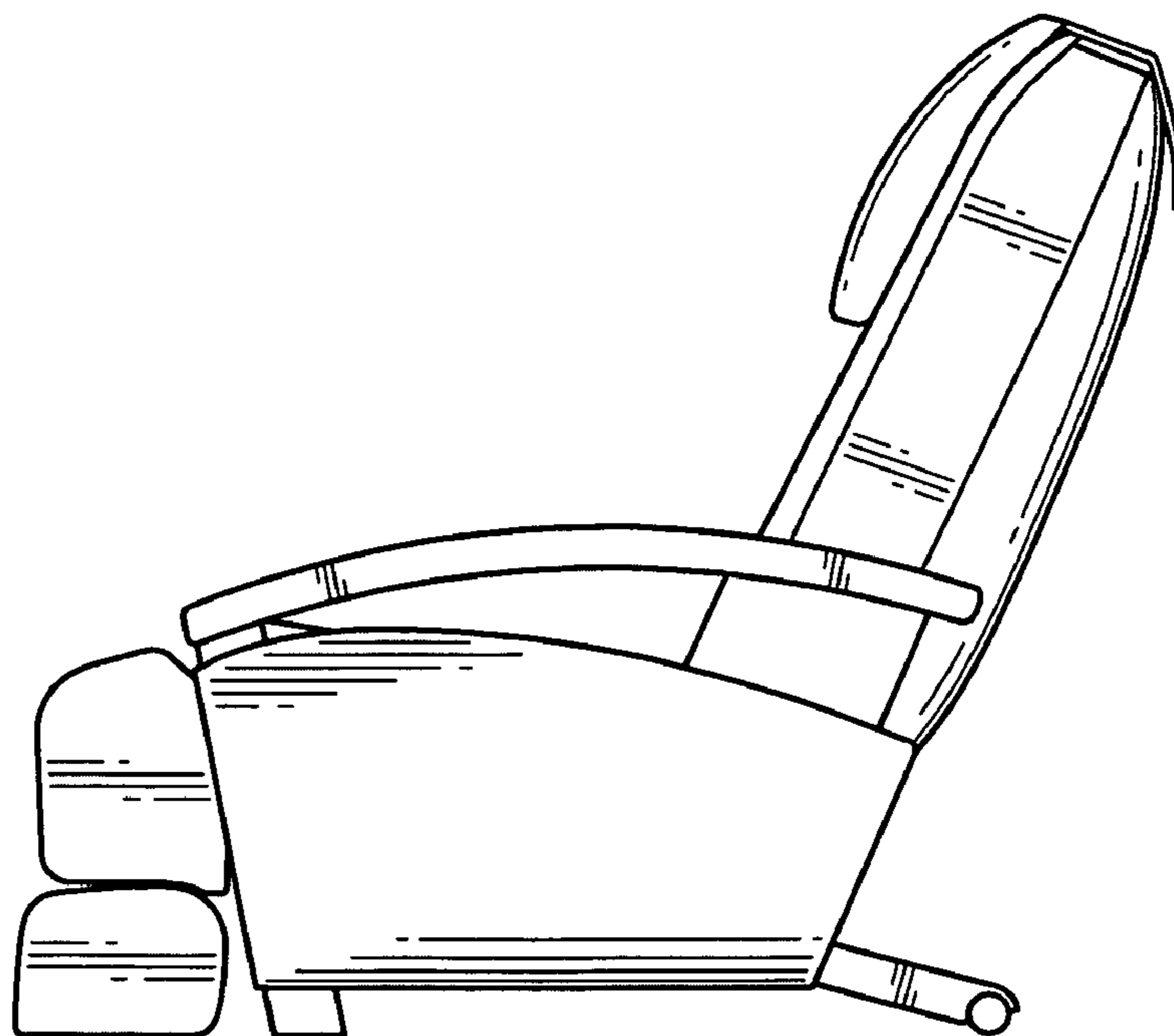


FIG. 2

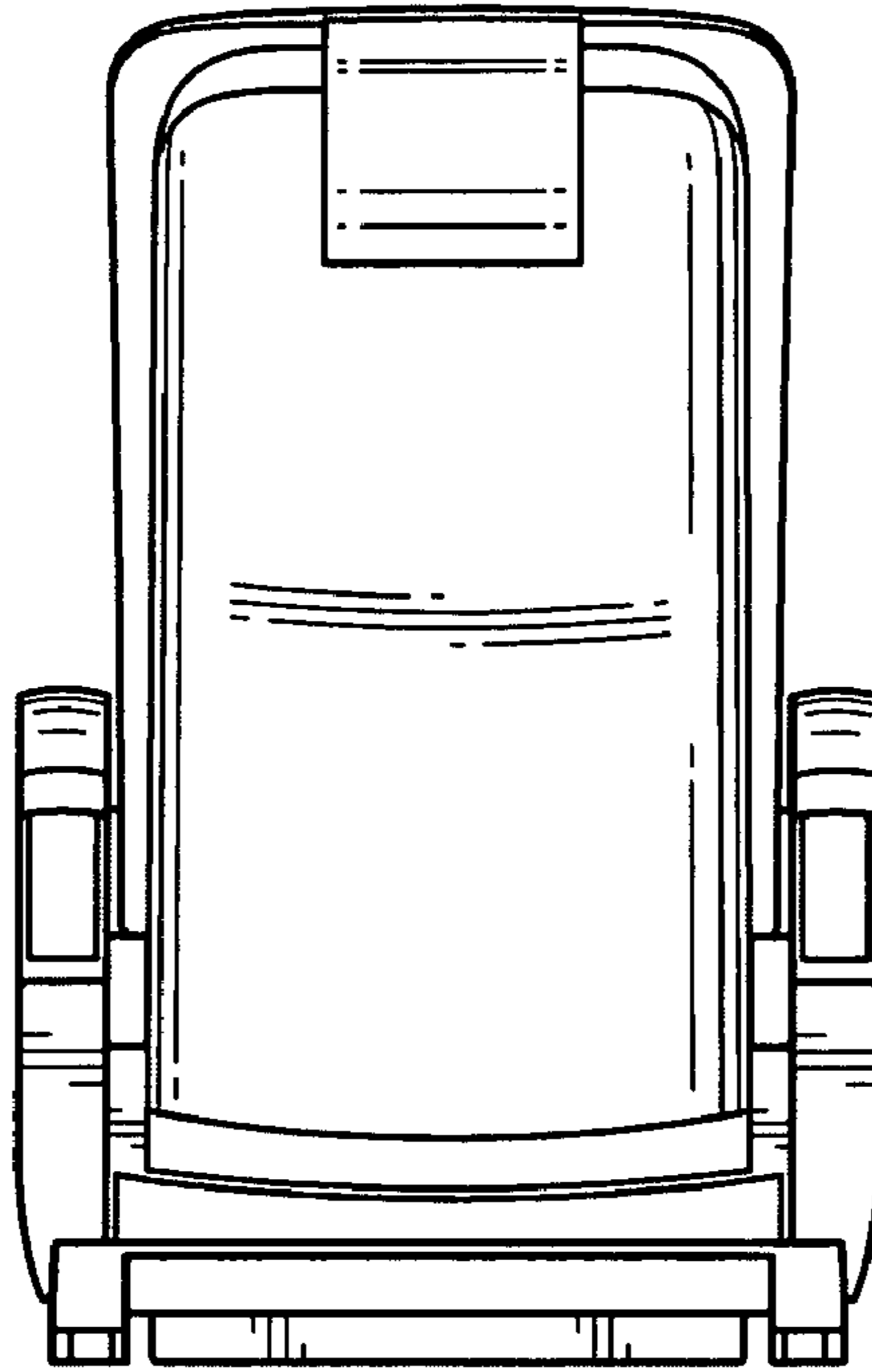


FIG. 3

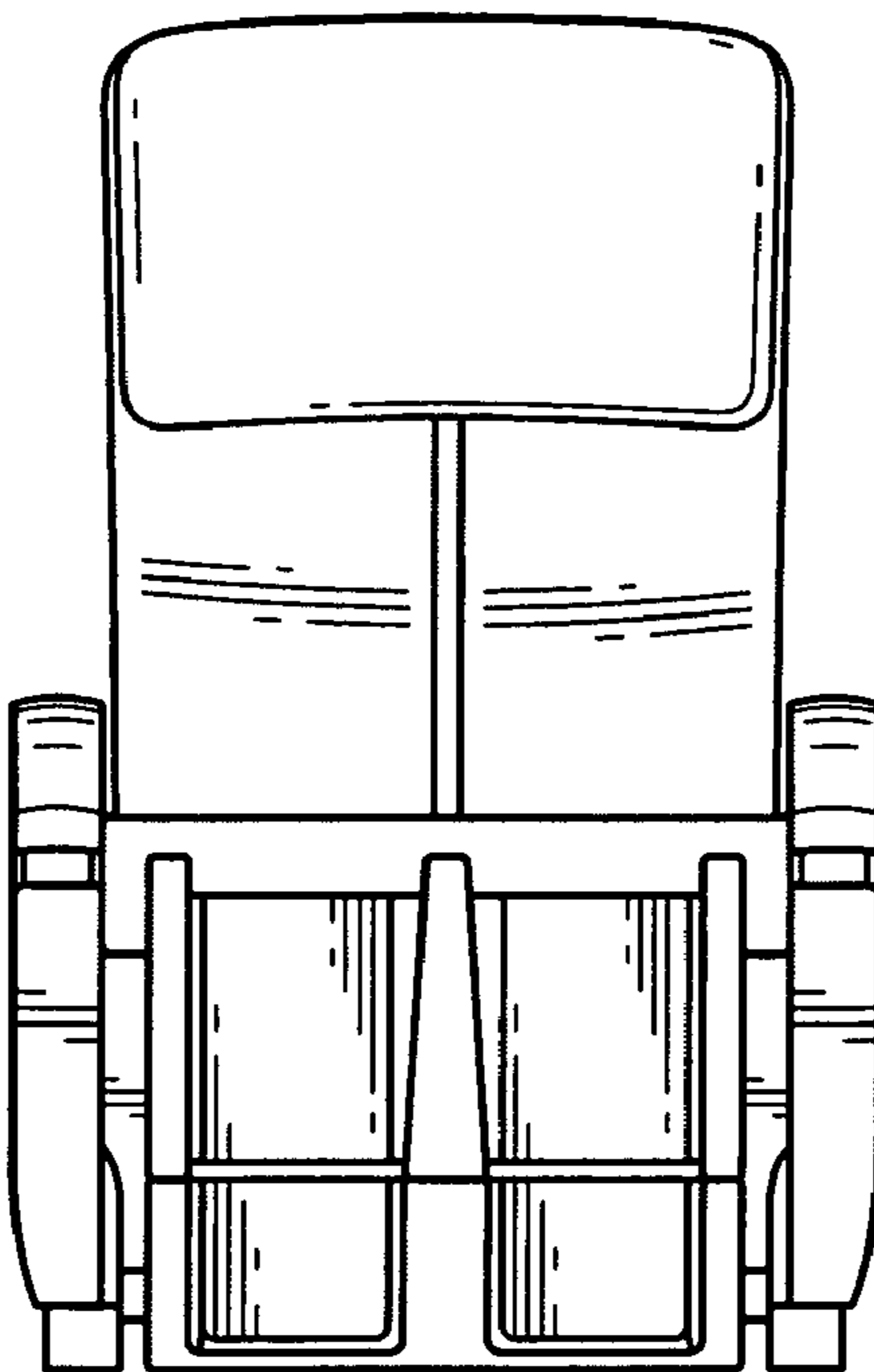


FIG. 4

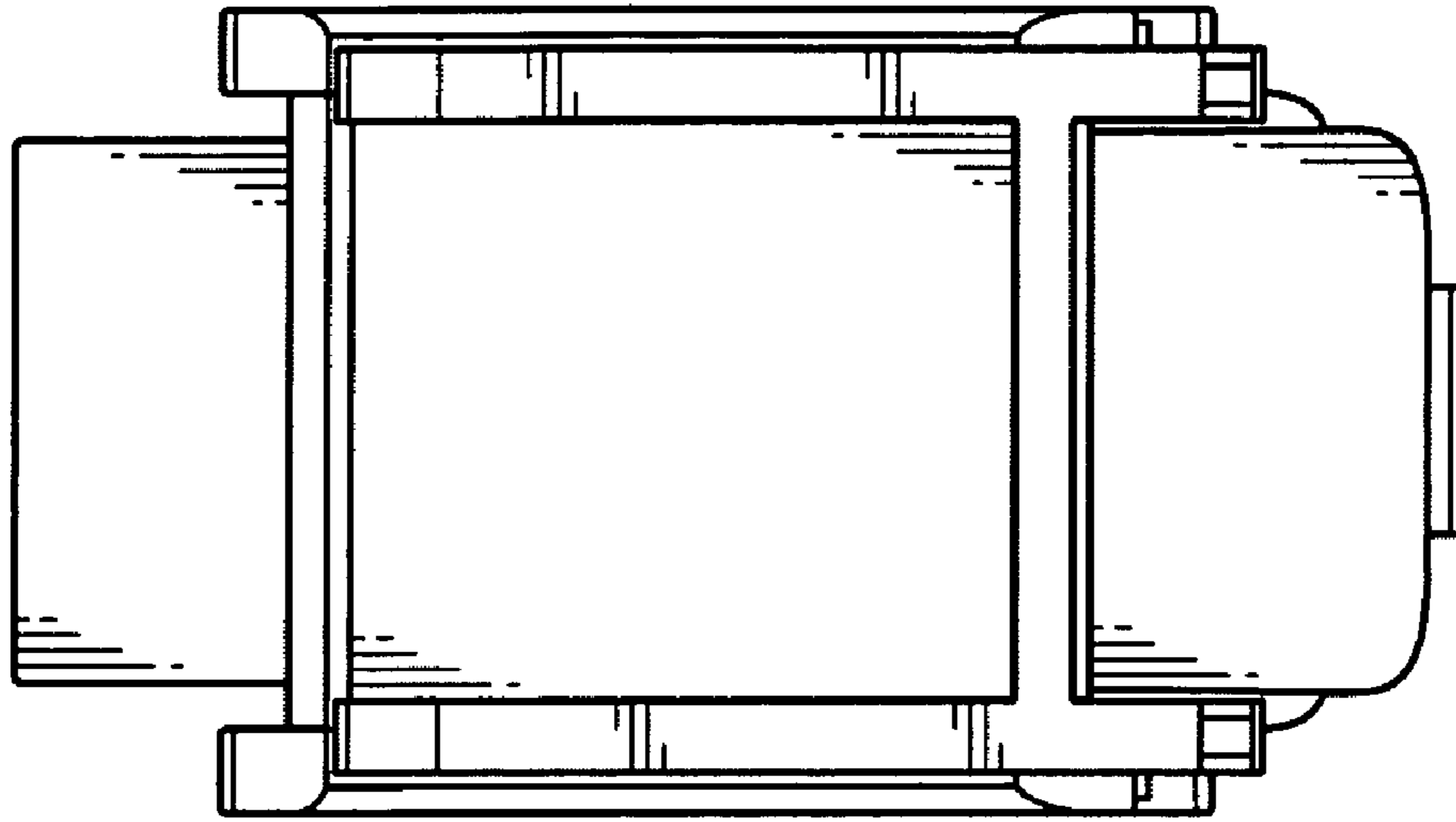


FIG. 5

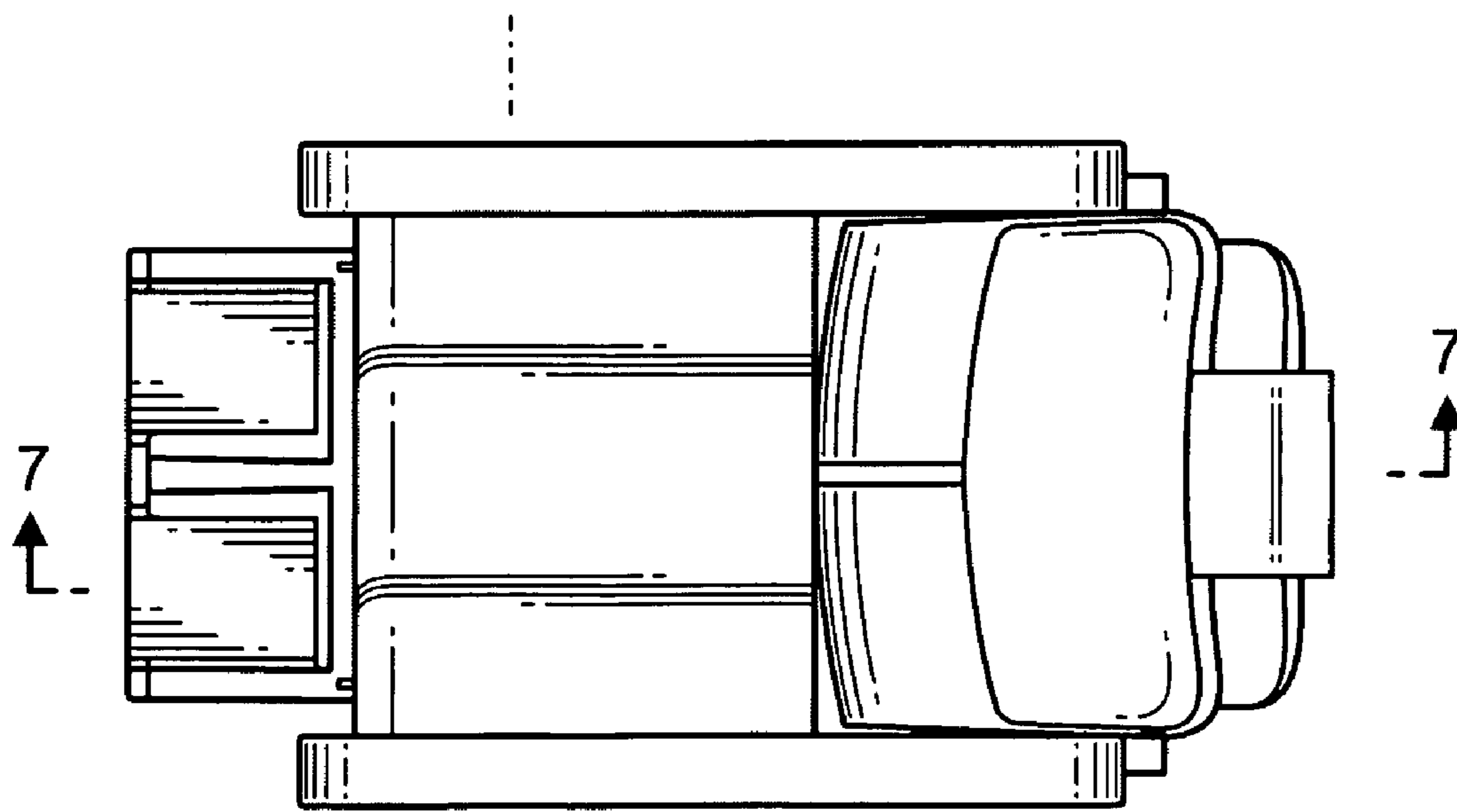


FIG. 6

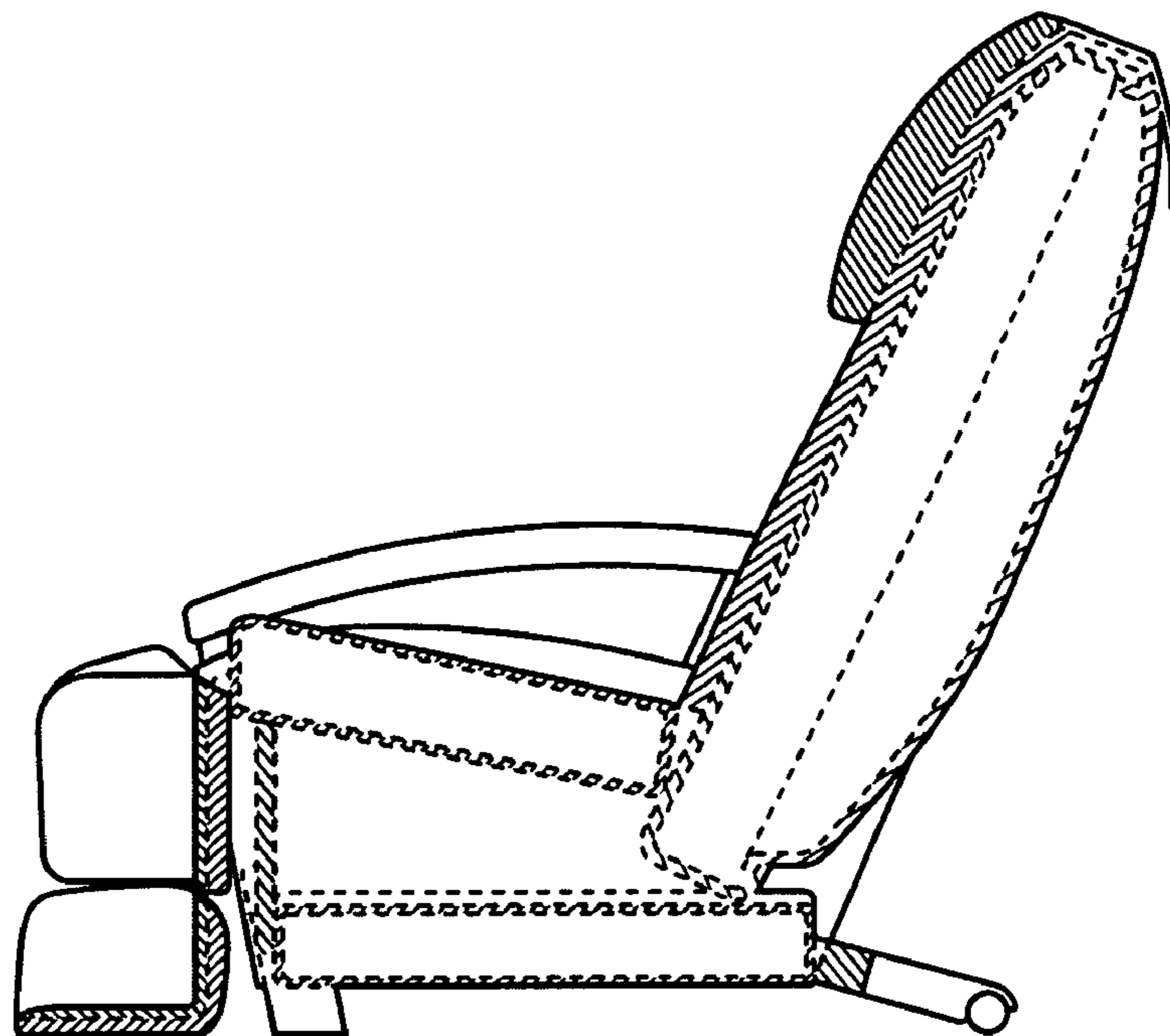


FIG. 7

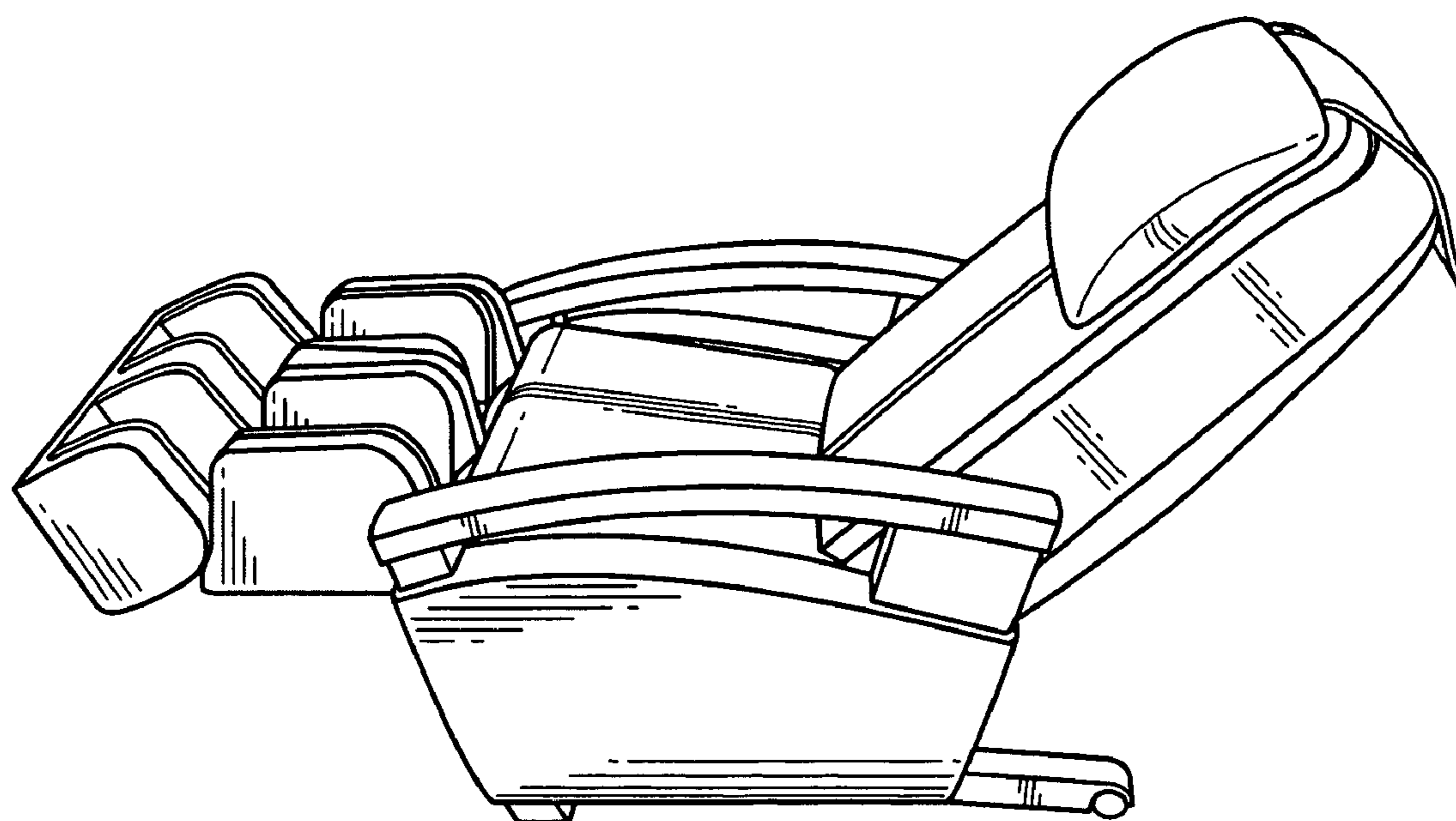


FIG. 8

UNITED STATES PATENT AND TRADEMARK OFFICE
CERTIFICATE OF CORRECTION

PATENT NO. : Des. 580,665 S
APPLICATION NO. : 29/294528
DATED : November 18, 2008
INVENTOR(S) : Motohiro Aoki et al.

Page 1 of 1

It is certified that error appears in the above-identified patent and that said Letters Patent is hereby corrected as shown below:

On the Cover Page:

On the Cover Page, Section (57) Description, line 10, "Fig. 5 is a top view" should be --Fig. 5 is a **bottom** view . . . --

On the Cover Page, Section (57) Description, line 11, "Fig. 6 is a bottom view . . ." should be --Fig. 6 is a **top** view . . . --

Signed and Sealed this

Tenth Day of February, 2009



JOHN DOLL
Acting Director of the United States Patent and Trademark Office