



US00D580663S

(12) **United States Design Patent**
Gentil

(10) **Patent No.:** **US D580,663 S**

(45) **Date of Patent:** **** Nov. 18, 2008**

(54) **PLAYPEN**

(75) Inventor: **Jean-Luc Gentil**, Cholet (FR)

(73) Assignee: **Dorel France SA**, Cholet (FR)

(**) Term: **14 Years**

(21) Appl. No.: **29/280,697**

(22) Filed: **Jun. 5, 2007**

(30) **Foreign Application Priority Data**

Dec. 5, 2006 (EM) 000632930-0001

(51) **LOC (8) Cl.** **06-01**

(52) **U.S. Cl.** **D6/331; D6/391**

(58) **Field of Classification Search** D6/331,
D6/333, 390, 391; 5/93.1, 97, 98.1, 99.1,
5/655

See application file for complete search history.

(56) **References Cited**

U.S. PATENT DOCUMENTS

D382,718 S * 8/1997 Mariol D6/331
6,182,308 B1 * 2/2001 Yang 5/93.1
6,895,611 B2 * 5/2005 Tharalson et al. 5/99.1
D520,262 S * 5/2006 Hsu D6/390

2005/0144717 A1* 7/2005 Chen 5/93.1
2006/0218725 A1* 10/2006 Carpenter et al. 5/93.1
2006/0225205 A1* 10/2006 Troutman 5/93.1

* cited by examiner

Primary Examiner—Janice E Seeger

(74) *Attorney, Agent, or Firm*—Workman Nydegger

(57) **CLAIM**

The ornamental design for a playpen, as shown and described.

DESCRIPTION

FIG. 1 is a side perspective view of a playpen showing my new design;

FIG. 2 is a top view thereof;

FIG. 3 is another side perspective thereof;

FIG. 4 is a bottom perspective view thereof;

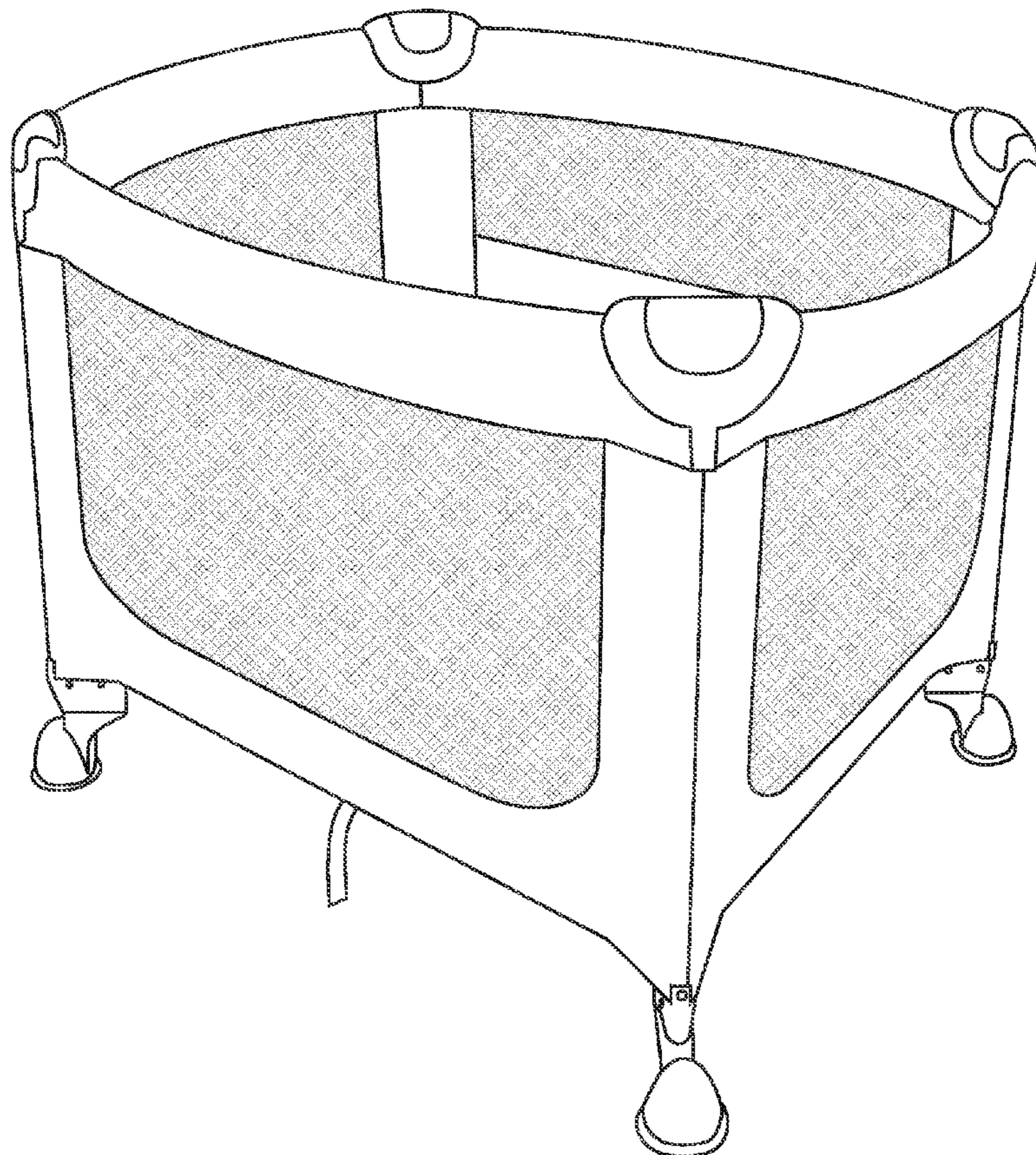
FIG. 5 is still another side perspective view thereof;

FIG. 6 is a further side perspective view thereof; and,

FIG. 7 is a top view thereof illustrating the playpen in a collapsed position.

The broken lines shown in the figures are for illustrative purposes only and form no part of the claimed design.

1 Claim, 7 Drawing Sheets



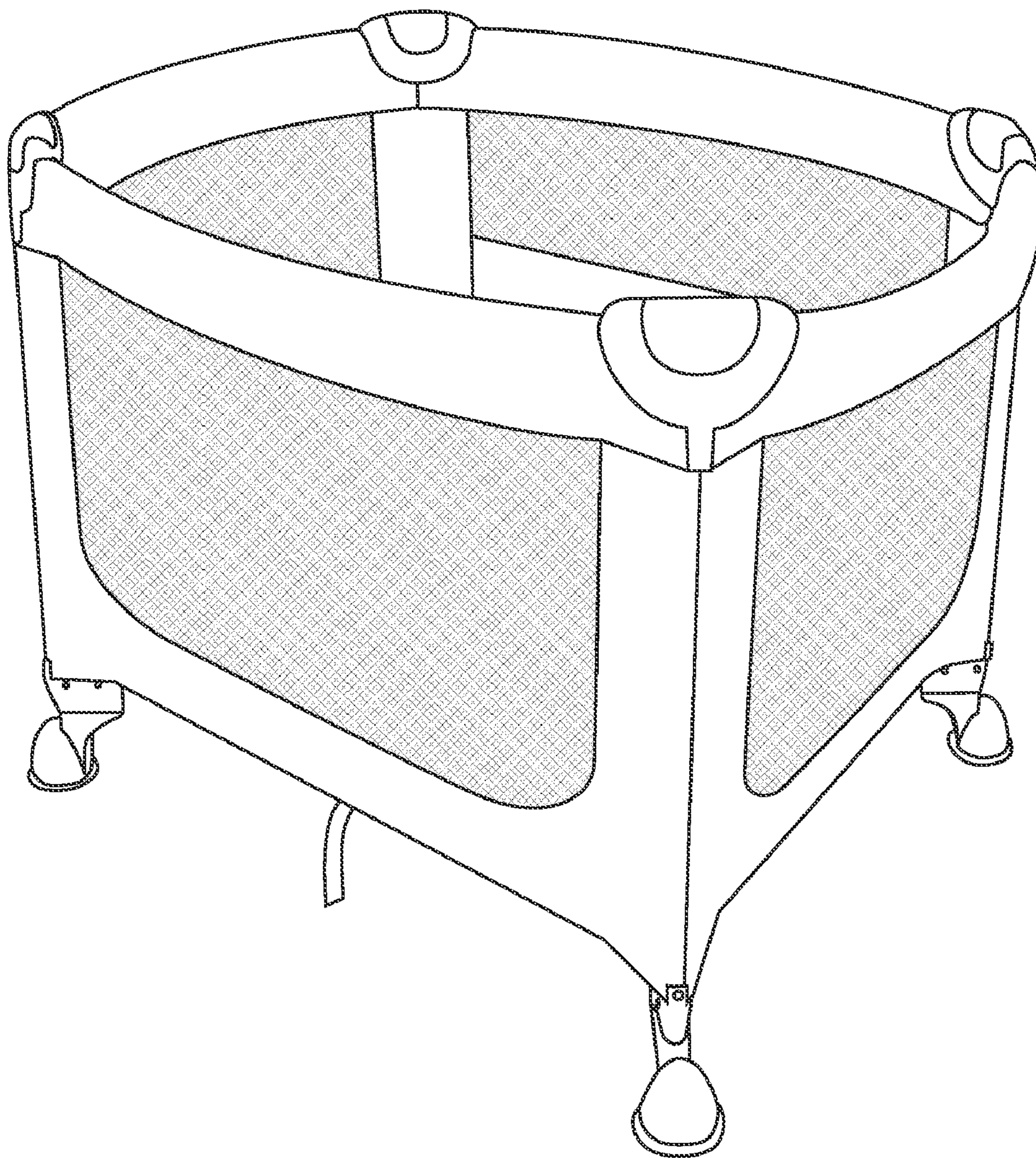


Fig. 1

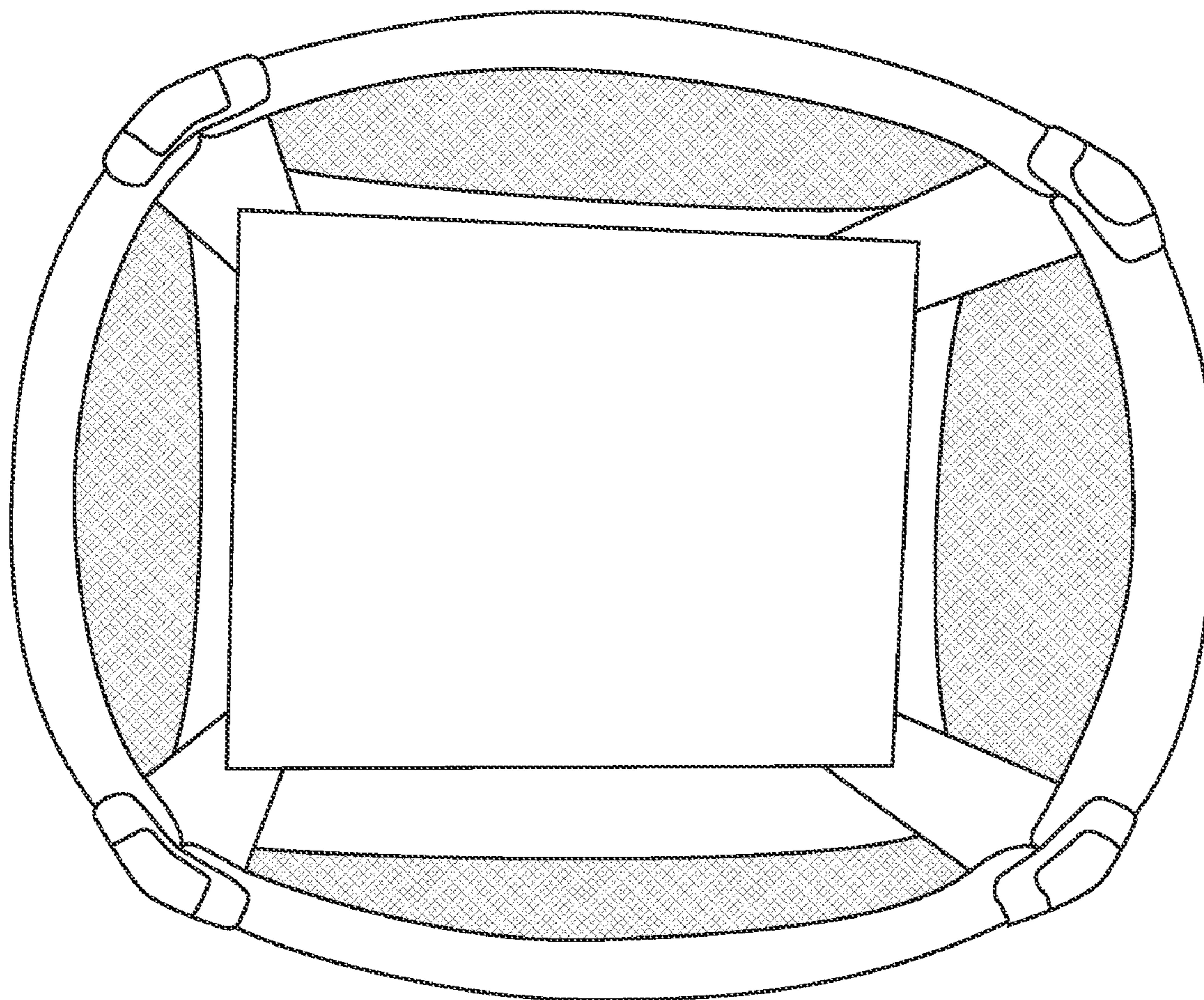


Fig. 2

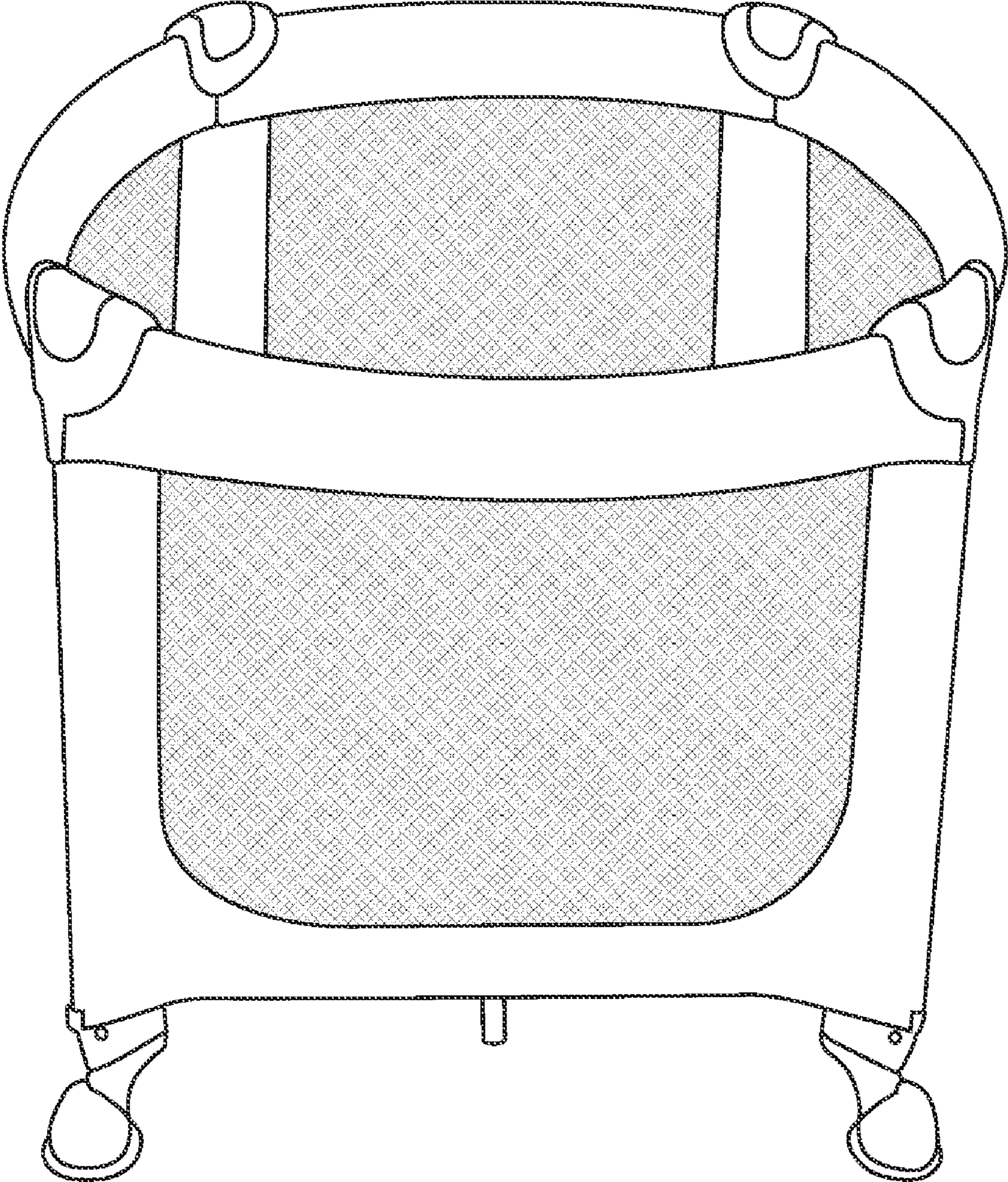


Fig. 3

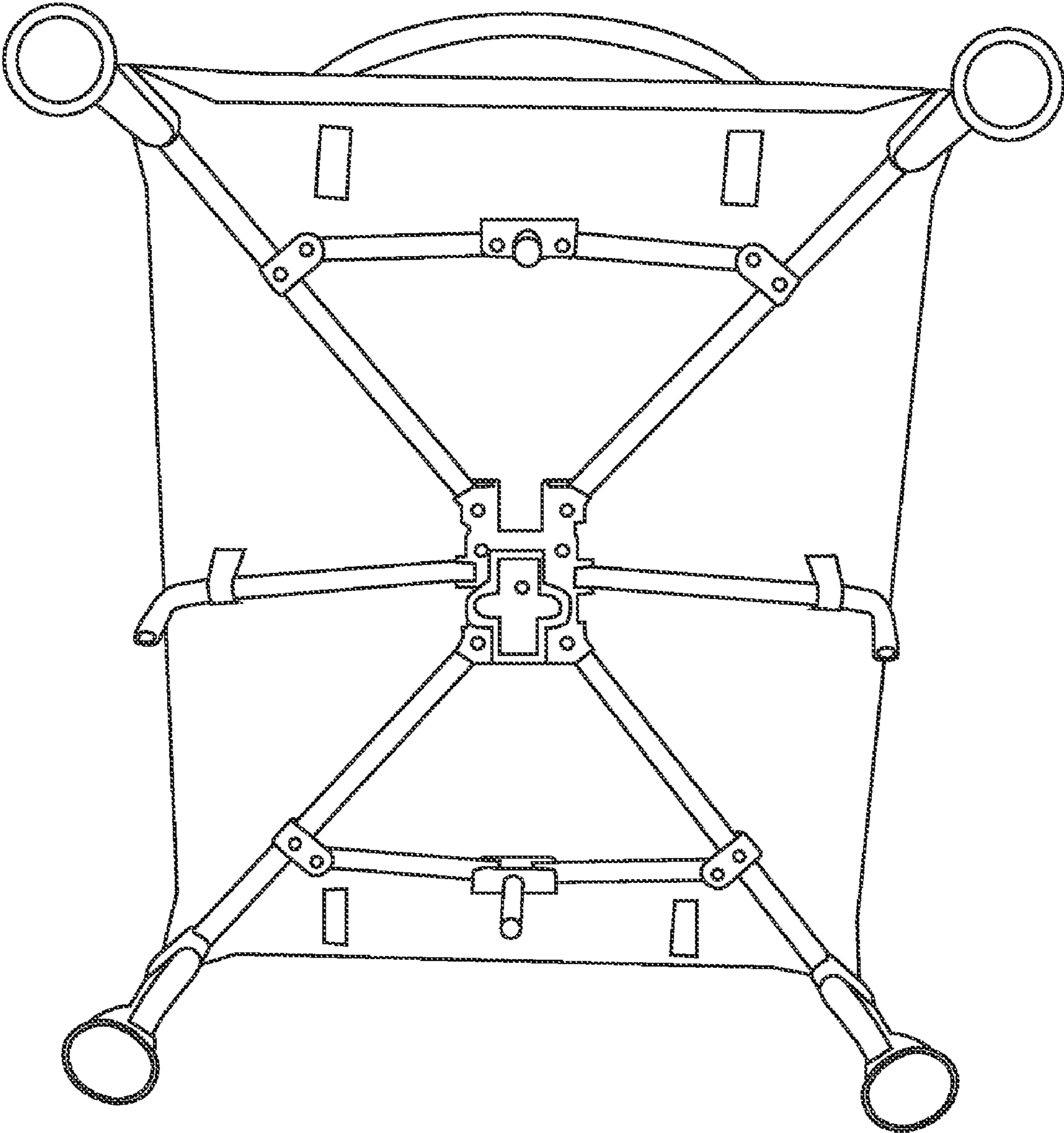


Fig. 4

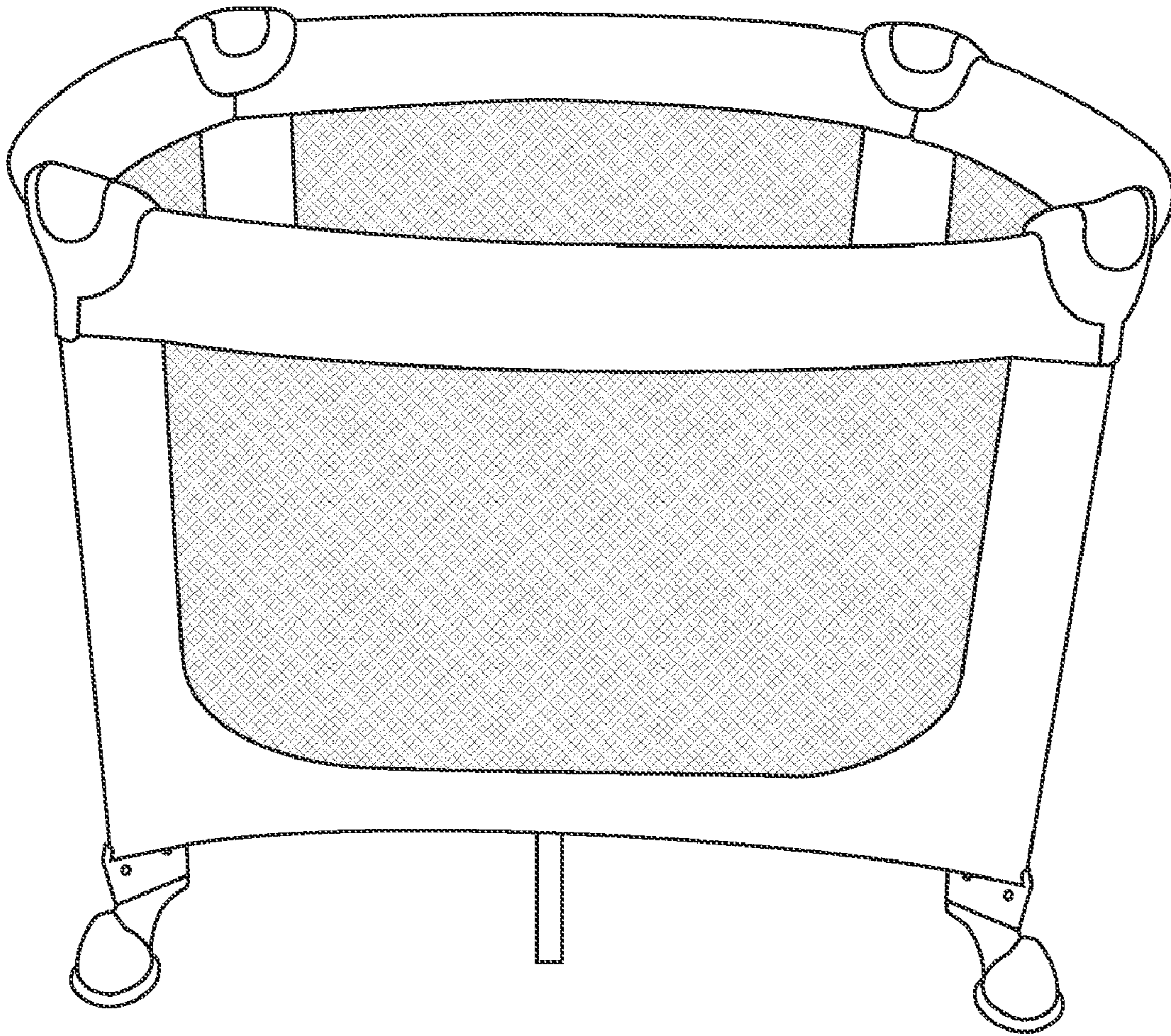


Fig. 5

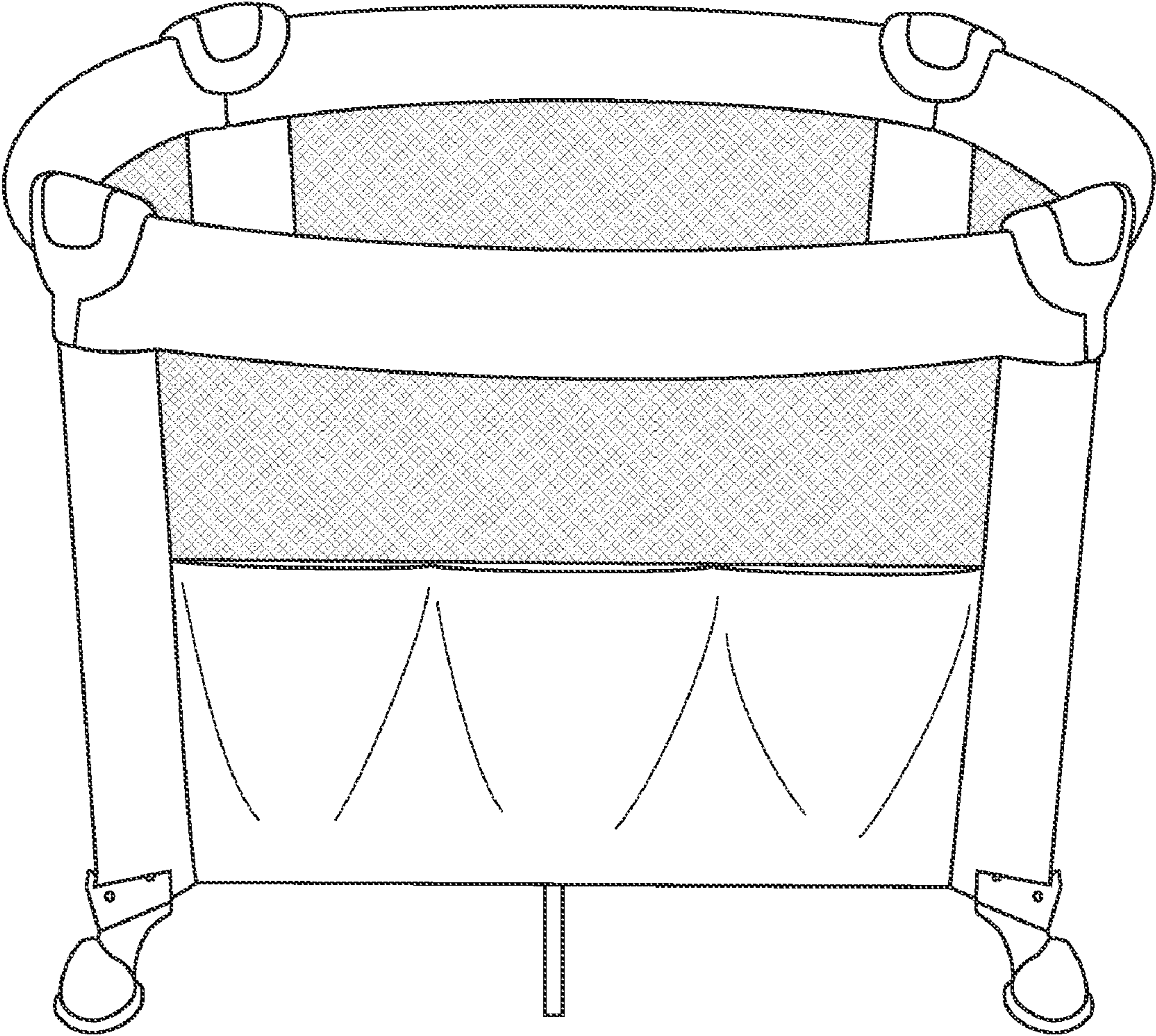


Fig. 6

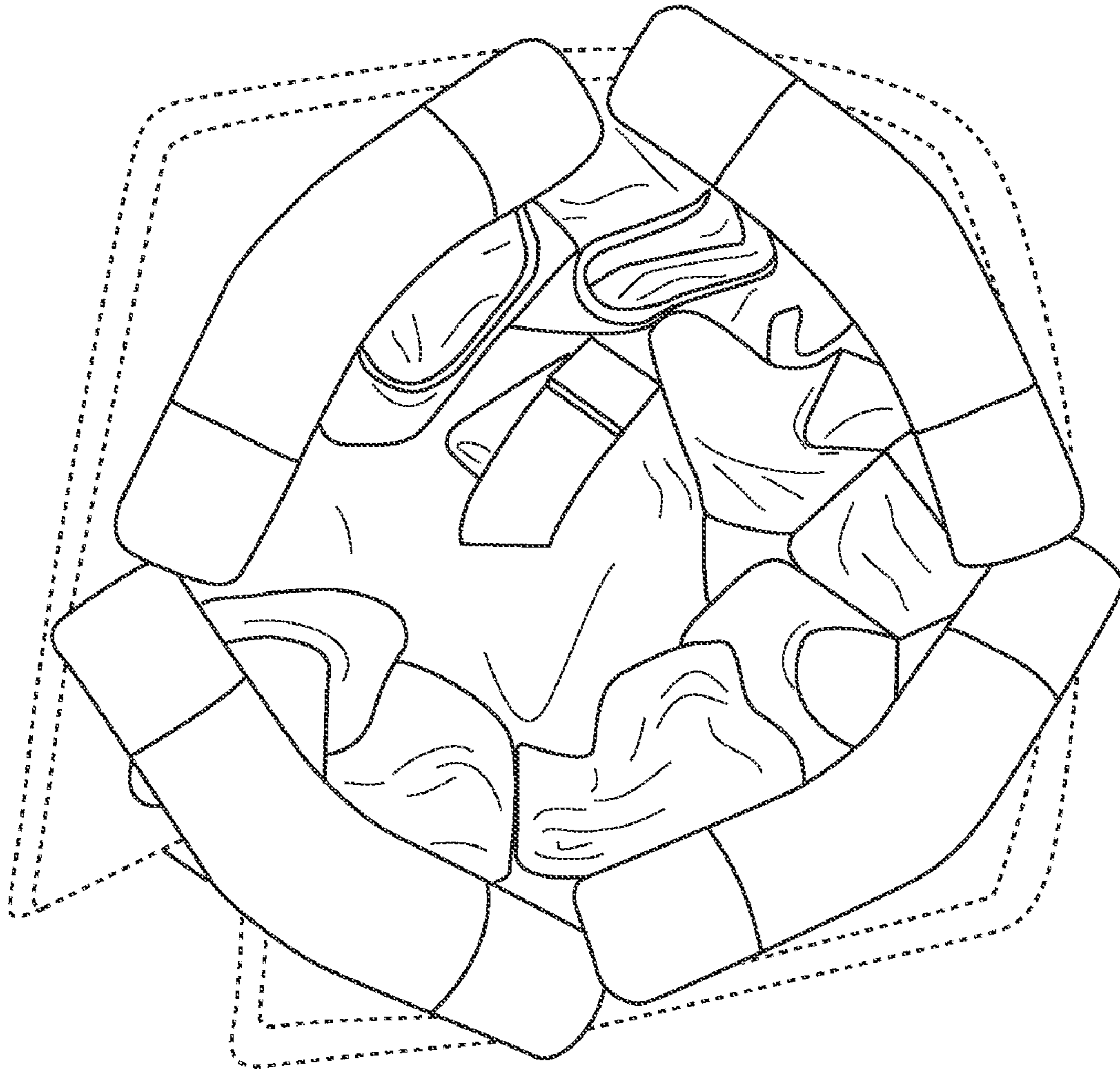


Fig. 7