



US00D580662S

(12) **United States Design Patent**
Varela

(10) **Patent No.:** **US D580,662 S**
(45) **Date of Patent:** **** Nov. 18, 2008**

(54) **CLOTHES HANGER**

(76) Inventor: **Raul Castellanos Varela**, la, Cerrada De Fuente De Leones No. 127, Huixquilucan, Estate De Mexico (MX)

(**) Term: **14 Years**

(21) Appl. No.: **29/259,738**

(22) Filed: **May 15, 2006**

Related U.S. Application Data

(63) Continuation of application No. 29/168,291, filed on May 3, 2004, now abandoned.

(30) **Foreign Application Priority Data**

Nov. 3, 2003 (MX) PA/F/2003/001271

(51) **LOC (8) Cl.** **06-08**

(52) **U.S. Cl.** **D6/317**

(58) **Field of Classification Search** D6/315, D6/317, 319, 323, 325; 206/9, 278; 211/113, 211/118, 119, 181.1, 34; 223/85-98

See application file for complete search history.

(56) **References Cited**

U.S. PATENT DOCUMENTS

2,221,659 A * 11/1940 Wilkie 211/119
4,673,116 A * 6/1987 Keller 223/94
D296,958 S * 8/1988 Dallaire et al. D6/317
5,806,727 A * 9/1998 Joseph 223/85

D440,053 S * 4/2001 Richter D6/317
D448,937 S * 10/2001 Okolowicz D6/317
D481,208 S * 10/2003 Scola D6/317
6,811,063 B2 * 11/2004 Hachtel et al. 223/85

* cited by examiner

Primary Examiner—Stella M. Reid

Assistant Examiner—Shanda C. Hill

(74) *Attorney, Agent, or Firm*—Leydig, Voit & Mayer, Ltd

(57) **CLAIM**

The ornamental design for a clothes hanger, as shown and described.

DESCRIPTION

FIG. 1 is a perspective view of a clothes hanger showing my new design;

FIG. 2 is a rear view thereof;

FIG. 3 is a front view thereof;

FIG. 4 is a top view thereof;

FIG. 5 is a right-side view thereof;

FIG. 6 is a left-side view thereof;

FIG. 7 is a top perspective view thereof;

FIG. 8 is a rear perspective view thereof; and,

FIG. 9 is a bottom view thereof.

The broken lines shown in the drawing disclosure are for illustrative purposes only and form no part of the claimed design.

1 Claim, 8 Drawing Sheets

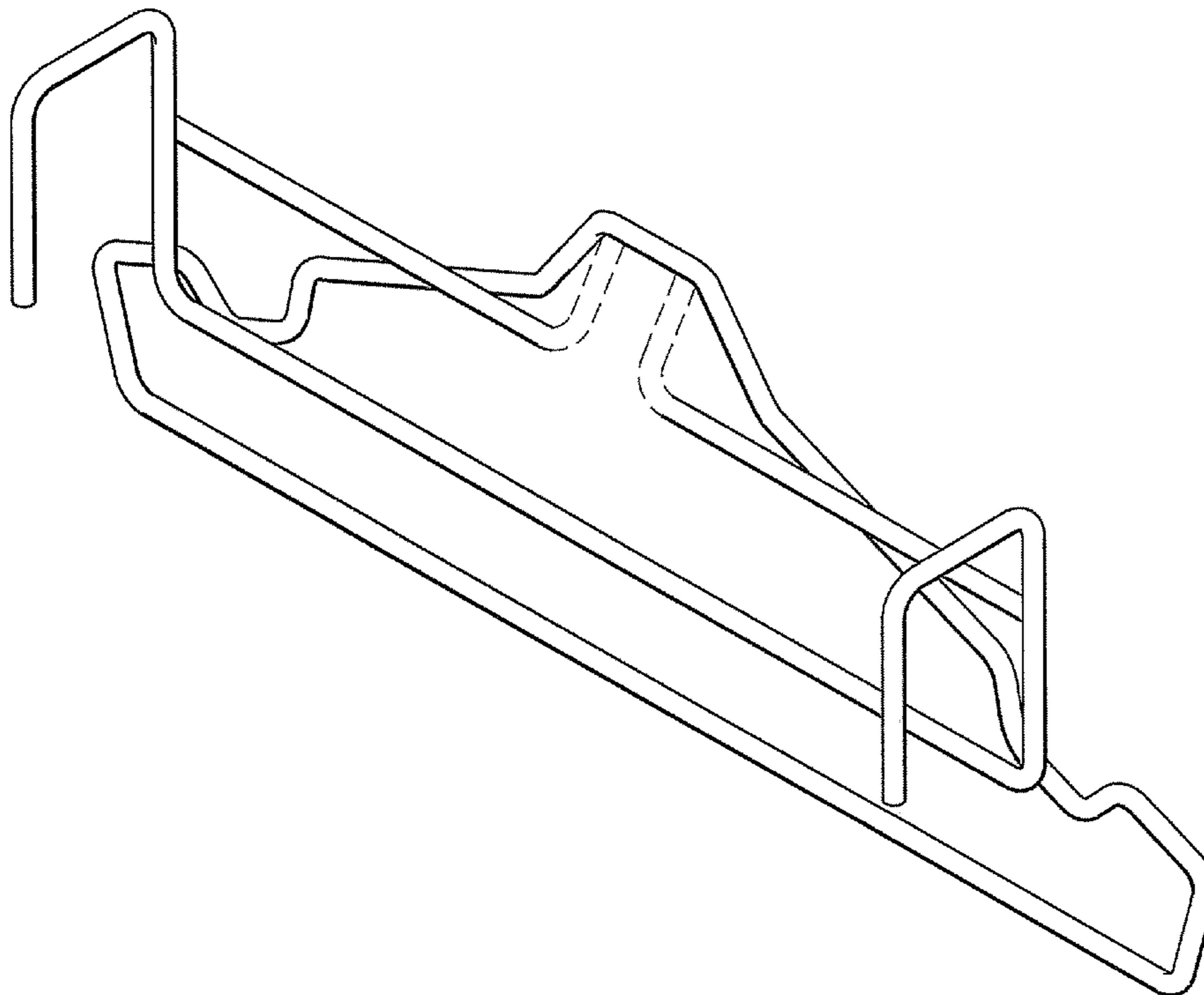


FIG. 1

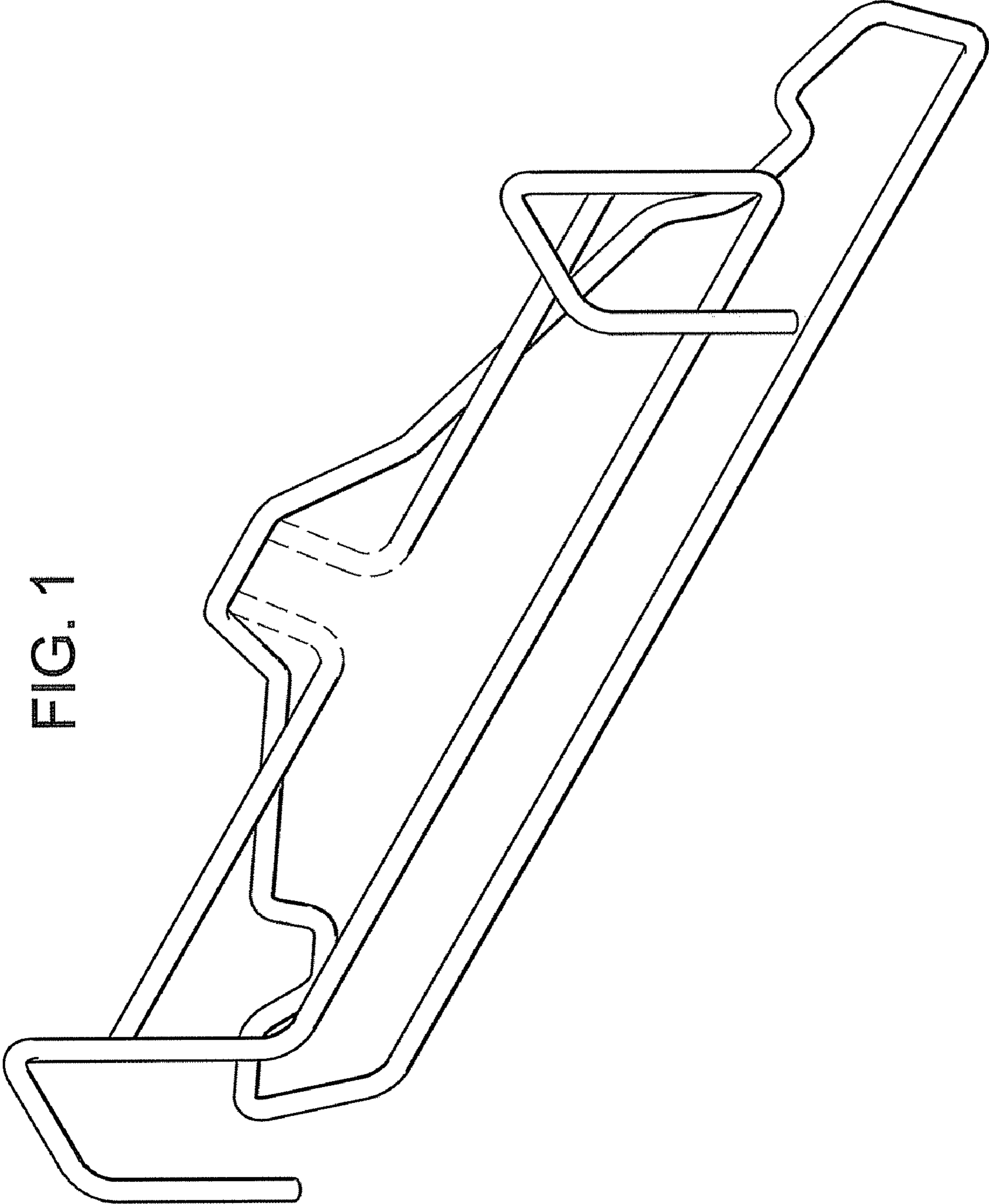


FIG. 2

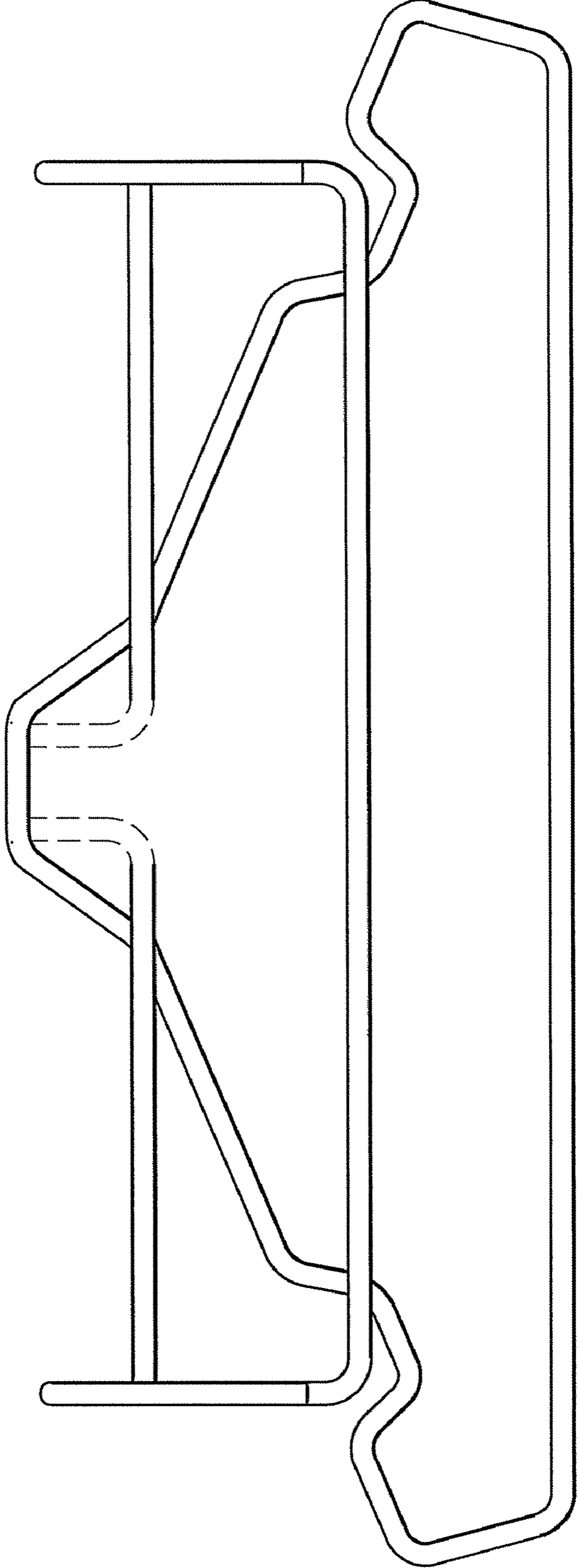


FIG. 3

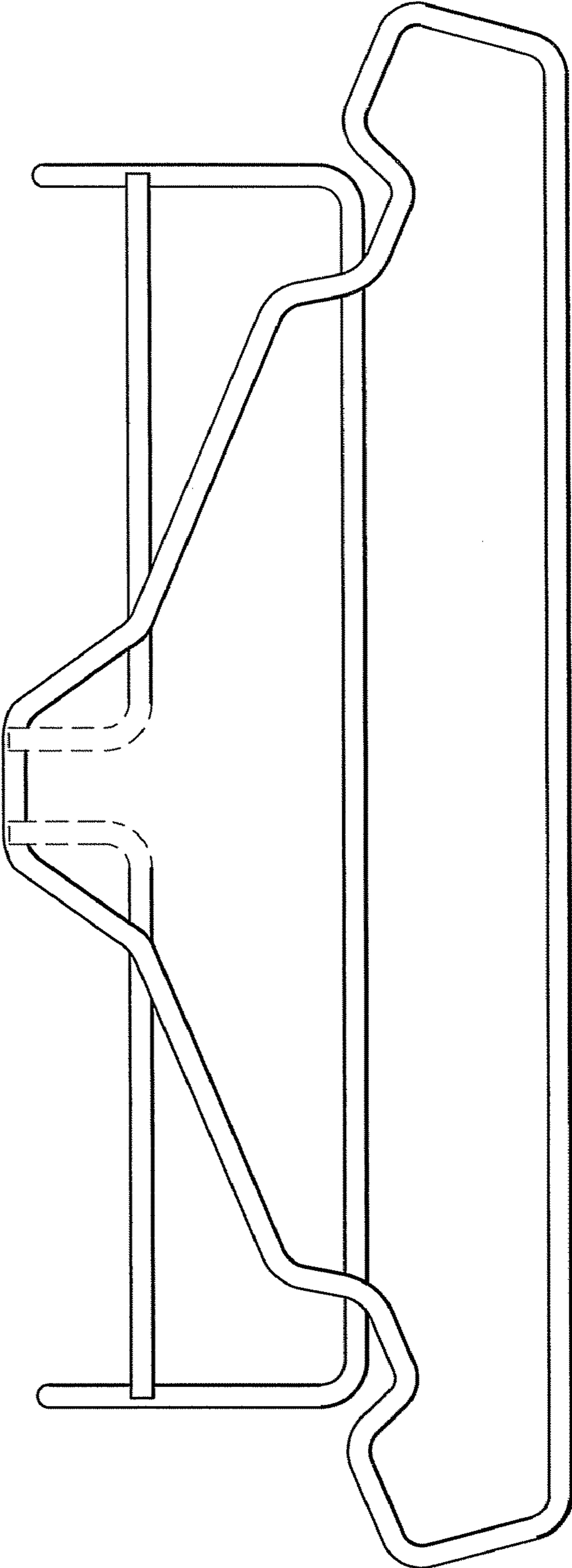


FIG. 4

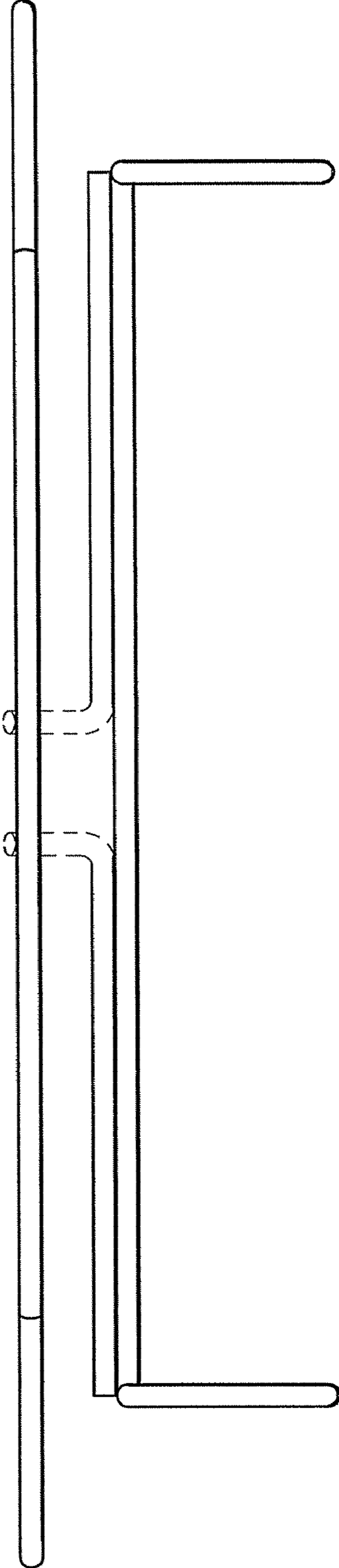


FIG. 6

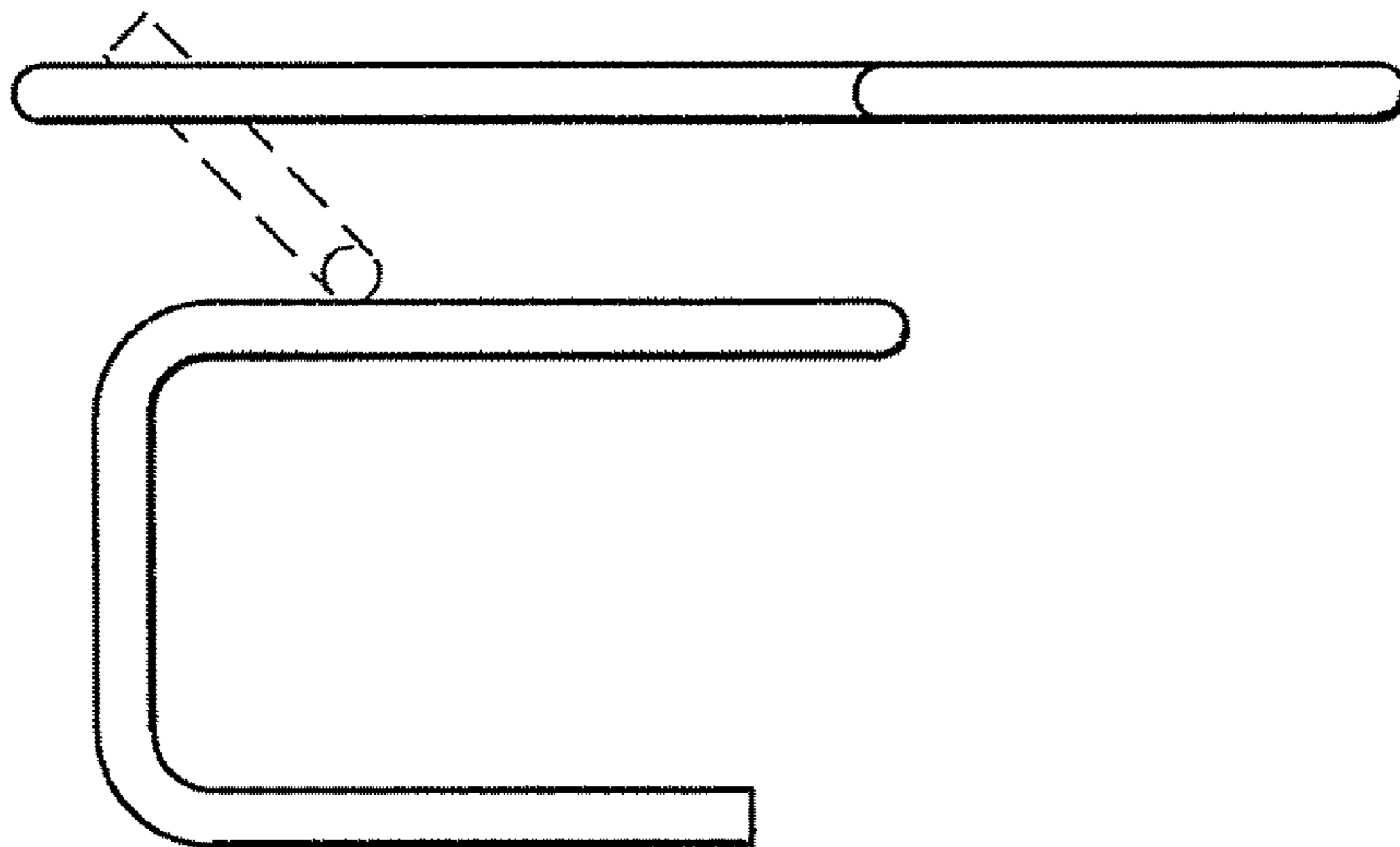


FIG. 5

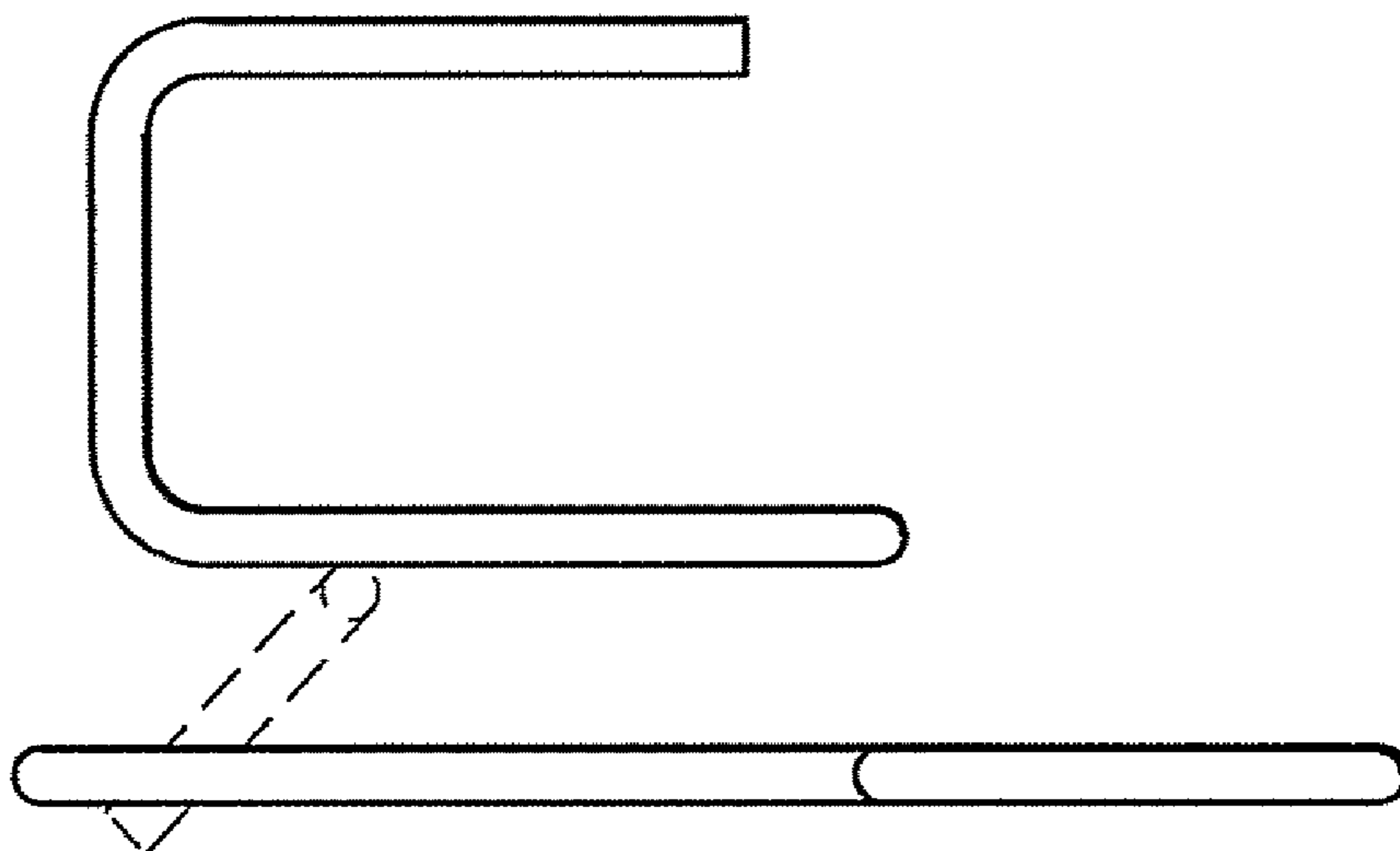


FIG. 7

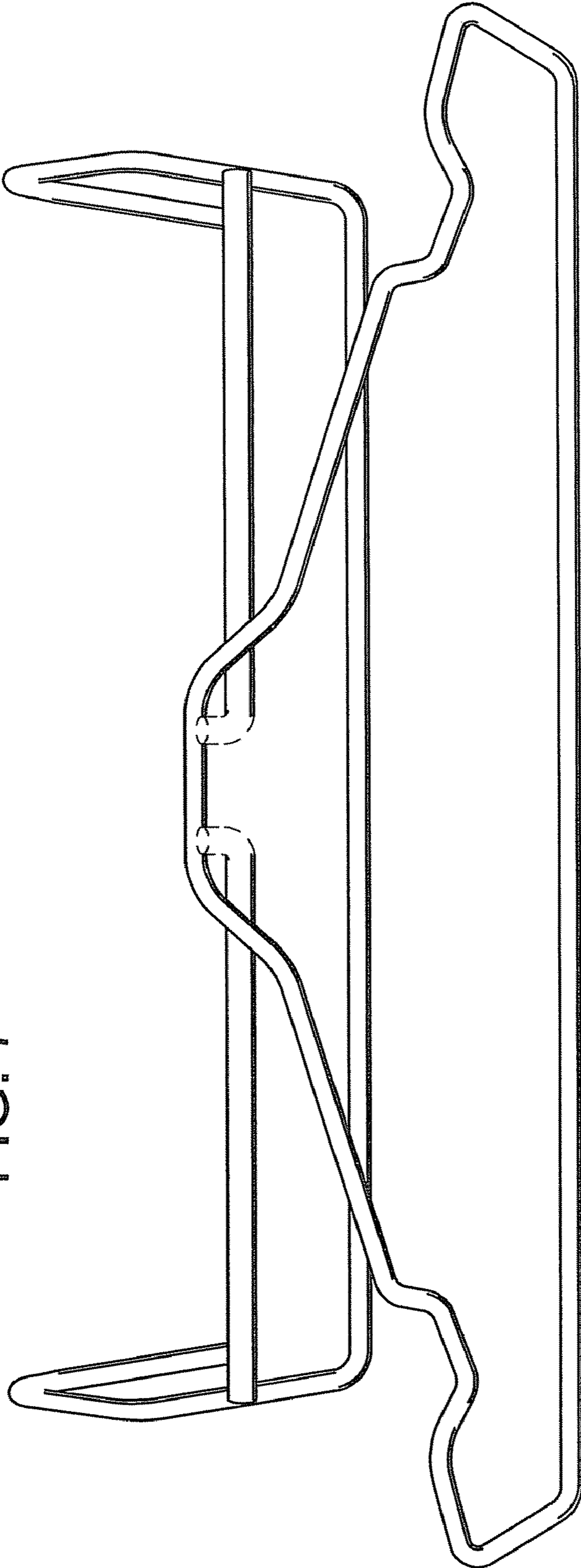


FIG. 8

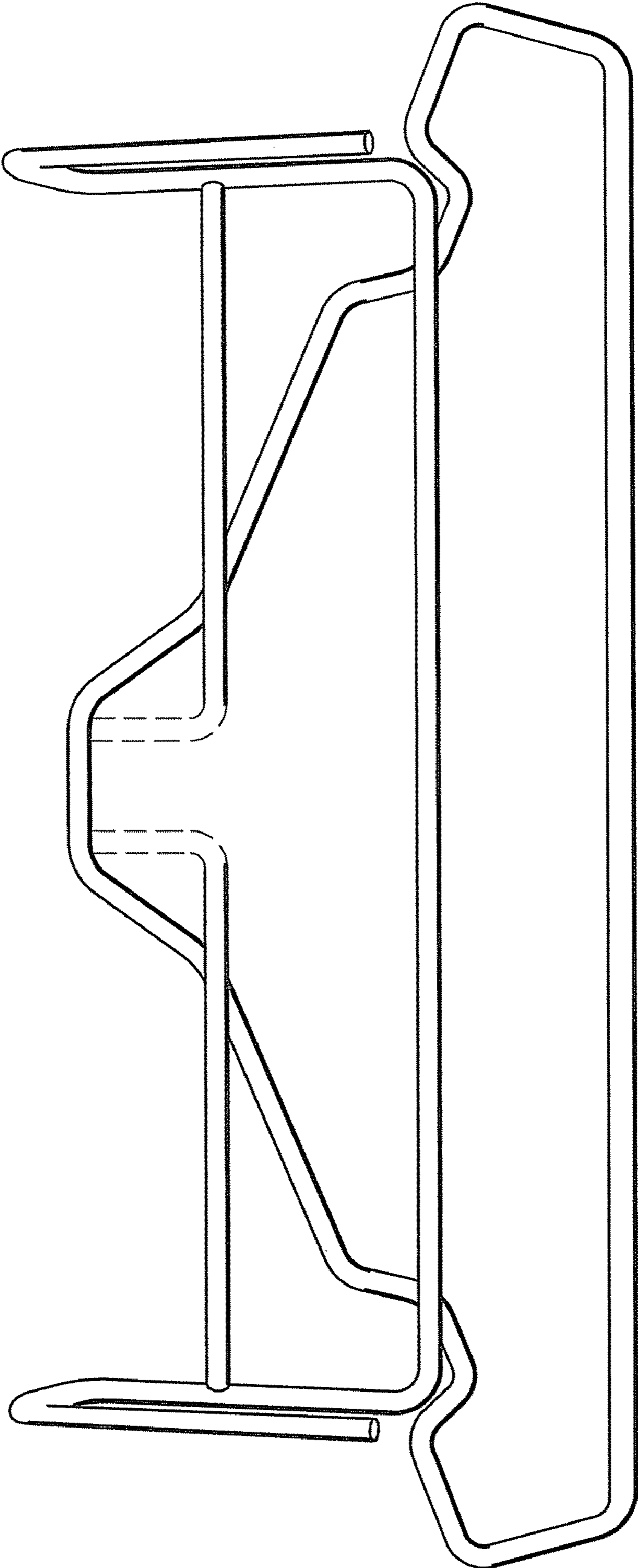


FIG. 9

