



US00D580656S

(12) **United States Design Patent**
Quartarone et al.

(10) **Patent No.:** **US D580,656 S**
(45) **Date of Patent:** **** Nov. 18, 2008**

(54) **GOLF BAG DIVIDER TOP**

(75) Inventors: **Frank A. Quartarone**, Phoenix, AZ
(US); **Douglas W. Anderson**, Phoenix,
AZ (US)

(73) Assignee: **Karsten Manufacturing Corporation**,
Phoenix, AZ (US)

(**) Term: **14 Years**

(21) Appl. No.: **29/282,483**

(22) Filed: **Jul. 20, 2007**

Related U.S. Application Data

(63) Continuation of application No. 29/278,968, filed on
Apr. 16, 2007, now Pat. No. Des. 557,502.

(51) **LOC (8) Cl.** **03-01**

(52) **U.S. Cl.** **D3/320**

(58) **Field of Classification Search** D3/318,
D3/319, 320, 321, 328, 328.1, 254, 255;
150/159, 160; 211/70.2; 206/315.2, 315.3,
206/315.4, 315.5, 315.6, 315.7, 315.8; 216/315.11;
280/DIG. 6; 473/287

See application file for complete search history.

(56) **References Cited**

U.S. PATENT DOCUMENTS

D382,707 S * 8/1997 Wang D3/255
5,671,843 A 9/1997 Sutter
D389,311 S * 1/1998 Wang D3/320
5,871,093 A 2/1999 Sutter
5,971,147 A 10/1999 Sutter
6,076,245 A 6/2000 Sutter
6,149,000 A * 11/2000 Kim 206/315.6

D454,249 S * 3/2002 Schmidt D3/320
6,595,357 B2 7/2003 Sutter et al.
D513,876 S 1/2006 Solheim et al.
D513,877 S 1/2006 Solheim et al.
D513,878 S 1/2006 Anderson et al.
D520,752 S 5/2006 Solheim et al.
D522,754 S 6/2006 Anderson
D530,922 S 10/2006 Anderson
D538,042 S 3/2007 Suggs
D544,210 S * 6/2007 McGuire et al. D3/320

* cited by examiner

Primary Examiner—Louis S Zarfaz

Assistant Examiner—Kathleen M Sims

(74) *Attorney, Agent, or Firm*—Darrell F. Marquette

(57) **CLAIM**

The ornamental design for a golf bag divider top, as shown
and described.

DESCRIPTION

FIG. 1 is a perspective view of a golf bag divider top showing
our new design;

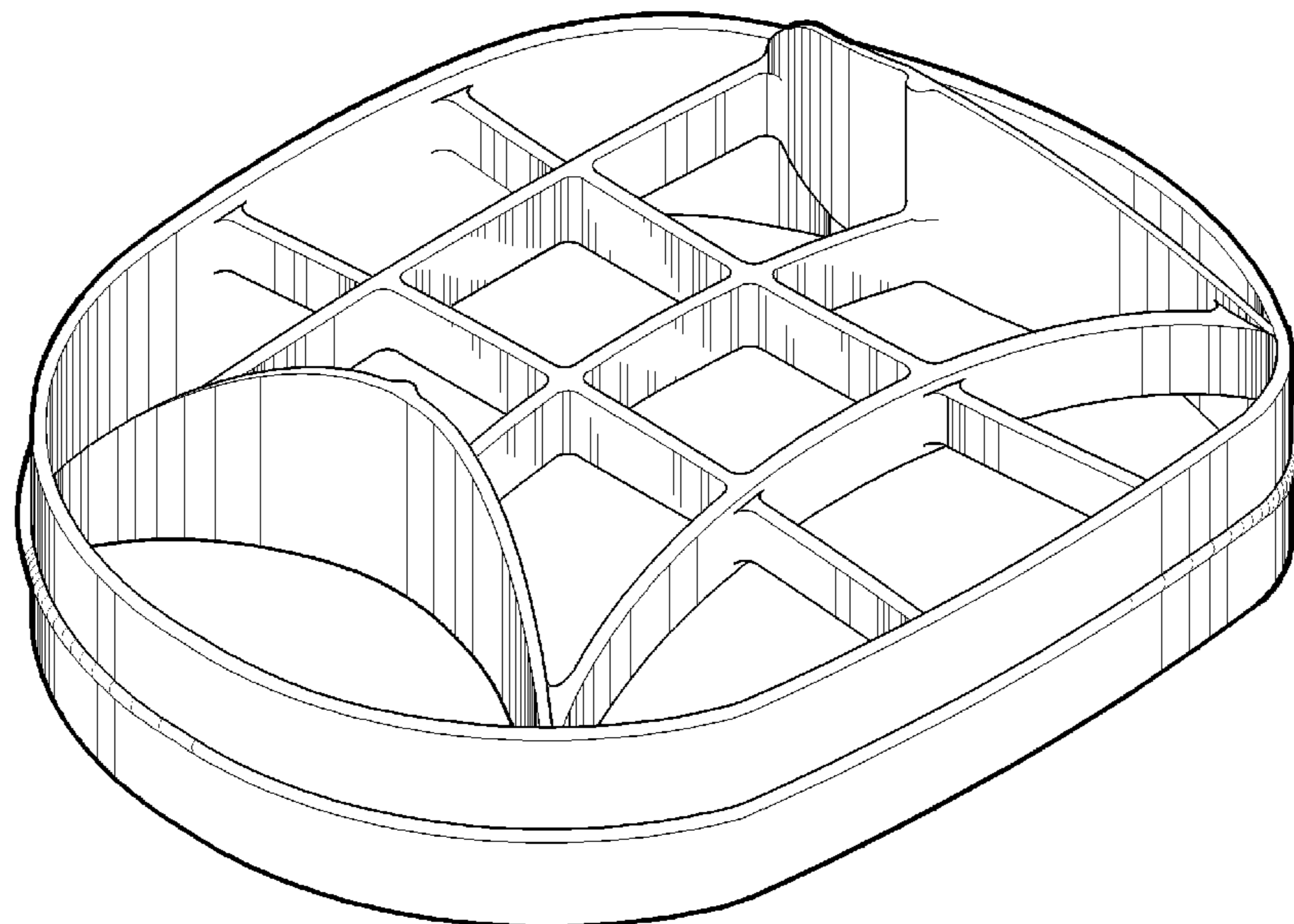
FIG. 2 is a top view of the golf bag divider top shown in FIG.
1;

FIG. 3 is a bottom view of the golf bag divider top shown in
FIG. 1.

FIG. 4 is end view of the golf bag divider top taken from the
top in FIG. 2, the end view taken from the bottom in FIG. 2
being identical; and,

FIG. 5 is a side view of the golf bag divider top taken from the
right in FIG. 2, the side view taken from the left in FIG. 2
being identical.

1 Claim, 4 Drawing Sheets



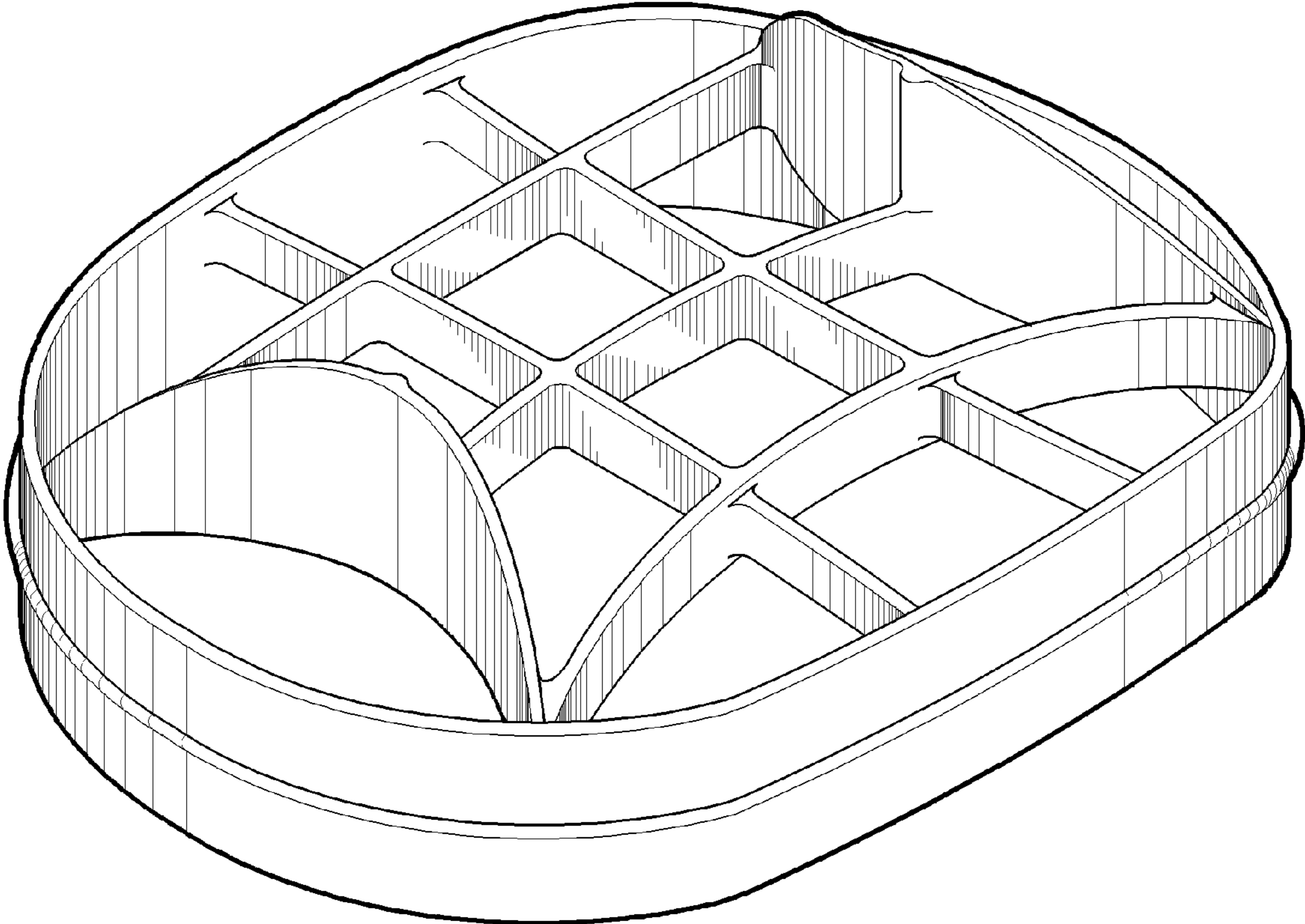


Fig. 1

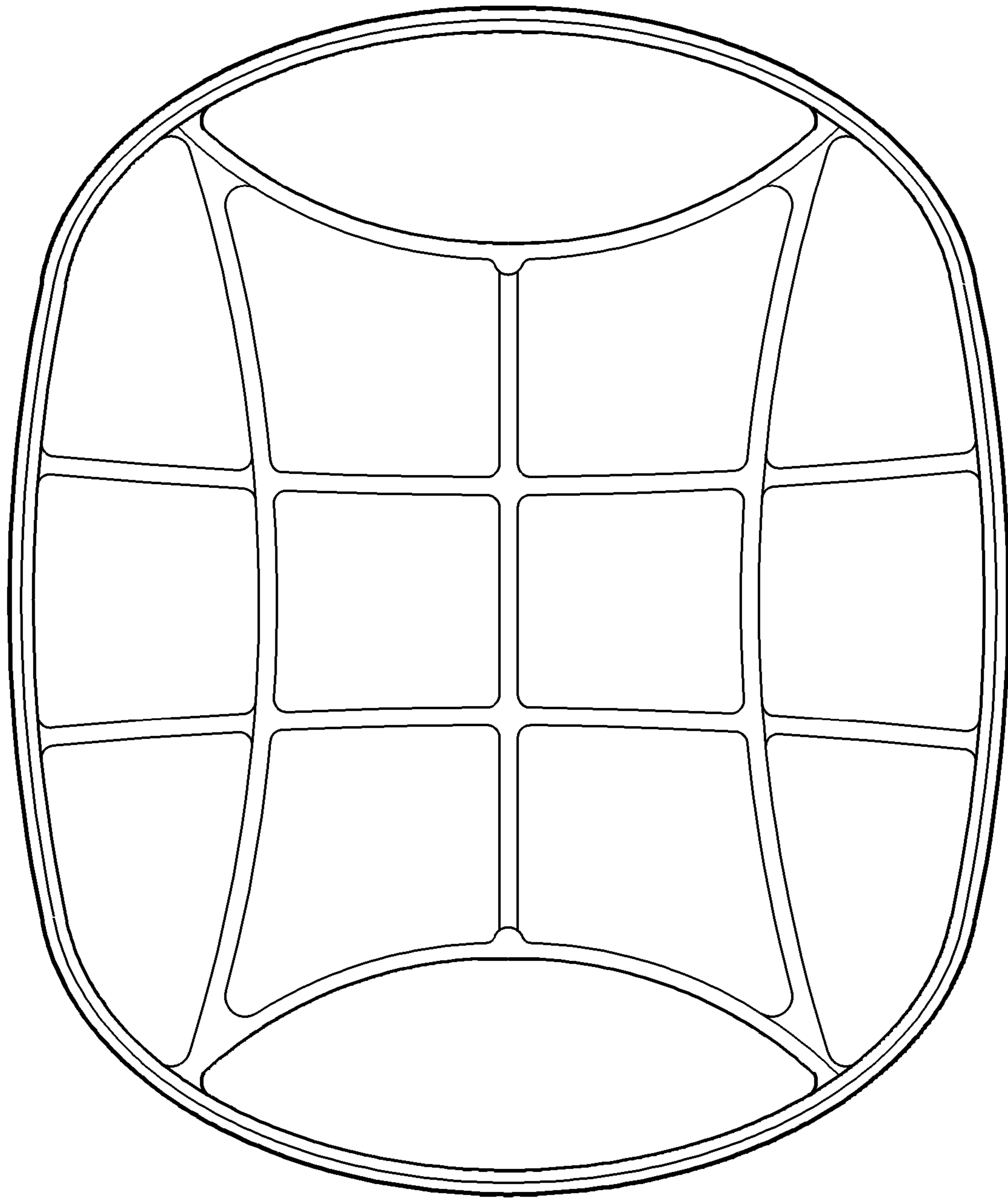


Fig. 2

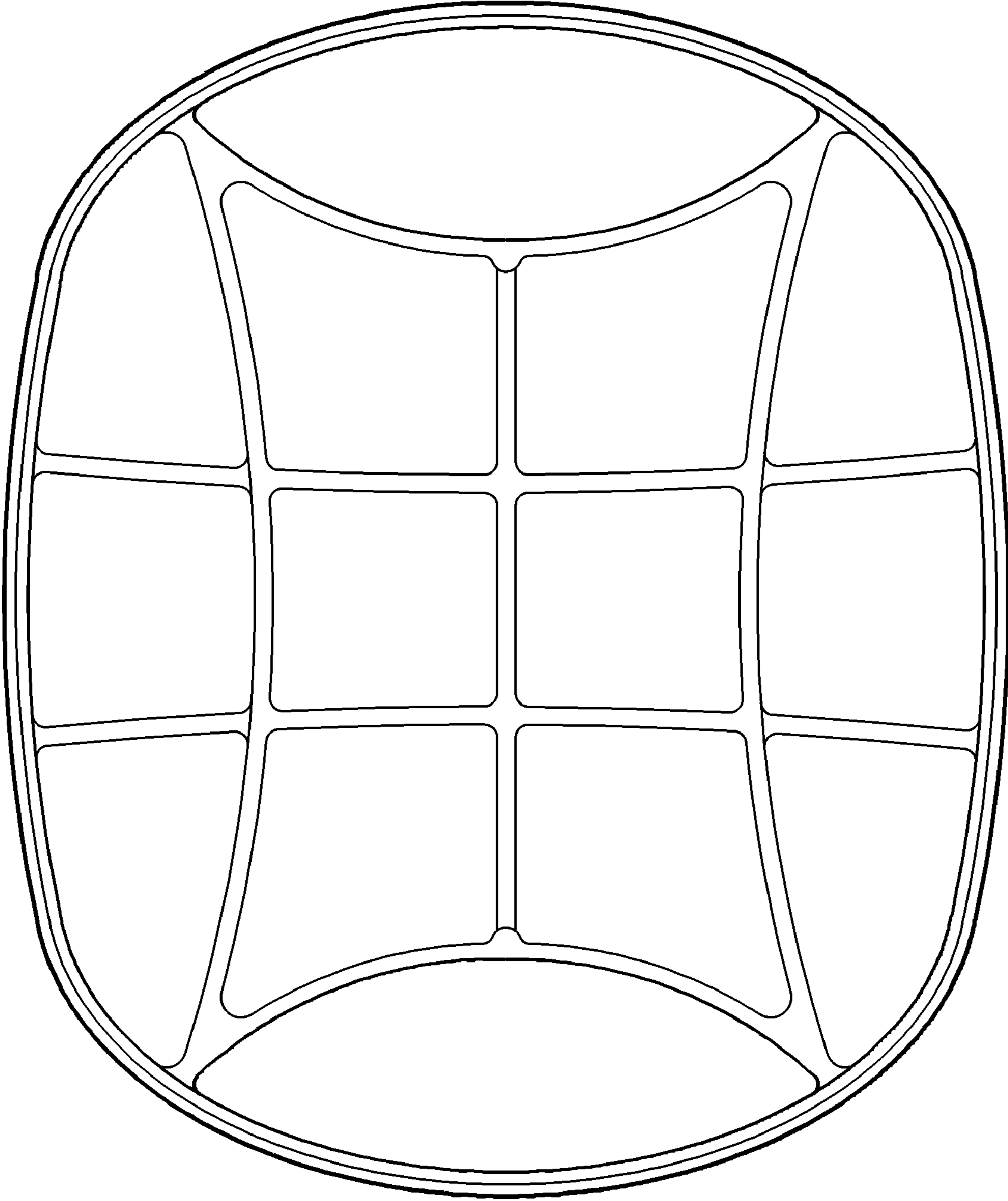


Fig. 3

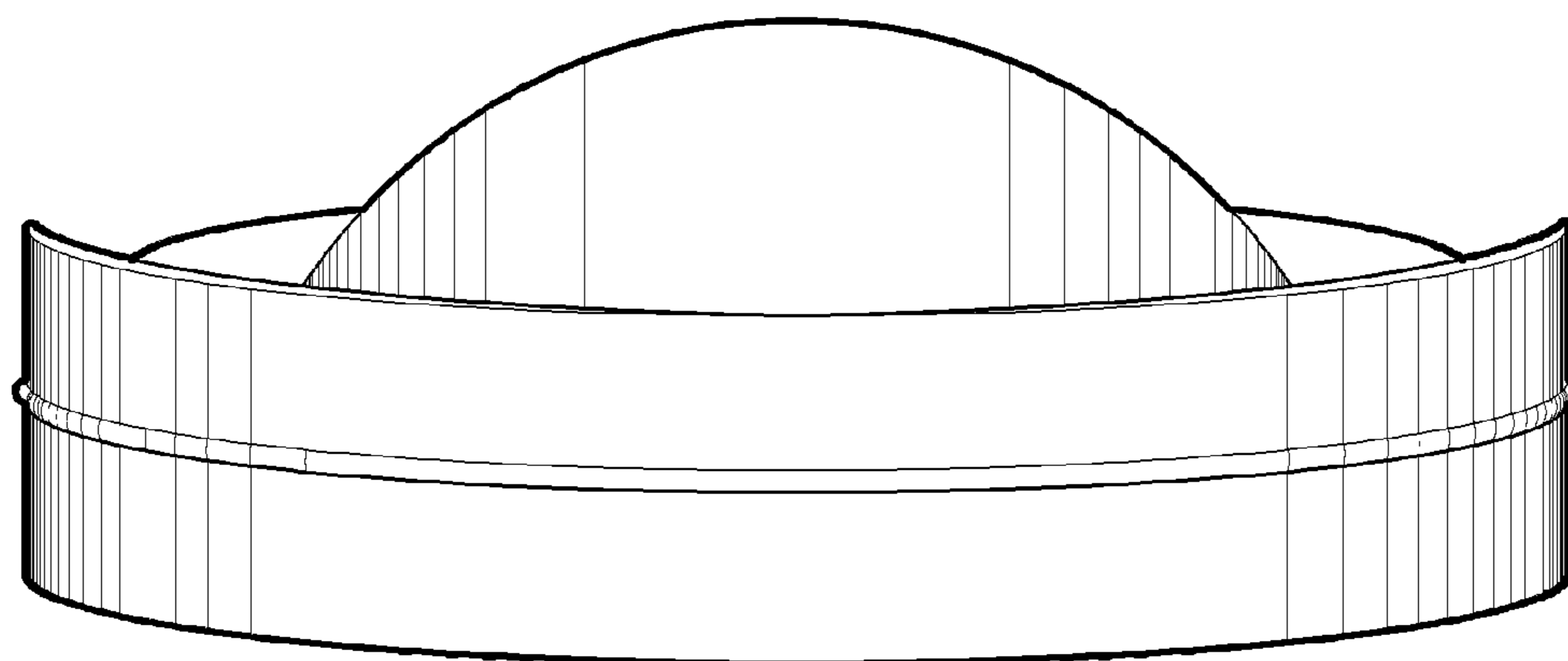


Fig. 4

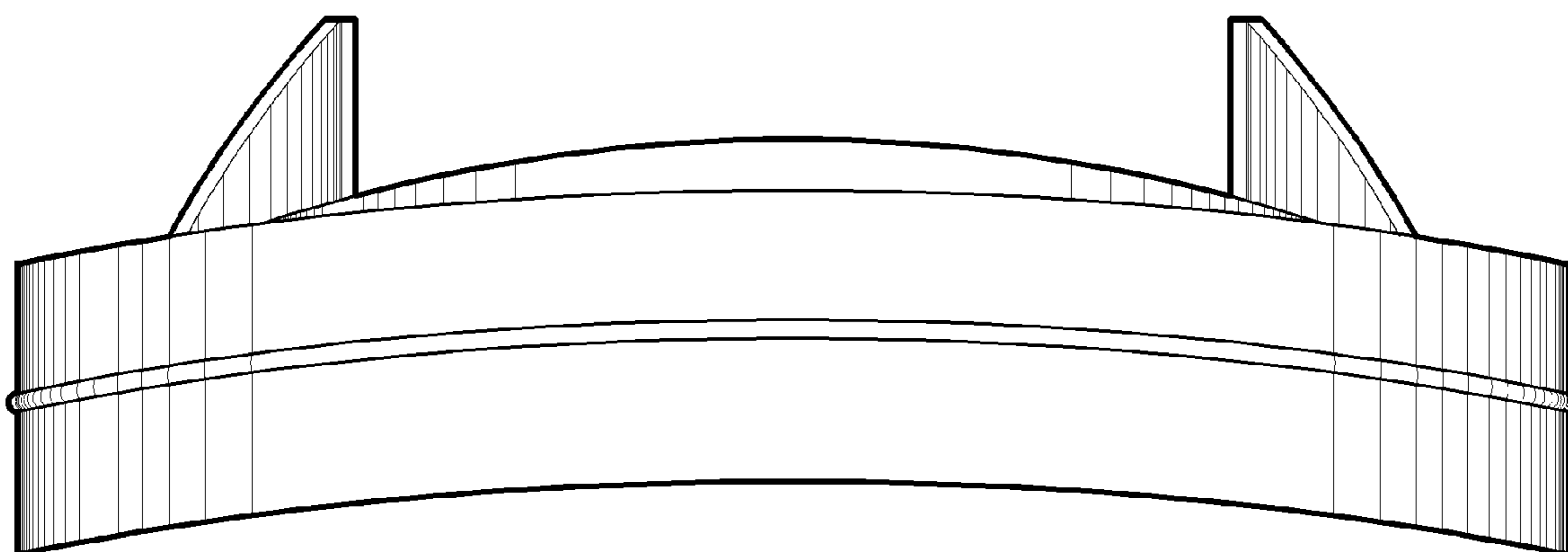


Fig. 5